

Архангельск (8182)63-90-72
Астана (7172)727-132
Астрахань (8512)99-46-04
Барнаул (3852)73-04-60
Белгород (4722)40-23-64
Брянск (4832)59-03-52
Владивосток (423)249-28-31
Волгоград (844)278-03-48
Вологда (8172)26-41-59
Воронеж (473)204-51-73
Екатеринбург (343)384-55-89
Иваново (4932)77-34-06

Ижевск (3412)26-03-58
Иркутск (395)279-98-46
Казань (843)206-01-48
Калининград (4012)72-03-81
Калуга (4842)92-23-67
Кемерово (3842)65-04-62
Киров (8332)68-02-04
Краснодар (861)203-40-90
Красноярск (391)204-63-61
Курск (4712)77-13-04
Липецк (4742)52-20-81
Киргизия (996)312-96-26-47

Магнитогорск (3519)55-03-13
Москва (495)268-04-70
Мурманск (8152)59-64-93
Набережные Челны (8552)20-53-41
Нижний Новгород (831)429-08-12
Новокузнецк (3843)20-46-81
Новосибирск (383)227-86-73
Омск (3812)21-46-40
Орел (4862)44-53-42
Оренбург (3532)37-68-04
Пенза (8412)22-31-16
Казахстан (772)734-952-31

Пермь (342)205-81-47
Ростов-на-Дону (863)308-18-15
Рязань (4912)46-61-64
Самара (846)206-03-16
Санкт-Петербург (812)309-46-40
Саратов (845)249-38-78
Севастополь (8692)22-31-93
Симферополь (3652)67-13-56
Смоленск (4812)29-41-54
Сочи (862)225-72-31
Ставрополь (8652)20-65-13

Сургут (3462)77-98-35
Тверь (4822)63-31-35
Томск (3822)98-41-53
Тула (4872)74-02-29
Тюмень (3452)66-21-18
Ульяновск (8422)24-23-59
Уфа (347)229-48-12
Хабаровск (4212)92-98-04
Челябинск (351)202-03-61
Череповец (8202)49-02-64
Ярославль (4852)69-52-93

<https://ocean.nt-rt.ru> || onc@nt-rt.ru

КАТАЛОГ

COLLECTION



PRICES



TECHNICAL
DATA



SPARE PARTS



CONTENT

WHITE GOODS ABS & SS316

- 46 Ocean® White Goods
- 62 Smart ABS White Goods
- 62 Smart stainless steel White Goods
- 70 Under water lights and accessories
- 84 Smart Jet streams
- 88 Dimensions/Drawings



FILTER & FILTER MEDIA

- 110 Polyester filter (privat)
- 117 Polyester filter (commercial)
- 122 PPGF filter (side mount)
- 125 PPGF filter (top mount)
- 127 Filter glass, filter sand, Anthrasit



PUMPS

- 134 Smart swimming pool pump E.Pro
- 136 Smart swimming pool pump EuroPro
- 137 Smart filter pump Series M
- 138 Smart filter pump Series W
- 139 Smart filter pump Series K
- 140 Smart EO swimming pool pump
- 141 Smart Power filter pump



BACKWASH VALVES

- 146 Backwash valves automatic
- 160 Backwash valves manual



CONTROLS

- 176 Pool controls
- 183 Niveau-, temperature controls
- 186 Solar controls



AUTOMATIC VALVES

- 196 Automatic ball valves
- 205 Automatic butterfly valve
- 209 Automatic diaphragm valve



PVC PRODUCTS & SOLVENT CEMENTS	214	Valves					
	247	Pipes					
	253	Fittings					
	281	Solvents, cleaner					
	285	FlexFit® fittings					
	292	FlexFit® hoses					
POOL HEATING & DEHUMIDIFIERS	298	Heat pumps					
	304	PE absorber					
	307	Smart heat exchanger					
	304	Smart dehumidifier					
MEASURE, CONTROL AND DOSING SYSTEMS	312	Salt electrolysis systems					
	323	Measure and control systems					
	327	UV systems					
SWIMMING POOL LINER & BRICK STONES	332	Ocean® swimming pool liners					
	336	Accessories					
	338	Smart polystyrene bricks					
CLEANING & WATER TREATMENT	344	Cleaning Accessories					
	364	Water treatment					
	364	Water testing					
PRODUCTS FOR NATURAL POOLS	372	White goods for natural pools					
	377	Ocean® liner for natural pools					
	378	Cleaning accessories					
SPARE PARTS	382						
TERMS & CONDITIONS	479						

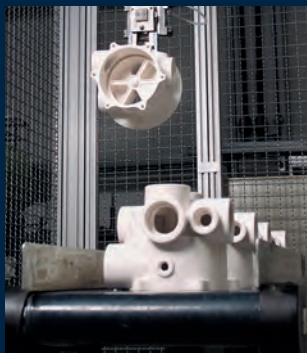




Customer pool: OMNIA Bali



Constant investment in the latest production technologies ensures that Praher Plastics® will continue its cost-efficient development to top-quality products in Austria in the future.



High level of automation in all production processes



Electric installation equipment on highest level



Fully automatic high rack systems for quick delivery



PRAHER PLASTICS® Injection Moulding -



QUALITY MANAGEMENT

Exact control tools and sensitive test equipments are a matter of course for the production of high-quality plastic products. Newest 3D measuring facilities ensure quality demands already during the production process. Additionally to that these demands are reached by the quality oriented policy of the management as well as the strong regulations of EN ISO 9001:2000.



DEVELOPMENT

The major simulation software for the design of tools and injection moulding processes used by Praher is the "Pro Engineer" suite. The importing of all current CAD data modes is supported.



TOOL CONSTRUCTION

A modern machinery for high quality metal work supports our specially qualified staff. Unusual technical methods can be integrated and supplied early in the production process by specialised information and experienced management.



INJECTION MOULDING

The application of the most modern technologies, supported by the immediate geographical proximity for the world's largest producer of high quality injection moulding equipment guarantees the best results. All modern thermoplastics and thermoelastics are used for the production. Special requirements such as PVC or PVDF are handled in separate production zones.



MECHANICAL FINISHING

The mechanical processing of plastic parts, for instant speres, is possible by application of a multitude of precision devices and diversified technical know-how of our highly qualified staff.



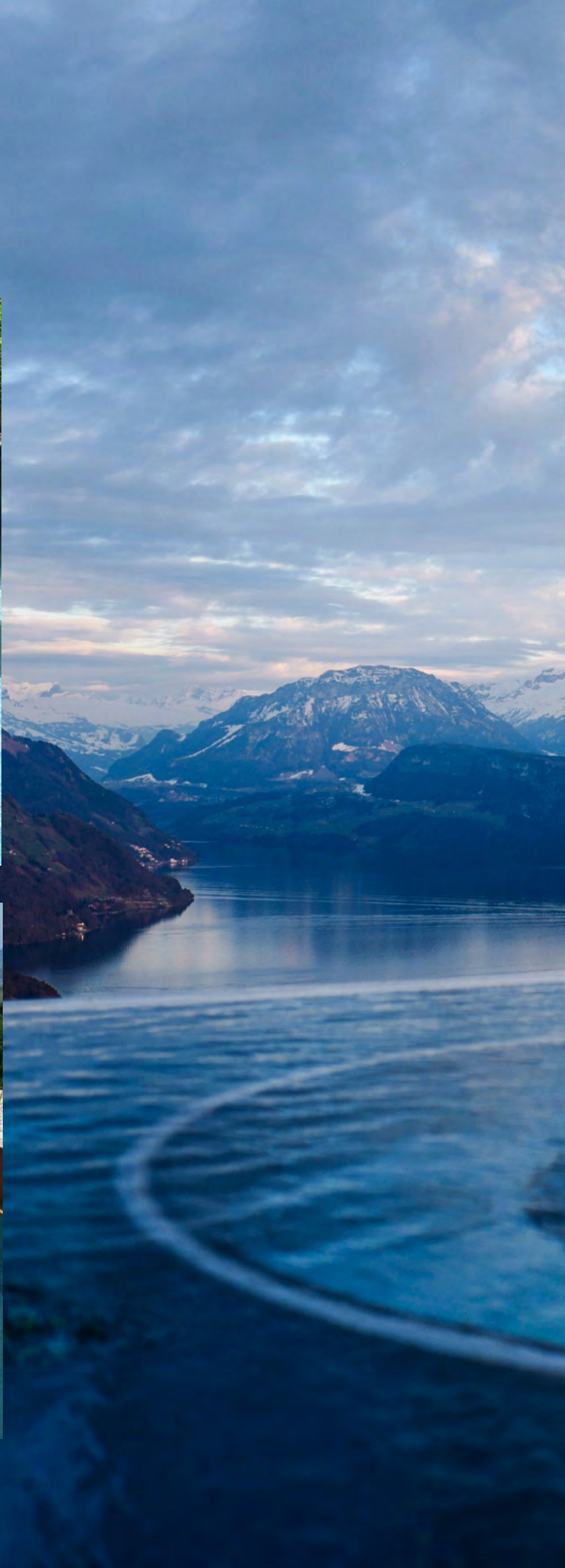
FINAL ASSEMBLY

The Praher Plastics® inhouse developed and constructed robotic systems guarantee an efficient assembly, perfect combination of various parts and materials



LOGISTICS

Finally, Praher Plastics® is responsible for packing, storage and deliver of the products.









Fa. Sailer

Kitzbühl, Austria - Hydrobalance

BRANDS

ocean[®]

Swimming pool accessories with manual and automatic function for the optimal and economic maintenance for various pool types, a complete assortment of high-quality ABS and V4A pool components in various colours and system variations fulfil all desires and necessities for the pool trade.



NEW PRODUCTS 2019



Ocean® Skimmer M5 deluxe
High 75 with V4A extension

page 46



Smart Skimmer High50
ABS white

page 47



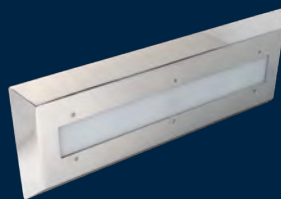
Ocean® Skimmer PT deluxe in
ABS Grau & 6° width extension

page 48



Adagio Spectra 17

page 70



Smart Magic LED
under water light

page 79



Ocean® swimming pool liner
TOUCH in silver

page 334



Smart skimmer V4A 40 with
frontal removeable basket

page 62



Smart brick stone 500mm

page 338



Smart jet stream DUNA

page 86



Customer pool with Ocean® swimming pool liner deluxe – Haogenplast





Customer pool: highest Invinity Pool in the Hoang Lien National Park in Vietnam







POOLED INTELLIGENCE **4.0**

Digital Change and digitalization have long since entered the pool industry. Real-time data on temperature, salinity, pH and chlorine values readable on the mobile devices are no longer a dream of the future. Time for us to step into this dream and make it to a real-life wonderland.

iQ - an exquisite range of intelligently networked pool components for smart and easy pool control to ensure the highest level of safety, sustainability and cleanliness for your pool project.

ENJOY

SAFETY

... provided with our sophisticated pool control solutions with real-time built-in alarms, if one of your set pool parameters indicate deviations. Automatic backflushing with Aquastar® Comfort Safety Pack guarantees the most secure way to protect your pool filter against overpressure and to initiate an automatic backflush in time. The integration of video surveillance solutions of your pool system, using integrated Loxone technology is another factor of safety for families and friends. Just sit back and know that mature Peraqua® pool technology takes care of safety at the pool.



CLEANLINESS

... means for us to ensure reliable hygiene and cleanliness in your pool with our well-coordinated components of the iQ pool controls. Continuously clean pool water is a principle for efficient pool usage and sustainable water treatment.



SUSTAINABILITY

... means for us to use only the highest quality materials with an above-average service life for our product range in an environmentally friendly manner. This guarantees the highest possible energy savings through full inverter technology for smart heat pumps and filter pumps, reduction of the use of chemicals and the quietest possible operation of your pool system. For the good of the environment and the next generations.





Visualization of the pool control in the Loxone App

Loxone Miniserver

Loxone Auqstar Air pool control

Starting point is the mobile, free Loxone app.

The individually programmable app communicates with the automatic Loxone Auqstar Air pool control via the Loxone Miniserver. By connecting to the Loxone Miniserver, this pool controller can be integrated into the Loxone Smart Home - the digital home in one app.

CONTROL THE POOL



The filter pump control can be adjusted according to the individual needs and water conditions, thus allowing crystal clear pool water.



The integrated temperature sensor ensures the monitoring and measurement of the personal comfort temperature.



The automatically controlled dosing system for pH regulation & salt electrolysis puts the values in the optimum range and keeps the pool water clean.



With the integration of Adagio Pro underwater lighting into the pool control system, the pool shines in the best colors.

DESPITE ...

With further components additional automatic pool functions can be individually included and controlled. The simple adaptation allows you to control the water temperature, integrate a countercurrent system, regulate the pool cover, adjust the pool water level, and much more.

iQmfort

iQmfort is the fully automatic system solution for pool equipment manufacturers and end customers who do not want to miss the advantage of automation, but can not guarantee a reliable WLAN connection for their pool technology. Adapted to the respective pool size of 5 x 3 m - 15 x 6 m, you can individually select your suitable iQmfort products and connect and control them with our iQntrol pool controls.

Smart salt electrolysis
DOMOTIC

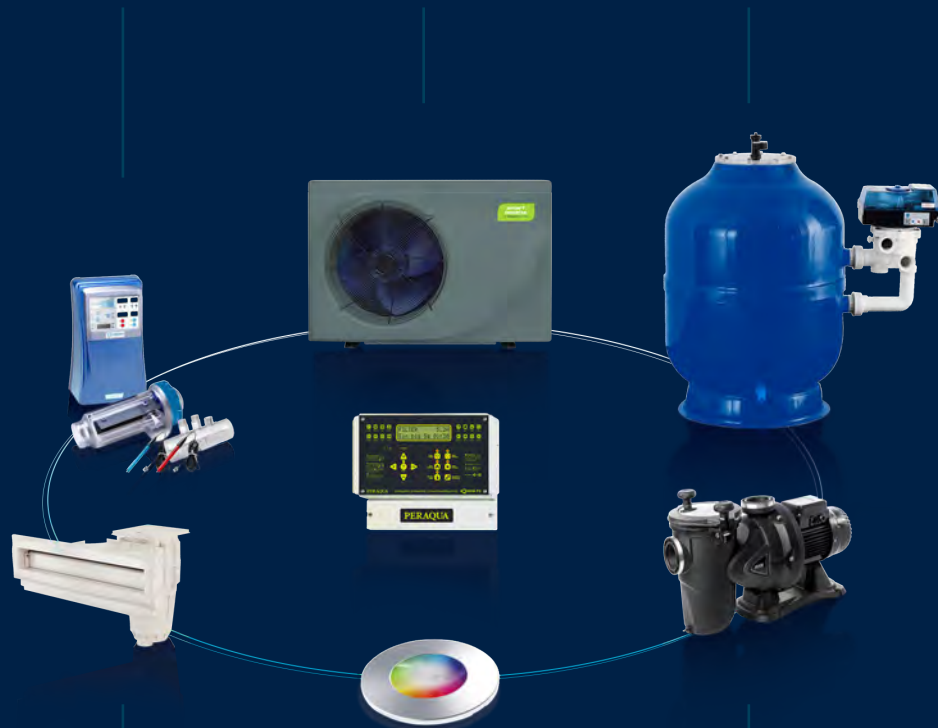
page 318

Smart Full-INVERTER PLUS
heat pump

page 298

Smart Polyester filter
INNSBRUCK blue

page 112



Smart high water level
SKIMMER HIGH75

page 46

ADAGIO PRO RGB
under water light

page 70

Smart EURO-PRO
swimming pool pump

page 136

iQntrol

The new control series "iQntrol" offers full control over every pool system. The pool, solar, level and temperature controls are developed and produced exclusively in Austria under the premise "to combine high functionality and simple operation in intelligent products".



iQntrol-P5 - THE ALL-ROUNDER FOR iQmfort

The P5 is a universal swimming pool control that provides virtually all the control technology of a modern swimming pool and is suitable for all common filter pumps & backwash valves.

It has been especially developed for easy installation and is already preset with common values. A simple integration of other components is guaranteed and therefore qualifies as the main control element for our iQmfort package.

MARKETING + MARKETING PACKAGES

We support our customers at cost prices and iQ partners with marketing service packages in order to be able to present our high quality pool technology in your showroom or at regional trade fair events.



Our qualified key account team will be pleased to inform you about the benefits of an iQ partnership, and will assist you in putting together a marketing and financing package tailored to your showroom.

DISPLAY STAND DUMMIES



FLYER, POSTER ROLLUPS



MARKETING SUPPORT



ORDER INFORMATION

For all orders we ask you to consider our packing units. If the packaging units are not adhered to, we charge a packing surcharge according to your offer form. Please always specify the product code. All prices are to be understood per piece or unit (meter, set, ...) in Euro, ex works 4300 St. Valentin (Austria). For all wrappings and packing non-polluting materials are used. Products without prices are on request. Packing units only accepted for deliveries.



**ALL PRICES
WITHOUT VAT.**

ABBREVIATIONS

ABS	Acrylnitril-Butadien-Styrol	JIS	Japanese Standard
AS	Aquastar	KH	Ball Valve
ASK	Butterfly Valve	MP	Multi Position
ASTM	American Standard	MVO	Multi Voltage Actuator EO510, 12-230 V AC/DC
BEV	Aerating Valve	NPT	National Pipe Taper
BSP	British Standard Pipe	PA	Polyamide (Nylon)
CFR	Cost and Freight	PE	Polyethylene
CIF	Cost, Insurance and Freight	PP	Polypropylene
CPT	Carriage prepaid	PTFE	Polytetrafluorethylene (Teflon®)
d	Pipe outer diameter	PVC	Polyvinylchloride
DDU	Delivered Duty unpaid	PVDF	Polyvinylidenfluoride
DC	Discount code	RSK	Wafer Check Valve
DN	Nominal width	RV	Cone Check Valve
ECO	Electric Actuator EO510 230 V AC	SM	Side Mount
EPDM	Ethylene-Propylene Natural Rubber	TM	Top Mount
EXW	Ex works	TPE	Thermoplastic Elastomere Especially for für wste water
FOB	Free on board	WST	Steel No. 1.4401
FPM	Fluor Natural Rubber (Viton®)	Zoll	Customs
FV	Foot Valve		
GFK	Glass Fibre Plastics		
HN	Manual Override		

DELIVERY TIME

We always strive to keep minimum storage quantities of all common pool products in our logistics center and to deliver them to you as soon as possible. Our customer service will send you immediately after receiving your written order an order confirmation stating the shipping dates.





Customer pool: The Izzara, Jakarta, Indonesia - SINAR TEKNIK

Ocean® Skimmer M5 deluxe
optional with niveau sensor

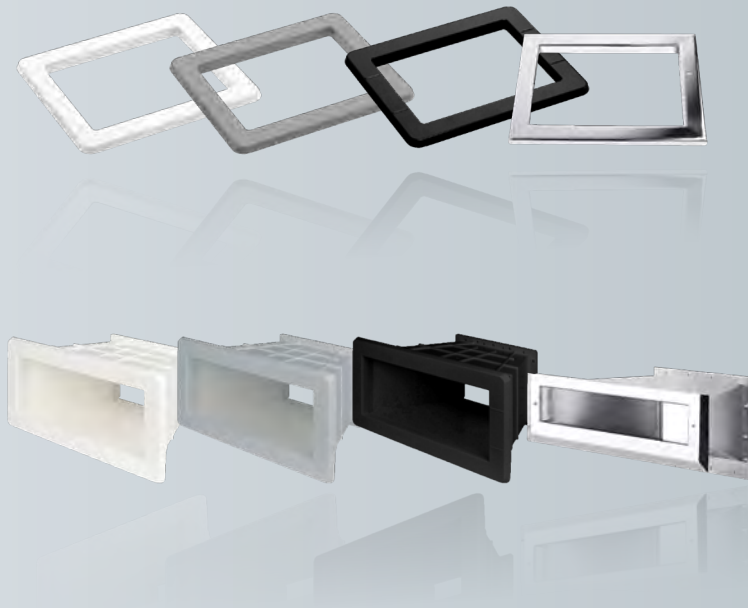
Page 48



**DESIGNED
ENGINEERED &
MADE IN AUSTRIA**

WHITE GOODS ABS & V4A

- 46** | Ocean® White Goods
- 57** | Smart ABS White Goods
- 62** | V4A stainless steel White Goods
- 70** | Under water lights LED/RGB and accessories
- 84** | Smart Jet streams
- 88** | Dimensions/Drawings



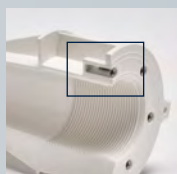
THE DIVERSE WORLD OF OCEAN® WHITE GOODS

The unique modular system enables the precise configuration of design and color of your pool components exactly according to customer wishes. The parts are optimally designed for installation in Smart polystyrene brick pools.

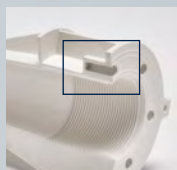
We offer skimmer plates, extensions, widenings, inlets, V4A frames for floor drains, and much more in the colors black, grey and white. They are perfectly combinable with the matching pool liners, especially with our new touch liners in stone look.

All ABS products from our White Good Range are chlorine, UV, salt water and ozone resistant and comply with the strictest standards and criteria.

M5 VS. PT – THE LITTLE DIFFERENCE



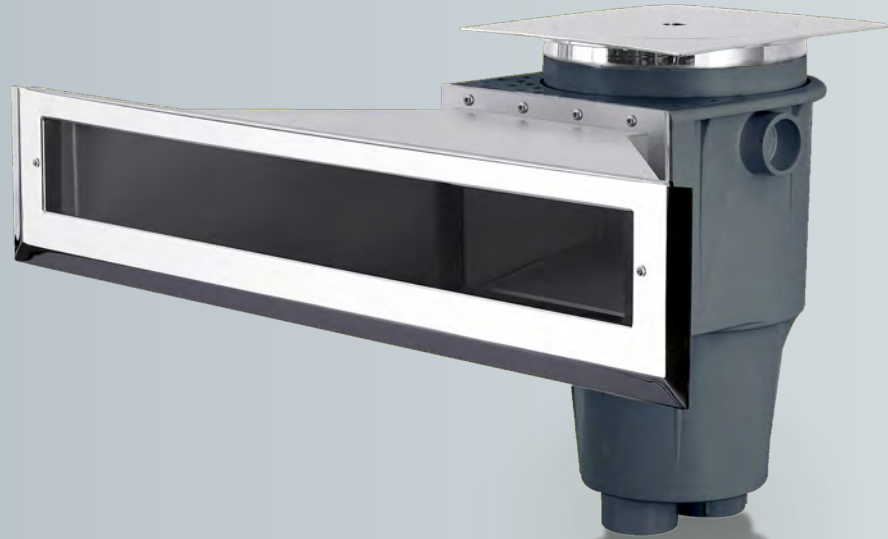
the housing is equipped with high-quality stainless steel inserts A2. Thereby a frame with high quality M5 / A4 screws can be fixed.



In contrast, in PT parts you can screw in directly special developed A2 screws into the plastic housing.



Ocean® skimmer M5 deluxe made of ABS in grey
inclusive V4A stainless steel skimmer extension High75
and V4A skimmer lid



OCEAN® SKIMMER M5 DELUXE HIGH75



The very flat design allows an impressive 4.5 cm waterline and gives a nearly seamless transition from waterline to pool edge.

High-quality skimmer covers made of V4A stainless steel give the pool elegance and sophistication.



In the Ocean® Skimmer M5/PT deluxe a holder for a level sensor is integrated. The control unit and the protective grating are optionally available.

In case of low water level the sensor connected with a water level control forwards water into the pool. This avoids a dry running of the pump.



Ocean® skimmer M5 deluxe High75 ABS + V4A

skimmer for high water level up to 4 - 5 cm, with square V4A flange cover, high polish for liner, build-up and concrete pools, suction width 666mm, sealing, screw set M5 x 25, earthing connection, sieve basket, holder for PVC niveau sensor, d50/63 solvent + 2" female connection.

Product	G-kg	PU	Prod.No.	Price €
Ocean® skimmer M5 deluxe High75 ABS + V4A, white	12.64	1.00	79020	1842.70

Dimensions: page 89 and page 90



Ocean® skimmer M5 deluxe High47 ABS + V4A

skimmer for high water level up to 4 - 5 cm, with square V4A flange cover, high polish for liner, build-up and concrete pools, suction width 388mm, sealing, screw set M5 x 25, earthing connection, sieve basket, holder for PVC niveau sensor, d50/63 solvent + 2" female thread connection.

Product	G-kg	PU	Prod.No.	Price €
Ocean® skimmer M5 deluxe High47 ABS + V4A, white	13.35	1.00	79022	1681.38

Dimensions: page 89 and page 90



Smart skimmer High75 white ABS

ABS, suction width 700x90mm for concrete, liner and build-up pools, sealing, screw set, sieve basket, R1 1/2"+2" female thread connection for high water level 6-7 cm

Product	G-kg	PU	Prod.No.	Price €
High water level skimmer High75 white ABS with brass inserts	7.15	1.00	78491	350.00

Dimensions: page: 88



Smart skimmer High75 black ABS

ABS, suction width 700x90mm for concrete, liner and build-up pools, sealing, screw set, sieve basket, R 1 1/2"+2" female thread for high water level 6-7 cm

Product	G-kg	PU	Prod.No.	Price €
High water level skimmer High75 black ABS with brass inserts	7.15	1.00	78515	350.00

Dimensions: page: 88



NEW

Trim parts for Smart skimmer High75

Product	G-kg	PU	Prod.No.	Price €
Lid grey for Smart high water level skimmer High75	0.20	1.00	7300591	58.00
Skimmer flap grey for Smart high water level skimmer High75	0.50	1.00	7300592	191.58
Skimmer frame cover grey for Smart highwater level skimmer High75	0.42	1.00	7300593	90.57



Symbol Image

Suction plate for high water level skimmer High75 ABS

Product	G-kg	PU	Prod.No.	Price €
Suction plate for high water level skimmer	0.14	1.00	740040	15.34



Smart skimmer High50 white ABS

high water level skimmer ABS, for liner and build-up pools, sealing, screw set AISI-316, sieve basket, R1 1/2"+2" female thread

Product	G-kg	PU	Prod.No.	Price €
Smart skimmer High50 white ABS	7.00	1.00	7300488	175.00

Dimensions: page: 88



Ocean® water regulation system

mechanic, ABS, water connection 3/8", body connection d63/d50, incl. adjustable floater

Product	G-kg	PU	Prod.No.	Price €
Ocean® water regulation system	1.64	1.00	78583	105.47

Dimensions: page: 88



Find further niveau controls in chapter Controls

Niveau control NC01

plug-in with time delay switch (from 2–135 sec), incl. magnetic floater for easy installation on Ocean® skimmer M5 and PT, skimmer is equipped with an integrated and adjustable holder for the niveau floater

Product	G-kg	PU	Prod.No.	Price €
Niveau Control NC01				
Niveau-set NC01 with solenoid valve, 230VAC	1.30	1.00	130293	718.47
Spare parts				
Mini floater switch 5m connection cable	0.01	1.00	31150	180.00
2/2 way solenoid valve 24VDC NBR, G 1/2", IP65, normally closed	0.44	1.00	50631	320.00

Dimensions: page: 88



Ocean® skimmer M5 deluxe white

for liner, build-up and concrete/tile pools, with basket, flange set, skim vac plate d32/38, flange, M5 thread inserts A4 (SS316), screw set, sealing, reductions 2"/1½" and overflow connection d50. Incl. notch for niveau sensor. Recommended flow rate 8 m3/h. One skimmer for 25 m2 water surface recommended

Product	G-kg	PU	Prod.No.	Price €
Skimmer Ocean® De Luxe M5 stainless steel inserts A4 ABS white, double lip sealing, Ocean single packing	2.33	1.00	170560A	147.00

Dimensions: page: 89



Ocean® skimmer M5 deluxe (square collar), white

for liner, build-up and concrete/tile pools, with square collar, basket, flange set, skim vac plate d32/38, flange, M5 thread inserts A4 (SS316), screw set, double lip sealings, reductions, 2"/1½" and overflow connection d50. Incl. notch for niveau sensor. Recommended flow rate 8 m3/h. One skimmer for 25 m2 water surface recommended

Product	G-kg	PU	Prod.No.	Price €
Skimmer Ocean® De Luxe M5, incl. square cover	2.60	1.00	7300206	180.80



Ocean® skimmer PT deluxe

for liner, build-up and concrete/tile pools, with basket, flange set, skim vac plate d32/38, flange, self-drilling PT screw set, sealings, reductions 2"/1½" and overflow connection d50. Incl. notch for niveau sensor. Recommended flow rate 8 m3/h. One skimmer for 25 m2 water surface recommended

Product	G-kg	PU	Prod.No.	Price €
Skimmer Ocean® De Luxe PT ABS white, double lip sealing, Ocean single packing	2.33	1.00	170542A	109.20
Skimmer Ocean® De Luxe PT ABS grey, double lip sealing, Ocean single packing	2.45	1.00	170967	231.00
Skimmer Ocean® De Luxe PT ABS black, double lip sealing, Ocean single packing	2.41	1.00	170598A	150.00

Dimensions: page: 89

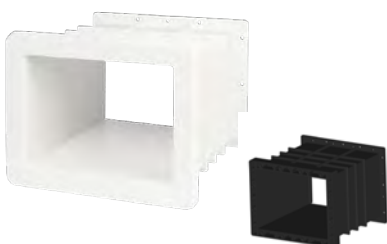


Ocean® skimmer extension M5 deluxe

25 cm mounting depth, M5 thread inserts A4 (SS316), sealings, flange, screw set, for optimal front skimmer extension M5 deluxe (prod. code 170560A)

Product	G-kg	PU	Prod.No.	Price €
Extension for Ocean® skimmer M5 stainless steel thread inserts A4 ABS white	1.10	1.00	170613A	87.36

Dimensions: page: 89



Ocean® skimmer extension PT

25 cm mounting depth, PT self-drilling, screw set, sealings, flange, for optimal skimmer front extension for the skimmer PT deluxe

Product	G-kg	PU	Prod.No.	Price €
Extension for skimmer Ocean® PT ABS white (170560A, 7300206)	1.08	1.00	170612A	45.72
Extension for skimmer Ocean® PT ABS black (170598A)	1.31	1.00	170920A	87.00

Dimensions: page: 89

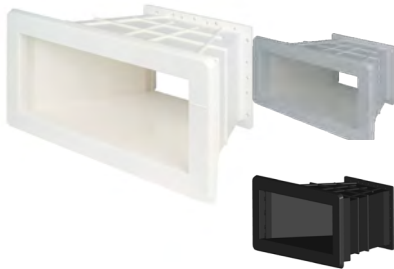


Ocean® wide mouth extension M5 deluxe

25 cm mounting depth, M5 thread inserts A4 (SS316), sealings, flange, screw set, for optimal front extension and enlargement for skimmer M5 deluxe (prod. code 170560A)

Product	G-kg	PU	Prod.No.	Price €
Enlargement for skimmer Ocean® M5 stainless steel thread inserts A4 ABS white	1.96	1.00	170615A	133.39

Dimensions: page: 89



Ocean® skimmer wide mouth extension PT

25 cm mounting depth, incl. sealings, flange and self-drilling PT screw set, for optimal front extension and enlargement for PT skimmer

Product	G-kg	PU	Prod.No.	Price €
Enlargement for wide mouth skimmer Ocean® PT ABS white (prod. code 170542A)	1.98	1.00	170614A	85.30
Enlargement for wide mouth skimmer Ocean® PT ABS grey (prod. code 170967)	1.98	1.00	170968	162.00
Enlargement for skimmer enlargement ocean PT ABS black	1.88	1.00	170925A	100.34

Dimensions: page: 89



Ocean® skimmer wide mouth (6°) M5

25 cm mounting depth, for installation of Ocean® skimmer M5 deluxe (prod. code 170560A) for polyester pools, ceramic and especially for a slanted pool flange (optional with electr. niveau control Praher NC01), integrated M5 A4 stainless steel thread inserts.

Product	G-kg	PU	Prod.No.	Price €
Enlargement for Ocean® M5 stainless steel inserts A4 6° ABS white for polyester pools	1.90	1.00	170915A	160.07

Dimensions: page: 89



Ocean® Skimmer wide mouth/slanted flange (6°) PT

25 cm mounting depth, this allows the Ocean® Skimmer deluxe PT to be mounted „straight“ on the sloping pool flange. In addition to optical advantages, this also has technical advantages, since the function of the skimmer (optionally with electric level control Praher NC01) is optimally guaranteed.

Product	G-kg	PU	Prod.No.	Price €
Enlargement/slanted flange 6° for wide mouth skimmer Ocean® PT ABS grey (prod. code 170967)	2.18	1.00	170969	195.00
Enlargement/slanted flange 6° for wide mouth skimmer Ocean® PT ABS black (prod. code 170598A)	2.17	1.00	170926A	252.00

Dimensions: page: 89



Ocean® stainless steel extension for High47 and High47 6°

V4A, incl. flange, screws and sealings, water line 4,5 cm
 prod. code 74705: 6°, HW large, suction width 387,6 mm for ABS Ocean® skimmer deluxe 170560a
 prod. code 78517: suction width 387,6 mm, for Ocean® skimmer M5 deluxe (170560a)

Product	G-kg	PU	Prod.No.	Price €
Ocean® V4A stainless steel extension HW small suction width 387,6 mm incl. flange, screws and sealings	8.05	1.00	78517	880.31
Ocean® V4A stainless steel extension 6°, HW small suction width 387,6 mm incl. flange, screws and sealings	7.40	1.00	74705	950.95

Dimensions: page: 90



Ocean® stainless steel extension High75 and High75 6°

V4A, incl. flange, screws and sealings, water line 4,5 cm
 prod. code 74706: 6°, HW small, suction width 665,6 mm for ABS Ocean® skimmer deluxe (170560a)
 prod. code 78516: suction width 665,6 mm, for Ocean® skimmer M5 deluxe (170560a)

Product	G-kg	PU	Prod.No.	Price €
Ocean® V4A stainless steel extension HW large suction width 665,6 mm incl. flange, screws and sealings	11.02	1.00	78516	1255.25
Ocean® V4A stainless steel extension 6°, HW large suction width 665,6 mm incl. flange, screws and sealings	11.01	1.00	74706	1331.33

Dimensions: page: 90

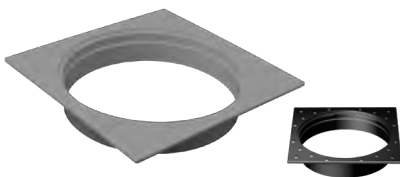


Ocean® height extension deluxe white

2 pcs extension rings (telescopic system), square cover for round standard skimmer lids

Product	G-kg	PU	Prod.No.	Price €
Height extension for skimmer Ocean® ABS white	0.34	1.00	170607	25.70

Dimensions: page: 91



Collar for Ocean® skimmer deluxe

Product	G-kg	PU	Prod.No.	Price €
Collar for Ocean® skimmer ABS grey	0.22	24.00	150495	30.90
Collar for Ocean® skimmer ABS black	0.20	1.00	150402	30.90

Dimensions: page: 91



Ocean® skimmer lid and height extension stainless steel

AISI316/V4A, height: 4,5 cm, 250x250 mm, for Ocean® skimmer deluxe

Product	G-kg	PU	Prod.No.	Price €
Lid for skimmer Ocean® square V4A 250 x 250 mm AISI 316 incl. round cover and height compensation 4,5 cm	1.34	1.00	77587	216.27

Dimensions: page: 91

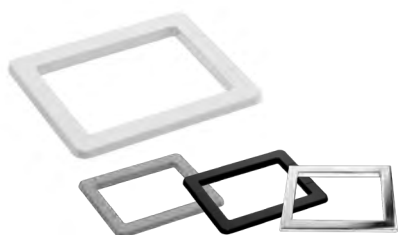


Collar for Ocean® skimmer deluxe ABS universal

Product	G-kg	PU	Prod.No.	Price €
Collar for Ocean® skimmer ABS universal	0.07	1.00	150379	15.68

Dimensions: page: 91

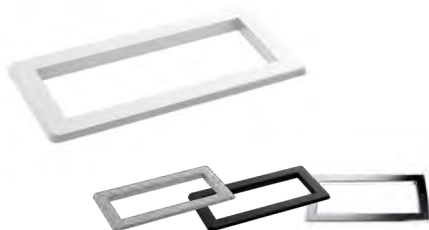
Frame Ocean® skimmer deluxe



Product	G-kg	PU	Prod.No.	Price €
Ocean® skimmer frame white	0.10	25.00	150385	15.59
Ocean® skimmer frame grey	0.10	25.00	150498	33.48
Ocean® skimmer frame black	0.10	25.00	150405	20.01
Ocean® skimmer frame stainless steel deluxe V4A AISI-316	0.60	10.00	77589	130.42

Dimensions: page: 91

Wide mouth frame Ocean® skimmer deluxe



Product	G-kg	PU	Prod.No.	Price €
Ocean® wide mouth skimmer frame white	0.26	32.00	150410A	29.94
Ocean® wide mouth skimmer frame grey	0.26	32.00	150500	50.18
Ocean® wide mouth skimmer frame black	0.26	32.00	150480A	48.90
Ocean® Skimmer deluxe wide mouth skimmer frame stainless steel V4A AISI-316	1.30	10.00	77588	157.00

Dimensions: page: 91

Ocean® protective grating

against leaves and all other pool contaminations, which might affect the functionality of the PVC solenoid niveau switch NC01. Retrofitting possible



Product	G-kg	PU	Prod.No.	Price €
Protective grating for skimmer Ocean® De Luxe ABS white	0.02	10.00	150430	8.16

Smart winter plug



Product	G-kg	PU	Prod.No.	Price €
Winter plug 1 1/2" EPDM 38 - 51 mm	0.08	10.00	77021	6.00
Winter plug 2" EPDM 51 - 63,5 mm	0.13	10.00	77020	6.52

Solvent sealing for Ocean® skimmer deluxe

alternative for the included double lip sealing for Ocean® skimmer deluxe, solvent sealing



Product	G-kg	PU	Prod.No.	Price €
Solvent sealing for Ocean® skimmer deluxe	0.03	1.00	51317	21.31



Ocean® wall conduit M5 deluxe

for liner and build-up pools/tile pools, integrated M5 A4 (ss316) thread inserts, 2" female thread/male thread/solvent d50 mm, for optimal installation incl. 2 fixing brackets, holes for reinforcing iron bars and counter nut for the wall formwork

Product	G-kg	PU	Prod.No.	Price €
Wall conduit Ocean® M5 stainless steel inserts A4 with clamping nut, set	0.35	10.00	170629	35.11

Dimensions: page: 92



Ocean® inlet nozzle deluxe M5 DIN liner pools

with ball acc. DIN EN16582, sealings, screw set, in combination with wall conduit M5 deluxe (prod. code 170629)

Product	G-kg	PU	Prod.No.	Price €
inlet nozzle with ball DIN for Ocean® wall conduit M5 deluxe white	0.16	50.00	170625A	13.40
Inlet nozzle with ball acc. DIN for Ocean® wall conduit M5 deluxe grey	0.25	1.00	7300595	39.50
Inlet nozzle Ocean® M5 stainless steel inserts A4 for liner pools ABS black, set	0.16	50.00	170914A	13.90

Dimensions: page: 92



Ocean® inlet nozzle deluxe standard liner pools

with ball universal type 13/17/21mm, sealings, screw set, in combination with wall conduit M5 deluxe (prod. code 170629)

Product	G-kg	PU	Prod.No.	Price €
Inlet nozzle with ball universal type 13/17/21cm for Ocean® wall conduit M5 deluxe grey	0.25	1.00	7300438	39.50

Dimensions: page: 92



Ocean® wall conduit PT deluxe

Product	G-kg	PU	Prod.No.	Price €
Wall conduit Ocean® for self-drilling screw sets, with clamp nut, set for liner, build-up and concrete/ceramic pools	0.34	10.00	170879	15.98

Dimensions: page: 92



Ocean® inlet nozzle deluxe PT DIN liner pools

with ball acc DIN EN16582, sealings, self-drilling PT screw set, in combination with wall conduit PT deluxe (prod. code 170879)

Product	G-kg	PU	Prod.No.	Price €
Inlet nozzle with ball acc DIN for Ocean® wall conduit PT deluxe white	0.15	40.00	170883A	16.30
Inlet nozzle with ball acc DIN for Ocean® wall conduit PT deluxe grey	0.17	40.00	7300598	39.50

Dimensions: page: 92



Ocean® inlet nozzle deluxe, white

for concrete/tile pools, 2" male thread/d50, with ball DIN, application for direct turn-in in combination with PT wall conduit (prod. code 170879), white

Product	G-kg	PU	Prod.No.	Price €
Inlet nozzle with ball universal type 13/17/21cm for Ocean® wall conduit PT deluxe white	0.13	40.00	170626A	13.80



Ocean® inlet nozzle M5 deluxe white, short version

with ball acc DIN EN16582, suitable for liner and stainless steel pools, screw set, 2 sealings, M5 stainless steel thread inserts, solvent connection d50/63, set

Product	G-kg	PU	Prod.No.	Price €
Inlet nozzle Ocean® short version, M5 stainless steel thread inserts for liner and stainless steel pools, ABS white, set	0.30	20.00	170882A	45.16

Dimensions: page: 59



Ocean® inlet nozzle PT DIN short version

with ball acc DIN EN16582, suitable for liner and stainless steel pools, screw set, 2 sealings, self-drilling PT screw set, solvent connection d50/63, set

Product	G-kg	PU	Prod.No.	Price €
Inlet nozzle Ocean® short version, self-drilling PT DIN screw set for liner and stainless steel pools, ABS white, set	0.28	20.00	170881A	25.76
Inlet nozzle Ocean® short version, self-drilling PT DIN screw set for liner and stainless steel pools, ABS grey, set	0.29	1.00	7300597	59.50

Dimensions: page: 92



Ocean® inlet nozzle PT standard short version

with ball universal type 13/17/21mm, suitable for liner and stainless steel pools, screw set, 2 sealings, self-drilling PT screw set, solvent connection d50/63, set

Product	G-kg	PU	Prod.No.	Price €
Inlet nozzle Ocean® short version, self-drilling PT standard screw set for liner and stainless steel pools, ABS grey, set	0.29	1.00	7300596	59.50
Inlet nozzle Ocean® short version, self-drilling PT standard screw set for liner and stainless steel pools, ABS black, set	0.29	1.00	7300599	59.50

Dimensions: page: 92



Ocean® inlet nozzle deluxe DIN build-up pools (Poly- / Vinylester pools, PP)

with ball acc DIN EN16582, flange set, sealings, POM washer, clamp nut, ABS, set

Product	G-kg	PU	Prod.No.	Price €
Inlet nozzle Ocean® for polyester pools, ABS white, set (sealing set, clamp)	0.22	20.00	170627A	21.80
Inlet nozzle Ocean® for polyester pools ABS grey, set (sealing set and clamp nut)	0.21	20.00	7300843	44.40
Inlet nozzle Ocean® for polyester pools ABS black, set (sealing set and clamp nut)	0.22	20.00	170904A	25.01

Dimensions: page: 92



Ocean® plug 1 1/2" male thread

for Ocean® inlet nozzles

Product	G-kg	PU	Prod.No.	Price €
Plug for Ocean® white goods with O-ring ABS white male thread R 1 1/2"	0.03	10.00	150416	3.34



Ocean® installation tool

for installation of the cover

Product	G-kg	PU	Prod.No.	Price €
Installation tool for Ocean® inlet nozzles	0.01	10.00	150420	4.03



Ocean® inlet nozzle cover stainless steel

suitable for all Ocean® inlet nozzles, V4A incl. cover and ball

Product	G-kg	PU	Prod.No.	Price €
Cover for Ocean® inlet nozzle DIN V4A AISI 316, 1 1/2" male thread, with 8 drilling holes, 5 mm each	0.20	1.00	75211	108.00
Cover for Ocean® inlet nozzle DIN V4A AISI 316, 1 1/2" male thread, diameter of drilling hole 13mm	0.20	1.00	74410	108.00
Cover for Ocean® inlet nozzle DIN V4A AISI 316, 1 1/2" male thread, diameter of drilling hole 18mm	0.17	4.00	77586	108.00

Dimensions: page: 93



Ocean® inlet nozzle cover "Square"

11 x 11 cm, DIN incl. 4 x drilling holes d8, AISI316/V4A, with 1 1/2" male thread and installation tool

Product	G-kg	PU	Prod.No.	Price €
Ocean® inlet nozzle cover V4A AISI 316 „Square“	0.48	1.00	79375	179.32



Ocean® main drain M5 deluxe white

for liner, build-up and concrete/tile pools, with M5 A4 (SS316) thread inserts, flat cover, 2" female thread connection, flange screw set, sealing set,max. flow rate: 15 m3/

Product	G-kg	PU	Prod.No.	Price €
Main drain M5 stainless steel thread inserts A4 ABS white with M5 screws	0.92	10.00	170843	63.41

Dimensions: page: 93



Ocean® main drain PT

for liner, build-up and concrete/tile pools, with PT screws, flat cover, 2" female thread connection, flange screw set, sealing set, max. flow rate: 15 m3/h

Product	G-kg	PU	Prod.No.	Price €
Main drain PT ABS white	0.92	10.00	170842	51.88
Main drain PT ABS black	0.92	10.00	170902	60.00

Dimensions: page: 93



Ocean® flange for main drain grey

ABS, without grid lid, grey

Product	G-kg	PU	Prod.No.	Price €
Ocean® flange for main drain M5 and PT ABS grey	0.11	28.00	150506	35.71

Symbol Image, delivery without grid lid



Ocean® grid cover, grey

ABS, grey

Product	G-kg	PU	Prod.No.	Price €
Ocean® grid cover for main drain M5 and PT ABS grey	0.10	35.00	150505	26.92



Ocean® cover for main drain deluxe stainless steel

Product	G-kg	PU	Prod.No.	Price €
Cover for main drain Ocean® round V4A 222 mm AISI 316	0.30	5.00	77585	107.59

Dimensions: page: 93



Ocean® main drain "Square"

24 x 24 cm
drilling holes d8, AISI316/V4A

Product	G-kg	PU	Prod.No.	Price €
Ocean® cover for main drain, "Square", 24 x 24cm, d8 drilling holes AISI316/V4A	0.90	5.00	79377	190.19

Ocean® inlet nozzles for liner pools

with 2" male thread d50, solvent connection, 2 sealings, screw set, adjustable flow, white



Product	G-kg	PU	Prod.No.	Price €
Ocean® inlet nozzle for liner pools, 2" male thread, d50 solvent socket	0.24	18.00	74396	26.06

Dimensions: page: 93



Ocean® floor inlet nozzle for concrete pools

d63 or R2", white

Product	G-kg	PU	Prod.No.	Price €
Ocean® floor inlet nozzle for concrete pools ABS d63 solvent connection	0.10	1.00	78606	11.31
OCEAN floor inlet nozzle for concrete pools ABS R2" male thread	0.16	1.00	78607	11.31



Smart skimmer

for polyester and liner pools ABS, white, flow rate 150 l/min, 1 1/2" thread connection

Product	G-kg	PU	Prod.No.	Price €
Smart skimmer for polyester pools, ABS, white, flow rate 150 l/min, 1 1/2" thread connection	2.60	1.00	7300028	63.03

Dimensions: page: 94



Smart skimmer

for polyester and liner pools ABS, white

Product	G-kg	PU	Prod.No.	Price €
Smart skimmer for polyester pools, ABS, white	3.60	1.00	7300030	106.29

Dimensions: page: 94



Smart wide mouth skimmer

for polyester and liner pools ABS, white, flow rate 150 l/min, 1 1/2" thread connection

Product	G-kg	PU	Prod.No.	Price €
Smart wide mouth skimmer for polyester pools, ABS, white, flow rate 150 l/min, 1 1/2" threaded connection	3.70	1.00	7300029	86.94

Dimensions: page: 94



Smart wide mouth skimmer

for polyester and liner pools ABS, white

Product	G-kg	PU	Prod.No.	Price €
Smart wide mouth skimmer for polyester pools, ABS, white	5.80	1.00	7300031	124.98

Dimensions: page: 94



Smart skimmer mini

for above ground pools ABS, white, with screw set and sealings

Product	G-kg	PU	Prod.No.	Price €
Smart skimmer mini white single packed für above ground pools	2.44	4.00	78735	35.37

Dimensions: page: 95



Smart skimmer maxi

for above ground pools ABS, white, with screw set and sealings

Product	G-kg	PU	Prod.No.	Price €
Smart skimmer maxi white single packed for above ground pools	3.44	2.00	78736	64.12

Dimensions: page: 95



Smart wall conduit

for polyester and liner pools ABS, white, d50 mm solvent, imperial 1.5" solvent

Product	G-kg	PU	Prod.No.	Price €
Smart wall conduit for polyester and liner pools ABS white, d50 mm solvent internal, imperial 1,5" internal	0.30	12.00	7300038	8.59

Dimensions: page: 95



Smart inlet nozzle

for above ground pools ABS, white, with sealings

Product	G-kg	PU	Prod.No.	Price €
Return fitting ABS white single packed	0.19	72.00	78737	5.33

Dimensions: page: 95



Smart inlet nozzle

for polyester and liner pools ABS, white, G2A male thread, d50 solvent inner connection, recommended wall conduit 7300038, imperial 1.5" solvent inner connection, adjustable angle

Product	G-kg	PU	Prod.No.	Price €
Smart inlet nozzle for polyester- and liner pools ABS, white, G2A external thread, d50 solvent internal	0.45	24.00	7300034	20.54

Dimensions: page: 96



Smart vac nozzle

for polyester and liner pools d50 mm solvent inner connection, imperial 1.5" solvent inner connection, recommended wall conduit 7300038, G2A male thread

Product	G-kg	PU	Prod.No.	Price €
Smart vacuum nozzle for polyester and liner pools d50 mm solvent internal, imperial 1,5" solvent internal	0.45	12.00	7300037	9.01

Dimensions: page: 96



Smart floor inlet nozzle

for polyester and liner pools ABS, white, d50 mm solvent, imperial 1.5" solvent, G2A male thread

Product	G-kg	PU	Prod.No.	Price €
Smart floor inlet nozzle for polyester and liner pools, ABS, white, d50 solvent internal, imperial 1,5" solvent internal, G2A thread external	0.45	12.00	7300036	22.81

Dimensions: page: 96



Smart floor inlet nozzle

for concrete pools ABS, white, d50 mm solvent, imperial 1.5" solvent, G2A male thread

Product	G-kg	PU	Prod.No.	Price €
Smart inlet nozzle for concrete pools, white, d50 solvent inside, imperial 1,5" solvent inside, G2A thread outside	0.34	24.00	7300035	10.49

Dimensions: page: 96



Smart main drain

ABS, white, 1 1/2" thread connection

Product	G-kg	PU	Prod.No.	Price €
Smart main drain ABS, white, for polyester pools, 1 1/2" connection	0.95	20.00	7300178	27.17

Dimensions: page: 97



Smart main drain

ABS, white, 1 1/2" / 2" thread connection

Product	G-kg	PU	Prod.No.	Price €
Smart main drain ABS, white, 1 1/2" / 2" thread connection	1.00	8.00	7300033	60.84

Dimensions: page: 97



Smart main drain

ABS, white 305 x 305 mm

Product	G-kg	PU	Prod.No.	Price €
Smart main drain ABS, white	5.70	20.00	7300032	44.41

Dimensions: page: 97



Smart main drain

for tile and mosaic pools ABS, 245 × 245 mm, 9 × 9"

Product	G-kg	PU	Prod.No.	Price €
Main drain ABS white 245 x 245 mm (9" x 9")	0.83	10.00	74349	22.32



Smart main drain

for tile and mosaic pools ABS, 265 × 265 mm, 10 × 10"

Product	G-kg	PU	Prod.No.	Price €
Main drain ABS white 265 x 265mm complete mounted UV-resistant	0.90	25.00	170183	23.58



Smart main drain

for tile and mosaic pools ABS, 320 × 320 mm, 12 × 12"

Product	G-kg	PU	Prod.No.	Price €
Main drain ABS white 320 x 320 mm (12" x 12")	1.32	1.00	74350	37.11



SWIMMING IN GLEAMING SHINE



Smart stainless steel skimmer V4A 40
with frontal removable basket



Smart inlet nozzle V4A



Smart V4A wall conduits with
water stop

PERAQUA® V4A STAINLESS STEEL WHITE GOODS

The name of V4A steel comes from trying to produce steel grades from an alloy of iron, chrome and nickel. So "V4" stands for trial melt 4 and "A" for austenite. Chrome and Nickel are main components of V2A stainless steel, V4A is still higher-graded and is additionally alloyed with molybdenum.

V4A stainless steel is highly durable, versatile, elegant and rust-free and a fix component in the global pool industry. When using salt electrolysis V4A stainless can be used up to a max. salinity of 1.5 g/l.

NEW

At a maximum salt content of up to 15 g/l we recommend to use Titanium stainless steel which is available on request.

NOTE
Using salt electrolysis systems in combination with stainless steel V4A can lead to corrosion!



Customer pool, Perg / Austria



Smart stainless steel skimmer V4A High60

Product	G-kg	PU	Prod.No.	Price €
Smart stainless steel skimmer V4A High60 for concrete pools	22.00	1.00	7300626	1658.42
Smart stainless steel skimmer V4A High60 for concrete pools with integrated holder for niveau control	24.00	1.00	7300627	2031.48
Smart stainless steel skimmer V4A High60 for liner pools	23.00	1.00	7300628	1997.00
Smart stainless steel skimmer V4A High60 for liner pools with integrated holder for niveau control	25.00	1.00	7300629	2370.06

Dimensions: page: 97



Smart stainless steel skimmer V4A High70

Product	G-kg	PU	Prod.No.	Price €
Smart stainless steel skimmer V4A High70 for concrete pools	27.00	1.00	7300630	1862.19
Smart stainless steel skimmer V4A High70 for concrete pools with integrated holder for niveau control	23.00	1.00	7300631	2219.58
Smart stainless steel skimmer V4A High70 for liner pools	26.00	1.00	7300632	2065.97
Smart stainless steel skimmer V4A High70 for liner pools with integrated holder for niveau control	27.00	1.00	7300633	2558.16

Dimensions: page: 98



Smart stainless steel skimmer V4A 40 with frontal removable basket

Product	G-kg	PU	Prod.No.	Price €
Smart stainless steel skimmer V4A 40 for concrete pools with frontal removable basket	11.00	1.00	7300634	1332.38
Smart stainless steel skimmer V4A 40 for concrete pools with frontal removable basket with integrated holder for niveau control	12.00	1.00	7300635	1849.65
Smart stainless steel skimmer V4A 40 for liner pools with frontal removable basket	12.00	1.00	7300638	1489.13
Smart stainless steel skimmer V4A 40 for liner pools with frontal removable basket with integrated holder for niveau control	13.00	1.00	7300639	2006.40

Dimensions: page: 98



Smart stainless steel skimmer V4A 60 with frontal removable basket

Product	G-kg	PU	Prod.No.	Price €
Smart stainless steel skimmer V4A 60 for concrete pools with frontal removable basket	16.00	1.00	7300636	1489.13
Smart stainless steel skimmer V4A 60 for concrete pools with frontal removable basket and integrated holder for niveau control	17.00	1.00	7300637	2006.40
Smart stainless steel skimmer V4A 60 for liner pools with frontal removable basket	17.00	1.00	7300640	1645.88
Smart stainless steel skimmer V4A 60 for liner pools with frontal removable basket and integrated holder for niveau control	18.00	1.00	7300641	2163.15

Dimensions: page: 98



Smart wall conduit stainless steel V4A with water stop

Product	G-kg	PU	Prod.No.	Price €
Smart wall conduit stainless steel V4A with waterstop and thread l = 250mm 1 1/2" female thread x 1 1/2" female thread	3.50	1.00	7300642	128.18
Smart wall conduit stainless steel V4A with waterstop and thread l = 350mm 1 1/2" female thread x 1 1/2" female thread	4.50	1.00	7300643	156.05
Smart wall conduit stainless steel V4A with waterstop and thread l = 250mm 2" female thread x 2" female thread	4.50	1.00	7300644	181.13
Smart wall conduit stainless steel V4A with waterstop and thread l = 350mm 2" female thread x 2" female thread	5.00	1.00	7300645	222.93



short version

Smart wall conduit stainless steel V4A short version for liner pools

Product	G-kg	PU	Prod.No.	Price €
Smart wall conduit stainless steel V4A short version for liner pools thread l = 100mm 1 1/2" female thread x 1 1/2" male thread	3.50	1.00	7300646	210.39
Smart wall conduit stainless steel V4A for liner pools with waterstop and thread l = 250mm 1 1/2" female thread x 1 1/2" female thread	4.00	1.00	7300647	260.55
Smart wall conduit stainless steel V4A short for liner pools, thread l = 100mm 2" female thread x 2" male thread	4.50	1.00	7300648	254.98
Smart stainless steel wall conduit V4A liner pools with water-stop and thread l = 250mm 2" FT x 2" FT	5.00	1.00	7300649	289.81



Smart inlet nozzle stainless steel V4A DIN

Product	G-kg	PU	Prod.No.	Price €
Smart inlet nozzle stainless steel V4A DIN for concrete pools 1 1/2" male thread	0.45	1.00	7300650	220.15
Smart inlet nozzle stainless steel V4A DIN for concrete pools 2" male thread	0.50	1.00	7300651	248.01
Smart inlet nozzle stainless steel V4A DIN for liner pools 1 1/2" male thread	0.70	1.00	7300652	292.60
Smart inlet nozzle stainless steel V4A DIN for liner pools 2" male thread	1.20	1.00	7300653	328.82

Dimensions: page: 99



Smart wall suction stainless steel V4A

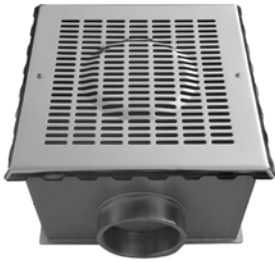
Product	G-kg	PU	Prod.No.	Price €
Smart wall suction stainless steel V4A for concrete pools 2" male thread	0.80	1.00	7300654	202.03
Smart wall suction stainless steel V4A for liner pools 2" AG	1.20	1.00	7300655	289.81

Dimensions: page: 99



Smart floor inlet nozzle stainless steel V4A adjustable

Product	G-kg	PU	Prod.No.	Price €
Smart floor inlet nozzle stainless steel V4A adjustable for concrete pools 2" male thread	2.00	1.00	7300656	267.52
Smart floor inlet nozzle stainless steel V4A adjustable for liner pools 2" male thread	3.50	1.00	7300657	351.12



Smart main drain stainless steel V4A

Product	G-kg	PU	Prod.No.	Price €
Smart main drain stainless steel V4A for concrete pools 200 x 200mm 2" female thread	5.00	1.00	7300658	433.33
Smart main drain stainless steel V4A for liner pools 200 x 200mm 2" female thread	6.00	1.00	7300659	562.21
Smart main drain stainless steel V4A for concrete pools 250 x 250mm 2" female thread	7.00	1.00	7300660	523.89
Smart main drain stainless steel V4A for liner pools 250 x 250mm 2" female thread	8.00	1.00	7300661	672.98

Dimensions: page:



Smart junction box V4A

Product	G-kg	PU	Prod.No.	Price €
Smart junction box stainless steel V4A	1.00	1.00	74503	216.90

Dimensions: page: 100



Smart main drain V4A

for tile and mosaic pools

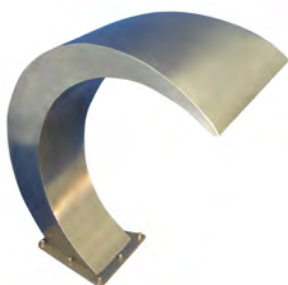
Product	G-kg	PU	Prod.No.	Price €
Main drain ss316 stainless steel 320 x 320 mm (12" x 12")	2.03	10.00	74351	157.59
Main drain ss316 stainless steel 245 x 245 mm (9" x 9")	1.24	1.00	74352	170.01



Adagio Pro wall conduit V4A

for stainless steel, liner and polyester pools, with female thread

Product	G-kg	PU	Prod.No.	Price €
Adagio Pro wall conduit, stainless steel with female thread	1.54	1.00	75237	428.99



Ocean® flush shower SNAKE bright polish/matt

with mounting parts V4A, 2" female thread and earthing connection

Product	G-kg	PU	Prod.No.	Price €
Smart shower SNAKE bright finish AISI 316L	19.00	1.00	78539	3103.85
Smart shower Snake matt AISI 316L	23.80	1.00	78540	2589.79

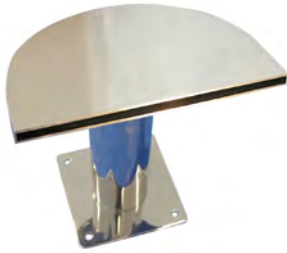
Dimensions: page: 100



Ocean® flush shower SAGITTARIUS bright polish/matt

Product	G-kg	PU	Prod.No.	Price €
Smart shower SAGITTARIUS bright finish AISI 316L	5.00	1.00	78541	1093.16
Smart shower SAGITTARIUS matt AISI 316L	5.00	1.00	78542	741.79

Dimensions: page: 100



Ocean® flush shower SCORPIO bright polish/matt

Product	G-kg	PU	Prod.No.	Price €
Smart shower SCORPIUS bright finish AISI 316L	7.50	1.00	78543	1260.03
Smart shower SCORPIUS matt AISI 316L	7.50	1.00	78544	1193.00

Dimensions: page: 101



Smart suction system for flush showers

for liner pools, female thread 2½", earthing connection

Product	G-kg	PU	Prod.No.	Price €
Ocean Suction for shower, liner, bright finish AISI 316L	4.50	1.00	78528	832.91

Dimensions: page: 101



Smart stainless steel ladder MURO deluxe

made of bright polished stainless steel tubes ø43 mm (AISI304 / V2A), including installation kit (rubber bumper, screws and nuts AISI304 / V2A), produced according to EN 13451-1, EN 13451-2

Product	G-kg	PU	Prod.No.	Price €
Smart stainless steel ladder MURO deluxe 2-steps antislip steps	9.00	1.00	77550	270.69
Smart stainless steel ladder MURO deluxe 3-steps antislip steps	10.50	1.00	77551	295.42
Smart stainless steel ladder MURO deluxe 4-steps antislip steps	12.40	1.00	77552	324.05
Smart stainless steel ladder MURO deluxe 5-steps antislip steps	13.70	1.00	77553	359.20

Dimensions: page: 101



Smart stainless steel ladder STANDARD deluxe

made of bright polished stainless steel tubes ø43 mm (AISI304 / V2A), including installation kit (rubber bumper, screws and nuts AISI304 / V2A), produced according to EN 13451-1, EN 13451-2

Product	G-kg	PU	Prod.No.	Price €
Smart stainless steel ladder STANDARD deluxe 2-step antislip steps	9.80	1.00	77558	270.69
Smart stainless steel ladder STANDARD deluxe 3-step antislip steps	11.50	1.00	77559	295.42
Smart stainless steel ladder STANDARD deluxe 4-step antislip steps	14.00	1.00	77560	324.05
Smart stainless steel ladder STANDARD deluxe 5-step antislip steps	15.00	1.00	77561	359.20

Dimensions: page: 101



Smart stainless steel ladder MIXED deluxe

made of bright polished stainless steel tubes ø43 mm (AISI304 / V2A), including installation kit (rubber bumper, screws and nuts AISI304 / V2A), produced according to EN 13451-1, EN 13451-2

Product	G-kg	PU	Prod.No.	Price €
Smart stainless steel ladder MIXED deluxe 2-steps, antislip steps	9.80	1.00	77566	393.02
Smart stainless steel ladder MIXED deluxe 3-steps, antislip steps	11.50	1.00	77567	441.19
Smart stainless steel ladder MIXED deluxe 4-steps, antislip steps	14.00	1.00	77568	501.04
Smart stainless steel ladder MIXED deluxe 5-steps, antislip steps	15.00	1.00	77569	551.79

Dimensions: page: 102



Smart hand rail deluxe, type A

made of bright polished stainless steel tubes ø43 mm (AISI304 / V2A), including installation kit (rubber bumper, screws and nuts AISI304 / V2A), produced according to EN 13451-1, EN 13451-2

Product	G-kg	PU	Prod.No.	Price €
Smart hand rail, type A	9.30	1.00	77596	430.84

Dimensions: page: 102



Smart hand rail deluxe, type B

made of bright polished stainless steel tubes ø43 mm (AISI304 / V2A), including installation kit (rubber bumper, screws and nuts AISI304 / V2A), produced according to EN 13451-1, EN 13451-2

Product	G-kg	PU	Prod.No.	Price €
Smart hand rail deluxe, type B	3.00	1.00	77597	430.84

Dimensions: page: 102



Smart hand rail deluxe, type C

made of bright polished stainless steel tubes ø43 mm (AISI304 / V2A), including installation kit (rubber bumper, screws and nuts AISI304 / V2A), produced according to EN 13451-1, EN 13451-2

Product	G-kg	PU	Prod.No.	Price €
Smart hand rail deluxe, type C	6.05	1.00	77598	430.84

Dimensions: page: 102



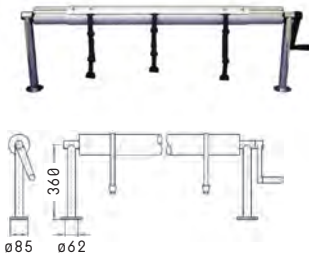
Smart hand rail

for pool and spa entry zones.

Made of bright polished stainless steel tubes $\varnothing 43$ mm (AISI304 / V2A), including installation kit (rubber bumper, screws and nuts AISI304 / V2A), produced according to EN 13451-1, EN 13451-2

Product	G-kg	PU	Prod.No.	Price €
Smart hand rail 1220 mm	12.20	1.00	77582	586.11
Smart hand rail 1524 mm	13.60	1.00	77583	782.49

Dimensions: page: 103



Ocean® reel for pool cover, fixed

V4A stainless steel side parts and aluminium telescopic rod, incl. installation kit, recommended for pools up to 15x6 m

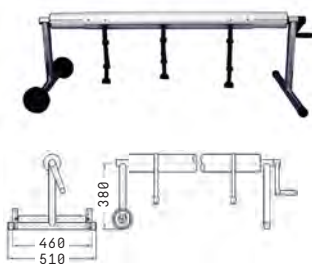
Product	G-kg	PU	Prod.No.	Price €
Ocean® Reel Fixed 2,6-4,3m (incl. Installation kit 50-3300)	12.50	1.00	74361	387.82
Ocean® Reel Fixed 4,1-5,7m (incl. Installation kit 50-3305)	15.50	1.00	74362	450.28
Ocean® Reel Fixed 5,3-6,9m (incl. Installation kit 50-3310)	17.50	1.00	74363	512.75



Ocean® reel for pool cover, flexible

V4A stainless steel side parts and aluminium telescopic rod, corrosion-free, incl. installation kit, recommended for pools up to 15x6 m

Product	G-kg	PU	Prod.No.	Price €
Ocean® Reel flexible 2,6-4,3m (incl. Installation kit 50-3315)	16.00	1.00	74364	450.28
Ocean® Reel flexible 4,1-5,7m (incl. Installation kit 50-3320)	19.00	1.00	74365	512.75
Ocean® Reel flexible 5,3-6,9m (incl. Installation kit 50-3325)	21.00	1.00	74366	575.22



Ocean® reel for pool cover, mobile

V4A stainless steel side parts and aluminium telescopic rod, corrosion-free, incl. installation kit, recommended for pools up to 15x6 m

Product	G-kg	PU	Prod.No.	Price €
Ocean® Reel mobile 2,6-4,3m (incl. Installation kit 50-3330)	17.41	1.00	74367	471.12
Ocean® Reel mobile 4,1-5,7m (incl. Installation kit 50-3335)	17.50	1.00	74368	533.58
Ocean® Reel mobile 5,3-6,9m (incl. Installation kit 50-3340)	22.79	1.00	74369	596.02



Ocean® reel for pool cover, tele

V4A stainless steel side parts and aluminium telescopic rod, corrosion-free, incl. installation kit, recommended for pools up to 15x6 m

Product	G-kg	PU	Prod.No.	Price €
Ocean® Reel tele 2,6-4,3m (incl. Installation kit 503343)	14.00	1.00	74370	545.29
Ocean® Reel tele 4,1-5,7m (incl. Installation kit 503344)	17.00	1.00	74371	607.76



Locking device for all reels not included in delivery, see chapter Spare Parts

BRING COLOUR INTO THE POOL

ADAGIO SPECTRA & PRO

Adagio under water lights are innovative LED lighting solutions assembled with high quality components and materials making them very powerful, efficient and economical in use. All Adagio lights are attuned to each other for easy fittings and installations with smart technology like QickConnect™, PressFit™ or ClickOn™.



QickConnect™

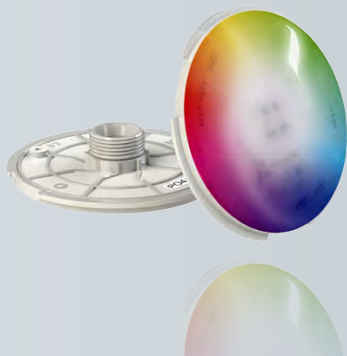
Extremely reliable and easy to mount proprietary connector with gold plated contacts. The power-line wires can be inserted without the need to be stripped and are fixed with selfpiercing contact screws.

PressFit™

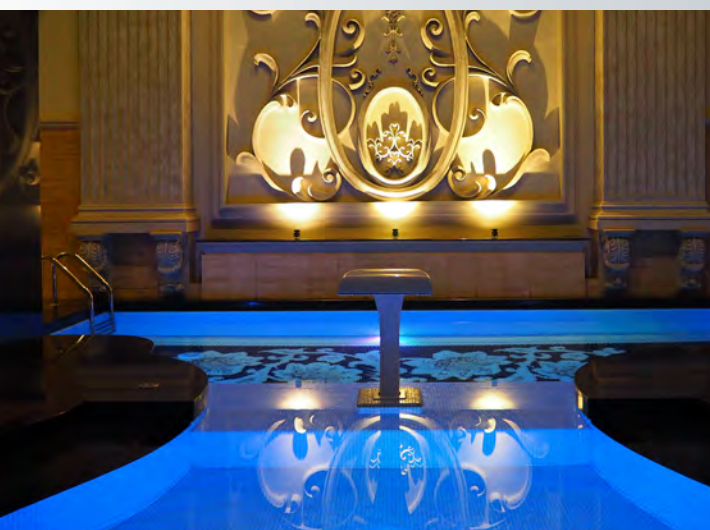
An adjustable light mounting system that allow pool lights to be fitted seamlessly to the wall, even if the wall conduits have not been mounted 100% vertically.

ClickOn™

An innovative concept of easily interchangeable face plates for pool lights. A wide selection of face plates is available allowing detailed personalization.



According to the pool size and the individual requirements the Adagio's are available in the dimensions 5, 10 or 17 cm diameter and can be specifically mounted in 1½" IG wall conduits.

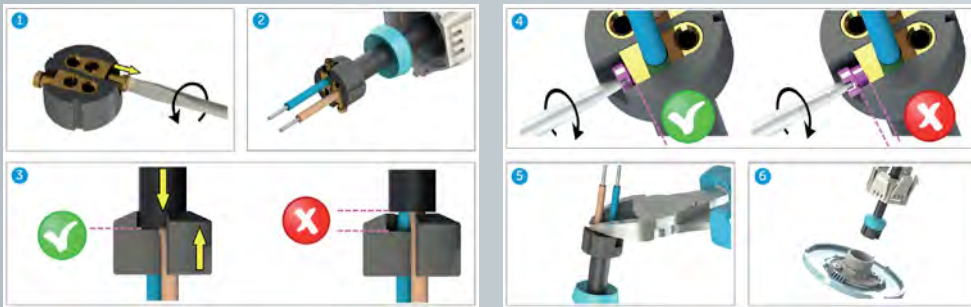
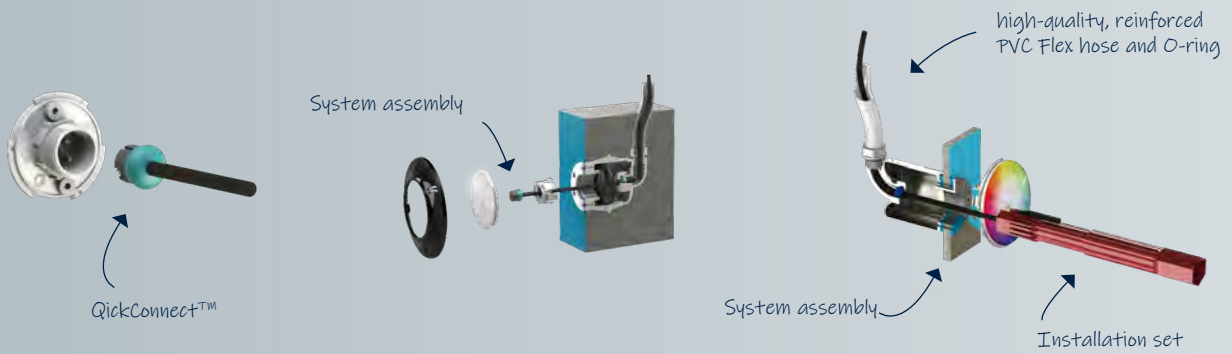


Customer pool with under water lights: Medan, Indonesia

DIFFERENCES ADAGIO SPECTRA & PRO

FUNCTIONS	SPECTRA	PRO
Powered by 12 VAC, only two cables needed	o	o
Quick Connect (reliable connector system)	o	o
NoAir (no air gaps, fully potted)	o	o
3 sizes (5, 10, 17 cm Ø)	o	o
Exchangeable face plates	o	o
Wall conduits available for all wall types	o	o
Color change by On/Off control	o	o
2 m rubber cable included	o	
4 m rubber cable included		o
Controlable via Adagio Pro remote control (Dimming possible)		o
connectivity RS-485 and DMX512		o
Highest luminous flux		o
Maxium diffused Maximale light distribution due to breiten radiation angle avoiding shadow areas in the pool		o
Dimming possibility		o
Lifespan (hours)	> 25.000	> 50.000

EASY & EFFORTLESS INSTALLATION

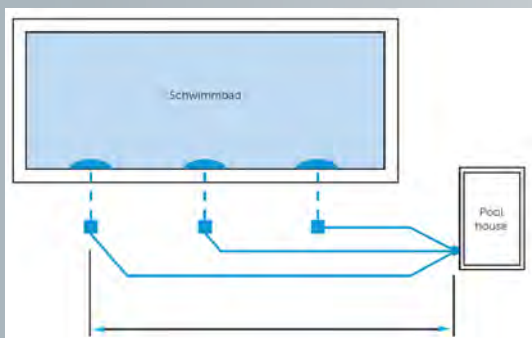


Images: QuickConnect™

MANUAL FOR WIRING

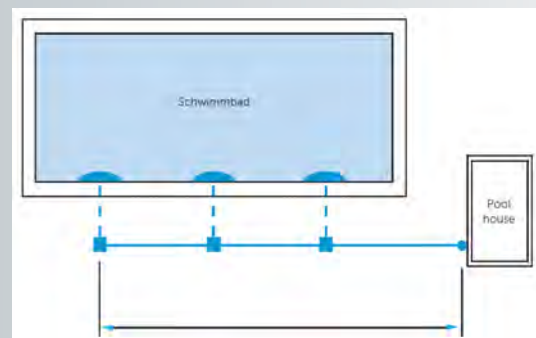
For new installation

Each lamp is connected to the transformer via a separate cable.



For existing installation

All spotlights are connected to the transformer via one separate cable.



- - - - cable included in delivery
 ——— separate cable (not included in delivery)
 Please take the necessary length and profiles of the cable from the technical brochure



Adagio Pro 17

LED/RGB 3.000 lm, 75 W, lifespan up to 50.000 h, diameter 170 mm, 11 various colours, dimmable, use also for replacement of PAR56, incl. 4 m 2-pole cable with junctions

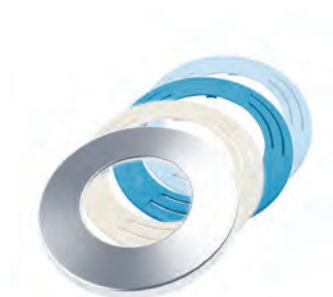
Product	G-kg	PU	Prod.No.	Price €
Adagio Pro 17 LED RGB 3000 lm, 75 W, diameter 170 mm	1.02	6.00	75214	722.93
Adagio Pro 17 LED warmwhite 3000 Kelvin, 4950 lm, 60 W, diameter 170 mm	1.02	1.00	75220	479.93
Adagio Pro 17 LED white 5000 Kelvin, 5500 lm, 60 W, diameter 170 mm	1.03	1.00	75217	467.77



Adagio Spectra 17

similar to series Adagio Pro, reduced service scope, see beginning of the chapter

Product	G-kg	PU	Prod.No.	Price €
Adagio Spectra 17 LED RGB 900 lm, 13,5 W, diameter 170 mm	0.00	1.00	7300789	242.44
Adagio Spectra 17 LED RGB 1600 lm, 24,5 W, diameter 170 mm	0.00	1.00	7300790	418.00
Adagio Spectra 17 LED white 1400 lm, 15 W, diameter 170 mm	0.00	1.00	7300791	200.64
Adagio Spectra 17 LED white 2800 lm, 24,5 W, diameter 170 mm	0.00	1.00	7300792	372.01



Adagio covers 17

Adagio covers are available in V4A stainless steel, white, light blue and more. Optimal colour matching with Ocean® deluxe swimming pool liners, more colours on request

Product	G-kg	PU	Prod.No.	Price €
Adagio 17 cover white	0.15	6.00	74402	48.39
Adagio 17 cover sand white	0.92	1.00	74405	48.39
Adagio 17 cover light grey	0.17	1.00	74719	49.64
Adagio 17 cover light blue	0.14	1.00	74403	48.39
Adagio 17 cover blue	0.92	1.00	74404	48.39
Adagio 17 cover black	0.00	1.00	74720	49.64
Adagio 17 cover stainless steel	0.50	1.00	74504	189.64

Dimensions: Ø approx. 250 cm, detailed dimensions for each type on request



Adagio Pro 10

LED/RGB 1.700 lm, 45 W, lifespan up to 50.000 h, diameter 100 mm, 11 different colours, dimmable, incl. 4 m 2-pole cable with junctions

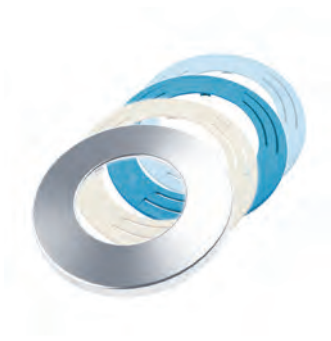
Product	G-kg	PU	Prod.No.	Price €
Adagio Pro 10 LED RGB 1700 lm, 45 W, diameter 100 mm	0.62	1.00	75215	577.13
Adagio Pro 10 LED warmwhite 3000 Kelvin, 2350 lm, 30 W, diameter 100 mm	0.61	1.00	75221	334.13
Adagio Pro 10 LED white 5000 Kelvin, 2600 lm, 30 W, diameter 100 mm	0.60	1.00	75218	321.97



Adagio Spectra 10

similar to series Adagio Pro, reduced service scope, see beginning of the chapter

Product	G-kg	PU	Prod.No.	Price €
Adagio Spectra 10 LED RGB 850 lm, 13,5 W, diameter 100 mm	0.00	1.00	7300787	296.77
Adagio Spectra 10 LED white 1300 lm, 13,5 W, diameter 100 mm	0.00	1.00	7300788	225.72



Adagio covers 10

Adagio covers are available in V4A stainless steel, white, light blue and more. Optimal colour matching with Ocean®deluxe swimming pool liners, more colours on request

Product	G-kg	PU	Prod.No.	Price €
Adagio 10 cover white	0.10	0.00	78596	31.03
Adagio Pro 10 cover sand white	0.56	1.00	740077	44.41
Adagio 10 cover light grey	0.10	1.00	74717	39.01
Adagio 10 cover light blue	0.10	1.00	78593	31.03
Adagio 10 cover blue	0.10	1.00	78595	31.03
Adagio 10 cover black	0.10	1.00	74718	39.01
Adagio 10 cover stainless steel flat ss316	0.11	1.00	74484	142.55

Dimensions: Ø approx. 180 cm, detailed dimensions for each type on request

Adagio Pro 5

LED/RGB 400 lm, 10 W, lifespan up to 50.000 h, diameter 50 mm, 11 different colours, dimmable, incl. 4 m 2-pole cable with junctions



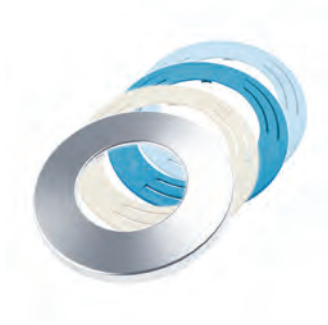
Product	G-kg	PU	Prod.No.	Price €
Adagio Pro 5 LED RGB 400 lm, 10 W, diameter 50 mm	0.54	1.00	75216	341.28
Adagio Pro 5 LED warm white 3000 Kelvin, 540 lm, 6 W, diameter 50 mm	0.54	1.00	75223	317.07
Adagio Pro 5 LED white 5000 Kelvin, 600 lm, 6 W, diameter 50 mm	0.54	1.00	75219	308.99



Adagio Spectra 5

similar to series Adagio Pro, reduced service scope, see beginning of the chapter

Product	G-kg	PU	Prod.No.	Price €
Adagio Spectra 5 LED RGB 250 lm, 4,5 W, diameter 50 mm	0.00	1.00	7300785	175.56
Adagio Spectra 5 LED white 350 lm, 4,5 W, diameter 50 mm	0.00	1.00	7300786	150.48

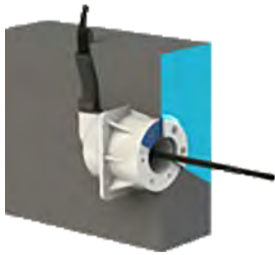


Adagio covers 5

Adagio covers are available in V4A stainless steel, white, light blue and more. Optimal colour matching with Ocean® deluxe swimming pool liners, more colours on request

Product	G-kg	PU	Prod.No.	Price €
Adagio Pro 5 cover white	0.03	1.00	73685	28.02
Adagio Pro 5 cover light blue	0.40	1.00	740073	30.75
Adagio Pro 5 cover black	0.40	1.00	740072	30.75
Adagio Pro 5 cover stainless steel, model F	0.15	1.00	79373	88.84

Dimensions: Ø approx. 250 cm, detailed dimensions for each type on request



Adagio Pro wall conduit

for liner and concrete pools ABS, short design, hose connection 25 mm

Product	G-kg	PU	Prod.No.	Price €
Adagio Pro wall conduit short, with thread connection inside	0.43	6.00	75230	62.01

Dimensions: page: 103



Adagio Pro wall conduit

for liner and concrete pools ABS, long design d50, with female thread

Product	G-kg	PU	Prod.No.	Price €
Adagio Pro wall conduit long, with thread connection inside	0.80	1.00	75236	77.06

Dimensions: page: 103



Adagio Pro wall conduit

for polyester/vinylester pools, PP pools, etc. ABS, with lock nut and female thread

Product	G-kg	PU	Prod.No.	Price €
Adagio Wall conduit for polyester pool	0.72	1.00	75235	75.18

Dimensions: page: 103



Adagio Pro wall conduit

for Stainless Steel pools V4A stainless steel, with female thread

Product	G-kg	PU	Prod.No.	Price €
Adagio Pro wall conduit stainless steel with thread connection inside	1.54	1.00	75237	428.99

Dimensions: page: 104

Moonlight RGB multicolour insert
inclusive V4A stainless steel cover



UPGRADE YOUR POOL

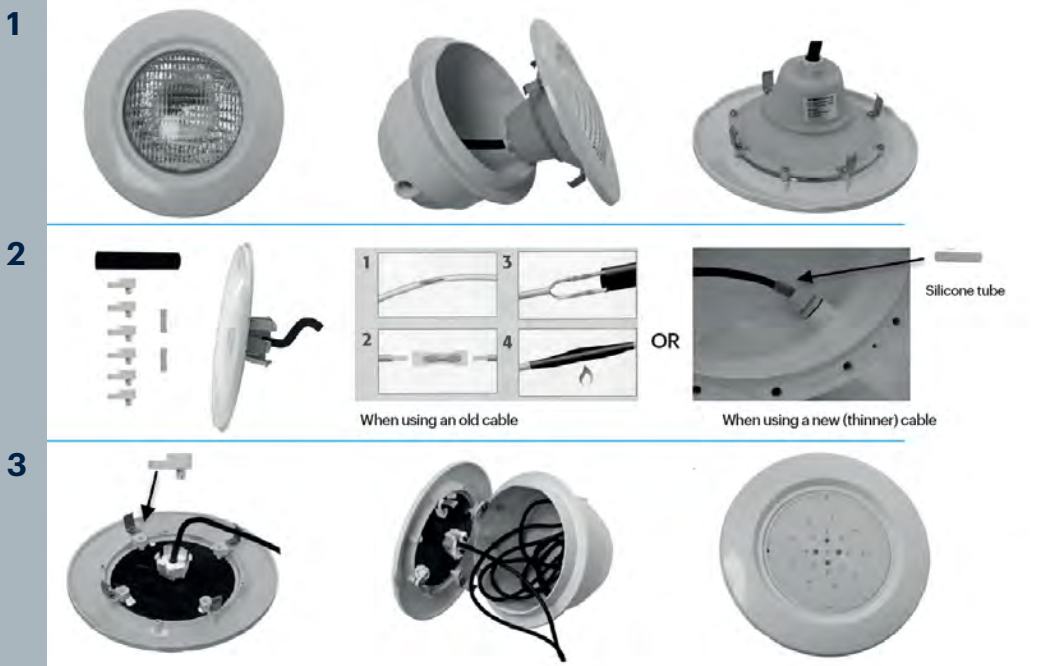
MOONLIGHT UNDER WATER LIGHTS

Benefit from the economical and effective advantages with the retrofit of LED Moonlight underwater lighting.

The Moonlight underwater light offers a range of fixed colours as well as dynamic scenarios. It convinces with the ultra-flat design and following characteristics:

- » Diameter 17 cm
- » Completely compatible with PAR56 niche
- » Lifespan LEDs: > 25.000 hours
- » NoAir™ housing filled with resin, so it avoids air gaps
- » Compatible with salt electrolysis
- » inclusive 4 m cable made of rubber
- » RGB offers 16 different colours

RETROFIT IN PAR56-BRACKET





Moonlight RGB multicolour

with installation clamps for all common light brands and all common 300 W light frames, niches for retrofitting, optional with remote control, IP68, input voltage 8 V AC-14 V AC, 4 m cable 2-wire, 16 colours

Product	G-kg	PU	Prod.No.	Price €
Moonlight RGB 15 W 575 lm	0.97	1.00	74738	194.40
Moonlight RGB 21 W 925 lm	0.97	1.00	74739	236.93
Moonlight RGB 25 W 1450 lm	0.98	1.00	74740	321.97



Moonlight LED

with installation clamps for all common light brands and all common 300 W light frames, niches for retrofitting, optional with remote control, IP68, input voltage 8 V AC-14 V AC, 4 m cable 2-wire

Product	G-kg	PU	Prod.No.	Price €
Moonlight White 16 W 1250 lm	0.99	1.00	74741	194.40
Moonlight White 19 W 1850 lm	1.00	1.00	74742	236.93
Moonlight White 28 W 2100 lm	1.01	1.00	74743	321.97



Moonlight installation set

incl. cover

Product	G-kg	PU	Prod.No.	Price €
Moonlight installation set incl. cover	0.37	1.00	74383	58.50



RGB not included in delivery

Moonlight stainless steel cover

Product	G-kg	PU	Prod.No.	Price €
Moonlight stainless steel cover AISI 316	0.50	1.00	75062	227.78

Transformer TORO DIN

220-230 V IN, 12 V AC OUT, acc. DIN



Product	G-kg	PU	Prod.No.	Price €
Transformer TORO DIN 150W	1.40	1.00	740053	105.70
Transformer TORO DIN 350W	3.60	1.00	740054	130.00
Transformer TORO DIN 700W	7.00	1.00	740063	185.90



Transformer TORO IP64

220-230 V IN, 12 V AC OUT, IP64, encapsulated

Product	G-kg	PU	Prod.No.	Price €
Transformer TORO IP64 150W	3.08	1.00	740060	179.35
Transformer TORO IP64 350W	4.86	1.00	740061	230.65
Transformer TORO IP64 700W 220-230 v IN 12 VAC OUT IP64	9.55	1.00	740062	280.19



Adagio Pro remote control

DMX512 and RS-485 connection, incl. 1 hand transmitter (with transformer 300 VA), dimming function

Product	G-kg	PU	Prod.No.	Price €
Adagio 10+ Controller with transformer 300VA DMX512 & RS-485 connectivity	6.88	1.00	740039	483.57
Adagio Pro Control DMX and RS-485 connectivity, 1 hand transmitter included	0.68	1.00	79380	360.87



Hand transmitter for remote controls

Product	G-kg	PU	Prod.No.	Price €
Adagio remote control Pro	0.04	1.00	75030	99.10



Remote control for Adagio Pro, Spectra and Moonlight with transformer

for function OFF/ON and colour regulation for Adagio RGB MULTICOLOUR, incl. hand transmitter, operating distance 40–100 m, also for Moonlight (with transformer 200 VA, input 230 V AC/output 12 V AC max 200 W)

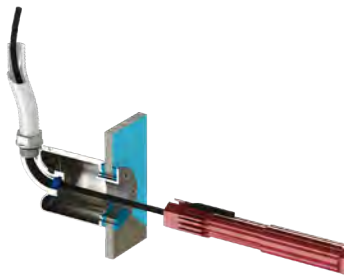
Product	G-kg	PU	Prod.No.	Price €
Adagio 10 remote control with transformer 1 transmitter, input 12 V AC	3.73	1.00	78870	307.40



Remote control for Adagio Pro, Spectra and Moonlight without transformer

for functions OFF/ON and colour regulation for Adagio RGB MULTICOLOUR, operating distance 40–100 m (without transformer, incl. hand transmitter, input 12 V AC)

Product	G-kg	PU	Prod.No.	Price €
Adagio 10 remote control 2 transmitter, input 12 V AC	0.59	1.00	78600	177.40



Installation set

for Adagio wall conduit

Product	G-kg	PU	Prod.No.	Price €
Adagio installation set	0.13	1.00	75556	19.02



Ocean® under water light M5 deluxe 300W-12V

ABS body, 300W-12V PAR 56 bulb (162,5 lumen), 1 m cable protection hose, 2,50 m HO7RN-F 2 x 4 cable, corrosion free, chem. resistance, IP68 protection code, sealings, screw set, change of bulb without lowering of water level, only for under water operation, side cable outlet, illumination area.: ~16 m2, installation distance.: ~ 4 m, depth: 65 cm from pool edge

Product	G-kg	PU	Prod.No.	Price €
Underwater light ocean M5 stainless steel inserts A4 for liner pools ABS 300W 12V with flange and sealing set	2.58	1.00	74376	119.34
Underwater light ocean for liner pools ABS white 300W 12V with flange set & 18 pcs. Brass inserts + 25 mm screws	2.80	1.00	77018a	158.62
Underwater light ocean for polyester pool ABS 300W 12V incl. flange and sealing set 18x brass inserts	2.58	1.00	77018	158.62
Underwater light PT, self-cutting screws set, ABS 300V 12V, with flange set for liner pools	3.00	1.00	78935	133.17

Dimensions: page: 104



Ocean® under water light 300 W/12 V (black)

for polyester and liner pools ABS, flange set, 18 x brass inserts, 35 mm screws for installation in liner pools we recommend 25 mm screws

Product	G-kg	PU	Prod.No.	Price €
Underwater light Ocean® ABS black 300W 12V incl. Flange and Sealing Set 18x brass inserts	2.58	1.00	78021	169.37

Dimensions: page: 104



Ocean® stainless steel under water light, 300 W-12 V

AISI-316 stainless steel cover and ABS niche, 300W-12V PAR 56 bulb (162.5 lumen), 2.50 m cable, HO7RN-F, 2 x 4, 1 m cable protection hose, corrosion-free, chem. resistance, protection code: IP-68, bulb change without lowering the water level, only for under water operation
Illumination area: per 300 W; under water light ~ 16 m2,
installation distance: ~ 4 m, depth: 65 cm from pool edge

Product	G-kg	PU	Prod.No.	Price €
Underwater light Ocean® for liner pools 300W 12V ss316 stainless steel cover, + ABS body, with flange set and thread inserts	3.32	1.00	74354	229.57

Dimensions: page: 104



Ocean® under water light PT for retro fitting incl. halogen lamp white

ABS, halogen lamp 100 W-12 V or 50 W-12 V, 2,5m under water cable 2 x 1,5, 1 m flexible cable protection hose, glass protection, IP68, easy installation, service friendly, UV protection, only for under water operation

Illumination area/light ~ 10 m2, installation distance: ~ 2 m depth: 65 cm above pool floor

Product	G-kg	PU	Prod.No.	Price €
Underwater light Ocean® ABS 50W 12V WPL-50 for additional assembly	1.20	5.00	74357	98.20
Under water light Ocean® ABS 100W 12V WPL-100 for retrofitting	1.35	1.00	74356	98.20



Transformer for 50W-600W/RGB and LED

recommended for Ocean® under water light

Product	G-kg	PU	Prod.No.	Price €
Transformer 50 W, 12 V	3.22	1.00	75034	79.57
Transformer 100 W, 12 V	3.76	1.00	75035	99.16
Transformer 300W, 12V	4.99	1.00	75036	144.12
Transformer 400W, 12V	4.93	1.00	75037	171.80
Transformer 600W, 12V	9.34	1.00	75038	207.54



Ocean® electrical junction box

junction box made of strong, white ABS material. This junction box is compatible with all under water lights, with square lid, with O-ring and four stainless steel screws. UV-resistant and chem. resistance

Product	G-kg	PU	Prod.No.	Price €
Wire-connecting-box ocean ABS white thread ends CB-100 Height= 100mm	0.29	30.00	74360	8.81

Dimensions: page: 104



DESIGNING EMOTIONS

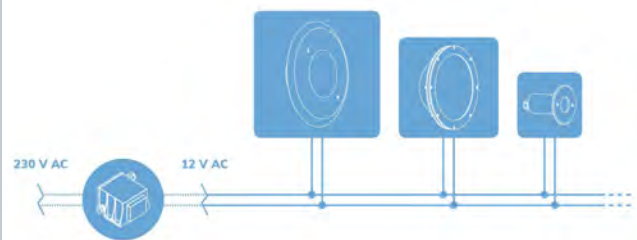
UNDERWATER LIGHTING WITH THE MAGIC SERIES

The new underwater LED series from Peraqua gives the pool a touch of magic. The lights create scenes, achieve spaces and awaken emotions. The RGB colors relax or activate, causing the pool with static and dynamic color changes a situational character.

WHITE

2 wires

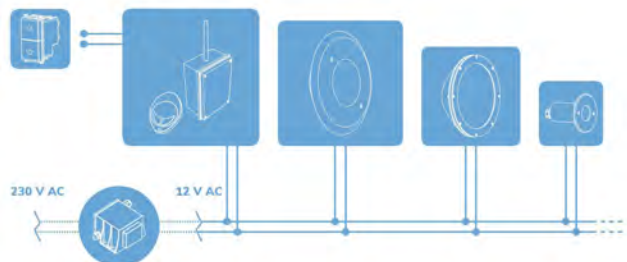
LED lamps with 2-wire cable with fixed white colour (w) or blue (b)



RGB POWER LINE

2 wires

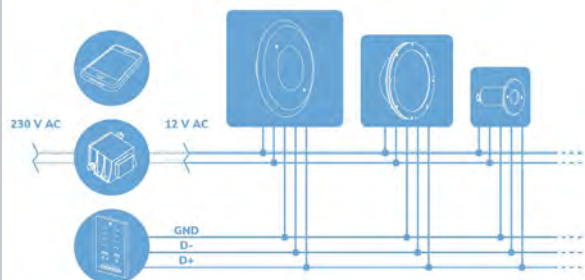
LED lamps that change colour using RGBW technology with 2-wire cable compatible with existing systems, controlled by a PLC system with which it is possible to set 13 fixed colours and 10 automatic sequences.



RGB DMX

5 wires

LED lamps that change colour using RGBW technology with 5-wire cable controlled by a DMX system. Every lamp can be programmed individually so that the spaces can be divided into different zones, making it possible to create automatic sequences and infinite combinations colours.





Smart Magic LED under water light

Peraqua under water lights Smart Magic series high end quality level, ABS white good, V4A light incl. frame, available in LED white, RGB powerline (colour change) and RGB DXM (colour change, dimming function, etc.), each single lamp has a serial number, for liner pools, made in EU.

Product	G-kg	PU	Prod.No.	Price €
Smart Magic LED underwater spotlight ABS for liner pools V4A cover 4060 lumen white	0.00	1.00	7300813	1518.73
Smart Magic LED underwater spotlight ABS for liner pools V4A cover 1990 lumen RGB powerline	0.00	1.00	7300814	2020.33
Smart Magic LED underwater spotlight ABS for liner pools V4A cover 1896 lumen RGB DMX	0.00	1.00	7300815	2020.33

Dimensions: page: 105

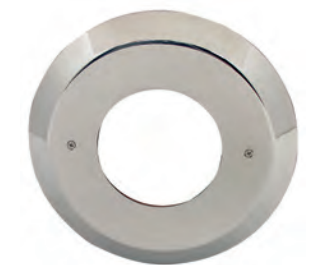


Smart Magic Round 20 LED under water lights KS

round version of the Smart Magic series, diameter ca. 20cm incl. frame, ABS white good, V4A lamp incl. POM frame, available in LED white, RGB powerline (colour change) and RGB DXM (colour change, dimming function, etc.), each single lamp has a serial number, for liner pools, made in EU.

Product	G-kg	PU	Prod.No.	Price €
Smart Magic Round 20 LED spotlight KS for liner pools POM cover 4330 lumen white	0.00	1.00	7300816	975.33
Smart Magic Round 20 LED spotlight KS for liner pools POM cover 2170 lumen RGB powerline	0.00	1.00	7300817	1309.73
Smart Magic Round 20 LED spotlight KS for liner pools POM cover 2170 Lumen RGB DMX	0.00	1.00	7300818	1309.73

Dimensions: page: 105



V4A frame for Smart Magic Round 20 LED under water light

Product	G-kg	PU	Prod.No.	Price €
V4A cover for Smart Magic Round 20 LED underwater spotlight	0.00	1.00	7300819	111.46



Smart Magic Round 13 LED under water lights KS

round version of the Smart Magic series, diameter ca. 13cm incl. frame, ABS white good, V4A lamp incl. POM Blende, available in LED white, RGB powerline (colour change) and RGB DXM (colour change, dimming function, etc.), each single lamp has a serial number, for liner pools, made in EU.

Product	G-kg	PU	Prod.No.	Price €
Smart Magic Round 13 LED underwater spotlight KS for liner pools POM cover white 790 lumen white	0.00	1.00	7300820	362.26
Smart Magic Round 13 LED underwater spotlight KS for liner pools POM cover white 432 lumen RGB powerline	0.00	1.00	7300821	685.52
Smart Magic Round 13 LED underwater spotlight KS for liner pools POM cover white 432 lumen RGB DMX	0.00	1.00	7300822	685.52

Dimensions: page: 105



Symbol Image

Wall conduit long for Smart Magic Round 13 LED

for liner pools, for changing the lamp without draining of the pool water, cable can stay in the cable gland

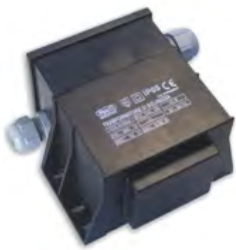
Product	G-kg	PU	Prod.No.	Price €
Wall extension long for Smart Magic Round 13 LED underwater spotlight for liner pools	0.00	1.00	7300823	41.80

Dimensions: page: 105



V4A frame for Magic Round 13 LED

Product	G-kg	PU	Prod.No.	Price €
V4A cover for Smart Magic Round 13 LED underwater spotlight	0.00	1.00	7300824	50.16



Transformer for Smart Magic LED

under water light 230VAC - 12VAC

Product	G-kg	PU	Prod.No.	Price €
Trafo 100VA for Smart Magic LED underwater spotlight 230V - 12VA	0.00	1.00	7300825	126.79
Trafo 300VA for Smart Magic LED underwater spotlight 230V - 12VA	0.00	1.00	7300826	278.66



Signal transmitter with remote control for Magic LED

for under water light RGB powerline

Product	G-kg	PU	Prod.No.	Price €
Signal transmitter with remote control for Smart Magic LED underwater spotlight RGB powerline	0.00	1.00	7300827	627.00



Signal transmitter with button for Smart Magic LED

for under water light RGB powerline

Product	G-kg	PU	Prod.No.	Price €
Signal transmitter with button for Smart Magic LED underwater spotlight RGB powerline	0.00	1.00	7300828	370.62



DMX Box for Smart Magic LED

for Smart Magic LED under water light RGB DMX

Product	G-kg	PU	Prod.No.	Price €
DMX box for Smart Magic LED underwater spotlight RGB DMX	0.00	1.00	7300829	905.66



Remote control for DMX Box

Product	G-kg	PU	Prod.No.	Price €
Remote control for DMX box	0.00	1.00	7300830	313.50



Replacement lamp for Wibre LED

Product	G-kg	PU	Prod.No.	Price €
Replacement lamp V4A 2970 Lumen white	0.00	1.00	7300831	1397.04
Replacement lamp V4A 1990 Lumen RGB powerline	0.00	1.00	7300832	1679.43
Replacement lamp V4A RGB DMX	0.00	1.00	7300833	1679.43

FIGHT THE STREAM

JET STREAMS - THE PERFECT COUNTER-CURRENT SYSTEMS FOR EACH POOL

Transform your pool to an endless swimming lane by activating and controlling the flow of the pool at the touch of a button with an adjustable flow, swimming becomes a sporting challenge even in smaller pools.

JetStream was named the world's first counter-current system. The name comes from the weather phenomenon JetStream, an up to 500 km/h airflow sweeping over the earth at a height of about 15 km.

In our assortment we offer facilities with pump capacities of up to 225 m³ water per hour, that all have one thing in common: a current for everyone, even for the most skilled swimmers.

TRIVA

For professional training and ambitious athletes*

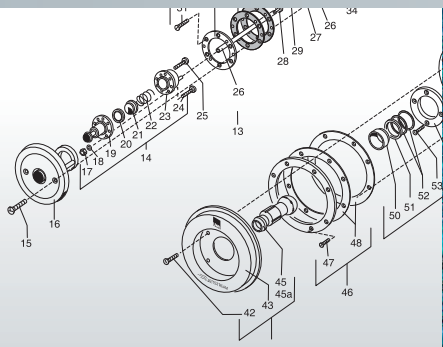


JUNO

Double benefit – for amateur athletes and wellness-lovers



**powerful flow just below the water surface, exactly at the level of the chest and shoulder muscles*



Enjoy our spare part service for all jet stream types.



At pool construction we recommend to already install the wall fitting for a jet stream. Thus, a simple and subsequent integration of a jet stream system is guaranteed.

MIRO

For tricky placement and individual pool facilities

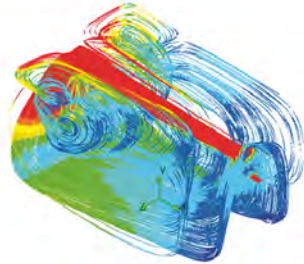
EUROJET & DUNA

For maximum pleasure at minimal installation effort



Smart jet stream TRIVA

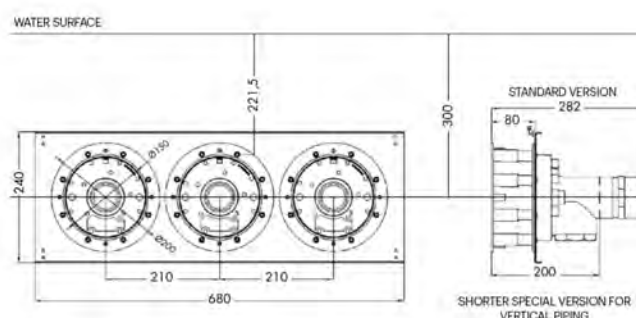
The new JetStream TriVA countercurrent swimming unit with innovative flat technology that generates a flat, powerful current just under the surface of the water.



Flow simulation Triva

- Suitable for professional training
- Flow rates from 75 m³/h to 225 m³/h
- FLAT-Stream Technology
- Extremely powerful and smooth current
- Less turbulent water surface than with conventional countercurrent systems
- 3-step operation via Jetstream PIEZO
- Wall fitting in high quality ABS plastics
- Optional available: wall fittings in stainless steel (316TI) with weld flange
- Front blinds in stainless steel 316TI, mirror polished
- Voltage: three-phase current (~3N 400 V AC)
- Pump flow rate 75m³/h | 2x 75m³/h | 3x 75m³/h
- 3 flat-stream nozzles
- JetStream PIEZO
- 2 or 4 separate safety suction covers WAVE 40 | WAVE 100

Product	G-kg	PU	Prod.No.	Price €
Wall fitting set TriVA 75 complete, ABS				
Wall fitting set TriVA 75 containing: - Wall fitting TriVA nozzle - Wall fitting switch - 2x wall fitting Wave 40	13.50	1.00	7300733	3973.43
Wall fitting set TriVA 150 complete, ABS				
Wall fitting set TriVA 150 containing: - Wall fitting TriVA nozzle - Wall fitting switch - 4x wall fitting Wave40	17.00	1.00	7300734	4810.64
Wall fitting set TriVA 225, complete ABS				
Wall fitting set TriVA225 containing: - Wall fitting TriVA nozzle - Wall fitting switch - 2x wall fitting Wave100	27.30	1.00	7300735	5439.04
Nozzle housing TriVA 75 stainless steel				
Nozzle housing TriVA 75 stainless steel	13.50	1.00	7300736	4061.56
Nozzle housing TriVA 150 stainless steel				
Nozzle housing TriVA 150 stainless steel	17.00	1.00	7300737	5117.18
Nozzle housing TriVA 225 stainless steel				
Nozzle housing TriVA 225 stainless steel	9.00	1.00	7300738	5990.80
Supplementary Parts Triva 75				
Supplementary Parts Triva 75 - front plate TriVA, Stainless steel - Piezo switch with rect. stainless steel front plate - 2x Wave 40, 285x285mm, stainless steel - 1x Pump 3-400V, 3,5 KW 2,5" - control box - accessories	39.00	1.00	7300739	9889.52
Supplementary Parts Triva 150				
Supplementary Parts Triva 150 - front plate TriVA, Stainless steel - Piezo switch with rect. stainless steel front plate - 4x Wave 40, 285x285mm, stainless steel - 2x Pump 3-400V, 3,5 KW 2,5" - control box - accessories	67.00	1.00	7300740	10770.82
Supplementary Parts Triva 225				
Supplementary Parts Triva 225 - front plate TriVA, Stainless steel - Piezo switch with rect. stainless steel front plate - 2x Wave 100, 358x565mm, stainless steel - 3x Pump 3-400V, 3,5 KW 2,5" - control box - accessories	95.00	1.00	7300741	12799.66
Clamping frame set TriVA 75				
Clamping frame set TriVA 75for all wall fittings of TriVA75	2.30	1.00	7300742	969.40
Clamping frame set TriVA150				
Clamping frame set TriVA150 for all wall fittings of TriVA150	3.00	1.00	7300743	1283.60
Clamping frame set TriVA225				
Clamping frame set TriVA225 for all wall fittings of TriVA225	5.90	1.00	7300744	1544.15



Dimensions for cover:
 Front Panel: 640 x 220 x 15 mm
 Piezo-electric button: 141 x 220 x 15 mm
 Front Panel Suction Wave 40: 220 x 220 x 20 mm
 Front Panel Suction Wave 100: 545 x 338 x 20 mm



Stainless Steel design



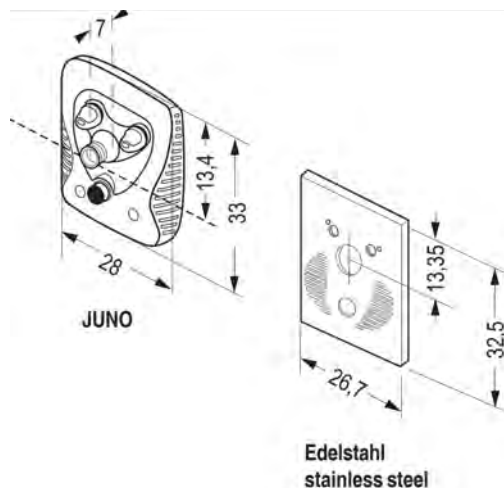
Stainless Steel cover

Smart jet stream JUNO

Small beginnings, big effects. Is there a countercurrent system which makes big waves for a small investment? Yes, and it's called JetStream JUNO. Up to 18 litres per second can be forced through its swivel nozzle. Or just as much as you are comfortable with – because the force of the flow can be fully regulated by just turning the knob, for example, if you want a relaxing pressure point massage using the massage hose and the back jet. The flow of oxygen for a tingling air bubble bath can also be fully regulated.

- JetStream JUNO comes in three alternative materials. Premium quality plastic in white or stainless steel optic or in stainless steel.
- an installation kit that can be welded to the pool is available for stainless steel pools.
- Power consumption: 3.500 Watt
- Flow: 18 litres per second (65 m³/h)
- Integrated suction
- Swivel nozzle with fully adjustable flow
- Adjustable air bubble bath
- On/Off pneumatic air switch
- Stainless steel version with JetStream PIEZO

Product	G-kg	PU	Prod.No.	Price €
JUNO Wall-Fitting PVC				
JUNO Wall-Fitting PVC	5.00	1.00	7300745	630.29
JUNO Wall Fitting Stainless Steel				
JUNO Wall Fitting stainless steel with weld flange for stainless steel pools	3.90	1.00	7300746	1515.41
JUNO Supplementary Parts white, 3,5 kW				
JUNO Supplementary parts white, 3,5 kW, 3 phase pump	30.70	1.00	7300747	4657.38
JUNO Supplementary Parts white, 3,2 kW				
JUNO Supplementary Parts white with PVC Fitting, 3,2 kW, 1 phase pump	35.40	1.00	7300748	4787.65
JUNO Supplementary Parts 3,5 KW 3-phase				
JUNO Supplementary Parts 3,5 KW 3-phase in silver Version	30.70	1.00	7300749	5111.44
JUNO supplementary parts white, 3,5 kW, 3 phase pump				
JUNO Supplementary Parts 3,2 KW 1-phase in silver version	30.70	1.00	7300750	5241.72
JUNO Piezo Supplementary Parts				
JUNO Piezo Supplementary Parts - Nozzlehousing Piezo - frontplate Piezo stainless steel - 3.5kW pump 3-400V, 2" - control box - decoupling hoses, ball valves - accessories	30.70	1.00	7300751	5856.68
JUNO Supplementary PartsFront plate Piezo				
JUNO Supplementary Parts front plate Piezo in stainless steel with 1-phase 3,2 KW pump	30.70	1.00	7300752	5967.81
Supplementary parts Juno with front plate in stainless steel				
Supplementary parts Juno with front plate in stainless steel for wall-Fitting stainless steel with piezo 3,5 kW 3-Ph	38.00	1.00	7300753	5856.68
Supplementary parts Juno with front plate in stainless steel				
Supplementary parts Juno with front plate in stainless steel for wall-Fitting stainless with piezo 3,2kW 1-Ph	38.00	1.00	7300754	5967.81
Clamping frame JUNO				
Clamping frame JUNO for liner pools	0.64	1.00	7300755	293.10





Smart jet stream EUROJET

A big performance for a small outlay: the JetStream EUROJET compact system proves it's possible. PVC ball valves, PVC pipes and the control panel – all the components are pre-assembled. It takes minimum effort to install, but gives maximum pleasure. Either 13 or 11 liters per second (there are two versions of JetStream EUROJET), a swivel nozzle, fully adjustable flow and an air bubble bath option. In short: you get a lot for a little.

- Flow: 11 to 13 liters per second
- Swivel nozzle with fully adjustable flow
- Air bubble bath
- On/Off pneumatic air switch
- Salt water resistant up to 3%
- ABS cover

Product	G-kg	PU	Prod.No.	Price €
EUROJET Wall- Fitting				
EUROJET Wall- Fitting with PVC Fittings	4.30	1.00	7300757	454.03
EUROJET Supplementary Parts white version				
EUROJET Supplementary Parts white version with PVC fittings with 2,5 KW, 3-phase pump	33.00	1.00	7300758	3195.61
EUROJET Supplementary Parts white version				
EUROJET Supplementary Parts white version with PVC fittings with 1,7 KW, 1-phase pump	25.00	1.00	7300759	3346.95
Clamping Frame for liner pools				
Clamping Frame for liner pools EUROJET, DUNA	1.00	1.00	7300760	195.42



NEW



Smart jet stream DUNA

A powerful Countercurrent unit for little money, similar to EUROJET, however with more compact and designed front parts. Higher performance with 11 to 18 liters / sec. Pre-assembled. Swivel nozzle. Adjustable flow and an air bubble bath option.

- Flow 11 to 18 liters / sec.
- Pre-assembled
- nice, modern design
- best cost/performance ratio

Product	G-kg	PU	Prod.No.	Price €
Wall Fitting for DUNA				
Wall Fitting for DUNA	4.30	1.00	7300761	454.03
DUNA Supplementary Parts for PVC fittings				
DUNA Supplementary Parts for PVC fittings with 3,5 KW, 3-phase pump	31.00	1.00	7300762	3368.04
DUNA Supplementary Parts for PVC fittings				
DUNA Supplementary Parts for PVC fittings with 3,2 KW, 1-phase pump	34.00	1.00	7300763	3323.96
Clamping Frame for liner pools				
Clamping Frame for liner pools EUROJET, DUNA	1.00	1.00	7300760	195.42

The jet stream DUNA is the more powerful version of EUROJET with high-quality and more compact front panel.

NEW



Also available in ABS white

Smart jet stream MIRO 1

JetStream MIRO is not only an impressive sight in the side of the pool, but can also add a sophisticated touch to any swimming pool steps. The performance matches the appearance. With a maximum flow of 18 litres per second, the mighty JetStream MIRO is one of the big boys of the JetStream range. But as with all JetStream counter-current systems, on JetStream MIRO too the force of the jet can be fully regulated with the control knob. With JetStream MIRO you can do far more than just try your strength at swimming. Turn the knob and the thrusting flow from the nozzle changes to a soft shower of bubbles. Use the massage hose and the back jet to loosen up tense muscles and relax exactly those parts of your body which need it most. Or turn the pressure down to half power and stand right in front of the nozzle for a powerful all-over massage. You'll have to hold on tight though, perhaps using the handles you will find among the JetStream accessories.

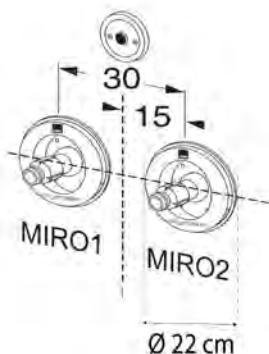
- Flow: 12 to 21 litres per second
- 1-2 swivel nozzles with fully adjustable flow
- Air bubble bath
- Stainless steel version with JetStream PIEZO available
- Separate suction
- Suction grille in stainless steel or white

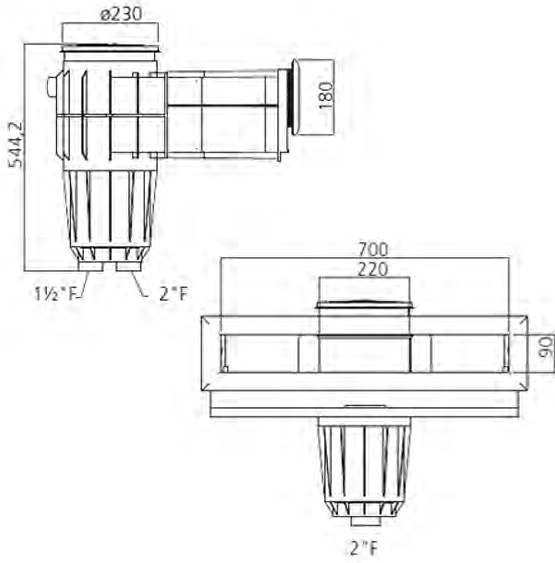
Product	G-kg	PU	Prod.No.	Price €
MIRO 1 Wall- fitting set ABS				
MIRO 1 Wall- fitting set ABS containing: 1x wall fitting nozzle 1x wall fitting switch 2x wall fitting suction	6.00	1.00	7300764	1731.91
MIRO 1 Supplementary Part set ABS white				
MIRO 1 Supplementary Part set ABS white - nozzle + front plate white - 2.5kW 3-400V pump - 2 suction grills - pneu- matic switch - control box - various fittings and accessories	30.30	1.00	7300765	2912.06
MIRO 1 Supplementary Part set stainless steel				
MIRO 1 Supplementary Part set stainless steel - nozzle silver + front plate stainless steel - 3.5kW 3-400V pump - 2 suction grills stainless steel - Piezo switch - control box - various fittings and accessories	34.00	1.00	7300766	4004.08
MIRO 1 Clamping frame for liner pools				
MIRO 1 Clamping frame for liner pools	1.80	1.00	7300767	444.47



Optionally with 2 swingable nozzles
with controllable thrust, also available
in ABS white

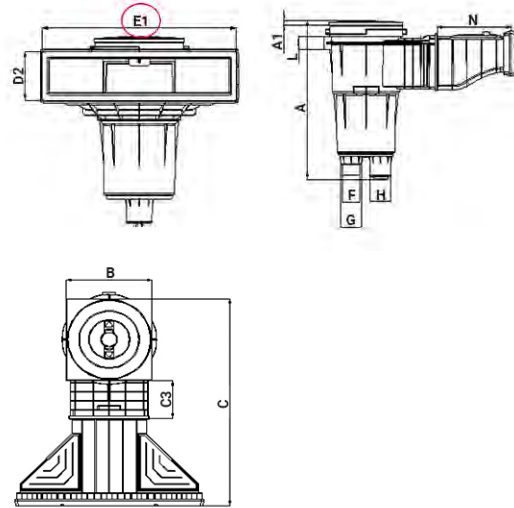
Product	G-kg	PU	Prod.No.	Price €
MIRO 2 Wall- fitting set ABS				
MIRO 2 Wall- Fitting set ABS containing: 2x wall fitting nozzle 1x wall fitting switch 2x wall fitting suction	12.00	1.00	7300768	3107.47
MIRO 2 Supplementary Part set ABS white				
MIRO 2 Supplementary Part set ABS white - 2x nozzle + front plate white - 3.5kW 3-400V pump - 2 suction grills - pneumatic switch - control box - various fittings and accessories	41.00	1.00	7300769	3368.04
MIRO 2 Supplementary Part set stainless steel				
MIRO 2 Supplementary Part set stainless steel - 2x nozzle silver + 2x front plate stainless steel - 3.5kW 3-400V pump 2,5" - 2 suction grills stainless steel - Piezo switch - control box - various fittings and accessories	41.00	1.00	7300770	4871.95
MIRO 2 Clamping frame set for liner pools				
MIRO 2 Clamping frame set for liner pools	3.00	1.00	7300771	787.39





Smart Skimmer High75, ABS

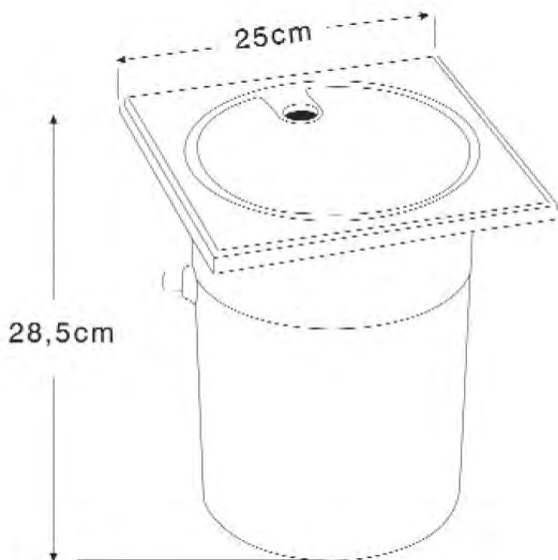
Prod.No.
78491 white
78515 black



Smart Skimmer High50 white ABS

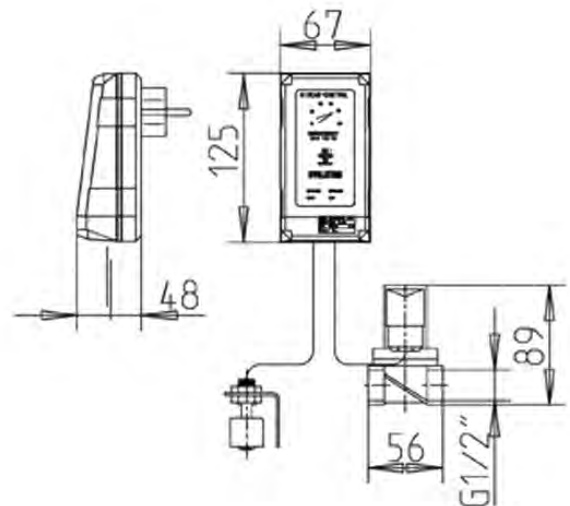
Prod.No.
7300488 white. ABS

A	A1	B	C	C3	D2
483,8	14,5	250,3	634	117,4	142,5
E1	F	G	H	L	N
539,1	60	45	60	32	249,2



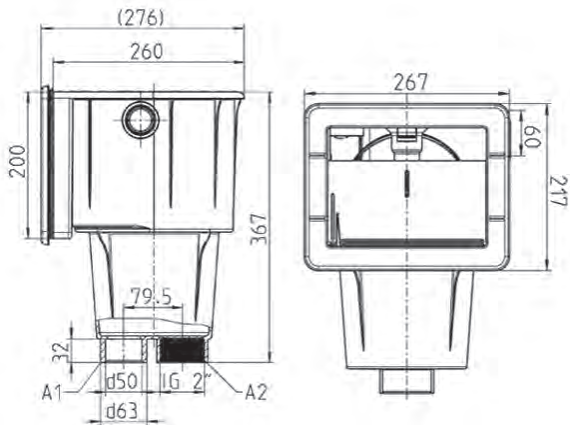
Ocean water regulation system

Prod.No.
78583 white



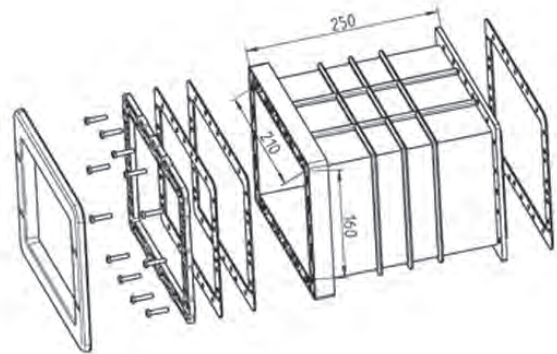
Niveau control NC01

Prod.No.
130293



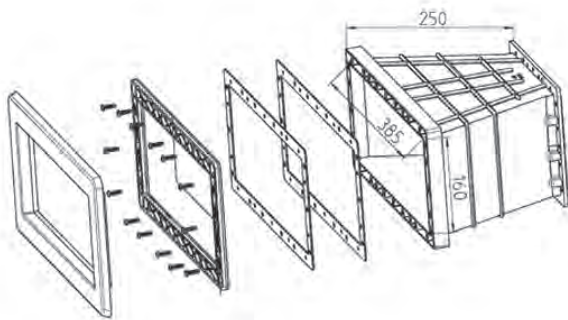
Ocean® Skimmer

- Prod.No.
 170560A M5 deluxe, white
 170542A PT, white
 170967 PT, grey
 170598A PT, black



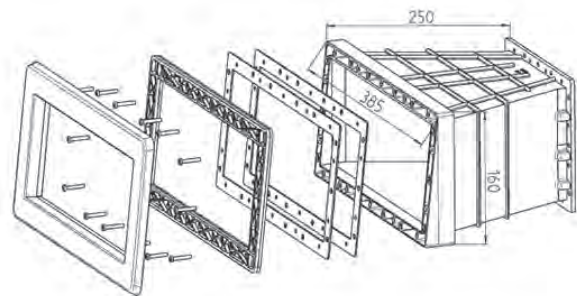
Ocean® skimmer extension

- Prod.No.
 170613A M5 deluxe, white
 170612A PT, white
 170920A PT, black



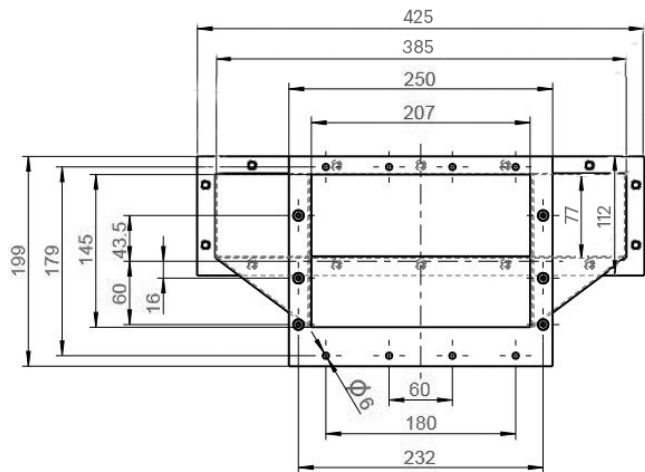
Ocean® skimmer wide mouth extension

- Prod.No.
 170615A M5 deluxe, white
 170614A PT, white
 170968 PT, grey
 170925A PT, black



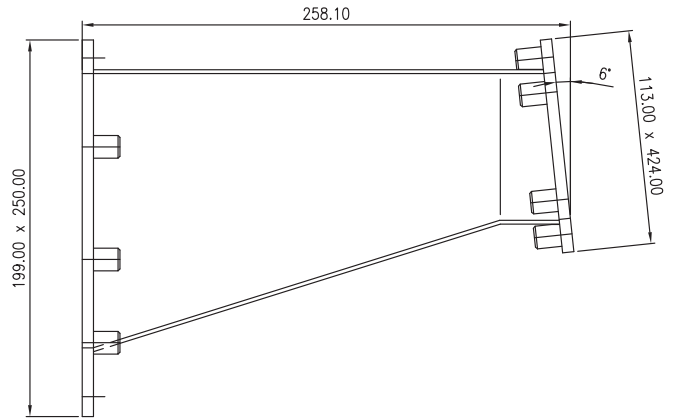
Ocean® skimmer wide mouth/slanted flange (6°)

- Prod.No.
 170915A M5 deluxe, white
 170969 PT, grey
 170926A PT, black



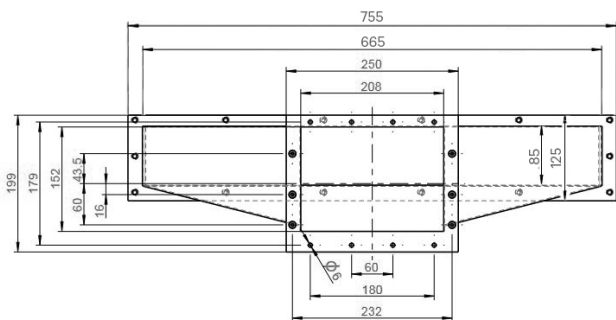
Ocean® stainless steel extension for High47

Prod.No.
78517 V4A stainless steel
outer cover dimensions: 465 x 135 mm
inner cover dimensions: 380 x 70 mm



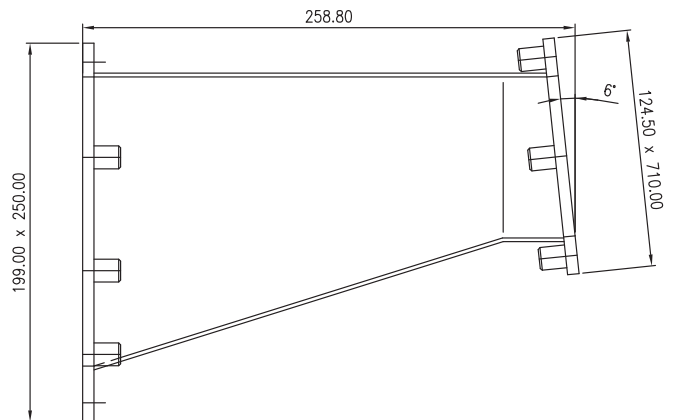
Ocean® stainless steel extension for High47 6°

Prod.No.
74705 V4A stainless steel



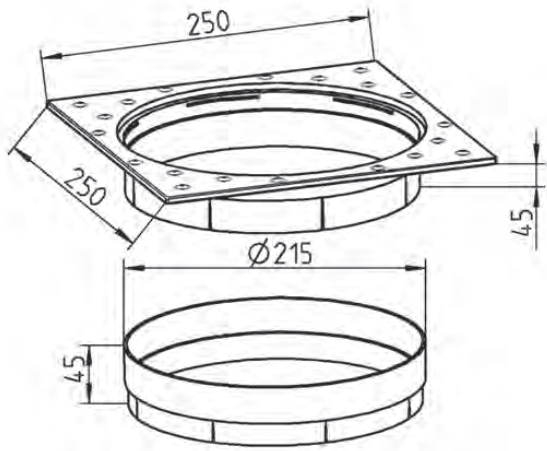
Ocean® stainless steel extension for High 75

Prod.No.
78516 V4A stainless steel
outer cover dimensions: 755 x 145 mm
inner cover dimensions: 655 x 75 mm



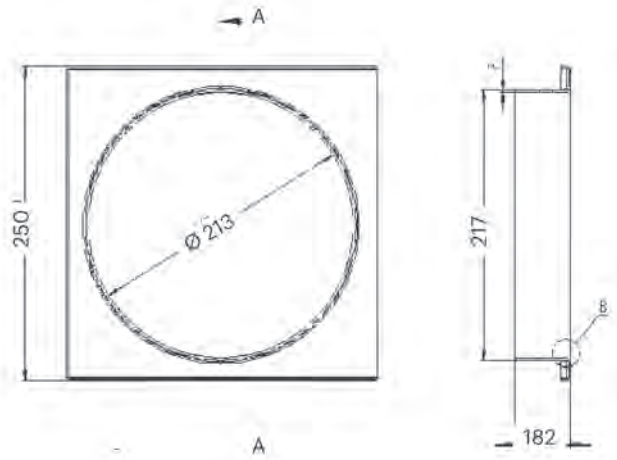
Ocean® stainless steel extension for High 75

Prod.No.
74706 V4A stainless steel



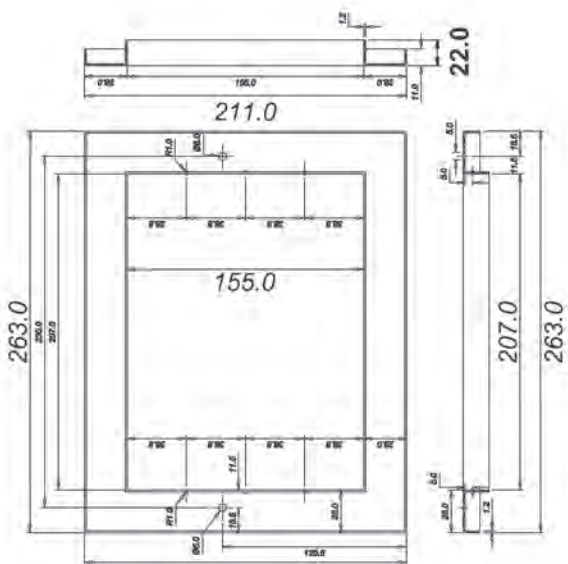
Ocean® height extension deluxe

- Prod.No.
 170607 white, collar + extension rings
 150495 grey, collar
 150402 black, collar
 150379 white, extension rings



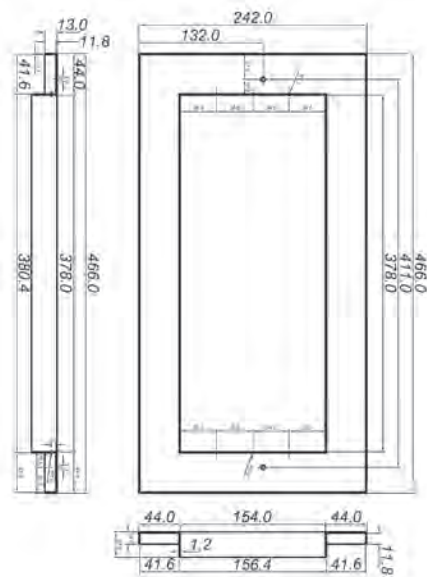
Ocean® skimmer lid and height extension stainless steel

- Prod.No.
 77587 V4A stainless steel



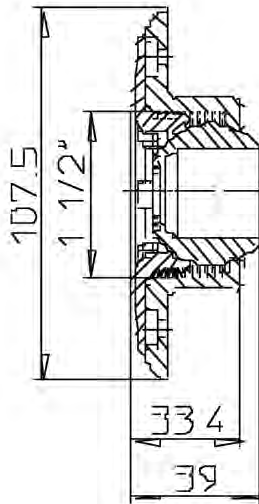
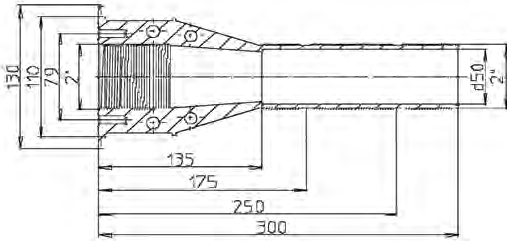
Frame Ocean® skimmer deluxe

- Prod.No.
 150385 ABS, white
 150498 ABS, grey
 150405 ABS, black
 77589 V4A stainless steel



Wide mouth frame Ocean® skimmer deluxe

- Prod.No.
 150410A ABS, white
 150500 ABS, grey
 150480A ABS, black
 77588 V4A stainless steel

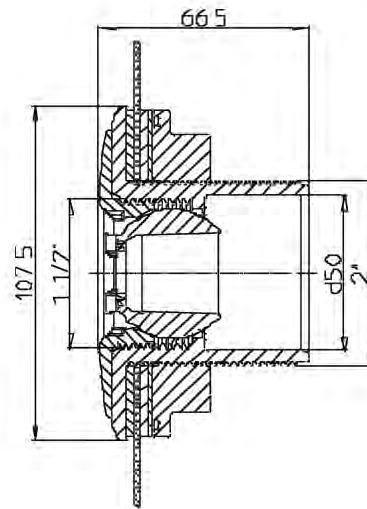
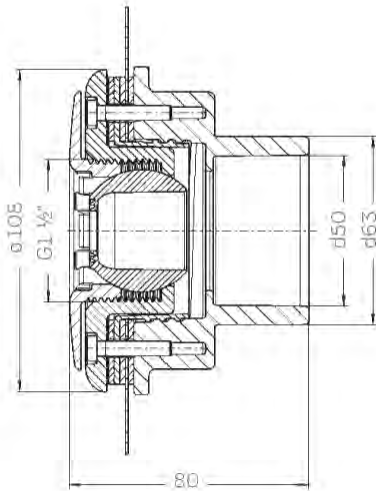


Ocean® wall conduit

- Prod.No.
 170629 M5 deluxe
 170879 PT deluxe

Ocean® inlet nozzle deluxe DIN liner pools

- Prod.No.
 170625A M5, white, DIN
 7300595 M5, grey, DIN
 170914A M5, black
 170883A PT, white, DIN
 7300598 PT, grey, DIN

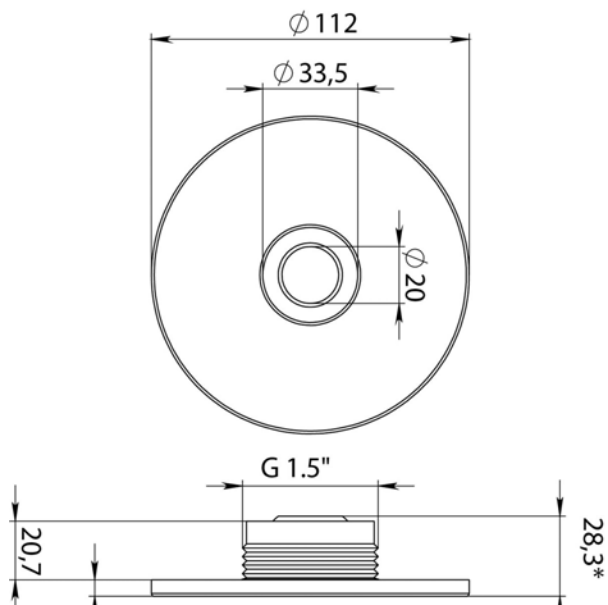


Ocean® inlet nozzle deluxe, short version

- Prod.No.
 170882A M5, white, DIN
 170881A PT, white, DIN
 7300597 PT, grey, DIN
 7300596 PT, grey
 7300599 PT, black

Ocean® inlet nozzle deluxe DIN build-up pools

- Prod.No.
 170627A white
 7300843 grey
 7300844 black



Ocean® inlet nozzle cover stainless steel

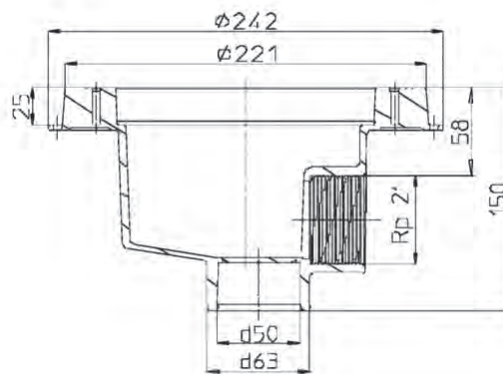
Prod.No.

77586 hole 18mm, V4A

DIN version (drilling holes included in \varnothing 20 version)

75211 hole 5mm, V4A, DIN

74410 hole 13mm, V4A, DIN



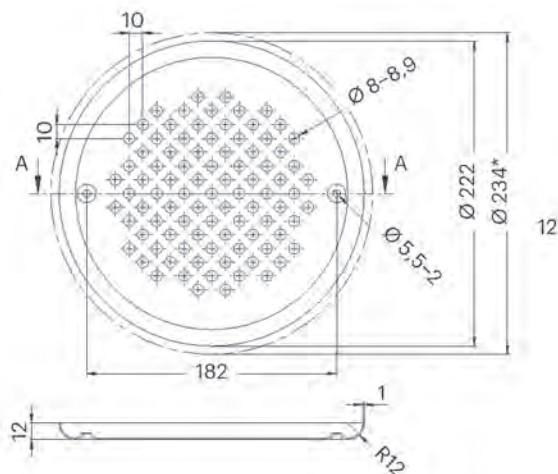
Ocean® main drain deluxe

Prod.No.

170843 M5, white

170842 PT, white

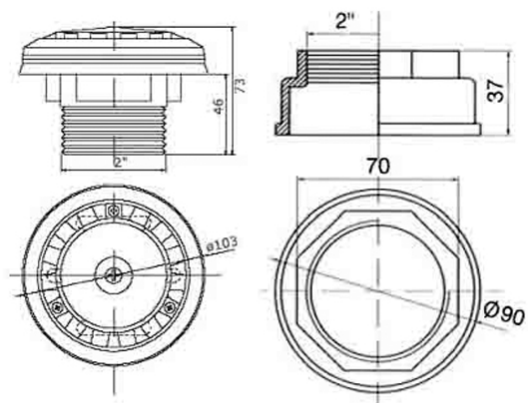
170902 PT, black



Ocean® cover for main drain deluxe

Prod.No.

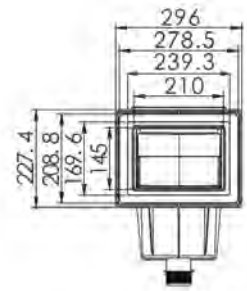
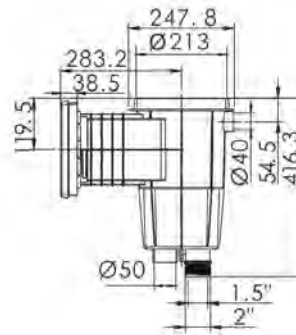
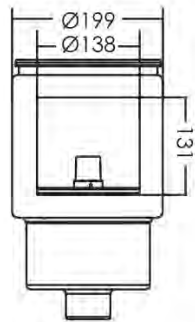
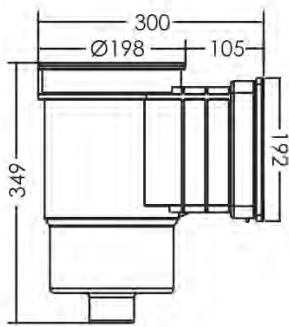
77585 V4A stainless steel



Ocean® floor inlet nozzle for liner pools

Prod.No.

74396 white

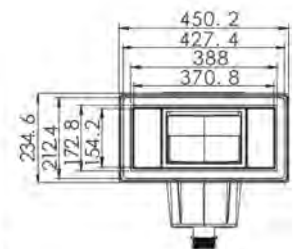
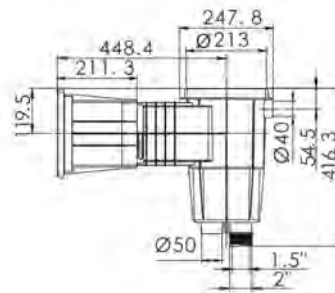
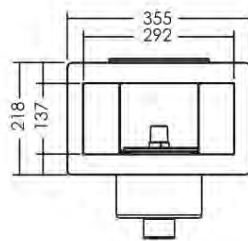
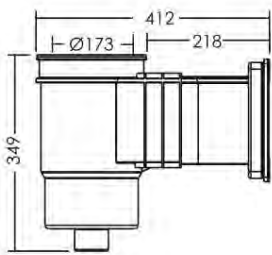


Smart skimmer

Prod.No.
7300028 ABS, white

Smart skimmer

Prod.No.
7300030 ABS, white

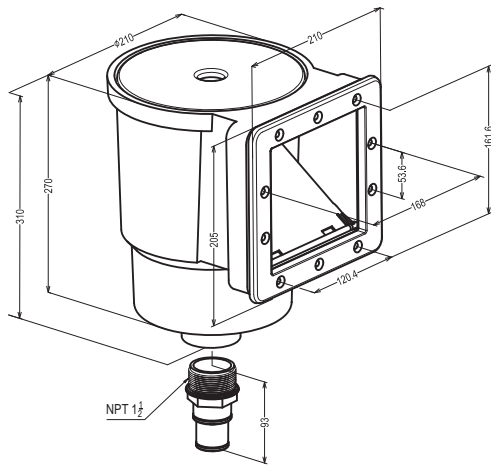


Smart wide mouth skimmer

Prod.No.
7300029 ABS, white

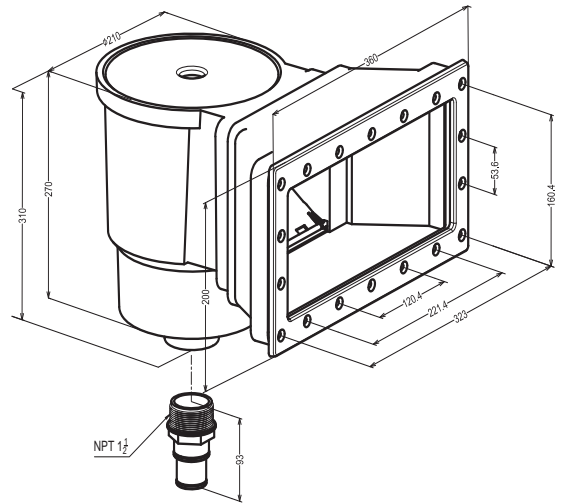
Smart wide mouth skimmer

Prod.No.
7300031 ABS, white



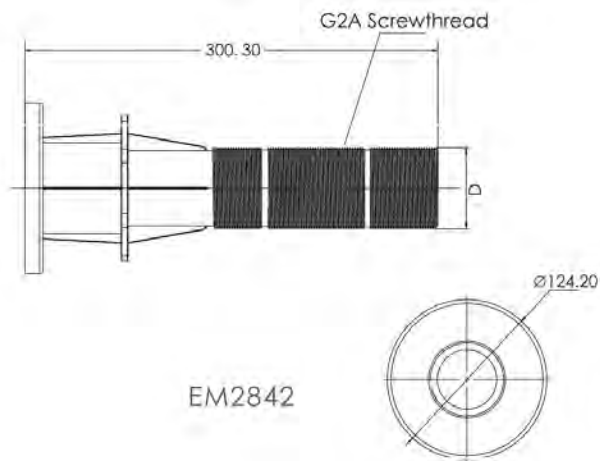
Smart skimmer Mini

Prod.No.
78735 ABS, white



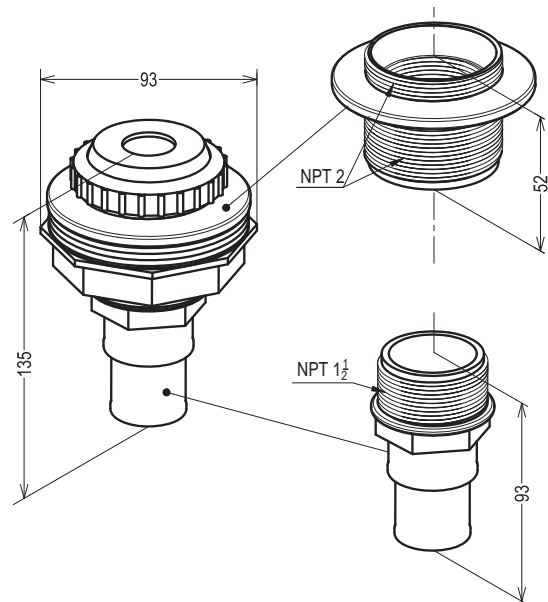
Smart skimmer Maxi

Prod.No.
78736 ABS, white



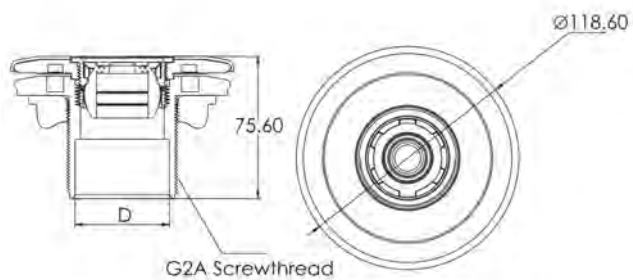
Smart wall conduit

Prod.No.
7300038 ABS, white



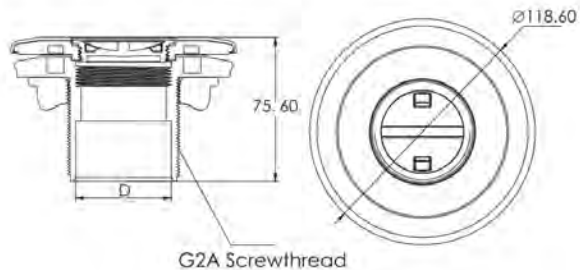
Smart inlet nozzle

Prod.No.
78737 ABS, white



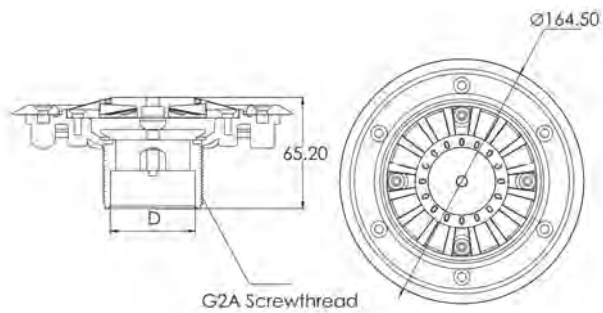
Smart inlet nozzle

Prod.No.
7300034 ABS, white



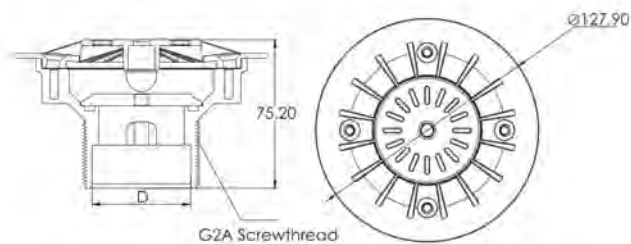
Smart vac nozzle

Prod.No.
7300037 ABS, white



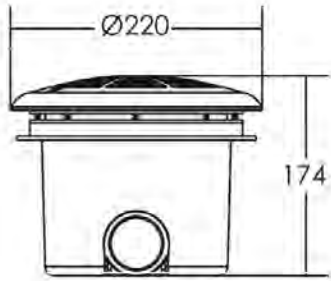
Smart floor inlet nozzle

Prod.No.
7300036 ABS, white



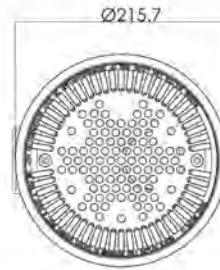
Smart floor inlet nozzle

Prod.No.
7300035 ABS, white



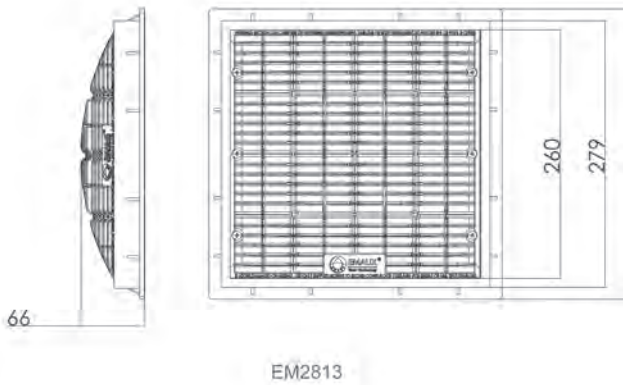
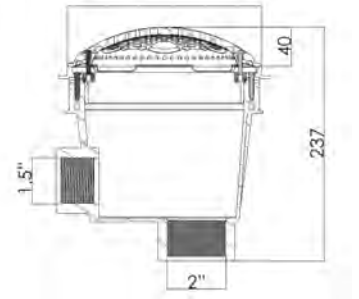
Smart main drain

Prod.No.
7300178 ABS, white



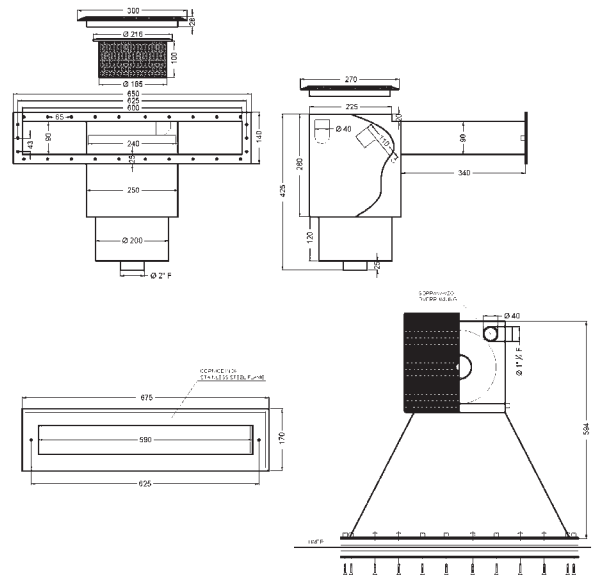
Smart main drain

Prod.No.
7300033 ABS, white



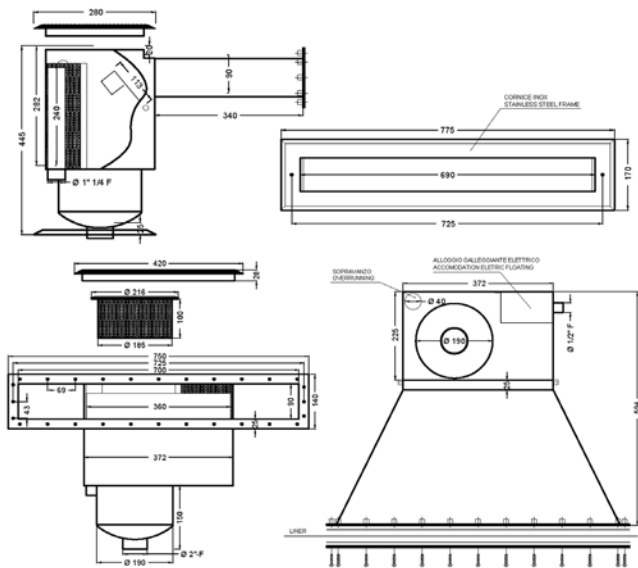
Smart main drain

Prod.No.
7300032 ABS, white



Smart stainless steel skimmer High60

Prod.No.
7300626 concret pools
7300627 concret pools + holder for niveau control
7300628 liner pools
7300629 liner pools + holder for niveau control



Smart stainless steel skimmer High70

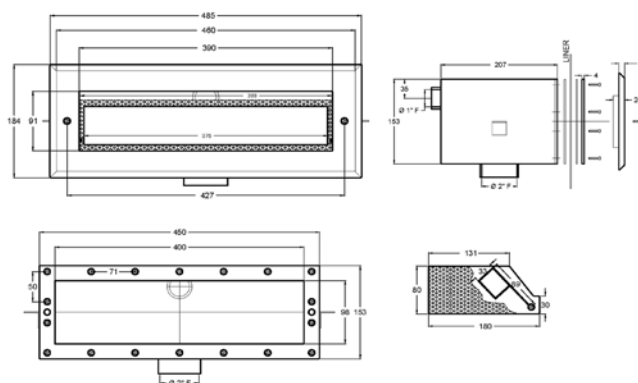
Prod.No.

7300630 Concrete pools

7300631 Concrete pools + Holder for niveau control

7300632 Liner pools

7300633 Liner pools + Holder for niveau control



Smart stainless steel skimmer High40 with basket

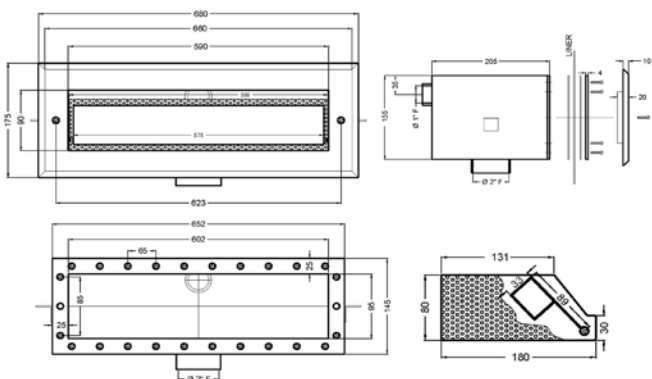
Prod.No.

7300634 Concrete pools

7300635 Concrete pools + Holder for niveau control

7300638 Liner pools

7300639 Liner pools + Holder for niveau control



Smart stainless steel skimmer High60 with basket

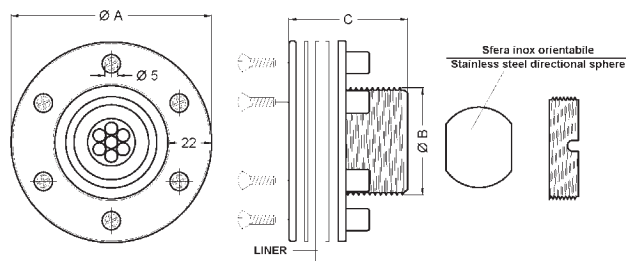
Prod.No.

7300636 Concrete pools

7300637 Concrete pools + Holder for niveau control

7300640 Liner pools

7300641 Liner pools + Holder for niveau control



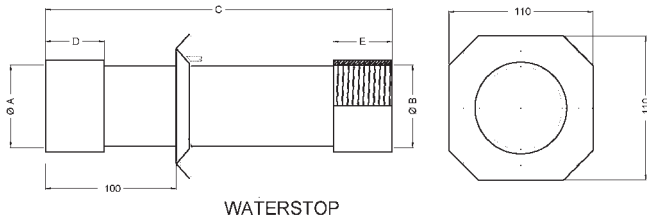
Ø A	Ø B	C	PORTATA RANGE
mm	pollici / inch	mm	mc / h
96	1" 1/2 - M	47	3,5
106	2" - M	50	5

Smart wall conduit stainless steel V4A DIN

Prod.No.

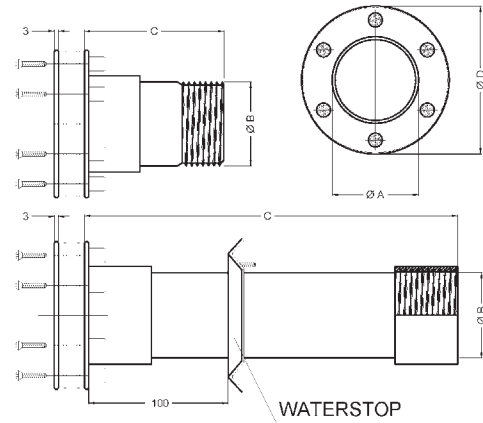
7300652 Liner pools, 1½"

7300653 Liner pools, 2"



WATERSTOP

Ø A	Ø B	C	D	E
inch / pollici	inch / pollici	mm	mm	mm
1 1/2" - F	1 1/2" - F	250	25	25
1 1/2" - F	1 1/2" - F	350	25	25
2" - F	2" - F	250	30	30
2" - F	2" - F	350	30	30



WATERSTOP

Ø A	Ø B	C	Ø D
inch	inch	m	inch
1 1/2" - F	1 1/2" - M	100	91
1 1/2" - F	1 1/2" - F	250	91
2" - F	2" - M	100	102

Smart wall conduit stainless steel V4A with water stop

Prod.No.

7300642 250 mm, 1 1/2"

7300643 350 mm, 1 1/2"

7300644 250 mm, 2"

7300645 350 mm, 2"

Smart wall conduit stainless steel V4A short version for Liner pools

Prod.No.

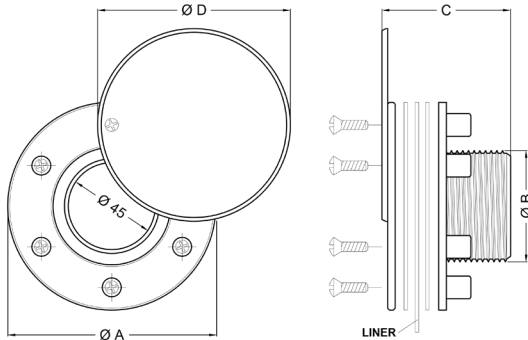
7300646 100 mm, 1 1/2"

7300647 250 mm, 1 1/2"

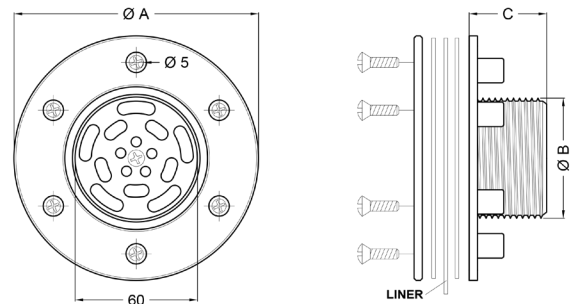
7300648 100 mm, 2"

7300649 250 mm, 2"

Symbol image: Design acc. images at chapter V4A Stainless Steel White Goods



Ø A	Ø B	C	D
mm	pollici / inch	mm	mm
106	2" - M	52	102



Ø A	Ø B	C
mm	pollici / inch	mm
120	2" - M	35

Smart wall suction stainless steel V4A

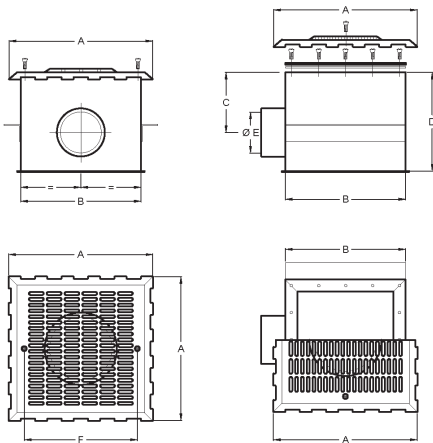
Prod.No.

7300655 Liner pools

Smart floor inlet nozzle stainless steel V4A adjustable

Prod.No.

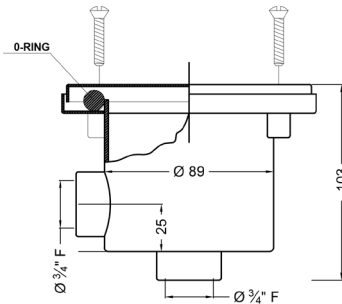
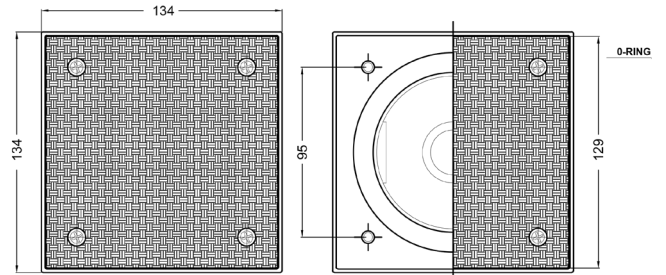
7300657 Liner pools



TIPO TYPE	A	B	C	D	Ø E	F	RANGE
mm	mm	mm	mm	mm	inches / DN	mm	mc / h
200 X 200	250	200	115	170	Ø 2" - F	176	21,71
250 X 250	300	250	150	225	Ø 3" - F	225	37,21

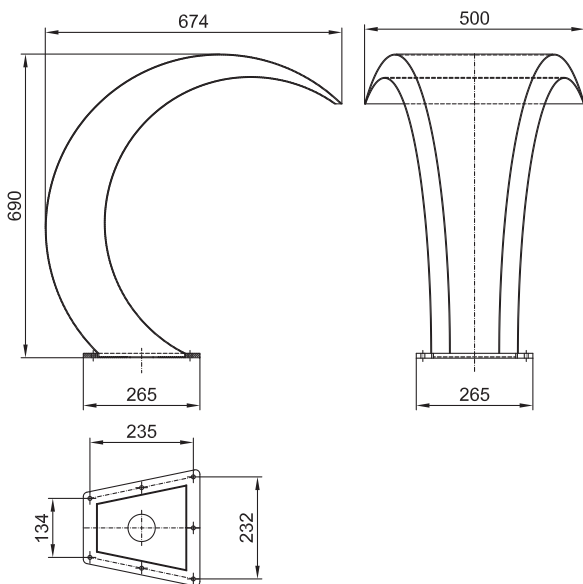
Smart main drain stainless steel V4A

7300659 Liner pools, 200x200 mm
 7300661 Liner pools, 250x250 mm



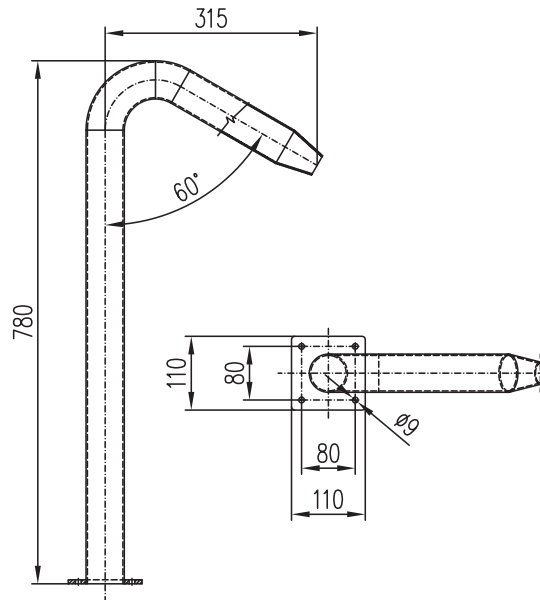
Smart junction box V4A

Prod.No.
 74503



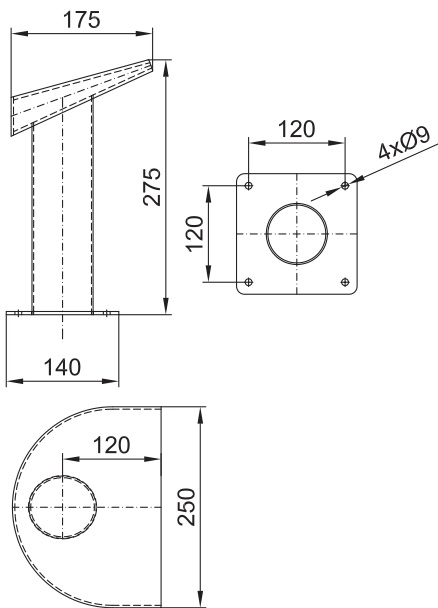
Smart flush shower SNAKE

Prod.No.
 78539 bright finish
 78540 matt



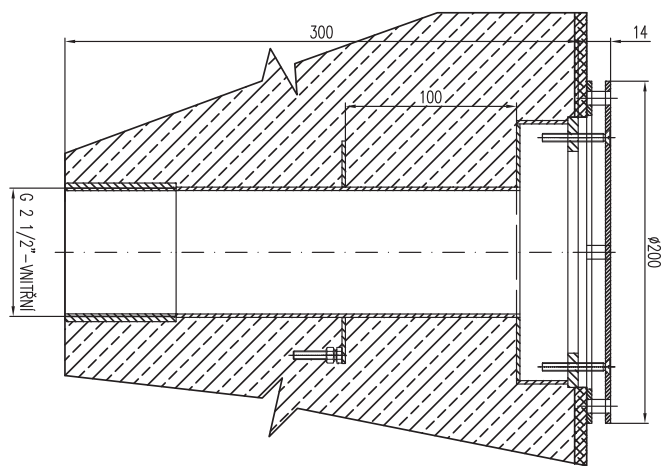
Smart flush shower SAGITTARIUS

78541 bright finish
 78542 matt



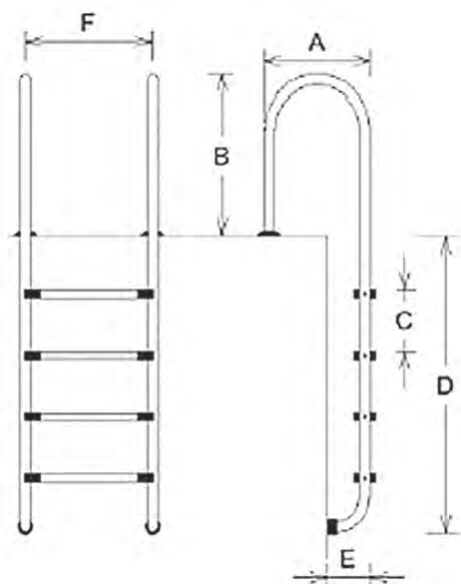
Smart flush shower SCORPIO

Prod.No.
 78543 bright finish
 78544 matt



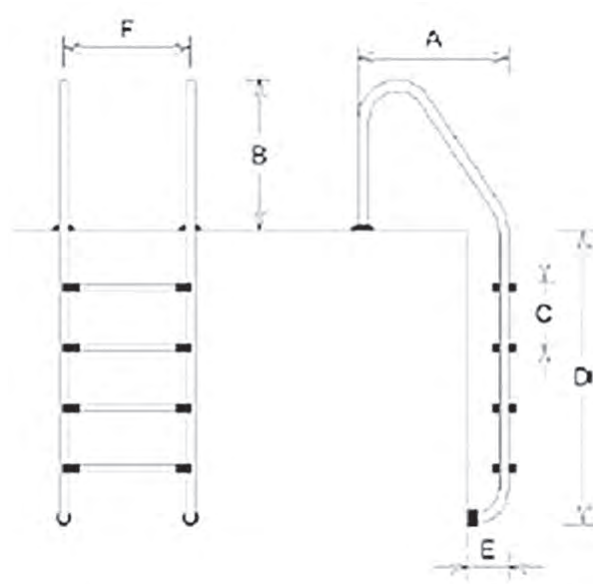
Smart suction system for flush shower

Prod.No.
 78528 bright finish



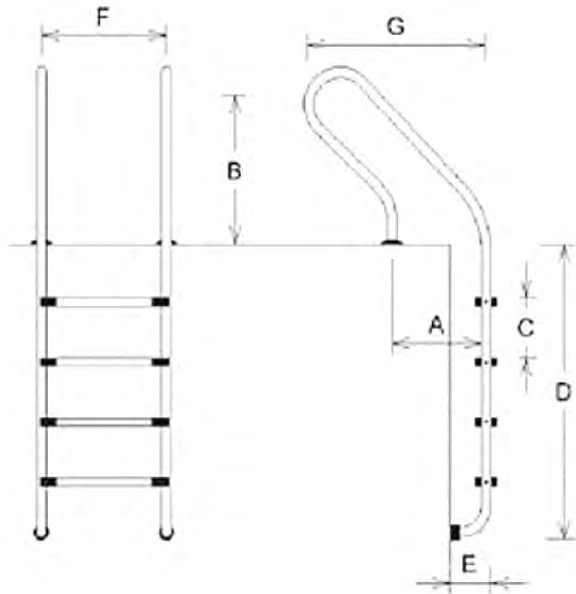
Ocean® stainless steel ladder MURO deluxe

Type	A	B	C	D	E	F	Pool Height
2 steps	350	620	250	710	180	500	100 cm
3 steps	350	620	250	960	180	500	120 cm
4 steps	350	620	250	1210	180	500	150 cm
5 steps	350	620	250	1460	180	500	175 cm



Ocean® stainless steel ladder STANDARD deluxe

Type	A	B	C	D	E	F	Pool Height
2 steps	650	620	250	710	180	500	100 cm
3 steps	650	620	250	960	180	500	120 cm
4 steps	650	620	250	1210	180	500	150 cm
5 steps	650	620	250	1460	180	500	175 cm

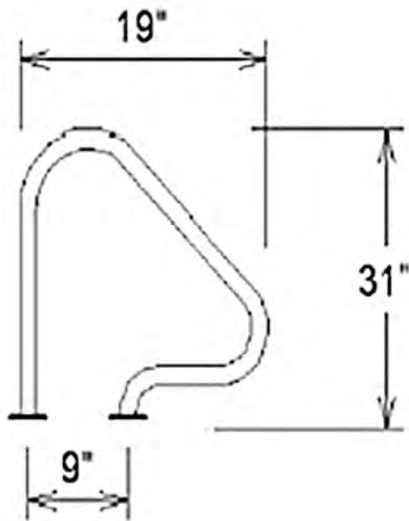
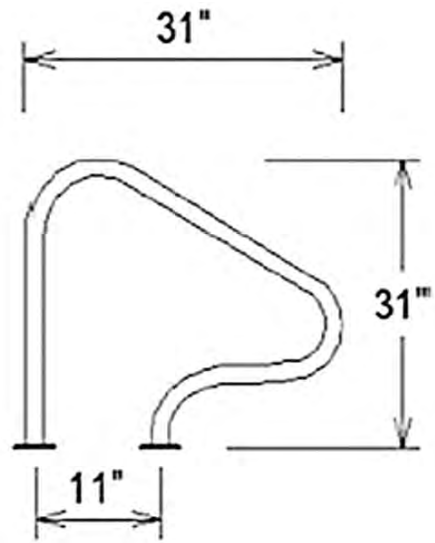


Ocean® stainless steel ladder MIXED deluxe

Type	A	B	C	D	E	F	G	Pool Height
2 steps	350	620	250	710	180	500	522	100 cm
3 steps	350	620	250	960	180	500	522	120 cm
4 steps	350	620	250	1210	180	500	522	150 cm
5 steps	350	620	250	1460	180	500	522	175 cm

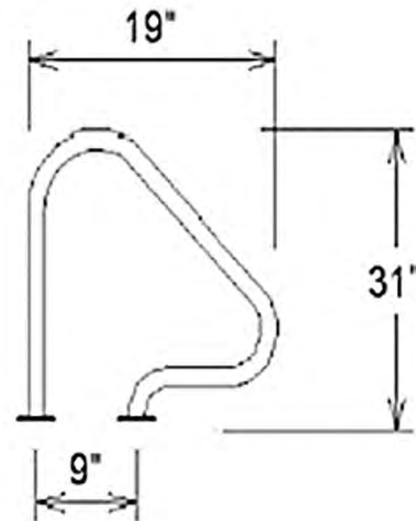
Ocean® hand rail Typ A

Prod.No.
77596



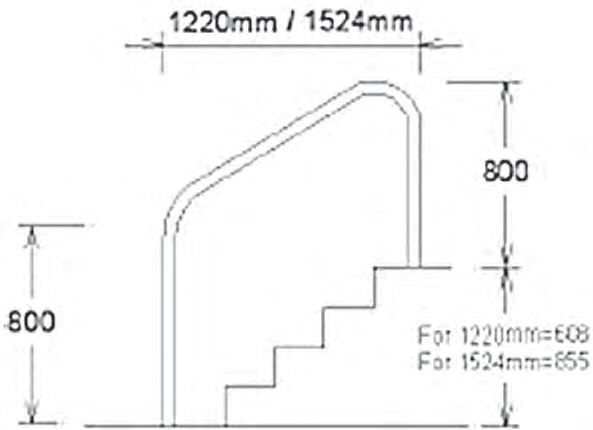
Ocean® hand rail Typ B

Prod.No.
77597



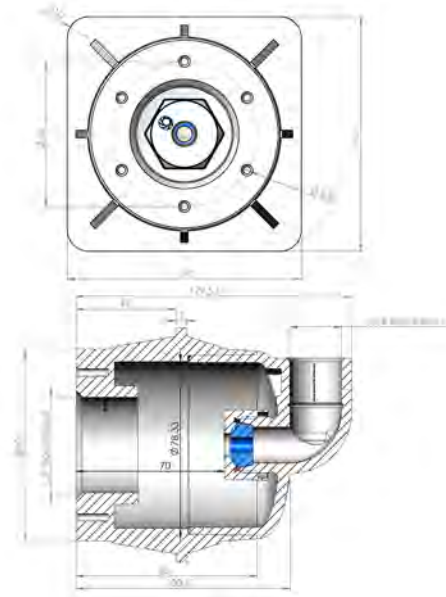
Ocean® hand rail Typ C

Prod.No.
77598



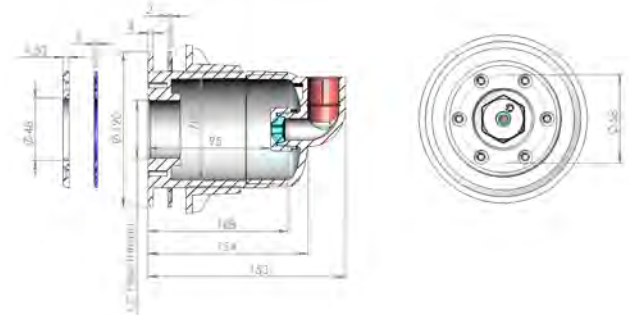
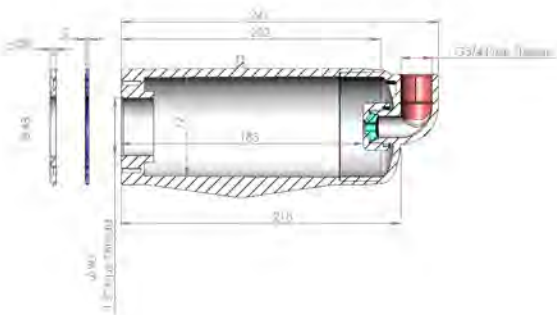
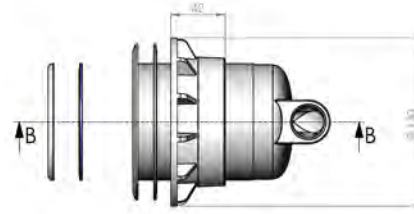
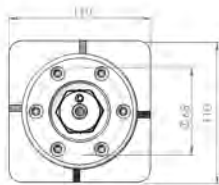
Ocean® hand rail

Prod.No.
 77582 1220 mm
 77583 1524 mm



Adagio Pro wall conduit, short version

Prod.No.
 75230 ABS

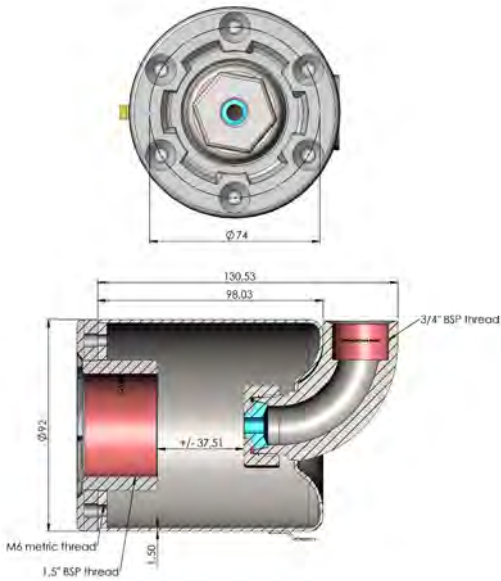


Adagio Pro wall conduit

Prod.No.
 75236 ABS, for liner and Concrete pools, long version

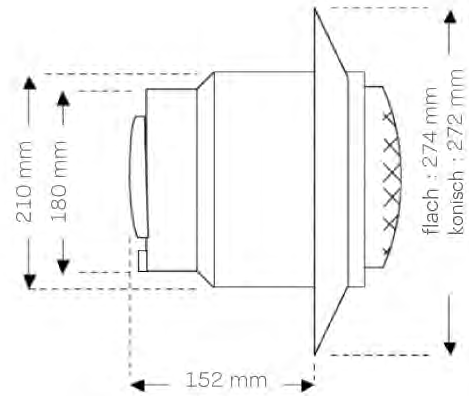
Adagio Pro wall conduit

Prod.No.
 75235 ABS, Poly-. Vinylesterbecken, PP-pools, etc.



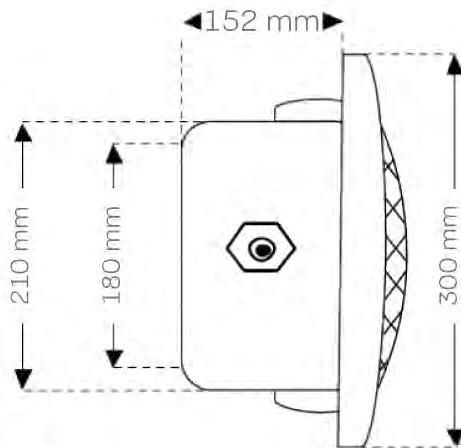
Adagio Pro wall conduit stainless steel

Prod.No.
75237 V4A, for stainless steel pools



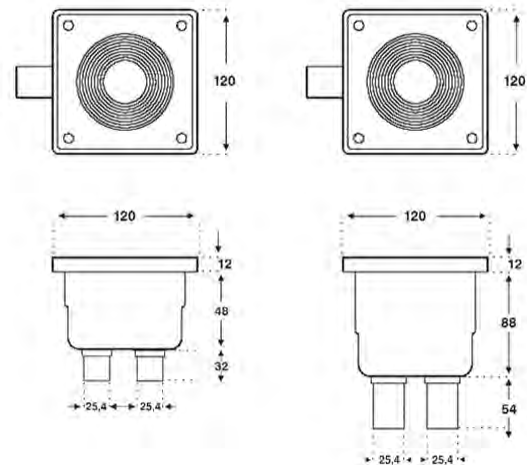
Ocean® under water light M5 deluxe 300W-12V

Prod.No.
74376 white, 2x stainless steel inserts
77018a white, 18x stainless steel inserts & 25 mm screws
77018 white, 18x stainless steel inserts & 35 mm screws
78021 black, 18x stainless steel inserts & 25 mm screws



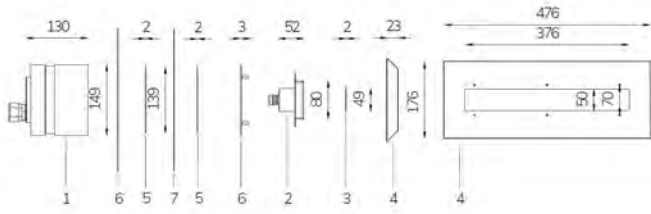
Ocean® under water light M5 deluxe 300W-12V

Prod.No.
74354 stainless steel



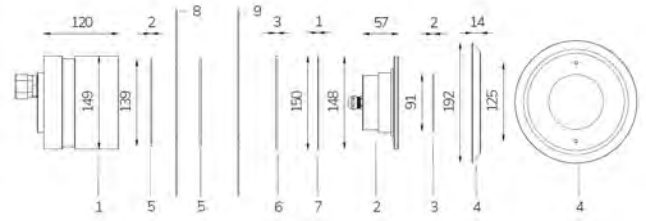
Ocean® electrical junction box

Prod.No.
74360



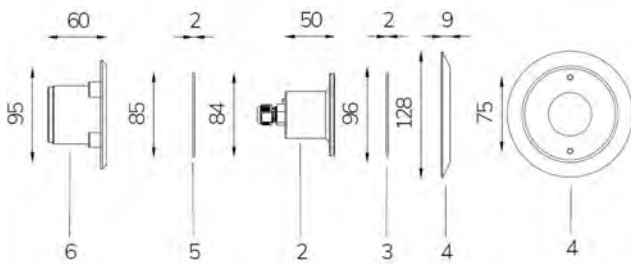
Smart Magic LED under water light

- Prod.No.
 7300814 white, 4060 lumen
 7300817 powerline, 1990 lumen
 7300818 RGB DMX, 1990 lumen



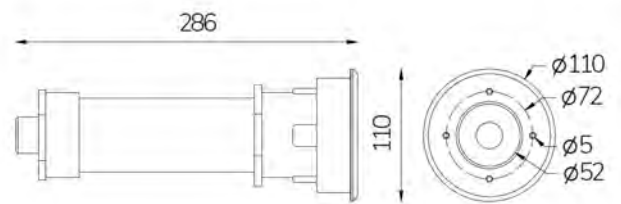
Smart Magic Round 20 LED

- Prod.No.
 7300816 white, 4330 lumen
 7300817 powerline, 2170 lumen
 7300818 RGB DMX, 2170 lumen



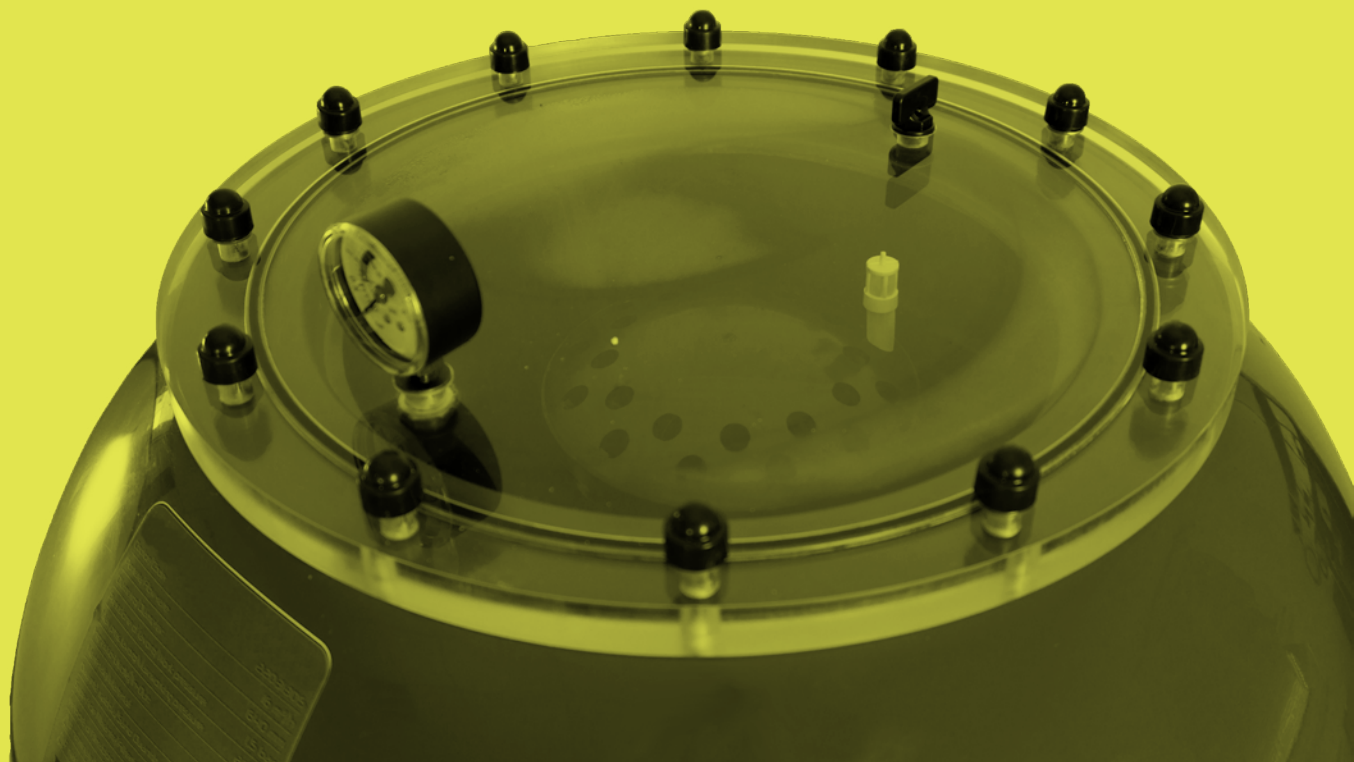
Smart Magic Round 13 LED

- Prod.No.
 Prod.No.
 7300820 white, 790 Lumen
 7300821 powerline, 432 Lumen
 7300822 RGB DMX, 432 Lumen



Wall conduit long for Smart Magic Round 13

- Prod.No.
 7300823 long version



*Polyester filter BREGENZ II in graphit grey
with extra large, transparent lid Ø 400 mm*

FILTER & FILTER MEDIA

- 110** | Polyester filter (private)
- 117** | Polyester filter (commercial)
- 122** | PPGF filter (side mount)
- 125** | PPGF filter (top mount)
- 127** | Filter glass, filter sand, Anthrasit

FILTERED TO THE PUREST

The pool filter in connection with a Praher 7 positions backwash valve and a pump is the essential component to keep the pool water clean and hygienic. Through the pump impeller water will be sucked and passed through the 7-position valve into the filter tank, where it passes through a filter medium to be cleaned (we recommend glass filter medium Nature Works, page 127).

Our filtration units are equipped with the original Praher Plastics® 7-position backwash valves, for even more comfort choose one of our automatic Aquastar® backwash valves (time or/and pressure controlled) or control with the WIFI equipped Pool control Loxone Aquastar® Air. All manual Praher valves can be upgraded or retrofitted to automatic valves easily.

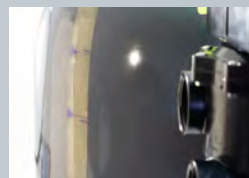


Polyester filter BREGENZ II in graphit grey optionally. WIFI pool control Loxone Aquastar® Air

NEW

POLYESTER FILTER BREGENZ II

New in our assortment is the BREGENZ II filter in graphite grey. Due to the high filtration bed you can reach better filtration results. Besides, the BregenZ II filter has a large transparent Ø400 mm cover, a transparent window for the sand height and a large drain designed for a maintenance-friendly handling.



HOW TO CHOOSE THE RIGHT FILTER

The calculation of the filter size depends on the nominal volume flow (Q). This is calculated by the pool volume (V), incl. expansion tank in filter systems with overflow channels, and the circulation time (t).

The circulation time (the time for a complete water exchange) depends on the load (number of people,...) and location of the pool, in outdoor pools it is about 4 hours.

The filter size is then obtained from the nominal volumetric flow divided by the maximum filtration rate. (50 m/h applies to private pool facilities).

EXAMPLE*

Volume of the pool V: $8 \times 5 \times 1,5 \text{ m} = 60 \text{ m}^3$
 Nominal volume flow Q: $60 \text{ m}^3 / 4 \text{ h} = 12,5 \text{ m}^3/\text{h}$

Filter area A: $12,5 \text{ m}^3/\text{h} / 50 \text{ m/h} = 0,25 \text{ m}^2$

Diameter D:
$$\sqrt{\frac{A [\text{m}^2] \times 4}{\pi}} = \sqrt{\frac{0,25 \text{ m}^2 \times 4}{3,1415}} = 0,56 \text{ m}$$

OUTCOME

We recommend a filter with minimum Ø 600 mm.

**the stated numbers and values are reference numbers*

Selection guide for filter diameter depending on the volume flow (at different filtration speeds v)

Filter size Ø mm	Filter capacity m³/h			
	V=20 m/h	V= 30 m/h	V = 40 m/h	V = 50 m/h
400	2,5	3,8	5,0	6,3
500	3,9	5,9	7,9	9,8
600	5,7	8,5	11,3	14,1
610	5,8	8,8	11,7	14,6
700	7,7	11,5	15,4	19,2
750	8,8	13,3	17,7	22,1
760	9,2	13,8	18,4	23,0
800	10,1	15,1	20,1	25,1
900	12,7	19,1	25,4	31,8
920	13,3	19,9	26,6	33,2
950	14,2	21,3	28,4	35,4
1000	15,7	23,6	31,4	39,3

Source: ÖVS recommendations

NEW



For our filters we recommend the glass filter medium Nature Works which is of purest flat glass. It filters the smallest impurities and therefore cares for highest hygiene.

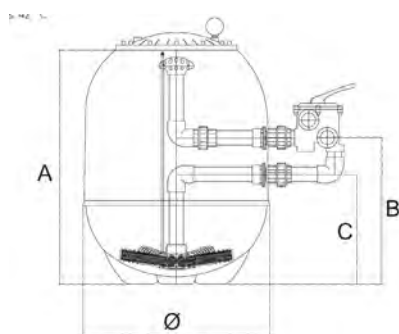
You also need up to 20% less Nature Works filter material compared to conventional filter sand.

Nature Works on page 127





Ø 400 FILTER LID	HIGH FILTRATION BED
1 1/4" DRAIN PLUG	<42 °C OPERATIONTEMP.
2.5 BAR OPERATION PRESSURE	SIGHT WINDOW TRANSPARENT



CREATE YOUR OWN FULLY AUTOMATIC POOL FILTER

Select from the wide range the filter dimension you need + the Aquastar® model. We install the original Praher 7-position backwash valve included in the filter set. Of course all Aquastar® models can be delivered with the matching piping sets for all common filter brands for retro-fit and automation of your manual filter system.



Polyester filter BREGENZ II

in color RAL7024, graphite gray, with transparent flange cover d400, incl. original Praher 1 1/2" or 2" 7-way valve, side mount and piping set, 5 years guarantee for filter tank tightness

CONSTRUCTION

The special construction of the BREGENZ 2 filter series makes inspection and maintenance of the filter much easier. The filter body is made of isophthalic resin, resistant glass fibers and UV-resistant gelcoat. Careful selection of raw materials and consolidated application solutions guarantee maximum mechanical resistance against the constant workloads such as pressure fluctuations, closing / opening of the valve, start / stop of the pump, etc. All components in contact with the bathwater are corrosion resistant, inhibit bacterial growth and affect the water quality not negatively.

PRODUCT DETAILS

- laminated filter made of special fibre glass
- external coat: UV resistant gel coat
- large, transparent lid d400
- higher filter bed for better filtration
- large filter drain 1 1/4"
- nickel brass adapter for manometer
- nut made of nickel brass
- protective tape
- operation pressure max: 2,5 bar
- test pressure max.: 3,75 bar
- max. operation temperature: 42 °C

TECHNICAL DETAILS

Prod.No.	7300243	7300245	7300246	7300247
Ø mm	520	640	760	900
A	730	800	970	970
B	480	530	580	580
C	355	405	440	440
Nature Works kg	100 kg	160 kg	280 kg	340 kg
Flow m³/h	10	16	23	32
Connection	1 1/2"	2"	2"	2"

Product	G-kg	PU	Prod.No.	Price €
Polyester filter BREGENZ II				
Polyester filter BREGENZ II d520 RAL7024 graphite grey, flange cover 400mm, incl. original Praher 1 1/2" 6-way valve, side mount	18.00	1.00	7300243	865.00
Polyester filter BREGENZ II d640 RAL7024 graphite grey, flange cover 400 mm, with original Praher 2" 6-way valve, side mount	22.00	1.00	7300245	990.00
Polyester filter BREGENZ II d760 RAL7024 graphite grey, transparent flange cover 400 mm, incl. original Praher 2" 6-way valve, side mount	30.00	1.00	7300246	1150.00
Polyester filter BREGENZ II d900 RAL7024 graphhite grey, transparent flange cover 400 mm, incl. original 2" 6-way valve, side mount	44.00	1.00	7300247	1360.00
Drainage set Bregenz II incl. drain valve with hose connection	0.00	1.00	7300852	19.65
AQUASTAR COMFORT, prices without filter				
AquaStar Comfort 3001-24 for V6 ND 1 1/2" + 2" 24V AC/DC, digital clock	2.26	1.00	131219	1358.75
AquaStar Comfort 3001-230 for V6 ND 1 1/2" + 2" 100-240 VAC, digital clock	2.36	1.00	131220	1490.28
AquaStar Comfort 3001-24 for V6 ND 1 1/2" + 2" 24V AC/DC, SafetyPack, digital clock	2.68	1.00	131288	1838.97
AquaStar Comfort 3001-230 for V6 ND 1 1/2" + 2" 100-240 VAC, SafetyPack, digital clock	2.78	1.00	131289	1852.92
AquaStar Comfort 4001-24 for V6 ND 1 1/2" + 2" 24V AC/DC, time and pressure switch	2.24	1.00	131244	1340.14
AquaStar Comfort 4001-230 for V6 ND 1 1/2" + 2" 100-240 VAC, time and pressure switch	2.34	1.00	131245	1476.65
AquaStar Comfort 4001-24 for V6 ND 1 1/2" + 2" 24V AC/DC, SafetyPack, time and pressure switch	2.66	1.00	131292	1824.09
AquaStar Comfort 4001-230 for V6 ND 1 1/2" + 2" 100-240 VAC, SafetyPack, time and pressure switch	2.75	1.00	131293	1836.08
AquaStar Comfort 6501-24 for V6 ND 1 1/2" + 2" 24V AC/DC, digital time-pump clock + pressure switch	2.28	1.00	131270	1568.46
AquaStar Comfort 6501-230 for V6 ND 1 1/2" + 2" 100-240 VAC, digital time-pump clock + pressure switch	2.38	1.00	131271	1701.24
AquaStar Comfort 6501-24 for V6 ND 1 1/2" + 2" 24V AC/DC, SafetyPack, digital time-pump clock + pressure switch	2.70	1.00	131298	2043.71
AquaStar Comfort 6501-230 for V6 ND 1 1/2" + 2" 100-240 VAC, SafetyPack, digital time-pump clock + pressure switch	2.79	1.00	131299	2122.28



Compact filter unit BREGENZ II

with original Praher 7-way valve, grey, incl. glued piping set + 3 OCEAN unions, transparent filter lid d400, with high standard filter pump Europro, installed on PE filter palette.

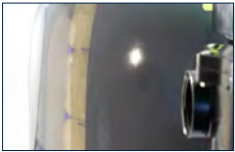
Product	G-kg	PU	Prod.No.	Price €
Compact filter unit BREGENZ II d520, graphite grey RAL7024, d400 filter lid transparent. Praher 1 1/2" 6 way backwash valve set, Europro filter pump 50M 11m3/h, 230V	55.00	1.00	7300803	1470.00
Compact filter unit BREGENZ II d640, graphite grey RAL7024, d400 filter lid transparent. Praher 2" 6 way backwash valve set, Europro filter pump 75M 14m3/h, 230V	65.00	1.00	7300804	1625.00

+ EUROPRO FILTER PUMP

Symbol image without piping,
delivery with piping already fixed.



Large, transparent lid with 400 mm diameter;
black lid made of PPGF on request



Transparent sight window to control the sand
height.



Large drain plug 1 1/4" AG for quick and easy
emptying



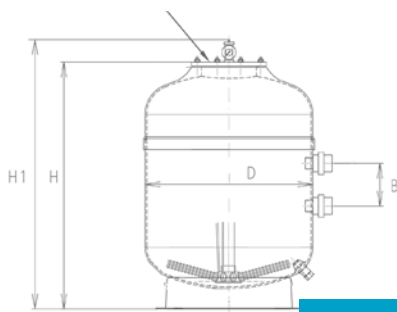
Drainage kit incl. drain valve with hose connec-
tion (parts delivered loose, not included in filter
package)



Optionally, exakt venting with Praher
S4 laboratory ball valve (chapter PVC
Valves, Prod.No. 122353A)



Ø200 FILTER LID	3/4" ABLASSVENTIL
2.5 BAR OPERATION PRESSURE	MODEL Ø610 - 2"



RAL 5015 2"

RAL 6018 2"



Valves are not included in the delivery of filter INNSBRUCK and have to be ordered separately.
You will find piped valves in the price table; matching Praher 7-Position backwash valves, piping parts and automatic Aquastar electric actuators see chapter Backwash Valves.

Polyester filter INNSBRUCK

RAL 5015 blue, transparent filter lid, man hole 20 cm. Manometer, manual aerating, neutral single packing, drain valve, 2 x IBG unions with solvent socket, +40°C resistance, 2 years guarantee for filter tank tightness, without valve

TECHNICAL DETAILS

Ø Filter D mm	Ø 510	Ø 610	Ø 610 (*)	Ø 780	Ø 915
H mm	820	870	870	915	980
H1 mm	900	950	950	995	1060
B mm	155	155	155	165	165
Connection	d50	d50	d63	d63	d63
Filtration Area m ²	0,2	0,28	0,28	0,5	0,63
Flow m ³ /h at 50 m ² /h/m ²	9	14	14	25	30
Sand kg	95	120	120	200	400
0,4 - 0,8 mm	75 kg	65 kg	65 kg	110 kg	270 kg
3,0 - 5,0 mm	25 kg	55 kg	55 kg	90 kg	130 kg
Gross Weight kg	23	26	28	38	49

(*) improved Flow and Pressure Loss Values using a 2" valve, see diagrams in chapter Manual Backwash Valves

Product	G-kg	PU	Prod.No.	Price €
Polyester filter INNSBRUCK				
Polyester filter INNSBRUCK d510 transparent cover, inner filter ventilation, blue RAL 5015, connection 2x 1 1/2"/d50, without backwash valve	23.00	1.00	7300209	980.00
Polyester filter INNSBRUCK d610 transparent cover, inner filter ventilation, blue RAL 5015, connection 2x 1 1/2"/d50, without backwash valve	26.00	1.00	7300210	1030.00
Polyester filter INNSBRUCK d610 transparent cover, inner filter ventilation, blue RAL 5015, connection 2x 2"/d63, without backwash valve	26.00	0.00	7300211	1075.00
Polyester filter INNSBRUCK d610 transparent cover, inner filter ventilation, green RAL 6018, connection 2x 2"/d63, without backwash valve, black filter base	28.00	1.00	7300416	1300.00
Polyester filter INNSBRUCK d780 transparent cover, inner filter ventilation, blue RAL 5015, connection 2x 2"/d63, without backwash valve	42.75	1.00	7300212	1570.00
Polyester filter INNSBRUCK d915 transparent cover, inner filter ventilation, blue RAL 5015, connection 2x 2"/d63, without backwash valve	53.00	1.00	7300213	2040.00
Backwash valve, with piping set				
Back wash valve V6 ND SM10 3 1 1/2" ABS white BSP thread, Top+Bottom slip d50 metric MOP 3,5 bar NBR tpe incl. pipe-system single packed, pipe elbow distance 155 mm, Praher-label INNSBRUCK glued	1.88	1.00	7300277	105.00
Back wash valve V6 ND SM20 3 2" ABS white BSP thread, Top+Bottom slip d63 metric MOP 3,5 bar NBR tpe incl. pipe-system single packed, pipe elbow distance 165 mm, Praher-label INNSBRUCK glued	2.73	1.00	7300600	156.00
Drain valve				
Drain valves for Cone Check Valve Hose nozzle/male thread 3/4"	0.06	500.00	70207	8.75



+ SERIES M
FILTER PUMP

Polyester filter INNSBRUCK / compact filter set (plug-in)

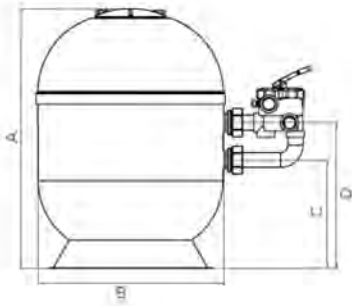
RAL 5015 blue, with original Praher 7-way backwash valve, blue, incl. piping set, +3 pcs Ocean® unions d50/1 1/2" male thread, transparent filter lid, man hole 20 cm. Manometer, manual aerating, incl. Smart filter pump series M, installed on PE filter palettes, neutral single packing

Product	G-kg	PU	Prod.No.	Price €
Compact filter unit INNSBRUCK d510, side mount with original Praher 1 1/2" 6-way valve, manual, filter palette, pump P1 0,88 kW, P2 0,55 kW, with pre-filter	51.20	1.00	73687	1690.00
Compact filter unit INNSBRUCK d610, side mount with original Praher 1 1/2" 6-way valve, manual, filter palette, pump P1 1,06 kW, P2 0,75 kW, with pre-filter	60.00	1.00	73688	1790.00

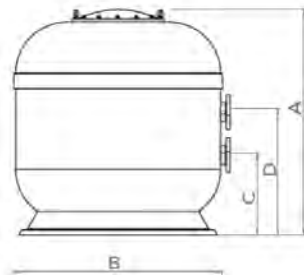


2,5 BAR
OPERATION PRESSURE

< 50 °C
OPERATION TEMP.



Dimensions d400-d900



Dimensions d950 - d1400

Also available without Praher valve and piping set on request, personalized colours and label from 100 pcs. against surcharge.



Transparent lid



Drainage kit incl. drain valve with hose connection (parts delivered loose, not included in filter package)



Also available with black flange filter lid

Polyester filter VIENNA II laminated

RAL 5015 blue, with transparent lid screw type or optional black flange lid, incl. manometer, piping set and original Praher SM 1 1/2" or 2" 7-way valve manual, 5 years guarantee for filter tank tightness

PRODUCT DETAILS

- filter for private pools
- manufactured according to industrial standards
- reinforced fibre glass filter body
- UV resistant
- transparent lid, easy to open, d 21 cm
- swivel filter arm for easy filling with filter media
- drain set for easy emptying of water
- integrated aerating to avoid air bubbles in the filter
- at max. operation temperature of 50 °C, MOP 1 bar

TECHNICAL DETAILS D400 - D900

Ø Filter B mm	Ø 400	Ø 510	Ø 620	Ø 680	Ø 750	Ø 900
A mm	565	790	860	915	1020	1020
C mm	250	350	400	420	455	455
D mm	375	475	525	545	595	595
Connection	1,5"	1,5"	1,5"	2"	2"	2"
Filtration Area m ²	0,13	0,20	0,30	0,36	0,44	0,64
Flow m ³ /h at 50 m ³ /h/m ²	6,5	10,2	15,1	18,14	22	31,8
Nature Works kg	40	80	120	140	180	260
Gross Weight kg	12	18	23,5	27	33	42

TECHNICAL DETAILS LARGE FILTER D950 - D1400

Ø Filter B mm	Ø 950	Ø 1100	Ø 1200	Ø 1400
A mm	675	805	955	1300
C mm	490	400	455	455
D mm	740	525	595	595
Flange Connection	75	90	90	110
Filtration Area m ²	0,7	0,96	1,13	1,54
Flow m ³ /h at 50 m ³ /h/m ²	35	47,5	56	77
Nature Works kg	780	1060	1260	1400
Gross Weight kg	62	81	93	120

Product	G-kg	PU	Prod.No.	Price €
Polyester filter VIENNA II with transparent lid, screw type				
Polyester filter VIENNA II laminated, side mount, blue, d400, cover screw type transparent, incl. manometer, piping kit and original Praher SM 1 1/2" 7 manual way backwash valve	12.00	8.00	7300491	410.00
Polyester filter VIENNA II laminated, side mount, blue, d510, cover screw type transparent, incl. manometer, piping kit and original Praher SM 1 1/2" 7 manual way backwash valve	18.00	8.00	7300492	420.00
Polyester filter VIENNA II laminated, side mount, blue, d620, cover screw type transparent, incl. manometer, piping kit and original Praher SM 1 1/2" 7 manual way backwash valve	23.50	8.00	7300493	520.00
Polyester filter VIENNA II laminated, side mount, blue, d680, cover screw type transparent, incl. manometer, piping kit and original Praher SM 2" 7 manual way backwash valve	27.00	2.00	7300494	650.00
Polyester filter VIENNA II laminated, side mount, blue, d750, cover screw type transparent, incl. manometer, piping kit and original Praher SM 2" 7 manual way backwash valve	33.00	2.00	7300495	680.00
Polyester filter VIENNA II laminated, side mount, blue, d900, cover screw type transparent, incl. manometer, piping kit and original Praher SM 2" 7 manual way backwash valve	42.00	2.00	7300496	970.00
Drainage Set Vienna II incl. drain valve with hose connection	0.00	1.00	7300853	14.50
Polyester filter VIENNA II black lid, flange type				
Polyester filter VIENNA II laminated, side mount, blue d 400, cover flange type black, incl. manometer, piping kit and original Praher SM 1 1/2" 7 way backwash valve manual	12.00	8.00	7300500	515.00
Polyester filter VIENNA II laminated, side mount, blue d 510, cover flange type black, incl. manometer, piping kit and original Praher SM 1 1/2" 7 way backwash valve manual	18.00	8.00	7300501	535.00
Polyester filter VIENNA II laminated, side mount, blue d 620, cover flange type black, incl. manometer, piping kit and original Praher SM 1 1/2" 7 way backwash valve manual	23.50	8.00	7300502	590.00



CREATE YOUR OWN FULLY AUTOMATIC POOL FILTER

Select from the wide range the filter dimension you need + the Aquastar® model. We install the original Praher 7-position backwash valve included in the filter set. Of course all Aquastar® models can be delivered with the matching piping sets for all common filter brands for retro-fit and automation of your manual filter system.



3" valve and Aquastar® for large filters see in chapter backwash valves

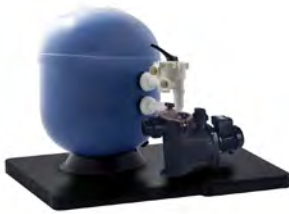


Optionally, exact venting with Praher S4 laboratory ball valve (chapter PVC Valves, Prod.No. 122353A) for filter series VIENNA II d400-d900 only

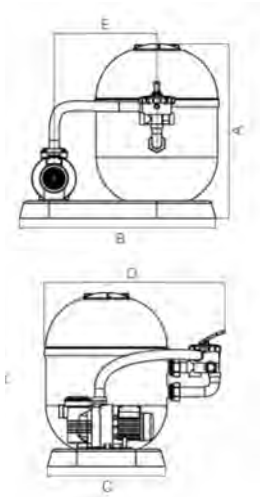


K4 butterfly valves PVC, hand, pneumatic or electric actuator, see in chapter PVC products

Product	G-kg	PU	Prod.No.	Price €
Polyester filter VIENNA II laminated, side mount, blue d 750, cover flange type black, incl. manometer, piping kit and original Praher SM 2" 7 way backwash valve manual	27.00	2.00	7300503	790.00
Polyester filter VIENNA II laminated, side mount, blue d 750, cover flange type black, incl. manometer, piping kit and original Praher SM 2" 7 way backwash valve manual	33.00	2.00	7300504	840.00
Polyester filter VIENNA II laminated, side mount, blue d900, cover flange type black, incl. manometer, piping kit and original Praher SM 2" 7 way backwash valve manual	42.00	2.00	7300505	1060.00
Drainage set Vienna II incl. drain valve with hose connection	0.00	1.00	7300853	14.50
Polyester filter VIENNA II large d950 - d1400				
Polyester filter VIENNA II laminated, side mount, blue, d950, GFK cover 400 mm black incl. 1" purge plug, drain set d75 mm incl. 1" plug, filtration bed height 800 mm, PVCflange connection d75 mm	63.00	1.00	7300542	1990.00
Polyester filter VIENNA II laminated, side mount, blue, d1100, GFK cover 400 mm black incl. 1" purge plug, drain set d75 mm incl. 1" plug, filtration bed height 800 mm, PVCflange connection d90 mm	82.00	1.00	7300543	2400.00
Polyester filter VIENNA II laminated, side mount, blue, d1200, GFK cover 400 mm black incl. 1" purge plug, drain set d75 mm incl. 1" plug, filtration bed height 800 mm, PVCflange connection d90 mm	94.00	1.00	7300544	2600.00
Polyester filter VIENNA II laminated, side mount, blue, d1400, GFK cover 400 mm black incl. 1" purge plug, drain set d75 mm incl. 1" plug, filtration bed height 800 mm, PVCflange connection d110 mm	121.00	1.00	7300545	2990.00
AQUASTAR COMFORT				
AquaStar Comfort 3001-24 for V6 ND 1 1/2" + 2" 24V AC/DC, digital clock	2.26	1.00	131219	1358.75
AquaStar Comfort 3001-230 for V6 ND 1 1/2" + 2" 100-240 VAC, digital clock	2.36	1.00	131220	1490.28
AquaStar Comfort 3001-24 for V6 ND 1 1/2" + 2" 24V AC/DC SafetyPack, digital clock	2.68	1.00	131288	1838.97
AquaStar Comfort 3001-230 for V6 ND 1 1/2" + 2" 100-240 VAC SafetyPack, digital clock	2.78	1.00	131289	1852.92
AquaStar Comfort 4001-24 for V6 ND 1 1/2" + 2" 24V AC/DC, time and pressure switch	2.24	1.00	131244	1340.14
AquaStar Comfort 4001-230 for V6 ND 1 1/2" + 2" 100-240 VAC, time and pressure switch	2.34	1.00	131245	1476.65
AquaStar Comfort 4001-24 for V6 ND 1 1/2" + 2" 24V AC/DC SafetyPack, time and pressure switch	2.66	1.00	131292	1824.09
AquaStar Comfort 4001-230 for V6 ND 1 1/2" + 2" 100-240 VAC SafetyPack, time and pressure switch	2.75	1.00	131293	1836.08
AquaStar Comfort 6501-24 for V6 ND 1 1/2" + 2" 24V AC/DC, digital time-pump clock + pressure switch	2.28	1.00	131270	1568.46
AquaStar Comfort 6501-230 for V6 ND 1 1/2" + 2" 100-240 VAC, digital time-pump clock + pressure switch	2.38	1.00	131271	1701.24
AquaStar Comfort 6501-24 for V6 ND 1 1/2" + 2" 24V AC/DC SafetyPack, digital time-pump clock + pressure switch	2.70	1.00	131298	2043.71
AquaStar Comfort 6501-230 for V6 ND 1 1/2" + 2" 100-240 VAC SafetyPack, digital time-pump clock + pressure switch	2.79	1.00	131299	2122.28



**+ SERIES M
FILTER PUMP**



Symbol image, delivery with PVC piping

Polyester filter VIENNA II / compact filter set

RAL 5015 blue, with original Praher 7 way valve, blue, incl. glued piping set + 3 pcs Ocean® unions d50/1 1/2"AG, transparent filter lid screw type. Manometer, manual aerating, with Smart filter pump series M, installed on PE filter palette, neutral single packing, 5 years guarantee for filter tank tightness

TECHNICAL DETAILS

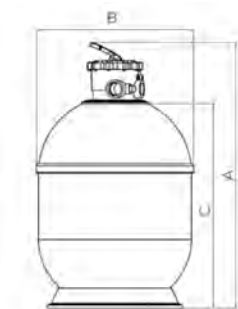
	Ø 400	Ø 510	Ø 620
Ø Filter	Ø 400	Ø 510	Ø 620
A mm	592	817	887
B mm	1000	1000	1000
C mm	600	600	600
D mm	475	783	893
E mm	506	506	506
Connection	1,5"	1,5"	1,5"
Filtration Area m²	0,13	0,20	0,30
Flow m³/h at 50 m³/h/m²	7,5	8,5	15,1
Nature Works kg	40	80	120
Gross Weight kg	19	26	29

Product	G-kg	PU	Prod.No.	Price €
Compact filter set VIENNA II laminated,side mount, blue d400, cover screw type transparent, fixed piping, incl. original Praher 7 way backwash valve SM 1 1/2", manual, incl. Smart pump M33 type 0,25 kW 8m3/h	45.00	1.00	7300497	1150.00
Compact filter set VIENNA II laminated,side mount, blue d510, cover screw type transparent, fixed piping, incl. original Praher 7 way backwash valve SM 1 1/2", manual, incl. Smart pump M50 type 0,37 kW, 10m3/h	50.00	1.00	7300498	1290.00
Compact filter set VIENNA II laminated,side mount, blue d620, cover screw type transparent, fixed piping, incl. original Praher 7 way backwash valve SM 1 1/2", manual, incl. Smart pump M75 type 0,55 kW, 12m3/h	55.00	1.00	7300499	1350.00



2,5 BAR
OPERATION PRESSURE

< 50 °C
OPERATION TEMP.



Polyester Filter VIENNA II laminiert top mount

RAL5015 blue, incl. manometer, piping set and original Praher SM 1 1/2" bzw. 2" 7-way valve manual, 5 years guarantee for filter tank tightness

PRODUCT DETAILS- filter for private pools

- manufactured according industrial standards
- reinforced fibre glass filter body, UV resistant
- incl. pressure indication and 1 1/2" 7 way top mount valve
- drain set for easy emptying of water
- integrated aerating to avoid air bubbles in the filter
- filter opening 17 cm

TECHNICAL DETAILS

	Ø 400	Ø 510	Ø 620
Ø Filter	Ø 400	Ø 510	Ø 620
A mm	795	1020	1090
B mm	400	510	620
C mm	535	760	830
Connection	1,5"	1,5"	1,5"
Filtration Area m²	0,13	0,20	0,30
Flow m³/h at 50 m³/h/m²	6,5	10,2	15,1
Nature Works kg	40	80	120
Gross Weight kg	12	18	23,5

Product	G-kg	PU	Prod.No.	Price €
Polyester filter VIENNA II, laminated, top mount, blue, d400, incl. manometer, clamping ring and original Praher TM 1 1/2" 7 way backwash valve manual	12.00	8.00	7300506	390.00
Polyester filter VIENNA II, laminated, top mount, blue, d510, incl. manometer, clamping ring and original Praher TM 1 1/2" 7 way backwash valve manual	18.00	8.00	7300507	399.00
Polyester filter VIENNA II, laminated, top mount, blue, d620, incl. manometer, clamping ring and original Praher TM 1 1/2" 7 way backwash valve manual	24.00	8.00	7300508	450.00

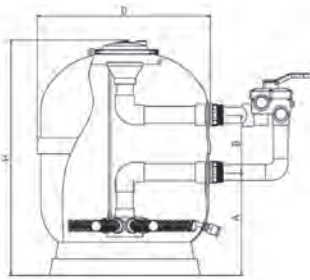


17,5 CM
MAN HOLE

2 BAR
OPERATION PRESSURE

MODEL
D600 2"

LID
TRANSPARENT



600 2"

Polyester Filter VIENNA laminiert side mount

with original Praher 7-way backwash valve (manual), incl. glued piping set, transparent filter lid, man hole 17.5 cm. Manometer, manual aerating, neutral singlepacking, drain valve, 2 years guarantee for filter

TECHNISCHE DATEILS

	77364	77365	7300165	77366	77367
Ø Filter D mm	500	600	600	750	900
H mm	805	850	850	985	1050
A mm	290	330	330	325	400
B mm	125	125	125	230	230
Connection	1.5"	1.5"	2" (*)	2"	2"
Filtration Area m ²	0,19	0,3	0,3	0,44	0,64
Filtration velocity in m ³ /h/ m ²	50	50	50	50	50
Flow rate m ³ /h	10	14	14	22	32
Sand kg	75	125	125	250	275
Granulat Größe					
0,4 - 0,8 mm	25 kg	25 kg	25 kg	50 kg	25 kg
0,7 - 1,25 mm	50 kg	75 kg	75 kg	100 kg	125 kg
1,0 - 2,0 mm		25 kg	25 kg	75 kg	75 kg
2,0 - 4,0 mm				25 kg	75 kg
Poolvolume up to m ³	72	112	112	168	240
Max. operation pressure	2 bar	2 bar	2 bar	2 bar	2 bar
Gross weight kg	20	25	25	33	51
Packing volume m ³	0,27	0,36	0,36	0,60	1,01

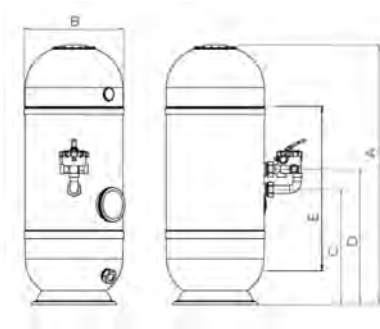
(*) improved Flow and Pressure Loss Values using a 2" valve, see diagrams in chapter Manual Backwash Valves

Product	G-kg	PU	Prod.No.	Price €
Polyester filter VIENNA laminated side mount_				
Filter VIENNA side mount black 500 - 20" with manometer incl. pipe-system neutral and single packing with original Praher 1 1/2" 6 way manual valve	18.00	1.00	77364	590.00
Filter VIENNA laminated side mount black 600 - 24" with manometer incl. pipe-system neutral and single packing with original Praher 1 1/2" 6 way manual valve	22.70	1.00	77365	650.00
Filter VIENNA laminated side mount black 600 - 24" with manometer incl. pipe-system neutral and single packing, with original Praher 2" 6 way manual valve	23.00	1.00	7300165	670.00
Filter VIENNA side mount black 750 - 30" with manometer incl. pipe-system neutral and single packing with original Praher 2" 6 way manual valve	35.60	1.00	77366	930.00
Filter VIENNA side mount black 900 - 36" with manometer incl. pipe-system neutral and single packing with original Praher 2" 6 way manual valve	48.10	1.00	77367	1160.00

Polyester filter (commercial)



Ø 220 MM HOLE TOP	Ø 220 MM SIDE HOLE.
<40 °C OPERATION TEMP..	2,5 BAR OPERATION PRESSURE



Polyester Hochschicht Filter LEOBEN II

Polyester high layer filter, side mount with black lid flange type, 1m or 1,2 m sand bed, filter star or nozzle plate, d620, d750, d900, incl. original Praher 7-way Backwash Valve and piping set, 5 years guarantee for filter tank tightness

PRODUCT DETAILS

- for private and hotel pools
- manufactured according industrial standards
- reinforced fibre glass filter body
- UV resistant, with lateral hole and sight glass
- 2" connection
- filter diameter d620, d750, d900
- pressure indication and 2" 7 way valve
- PPGF lid, easy to open
- swivel filter arm for easy filling of the filter
- drain set for easy emptying of water
- integrated aerating to avoid air bubbles in the filter

TECHNICAL DETAILS

Ø Filter	Ø 620	Ø 620	Ø 620	Ø 750	Ø 750	Ø 750	Ø 900	Ø 900	Ø 900
A mm	1645	1845	1845	1645	1845	1845	1645	1845	1845
B mm	620	620	620	750	750	750	900	900	900
C mm	728	728	728	728	728	728	728	728	728
D mm	868	868	868	868	868	868	868	868	868
E mm	1000	1200	1200	1000	1200	1200	1000	1200	1200
Filtration bed	star	star	nozzles	star	star	nozzles	star	star	nozzles
Filtration bed height	1,0	1,2	1,2	1,0	1,2	1,2	1,0	1,2	1,2
Filtration surface m ²	0,3	0,3	0,3	0,44	0,44	0,44	0,64	0,64	0,64
Flow m ³ /h at 20 m ² /h	5,7	5,7	5,7	8,3	8,3	8,3	11,9	11,9	11,9
Flow m ³ /h at 30 m ² /h	9,4	9,4	9,4	13,8	13,8	13,8	19,9	19,9	19,9
Flow m ³ /h at 40 m ²	12	12,3	12,3	18	17,9	17,9	26	25,8	25,8
Nature Works kg	340	420	400	460	580	580	660	820	776

Product	G-kg	PU	Prod.No.	Price €
Filter star, sand bed 1,0m				
Polyester high layer filter LEOBEN II, laminated, blue, d620, sand bed 1m, star diffusor, cover flange type black, incl. manometer, piping kit and original Praher SM2" 7 way backwash valve, manual	75.00	1.00	7300509	1400.00
Polyester high layer filter LEOBEN II, laminated, blue, d750, sand bed 1m, star diffusor, cover flange type black, incl. manometer, piping kit and original Praher SM2" 7 way backwash valve, manual	75.00	1.00	7300510	1630.00
Polyester high layer filter LEOBEN II, laminated, blue, d900, sand bed 1m, star diffusor, cover flange type black, incl. manometer, piping kit and original Praher SM2" 7 way backwash valve, manual	100.00	1.00	7300511	1980.00
Filter star, sand bed 1,2 m				
Polyester high layer filter LEOBEN II, laminated, blue, d620, sand bed 1,2m, star diffusor, cover flange type black, incl. manometer, piping kit and original Praher SM2" 7 way backwash valve, manual	75.00	1.00	7300512	1850.00
Polyester high layer filter LEOBEN II, laminated, blue, d750, sand bed 1,2m, star diffusor, cover flange type black, incl. manometer, piping kit and original Praher SM2" 7 way backwash valve, manual	75.00	1.00	7300513	2230.00
Polyester high layer filter LEOBEN II, laminated, blue, d900, sand bed 1,2m, star diffusor, cover flange type black, incl. manometer, piping kit and original Praher SM2" 7 way backwash valve, manual	100.00	1.00	7300514	2710.00
Nozzle plate, sand bed 1,2m				
Polyester high layer filter LEOBEN II, laminated, blue, d620, sand bed 1,2m, nozzle plate, cover flange type black, incl. manometer, piping kit and original Praher SM2" 7 way backwash valve, manual	75.00	1.00	7300515	3182.03
Polyester high layer filter LEOBEN II, laminated, blue, d750, sand bed 1,2m, nozzle plate, cover flange type black, incl. manometer, piping kit and original Praher SM2" 7 way backwash valve, manual	75.00	1.00	7300516	3539.42
Polyester high layer filter LEOBEN II, laminated, blue, d900, sand bed 1,2m, nozzle plate, cover flange type black, incl. manometer, piping kit and original Praher SM2" 7 way backwash valve, manual	100.00	1.00	7300517	4263.60



Düsenboden nach DIN 19643/ÖNORM 6216



1 / 1,2 M
SAND BED

RAL
5015

3"
SIGHT GLASS

NOZZLES
PLATE

Detailed dimensions on request



Nozzles plate according DIN 19643/ÖNORM 6216



SUITABLE ACCESSORIES

Find suitable accessories like manual and automatic Praher 7-position valves and piping parts in chapter Backwash valves.

Polyester high layer filter KLAGENFURT

blue filter lid 20 cm, 2,5 bar +40° C, manometer, filter star, 3" sight glas, lateral man hole blue, neutral single packing, 2 year guarantee on filter tank, optional with 1.0 or 1.2 m sand bed, optional with transparent covers against surcharge

TECHNICAL DETAILS

	Ø 510	Ø 610	Ø 780	Ø 1015	Ø 1235
Ø Filter D mm	510	610	780	1015	1235
H mm (SB 1000)	1750	1750	1850	1880	1950
H mm (SB 1200)	1960	1950	2050	2120	2150
A1 men hole DN	200	200	300	200	300
A2 men hole DN	300	300	300	400	400
B1 aerating	½"	½"	½"	¾"	DN40
B2 drainage	½"	½"	½"	¾"	½"
Filtartion Area m²	0,2	0,28	0,5	0,78	1,13
Flow rate m³/h at 50 m³/h/m²	9	14	25	40	57
Flow rate m³/h at 30 m³/m²	6	9	15	24	33
Sand kg 1 m SB	295 kg	430 kg	750 kg	1176 kg	1697 kg
Granular Size 1m SB					
0,4 - 0,8 mm	235 kg	340 kg	600 kg	940 kg	1357 kg
1,0 - 2,0 mm	30 kg	45 kg	75 kg	118 kg	170 kg
3,15 - 5,6 mm	30 kg	45 kg	75 kg	118 kg	170 kg
Sand kg 1,2 m SB	355 kg	509 kg	900 kg	1411 kg	2040 kg
Granular Size 1,2 m SB					
0,4 - 0,8 mm	295 kg	425 kg	750 kg	1175 kg	1700 kg
1,0 - 2,0 mm	30 kg	42 kg	75 kg	118 kg	170 kg
3,15 - 5,6 mm	30 kg	42 kg	75 kg	118 kg	170 kg
Max. operation pressure kg/cm²	2,5	2,5	2,5	2,5	2,5
Net weight kg	50	70	110	150	200
Gross weight kg	470	630	1070	1900	2150
Packing volume m³	0,42	0,61	1,13	1,92	2,75

Product	G-kg	PU	Prod.No.	Price €
Polyester high layer filter KLAGENFURT nozzle plate, sand bed 1,0 m				
Polyester high layer filter KLAGENFURT d510/H1750, blue RAL5015, blue top and side cover, sight glass, 1 m sand bed, with nozzle plate, connection solvent d50	50.00	1.00	7300224	3263.66
Polyester high layer filter KLAGENFURT d610/H1750, blue RAL5015, blue top and side cover, sight glass, 1 m sand bed, with nozzle plate, connection solvent d63	70.00	1.00	7300225	4781.92
Polyester high layer filter KLAGENFURT d780/H1850, blue RAL5015, blue top and side cover, sight glass, 1 m sand bed, with nozzle plate, connection solvent d75	110.00	1.00	7300226	6194.76
Polyester high layer filter KLAGENFURT d1015/H1880, blue RAL5015, blue top and side cover, sight glass, 1 m sand bed, with nozzle plate, connection solvent d90	150.00	1.00	7300227	9346.48
Polyester high layer filter KLAGENFURT d1235/H1950, blue RAL5015, blue top and sight cover, sight glass, 1 m sand bed, with nozzle plate, connection solvent d90	200.00	1.00	7300228	11563.55
Polyester high layer filter KLAGENFURT nozzle plate, sand bed 1,2 m				
Polyester high layer filter KLAGENFURT d510/H1750, blue RAL5015, blue top and side cover, sight glass, 1,2 m sand bed, with nozzle plate, connection solvent d50	50.00	1.00	7300229	3771.20
Polyester high layer filter KLAGENFURT d610/H1750, blue RAL5015, blue top and side cover, sight glass, 1,2 m sand bed, with nozzle plate, connection solvent d63	70.00	1.00	7300230	5184.04
Polyester high layer filter KLAGENFURT d780/H1850, blue RAL5015, blue top and side cover, sight glass, 1,2 m sand bed, with nozzle plate, connection solvent d75	110.00	1.00	7300231	6509.93
Polyester high layer filter KLAGENFURT d1015/H1880, blue RAL5015, blue top and side cover, sight glass, 1,2 m sand bed, with nozzle plate, connection solvent d90	150.00	1.00	7300232	9563.84
Polyester high layer filter KLAGENFURT d1235/H1950, blue RAL5015, blue top and side cover, sight glass, 1,2 m sand bed, with nozzle plate, connection solvent d90	200.00	1.00	7300233	12172.16
Plexi glass filter lid				
Acrylic filter lid d200 for filter Klagenfurt	0.75	1.00	7300234	195.62
Acrylic filter lid d300 for filter Klagenfurt	1.25	1.00	7300235	315.17
Acrylic filter lid d400 for filter Klagenfurt	1.45	1.00	7300236	652.08

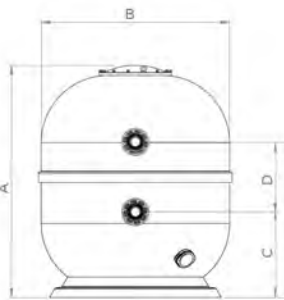


Smart Polyester filter laminated

commercial filter for large private and commercial pools, industrial standard. Fibre glass reinforced filter tank, delivered with pressure relief valve.

- filter bed 1m
- d400mm lid flange type, fibre glass reinforced
- incl. drain set d75, plug 1"
- flange connections
- UV resistant

< 2,5 BAR OPERATION PRESSURE	< 40 °C OPERATION TEMP.
OVER PRESSURE VALVE	FILTER STAR



TECHNICAL DETAILS

Ø Filter B mm	Ø 1050	Ø 1200	Ø 1400	Ø 1600	Ø 1800	Ø 2000
A mm	1755	1755	1755	1755	1980	1980
C mm	685	685	685	685	700	700
D mm	520	520	520	520	720	720
Flange Connection mm	D90	D90	D110	D125	D140	D160
Filtration Area m ²	0,87	1,13	1,54	2,01	2,54	3,14
Flow rate m ³ /h at 50 m ³ /h	43	45-56	62-77	100	125	157
Sand kg 0,4 - 0,8 mm	1100	1450	2050	2350	3350	4300
Sand kg 1,0 - 2,0 mm	200	250	375	500	750	1000

Product	G-kg	PU	Prod.No.	Price €
Smart Polyester filter laminated, side mount, blue d1050 GFK cover 400 mm black, drain set d75 mm incl. 1" plug, filtration bed height 1000 mm, PVC flange connection d90 mm	114.40	1.00	7300546	2930.00
Smart Polyester filter laminated, side mount, blue d1200 GFK cover 400 mm black, drain set d75 mm incl. 1" plug, filtration bed height 1000 mm, PVC flange connection d90 mm	130.50	1.00	7300547	3200.00
Smart Polyester filter laminated, side mount, blue d1400 GFK cover 400 mm black, drain set d75 mm incl. 1" plug, filtration bed height 1000 mm, PVC flange connection d110 mm	167.00	1.00	7300548	3890.00
Smart Polyester filter laminated, side mount, blue d1600 GFK cover 400 mm black, drain set d75 mm incl. 1" plug, filtration bed height 1000 mm, PVC flange connection d125 mm	211.00	1.00	7300549	4720.00
Smart Polyester filter laminated, side mount, blue d1800 GFK cover 400 mm black, drain set d75 mm incl. 1" plug, filtration bed height 1000 mm, PVC flange connection d140 mm	281.00	1.00	7300550	6300.00
Smart Polyester filter laminated, side mount, blue d2000 GFK cover 400 mm black, drain set d75 mm incl. 1" plug, filtration bed height 1000 mm, PVC flange connection d160 mm	302.00	1.00	7300551	8200.00



3" valve and Aquastar® for large filters see in chapter backwash valves



K4 butterfly valves PVC, hand, pneumatic or electric actuator, see in chapter PVC products



DIN filter EISENSTADT (DIN 19605-19643/19644)

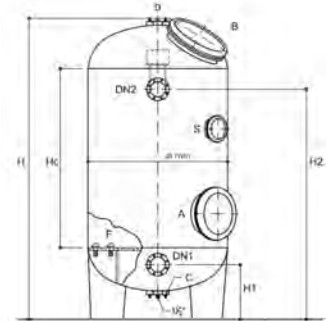
Winded GFK filter acc. DIN 19605-19643/19644.

With nozzle plate (min. 70/m²), lateral man hole Ø 400-500-600, man hole on top from Ø 150 to 500, sight glass Ø 150-210-300. Connection flange PN 10, draining, aerating, GFK feet. Made of isophtalic resin, cover inside made of gel-coat vinylester DIN 18820.

ADDITIONAL EQUIPMENT OPHONAL

- Sight glasses d 150, d 210, d 300
- Man hole lid ACRYL d 400, d 500
- GFK man hole flange d 400, d 500
- GFK man hole lid internal flush d 400, d 500
- Filter ozone resistant
- Filter consisting of 2 or 3 parts
- 4 bar operation pressure (up to d 2000)

Weights, filter bed heights and project offers on request



DIMENSIONS (CYLINDER HEIGHT H_c = 1500,1800 AND 2000 ON REQUEST)

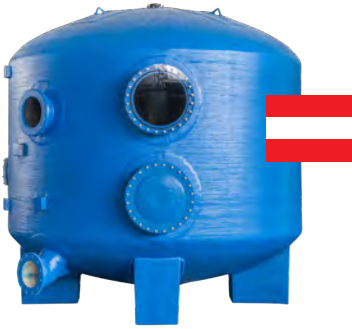
Ø mm	600	750	800	850	900	1000	1100	1200	1250	1400	1500	1600
H mm	2100	2100	2100	2150	2150	2250	2250	2300	2350	2400	2450	2500
H1 mm	200	200	200	200	200	250	250	300	300	300	300	300
H2 mm	1600	1600	1600	1600	1600	1650	1650	1700	1700	1750	1750	1800
A Ø mm	400	400	400	400	400	400	400	400	400	400	400	400
B Ø mm	150	150	210	210	210	300	300	300	400	400	400	400
C DN	50 1"	50 1"	50 1"	50 1"	50 1"	100 1"	100 1"	100 1"	100 1" ½	100 1" ½	100 1" ½	100 1" ½
D DN	50	50	50	50	50	50	50	50	50	50	50	50
Connection DN1/DN2	65/65	65/65	80/80	80/80	100/100	100/125	100/125	125/125	125/125	125/150	150/150	150/200
Amount nozzels	20	33	37	42	47	58	70	84	92	115	132	150
Filtration Area m ²	0,28	0,44	0,51	0,56	0,63	0,78	0,95	1,13	1,22	1,54	1,76	2,01
Q (V = 30 m/h) mc/h	9	13	15	17	19	24	29	34	37	46	53	60

Ø mm	1800	1900	2000	2200	2400	2500	2600	2700	2800	3000	3200
H mm	2550	2600	2700	2750	2800	2850	2900	2950	3000	3050	3150
H1 mm	300	300	350	340	340	340	375	400	425	450	450
H2 mm	1800	1800	1850	1850	850	1900	1900	1900	2000	2000	2000
A Ø mm	500	500	500	500	500	500	500	500	500	500	500
B Ø mm	400	500	500	500	500	500	500	500	500	500	500
C DN	100 1" ½	100 2"	100 2"	100 2"	100 2"	100 2"	100 2"	100 2"	100 2"	100 2"	100 2"
D DN	100	100	100	100	100	100	100	100	100	100	100
Connection DN1/DN2	200/200	200/250	200/250	200/250	200/250	250/300	250/300	250/300	300/300	300/300	300/300
Amount nozzels	195	215	235	285	340	370	400	430	460	530	600
Filtration Area m ²	2,54	2,83	3,14	3,81	4,52	4,91	5,31	5,72	6,15	7,07	8,04
Q (V = 30 m/h) mc/h	76	85	95	114	136	147	160	172	185	212	241

Ö-Norm Filter EISENSTADT

winded GFK filter acc. Ö-NORM M6216:

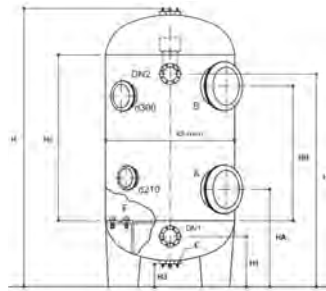
With nozzle plate (min. 70/m²), lateral man hole Ø 400–500, draining, aerating, GFK feet.
Made of isophthalic resin, cover inside made of gel-coat vinylester DIN 18820.



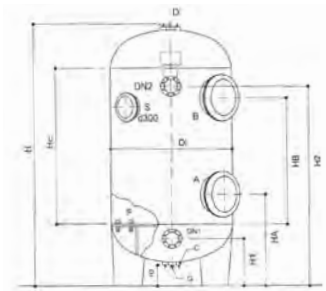
ADDITIONAL EQUIPMENT OPHONAL

- Sight glasses d 150, d 210, d 300
- Man hole lid ACRYL d 400, d 500
- GFK man hole flange d 400, d 500
- GFK man hole lid internal flush d 400, d 500
- Filter ozone resistant
- Filter consisting of 2 or 3 parts
- 4 bar operation pressure (up to d 2000)

Weights, filter bed heights and project offers on request



Dimensions multi-layer filter



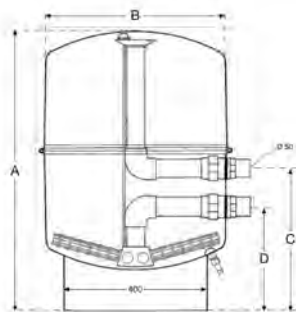
Dimensions single-layer filter

DIMENSIONS (CYLINDER HEIGHT H_c = 1500,1700 AND 2000 ON REQUEST)

Ø mm	600	750	800	850	900	1000	1100	1250	1400	1500	1600
H mm	2100	2100	2100	2150	2150	2250	2250	2350	2400	2450	2500
H1 mm	200	200	200	200	200	250	250	300	300	300	300
H2 mm	1600	1600	1600	1600	1600	1650	1650	1700	1750	1750	1800
H3 mm	100	100	100	100	100	100	100	150	150	150	150
A Ø mm	400	400	400	400	400	400	400	400	400	400	400
B Ø mm	150	150	210	210	210	300	300	400	400	400	400
C DN	50 1"	50 1"	50 1"	50 1"	50 1"	100 1"	100 1"	100 1" ½	100 1" ½	100 1" ½	100 1" ½
D DN	50	50	50	50	50	50	50	50	50	50	50
Connection DN1/DN2	65/65	65/65	80/80	80/80	100/100	100/125	100/125	125/125	125/150	150/150	150/500
Amount nozzels	20	33	37	42	47	58	70	92	115	132	150
Filtration Area m ²	0,28	0,44	0,51	0,56	0,63	0,78	0,95	1,22	1,54	1,76	2,01
Q (V = 30 m/h) mc/h	9	13	15	17	19	24	29	37	46	53	60
HA (mm)	700	750	750	750	750	800	800	850	850	900	1000
HB (mm)	1500	1500	1500	1550	1550	1600	1500	1600	1600	1650	1700

Ø mm	1800	1900	2000	2200	2400	2500	2600	2700	2800	3000	3200
H mm	2550	2600	2700	2750	2800	2850	2900	2950	3000	3050	3150
H1 mm	300	300	350	340	340	340	375	400	425	450	450
H2 mm	1800	1800	1850	1850	850	1900	1900	1900	2000	2000	2000
H3 mm	200	200	200	200	200	200	250	250	250	250	250
A Ø mm	500	500	500	500	500	500	500	500	500	500	500
B Ø mm	400	500	500	500	500	500	500	500	500	500	500
C DN	100 1" ½	100 2"	100 2"	100 2"	100 2"	100 2"	100 2"	100 2"	100 2"	100 2"	100 2"
D DN	100	100	100	100	100	100	100	100	100	100	100
Connection DN1/DN2	150/200	150/200	200/200	200/200	200/200	200/250	200/250	250/250	300/300	300/300	300/300
Amount nozzels	195	215	235	285	340	370	400	430	460	530	600
Filtration Area m ²	2,54	2,83	3,14	3,81	4,52	4,91	5,31	5,72	6,15	7,07	8,04
Q (V = 30 m/h) mc/h	76	85	95	114	136	147	160	172	185	212	241
HA (mm)	1000	1000	1000	1100	1200	1300	1300	1300	1300	1300	1300
HB (mm)	1750	1800	1850	1850	1800	1800	1800	1800	1850	1850	1850

PPGF filter (side mount)



TYP	A	B	C	D
Ø 360	725	360	430	310
Ø 500	795	500	390	270
Ø 600	825	600	405	285



PPGF filter GRAZ 2-parts

with original Praher 7-way valve (manual), 1,8bar operation pressure. 2 years warranty, 2 parts incl. piping set, manoter and union with PVC insert PVC Ø 50 mm

TECHNICAL DETAILS

Prod.No.	78612	78613	78614
Ø Filter D mm	400	500	600
H mm	750	810	1020
Connection	2¼" AG	2¼" AG	2¼" AG
Flow rate at 30 m³/h	3,6	6	8,4
Flow rate at 50 m³/h	6	10	14
Flow rate at 60 m³/h	7,2	12	16,8
Filtration Area m²	0,12m²	0,20m²	0,28m²
Sand 0,4-0,8 mm kg	50	75	125
Max. operation pressure BAR	1,8	1,8	1,8
Net weight kg	10,5	13,8	19,8

Product	G-kg	PU	Prod.No.	Price €
PPGF sand filter GRAZ 2 parts				
Filter GRAZ d400 blue, side mount with original Praher 1 1/2" 6 way valve, manual	10.50	1.00	78612	460.00
Filter GRAZ d500 blue, side mount with original Praher 1 1/2" 6 way valve, manual	14.05	1.00	78613	495.00
Filter GRAZ d600, blue, side mount with original Praher 1 1/2" 6 way valve, manual	21.00	1.00	78614	575.00
AQUASTAR COMFORT				
AquaStar Comfort 3001-24 for V6 ND 1 1/2" + 2" 24V AC/DC, digital clock	2.26	1.00	131219	1358.75
AquaStar Comfort 3001-230 for V6 ND 1 1/2" + 2" 100-240 VAC, digital clock	2.36	1.00	131220	1490.28
AquaStar Comfort 3001-24 for V6 ND 1 1/2" + 2" 24V AC/DC SafetyPack, digital clock	2.68	1.00	131288	1838.97
AquaStar Comfort 3001-230 for V6 ND 1 1/2" + 2" 100-240 VAC SafetyPack, digital clock	2.78	1.00	131289	1852.92
AquaStar Comfort 4001-24 for V6 ND 1 1/2" + 2" 24V AC/DC, time and pressure switch	2.24	1.00	131244	1340.14
AquaStar Comfort 4001-230 for V6 ND 1 1/2" + 2" 100-240 VAC, time and pressure switch	2.34	1.00	131245	1476.65
AquaStar Comfort 4001-24 for V6 ND 1 1/2" + 2" 24V AC/DC SafetyPack, time and pressure switch	2.66	1.00	131292	1824.09
AquaStar Comfort 4001-230 for V6 ND 1 1/2" + 2" 100-240 VAC SafetyPack, time and pressure switch	2.75	1.00	131293	1836.08
AquaStar Comfort 6501-24 for V6 ND 1 1/2" + 2" 24V AC/DC, digital time-pump clock + pressure switch	2.28	1.00	131270	1568.46
AquaStar Comfort 6501-230 for V6 ND 1 1/2" + 2" 100-240 VAC, digital time-pump clock + pressure switch	2.38	1.00	131271	1701.24
AquaStar Comfort 6501-24 for V6 ND 1 1/2" + 2" 24V AC/DC SafetyPack, digital time-pump clock + pressure switch	2.70	1.00	131298	2043.71
AquaStar Comfort 6501-230 for V6 ND 1 1/2" + 2" 100-240 VAC SafetyPack, digital time-pump clock + pressure switch	2.79	1.00	131299	2122.28
FILTER PALETTE				
Filter board GRAZ d400	2.46	1.00	78615	82.53
Filter board GRAZ d500	3.48	1.00	78616	94.31
Filter board GRAZ d600	3.88	1.00	78617	140.22



**+ SERIES M
FILTER PUMP**

Compact filter set GRAZ

with original Praher 7-way valve (manual), + 3 Ocean® unions d50/1 1/2"AG. 1,8 bar operation pressure. 2 years warranty, 2 parts with chrome clamp ring, incl. piping set, manometer and unions with PVC insert, PVC Ø 50 mm, with Smart filter pump, series M, installed on PE filter palette

TECHNICAL DETAILS

Art. Nr.	74429	74430	74431
Ø Filter D mm	400	500	600
H mm	750	810	1020
Connection	2 1/2" AG	2 1/2" AG	2 1/2" AG
Flow rate at 30 m³/h	3,6	6	8,4
Flow rate at 50 m³/h	6	10	14
Flow rate at 60 m³/h	7,2	12	16,8
Filtration Area m²	0,12m²	0,20m²	0,28m²
Sand kg 0,4 - 0,8 mm	50	75	125
Max. operation pressure BAR	1,8BAR	1,8BAR	1,8BAR
Net weight kg	10,5	13,8	19,8

Product	G-kg	PU	Prod.No.	Price €
Compact filter system GRAZ D400 2-parts, blue, incl. original Praher 6-way valve 1 1/2", incl. pump 0,16 kW(0,25 HP) 6 m³/H	35.00	1.00	74429	992.31
Compact filter system GRAZ D500 2-parts, blue, incl. original Praher 6-way valve 1 1/2", incl. pump 0,33 kW(0,50 HP) 10 m³/H	40.00	1.00	74430	1058.88
Compact filter system GRAZ D600 2-parts, blue, incl. original Praher 6-way valve 1 1/2", incl. pump 0,55 kW(0,75 HP) 12 m³/H	45.00	1.00	74431	1237.78



**CREATE YOUR OWN FULLY
AUTOMATIC POOL FILTER**

Select from the wide range the filter dimension you need + the Aquastar® model. We install the original Praher 7-position backwash valve included in the filter set. Of course all Aquastar® models can be delivered with the matching piping sets for all common filter brands for retro-fit and automa-tization of your manual filter system.



CAUTION

In case of installation in basements, a main drain is needed.
Do not open the filter clamp ring when filter is under pressure.



P-Aqua Filter side mount

Polypropylen filter with original Praher 7-way valve, side mount version, incl. manometer and manual, aerating valve, 3.75 bar operation pressure / 40°C operation temperature, beige, polished.

TECHNICAL DETAILS

Model	Valve	A	A1	B	C	D	E
		mm	mm	mm	mm	mm	mm
74679	1½"	645	585	450	716	206	356
74680	1½"	795	735	530	730	281	431
74681	1½"	830	768	620	820	300	449
74682	2"	1010	955	790	1102	349	579

SAND QUANTITY KG

	d450	d530	d620	d790
Granular Size 0,4-0,8mm	75	100	150	250



CREATE YOUR OWN FULLY AUTOMATIC POOL FILTER

Select from the wide range the filter dimension you need + the Aquastar® model. We install the original Praher 7-position backwash valve included in the filter set. Of course all Aquastar® models can be delivered with the matching piping sets for all common filter brands for retro-fit and automation of your manual filter system.

Product	G-kg	PU	Prod.No.	Price €
P-Aqua Filter				
Polypropylen filter d450 with original Praher 6-way valve, side mount version, incl. manometer and manual airating valve, beige, polished	9.00	1.00	74679	458.54
Polypropylen filter d530 with original Praher 6-way valve, side mount version, incl. manometer and manual airating valve, beige, polished	15.50	1.00	74680	524.72
Polypropylen filter d620 with original Praher 6-way valve, side mount version, incl. manometer and manual airating valve, beige, polished	15.34	1.00	74681	589.71
Polypropylen filter d790 with original Praher 6-way valve, side mount version, incl. manometer and manual airating valve, beige, polished	27.00	1.00	74682	978.52
AQUASTAR COMFORT				
AquaStar Comfort 3001-24 for V6 ND 1 1/2" + 2" 24V AC/DC, digital clock	2.26	1.00	131219	1358.75
AquaStar Comfort 3001-230 for V6 ND 1 1/2" + 2" 100-240 VAC, digital clock	2.36	1.00	131220	1490.28
AquaStar Comfort 3001-24 for V6 ND 1 1/2" + 2" 24V AC/DC SafetyPack, digital clock	2.68	1.00	131288	1838.97
AquaStar Comfort 3001-230 for V6 ND 1 1/2" + 2" 100-240 VAC SafetyPack, digital clock	2.78	1.00	131289	1852.92
AquaStar Comfort 4001-24 for V6 ND 1 1/2" + 2" 24V AC/DC, time and pressure switch	2.24	1.00	131244	1340.14
AquaStar Comfort 4001-230 for V6 ND 1 1/2" + 2" 100-240 VAC, time and pressure switch	2.34	1.00	131245	1476.65
AquaStar Comfort 4001-24 for V6 ND 1 1/2" + 2" 24V AC/DC SafetyPack, time and pressure switch	2.66	1.00	131292	1824.09
AquaStar Comfort 4001-230 for V6 ND 1 1/2" + 2" 100-240 VAC SafetyPack, time and pressure switch	2.75	1.00	131293	1836.08
AquaStar Comfort 6501-24 for V6 ND 1 1/2" + 2" 24V AC/DC, digital time-pump clock + pressure switch	2.28	1.00	131270	1568.46
AquaStar Comfort 6501-230 for V6 ND 1 1/2" + 2" 100-240 VAC, digital time-pump clock + pressure switch	2.38	1.00	131271	1701.24
AquaStar Comfort 6501-24 for V6 ND 1 1/2" + 2" 24V AC/DC SafetyPack, digital time-pump clock + pressure switch	2.70	1.00	131298	2043.71
AquaStar Comfort 6501-230 for V6 ND 1 1/2" + 2" 100-240 VAC SafetyPack, digital time-pump clock + pressure switch	2.79	1.00	131299	2122.28



Kunststofffilter (top mount)



P-Aqua filter top mount

Polypropylen filter with original Praher 7-way valve, side mount version, incl. manometer and manual, aerating valve, 3.75 bar operation pressure / 40°C operation temperature, beige, polished.

TECHNICAL DETAILS

Model	Valve	A	B	D	E
		mm	mm	mm	mm
74686	1½"	775	450	206	356
74687	1½"	925	530	280	430
74688	1½"	960	620	300	450

SAND QUANTITY KG

	d450	d530	d620
Granular Size 0,4-0,8mm	75	100	150



CREATE YOUR OWN FULLY AUTOMATIC POOL FILTER

Select from the wide range the filter dimension you need + the Aquastar® model. We install the original Praher 7-position backwash valve included in the filter set. Of course all Aquastar® models can be delivered with the matching piping sets for all common filter brands for retro-fit and automatization of your manual filter system.

Product	G-kg	PU	Prod.No.	Price €
P-Aqua filter top mount				
Polypropylen filter d450, with original Praher 6-way valve, top mount version, incl. manometer and manual airating valve, beige, polished	11.08	1.00	74686	432.54
Polypropylen filter d530, with original Praher 6-way valve, top mount version, incl. manometer and manual airating valve, beige, polished	16.98	1.00	74687	561.35
Polypropylen filter d620, with original Praher 6-way valve, top mount verion, incl. manometer and manual airating valve, beige, polished	17.28	1.00	74688	621.62
AQUASTAR COMFORT				
AquaStar Comfort 3001-24 for V6 ND 1 1/2" + 2" 24V AC/DC, digital clock	2.26	1.00	131219	1358.75
AquaStar Comfort 3001-230 for V6 ND 1 1/2" + 2" 100-240 VAC, digital clock	2.36	1.00	131220	1490.28
AquaStar Comfort 3001-24 for V6 ND 1 1/2" + 2" 24V AC/DC SafetyPack, digital clock	2.68	1.00	131288	1838.97
AquaStar Comfort 3001-230 for V6 ND 1 1/2" + 2" 100-240 VAC SafetyPack, digital clock	2.78	1.00	131289	1852.92
AquaStar Comfort 4001-24 for V6 ND 1 1/2" + 2" 24V AC/DC, time and pressure switch	2.24	1.00	131244	1340.14
AquaStar Comfort 4001-230 for V6 ND 1 1/2" + 2" 100-240 VAC, time and pressure switch	2.34	1.00	131245	1476.65
AquaStar Comfort 4001-24 for V6 ND 1 1/2" + 2" 24V AC/DC SafetyPack, time and pressure switch	2.66	1.00	131292	1824.09
AquaStar Comfort 4001-230 for V6 ND 1 1/2" + 2" 100-240 VAC SafetyPack, time and pressure switch	2.75	1.00	131293	1836.08
AquaStar Comfort 6501-24 for V6 ND 1 1/2" + 2" 24V AC/DC, digital time-pump clock + pressure switch	2.28	1.00	131270	1568.46
AquaStar Comfort 6501-230 for V6 ND 1 1/2" + 2" 100-240 VAC, digital time-pump clock + pressure switch	2.38	1.00	131271	1701.24
AquaStar Comfort 6501-24 for V6 ND 1 1/2" + 2" 24V AC/DC SafetyPack, digital time-pump clock + pressure switch	2.70	1.00	131298	2043.71
AquaStar Comfort 6501-230 for V6 ND 1 1/2" + 2" 100-240 VAC SafetyPack, digital time-pump clock + pressure switch	2.79	1.00	131299	2122.28





Compact filter set ATTERSEE - PREMIUM

with original Praher 6-way Top Mount valve installed on PPGFK plate, Smart pump, ready for plug-in, filter tank blown PE, 3x Ocean® adapter unions d50

SAND QUANTITY KG

Sand 0,4 - 0,8 mm	
d300	25 kg
d400	50 kg
d500	75 kg

+ SERIES M
FILTER PUMP

MADE IN
AUSTRIA & GERMANY



BEST PRICE
& TOP QUALITY

Product	G-kg	PU	Prod.No.	Price €
Compact filter system ATTERSEE D300 black, incl. original Praher 6-way valvel 1 1/2", incl.pump 0,16 kW(0,25 HP) 6 m3/H	12.98	1.00	7300601	590.00
Compact filter set ATTERSEE D400 black, incl. original Praher 6-way valvel 1 1/2", incl.pump 0,16 kW(0,25 HP) 6 m3/H	13.26	1.00	74432	635.00
Compact filter system ATTERSEE D500 black, incl. original Praher 6-way valve 1 1/2", incl. pump 0,33 kW(0,50 HP) 10 m3/H	15.14	1.00	74433	937.16



THE RESULT MATTERS

CRYSTAL-CLEAR POOL WATER WITH HIGHEST HYGIENE FACTORS



Nature Works

Crystal-clear pool water with the highest hygienic factor through glass filter medium made from the purest, white flat glass with regard to the environment.

- maximum performance for crystal clear, hygienic pool water
- resistant against biofilm and bacteria
- Nature Works is 99.99% free from contamination
- less backwashing due to anti-compaction technology
- maximum lifetime
- economical use of pool chemistry
- recycled flat glass
- JUST ONE granular size for all filter sizes necessary

Product	G-kg	PU	Prod.No.	Price €
Smart Nature Works Hi-Tech Filter Media, packing unit =20 kg bag	20.00	50.00	7300372	32.00

FILTRATION up to
10 μ

EASY HANDLING 20 kg bags





FILTRATION up to
20 μ



Symbol image

Smart glass filter medium

bag 25 kg

SAVING ON BACKWASHING AND THE RESULTANT WATER, ENERGY AND CHEMICAL TREATMENT COSTS

- Its angular to sub-angular particle shape and bound silica content provides a 30% improvement in turbidity removal over silica sand
 - It generally removes finer particles from water than the equivalent grade of silica sand
 - Its non porous composition means it is less likely to 'clump' or channel than silica sand
- With superior permeability, back washes take less time, saving water/sewer charges, and energy and chemical treatment costs

SMART GLASS FILTER MEDIUM IS CLEANER

It is less susceptible to bio-fouling as, unlike silica sand, GLASS FILTER MEDIUM particles have a smoother surface, so bacteria cannot get trapped in any cracks or flaws, which means less remedial action and again less chemical treatment to destroy pollutants.

Product	G-kg	PU	Prod.No.	Price €
Smart glass filter medium step 1: 0,5-1,0 mm, 25 kg bag	25.00	40.00	78345	23.00
Smart glass filter medium step 2: 1,0-3,0 mm, 25 kg bag	25.00	40.00	78346	23.00
Smart glass filter medium step 3: 3,0-7,0 mm, 25 kg bag	25.00	40.00	78347	23.00



Smart filter sand

washed, crushed und fire-dried, acc. to EN 12904, 25 kg, made in Austria

Product	G-kg	PU	Prod.No.	Price €
Filter sand 0,7 - 1,25 mm DIN 19623 25 kg	25.00	0.00	78086	10.40
Filter sand 1,0 - 2,0 mm DIN 19623 25 kg	25.00	0.00	78087	10.40
Filter sand 0,4 - 0,8 mm DIN 19623 25 kg	25.00	0.00	78339	10.40
Filter sand 2,0 - 3,0 mm DIN 19623 25 kg	25.00	0.00	78340	10.40
Filter sand 3,0 - 5,0 mm DIN 19623 25 kg	25.00	0.00	78341	10.40
Filter sand 5,0 - 7,0 mm DIN 19623 25 kg	25.00	0.00	78342	10.40



Smart Anthrasit filter medium

Hydro Anthrasit Type H, granulation 1, 0,6-1,6 mm, layer height 600-800 mm, DIN12907/19643
Hydro Anthrasit Type N, granulation 1, 0,6-1,6 mm, layer height 600-800 mm, DIN12909/19643

DVGW documentation W213, packed in robust 50 l bags

Product	G-kg	PU	Prod.No.	Price €
Smart Hydro Anthrasit H filter medium, 50 lt. bag EN12907	50.00	20.00	740131	96.73
Smart Hydro Anthrasit N filter medium, 50 lt. bag EN12907	50.00	20.00	740132	96.73

Smart swimming pool pump E-Pro
whisperingly quiet and up to 90% energy saving

smart

page 134



PUMPS

134 | Smart pumps

WE TALK ABOUT PERFORMANCE

NO FILTRATION WITHOUT A PUMP

The swimming pool pump is the driver in a filter system, it brings the necessary "power" for the filtration process. The right choice of the pump helps to assure an excellent water quality and to plan the system economically and energy-efficiently.

A self-priming pump allows, for example, the processing of air fractions in the water. It is always important

that the pump is filled with water before starting operation.

In addition, during planning, consider the right, frost-proof location, good ventilation and good accessibility for maintenance. Avoid unpleasant noises using anti-vibration feet.

TABLE FOR CHOOSING SMART E.PRO & EUROPRO

for private pools

Dimensions Swimming pool m	Pool size m ²	Flow m ³ /h	Model	
8x4	35 tp 50	9	E.Pro150	Europro 50
8x4 to 10x5	50 to 70	12	E.Pro150	Europro75
10x5 to 12x5	70 to 90	15	E.Pro150	Europro75 Europro100
11x6 to 12x6	90 to 110	18	E.Pro150	Euroswim 100

EXAMPLE FOR THE RIGHT DIMENSIONS OF THE PUMP

Dimensions swimming pool:
8 x 4 x 1,5m = 48m³ water

Circulation time at average load:
approx. 5 hours.

means the average flow is:
 $48\text{m}^3 / 5 = 9,6\text{m}^3 / \text{h}$

Now you still have to consider the required total lifting height for the system, that is the sum of friction losses (e.g. in all fittings), height differences, filter resistance, etc.

Using a diagram for the delivery height you choose the pump so that the pump characteristic line is located over the operating point of the pool site.





Smart swimming pool pump E.Pro
stepless regulation, up to 90% energy saving, whisperingly quiet

page 134

smart



SMART SWIMMING POOL PUMP E.PRO

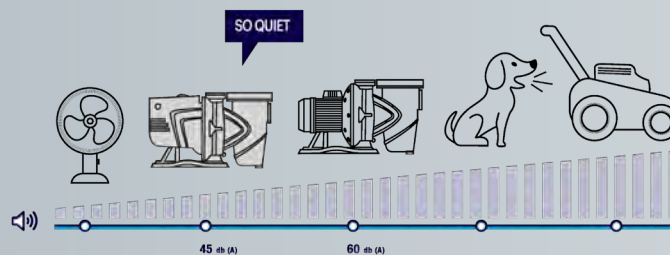
The function of the filter pump can be compared with the heart in the human body. It drives the filtering process and also regulates the speed of the filtering process.

Pool water comes to the pump via the skimmer. Through a pre-filter for rough impurities the water will be forwarded to the filter body at a defined speed, where it is finely filtered.

The most important factor of a swimming pool pump are the right performance related to the pool size, compactness and energy efficiency. Also an essential factor is the noise development during runtime.

NEW

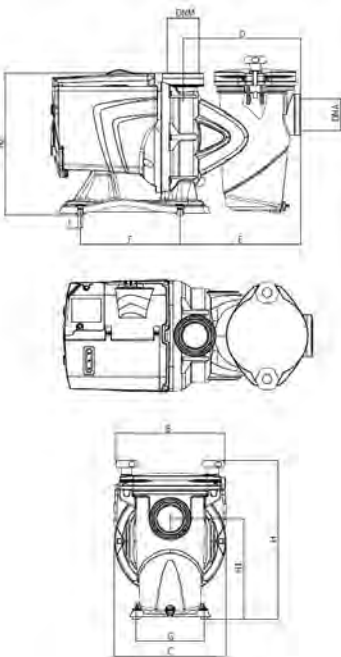
With around 45 db (A), our new Smart E.Pro is a particularly quiet one, please have a look at below noise level comparison.





STEPLESS	EXTRA QUIET
UP TO 90% ENERGY SAVING	< 30 M³/H UP TO 15,4 m
WATER COOLED	4% SALT WATER RESISTANT

E.Pro 300 for large private and public pools are already in finalization. Please contact us for availability for your project.



Smart swimming pool pump E.Pro

APPLICATIONS

E.Pro is a quiet and most energy efficient electric swimming pool pump with integrated high capacity basket. E.Pro combines state-of-the-art hydraulic engineering parts, frequency converter technology and high-efficiency permanent magnet motor (with its innovative water-cooled motor). With these properties, the speed can be adjusted, which enables high energy efficiency. Extremely quiet and very reliable, developed for water circulation and filtration in home and building swimming pools. Also suitable for specific applications e.g. in fisheries, agriculture and industry.

CONSTRUCTION

Transparent, antioxidant cover of the filter for optimal insight. Fiberglass reinforced technopolymer hydraulics in order to have a completely isolated motor shaft from the pumped fluid. Carbon / Alumina / NBR / AISI316 mechanical seal, filling screws that can be removed and reassembled without tools.

E.Pro is provided with a synchronous permanent magnet motor controlled by a frequency converter. The engine is water cooled (no engine fan) and runs extremely quiet. Aluminum housing with special coating to avoid oxidation. Support foot with rubber feet to reduce vibration.

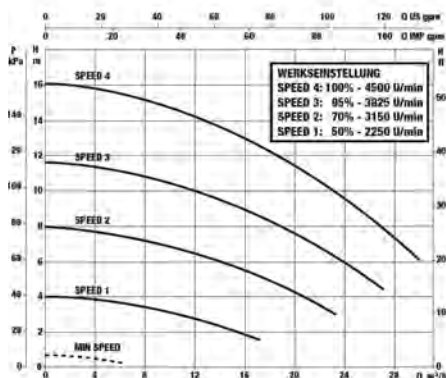
HIGHLIGHTS

- low noise: new water cooled engine
- high efficiency: thanks to the new engine, new hydraulics, new electronic engine control.
- Design: modern and compact
- Reliable: all components are designed for a long service life
- fewer models: one model includes the power of 4 pumps (0.33 kW, 0.5 kW, 0.75 kW, 1.1 kW)

TECHNICAL DETAILS

Prod.No.	7300445										
Current voltage 50/60 Hz	230 V, single-phase										
P1 max	1250 W										
P2 rated output	1,1 kw, 1,5 PS										
In	5,6 A										
Noise level max. (A)	45 db										
DNA/DNM	2"										
Delivery height	16 m										
Net weight	19 kg										
Dimensions cm	A	B	C	D	E	F	G	H	H1	H2	I
	550	242	245	259	266	220	150	351	217	309	11

Product	G-kg	PU	Prod.No.	Price €
Swimming pool pump E.Pro 150, variable speed, self-priming, female thread 2", 27m ³ /h at 15,4m, 230V, P1 - 1,25kW, P2 - 1,1kW, with large pre-filter	20.60	1.00	7300445	1780.00
E.Pro 150 data cable	1.15	1.00	7300489	97.00



CHARACTERISTICS E.PRO



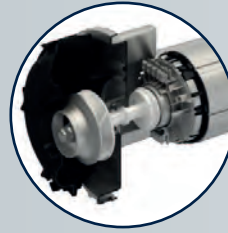
DESIGN

Technological solution that combines aesthetic elements with robust materials and high resistance to corrosion and oxidation.



INTEGRATED PRE-FILTER

High capacity strainer basket, with easy to remove cover and simply to pull out and cleaning filter.



SYNCHRONOUS PERMANENT MAGNET MOTOR

The new synchronous permanent magnet motor, defines a new reference point in the market in terms of efficiency and reliability.



WATER COOLING

Motor cooled by the pumped water, which allows the elimination of the fan having a more compact product that can be installed in small poorly ventilated spaces.



Symbol image without toggle screws



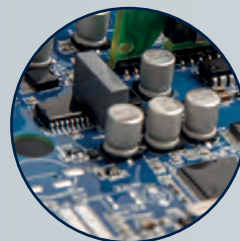
USER CONTROL PANEL

Intuitive interface panel for immediate control of the pump and programming according to any needs. High resolution LCD display



ANTI-FIBRATION FEET

Basement that guarantees stability by reducing vibration thanks to integrated rubber feet.



VARIABLE SPEED

Frequency converter electronic board that allows to work with variable speed or variable flow to optimize performance and minimize power consumption without the use of sensors.



HYDRAULIC PARTS

Equipped with impeller and volute, designed specifically to improve / optimize the hydraulic efficiency.



Smart swimming pool pump Europro

self-priming high-performance centrifugal pump with integrated pre-filter. Fully watertight motor, extremely quiet and very reliable, designed for the circulation and filtration of water in domestic and public swimming pools.

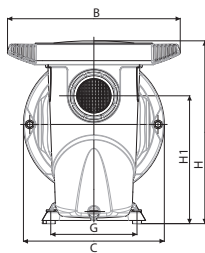
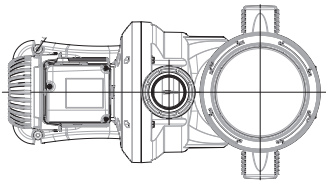
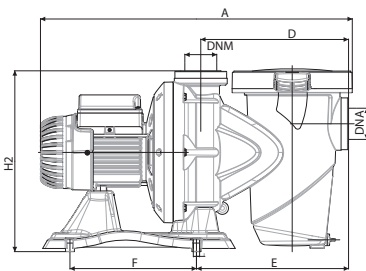
< 40 M³/H at 10 m	COMPACT DESIGN
IP 55 STANDARD	2" IG CONNECTION

TECHNICAL DETAILS

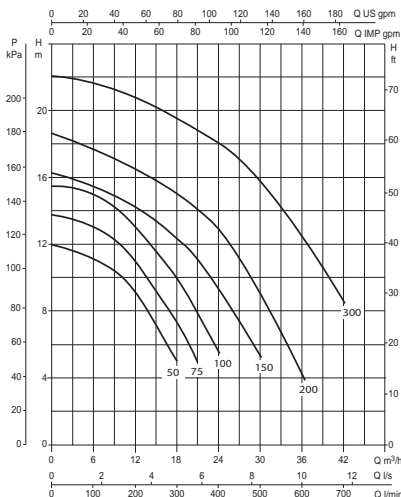
Prod.No.	Current Voltage 50 Hz	P1 max. W	P2 kW - PS	In A	Condeser µF - Vc	Noise level max db	Gross weight kg
7300446	1x220-240V	900	0,33 - 0,5	4,2	16 - 450	53	11,1
7300447	1x220-240V	1000	0,5 - 0,75	5	20 - 450	56	12,1
7300452	3x230-400V	950	0,5 - 0,75	3,5 / 2	/ - /	56	12,1
7300448	1x220-240V	1300	0,75 - 1	6,3	25 - 450	57	13,8
7300453	3x230-400V	1200	0,75 - 1	4 / 4,2	/ - /	57	13,8
7300449	1x220-240V	1600	1,1 - 1,5	7	31,5 - 450	59	16,7
7300454	3x230-400V	1500	1,1 - 1,5	5 / 2,9	/ - /	59	16,7
7300450	1x220-240V	1900	1,5 - 2	8,6	40 - 450	62	20
7300455	3x230-400V	1900	1,2 - 2	6 / 3,5	/ - /	62	17,6
7300451	1x220-240V	2800	2,2 - 3	12	40 - 450	64	23,9
7300456	3x230-400V	2800	2,2 - 3	8,7 / 5	/ - /	64	19,9

DIMENSIONS

Prod.No.	A	B	C	D	R	F	G	H	H1	H2	I	L	DNA DNM
7300446	536	242	245	257	265	220	150	351	222	314	11	6,5	G2"
7300447	552	242	245	257	265	220	150	351	222	314	11	6,5	G2"
7300452	552	242	245	257	265	220	150	351	222	314	11	6,5	G2"
7300448	552	242	245	257	265	220	150	351	222	314	11	6,5	G2"
7300453	552	242	245	257	265	220	150	351	222	314	11	6,5	G2"
7300449	574	250	290	267	274	220	150	387	258	350	11	6,5	G2"
7300454	574	250	290	267	274	220	150	387	258	350	11	6,5	G2"
7300450	648	250	290	267	274	220	150	387	258	350	11	6,5	G2"
7300455	648	250	290	267	274	220	150	387	258	350	11	6,5	G2"
7300451	648	252	290	267	274	220	150	387	258	350	11	6,5	G2"
7300456	648	252	290	267	274	220	150	387	258	350	11	6,5	G2"



Product	G-kg	PU	Prod.No.	Price €
Swimming pool pump Europro 50M, self-priming, female thread 2", 11m ³ /h at 10m, 230V, P1 - 0,9kW, P2 - 0,33kW, with large pre-filter	11.10	1.00	7300446	494.63
Swimming pool pump Europro 75M, self-priming, female thread 2", 14m ³ /h at 10m, 230V, P1 - 1,0kW, P2 - 0,5kW, with large pre-filter	12.10	1.00	7300447	529.47
Swimming pool pump Europro 100M, self-priming, female thread 2", 16m ³ /h at 10m, 230V, P1 - 1,3kW, P2 - 0,75kW, with large pre-filter	13.80	1.00	7300448	553.85
Swimming pool pump Europro 150M, self-priming, female thread 2", 23m ³ /h at 10m, 230V, P1 - 1,6kW, P2 - 1,1kW, with large pre-filter	16.70	1.00	7300449	654.87
Swimming pool pump Europro 200M, self-priming, female thread 2", 30m ³ /h at 10m, 230V, P1 - 1,9kW, P2 - 1,5kW, with large pre-filter	20.00	1.00	7300450	724.53
Swimming pool pump Europro 300M, self-priming, female thread 2", 38m ³ /h at 10m, 230V, P1 - 2,8kW, P2 - 2,2kW, with large pre-filter	23.90	1.00	7300451	790.72
Swimming pool pump Europro 75T IE3, self-priming, female thread 2", 14m ³ /h at 10m, 230V, P1 - 1,3kW, P2 - 0,75kW, with large pre-filter	12.10	1.00	7300452	574.75
Swimming pool pump Europro 100T IE3, self-priming, female thread 2", 16m ³ /h at 10m, 400V, P1 - 1,2kW, P2 - 0,75kW, with large pre-filter	13.80	1.00	7300453	599.13
Swimming pool pump Europro 150T IE3, self-priming, female thread 2", 23m ³ /h at 10m, 400V, P1 - 1,5kW, P2 - 1,1kW, with large pre-filter	16.70	1.00	7300454	707.12
Swimming pool pump Europro 200T IE3, self-priming, female thread 2", 30m ³ /h at 10m, 400V, P1 - 1,9kW, P2 - 1,5kW, with large pre-filter	17.60	1.00	7300455	783.75
Swimming pool pump Europro 300T IE3, self-priming, female thread 2", 38m ³ /h at 10m, 400V, P1 - 2,8kW, P2 - 2,2kW, with large pre-filter	19.90	1.00	7300456	853.42





6-15,3 M³/H
at 10 m

D50
CONNECTION

Smart filter pump series M

self priming, solvent socket d50/female thread 1½", 230 V with prefilter

APPLICATION

Electrical self priming pump for pools with large pre-filter, which, together with its excellent hydraulic performance, gives a very large filtering capacity. A filter with transparent, polycarbonate lid that easily allows inspection of the interior of the pre-filter sieve. No possible electrical contact with the water as no part of the motor is in open to it.

MATERIAL

Pump body, lid and diffuser in polypropylene, resistant to the chemical products in the pools and reinforced with glass fibre, guaranteeing excellent duration. Shaft in stainless steel AISI316. Noryl impeller. Transparent lid in polycarbonate. Support base in aluminium. Mechanical seal in carbon-ceramic and stainless steel AISI316. Bolts in AISI304. The pump allows two possible connections: Female thread 1½", Connection for PVC pipe d50 to glue

MOTOR

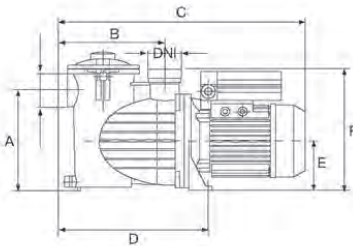
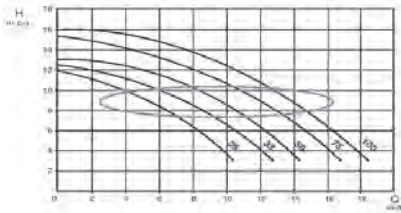
Asynchronous motor, sealed from external ventilation. Protection IP55. 2,850 rpm, 50 Hz (on request 60 Hz). Class F insulation. Motor bearings greased for life and selected to ensure long duration and silent working.

TECHNICAL DETAILS

Pump	P2 (kW)	P1 (kW)	Cond. µF	DNA/DNI	Net Kg.	Gross Kg.
M25 M	0,16	0,29	20	1½"	10	11,6
M33 M	0,25	0,38	20	1½"	10	11,6
M50 M	0,37	0,57	20	1½"	10	11,6
M75 M	0,55	0,88	20	1½"	11	12,6
M100 M	0,70	1,06	20	1½"	11	12,6

DIMENSIONS

Pump	A	B	C	D	E	F	G	H	I	J	L	A	H
M25	191	205	470	285	95	233	140	180	265	197	630	230	360
M33	191	205	470	285	95	233	140	180	265	197	630	230	360
M50	191	205	470	285	95	233	140	180	265	197	630	230	360
M75 (12 m ³ /h)	191	205	470	285	95	233	140	180	265	197	630	230	360
M100	191	205	470	285	95	233	140	180	265	197	630	230	360



Pre-filter integrated

Product	G-kg	PU	Prod.No.	Price €
Swimming pool pump M25 self-priming solvent socket-female thread d50-1 1/2" 6m3/h 230V with pre-filter	11.60	1.00	77590	321.39
Swimming pool pump M33 self-priming solvent socket-female thread d50-1 1/2" 8m3/h 230V with pre-filter	11.60	1.00	77591	321.39
Swimming pool pump M50 self-priming solvent socket-female thread d50-1 1/2" 10 m3/h 230V with pre-filter	11.60	1.00	77592	341.24
Swimming pool pump M75 self-priming solvent socket-female thread d50-1 1/2" 12,5 m3/h 230V with pre-filter	12.60	1.00	77594	351.16
Swimming pool pump M100 self-priming solvent socket-female thread d50-1 1/2" 15,3 m3/h 230V with pre-filter	12.60	1.00	77595	387.15
Swimming pool pump M25 self-priming solvent socket-female thread d50-1 1/2" 4m3/h 400V 0,16 kW, 0,25 HP	11.60	1.00	77590a	330.91
Swimming pool pump M33 self-priming solvent socket-female thread d50-1 1/2" 6m3/h 400V 0,25 kW, 0,33 HP	11.60	1.00	77591a	336.81
Swimming pool pump M50 self-priming solvent socket-female thread d50-1 1/2" 8m3/h 400V 0,33 kW, 0,5 HP	11.60	1.00	77592a	348.63
Swimming pool pump M75 self-priming solvent socket-female thread d50-1 1/2" 10 m3/h 400V 0,55 kW, 0,75 HP	12.60	1.00	77594a	360.46
Swimming pool pump M100 self-priming solvent socket-female thread d50-1 1/2" 14m3/h 400V 0,75 kW, 1 HP	12.60	1.00	77595a	395.90



Smart filter pump series W

self priming, 2", 230 V

APPLICATION

Electrical self priming pump for pools with large pre-filter, which, together with its excellent hydraulic performance, gives a very large filtering capacity. A filter with transparent, poly-carbonate lid that easily allows inspection of the interior of the pre-filter sieve. No possible electrical contact with the water as no part of the motor is in open to it.

MATERIAL

Pump body, lid, base and diffuser and opening key in polypropylene, resistant to the chemical products in the pools and reinforced with glass fibre, guaranteeing excellent duration. Shaft in stainless steel AISI316. Noryl impeller. Mechanical seal in carbon-ceramic, on request: silicon carbide/tungsten carbon / AISI316. Bolts in AISI304 stainless steel. Intake and outlet connection 2".

MOTOR

Asynchronous motor, sealed from external ventilation. Protection IP55. 2.850 rpm, 50 - 60Hz Class F insulation. Motor bearings greased for life and selected to ensure long duration and silent working.

11,1-29 M³/H
at 10 m

D63
CONNECTION

LARGE
SCREW CAP

LARGE
PRE-FILTER

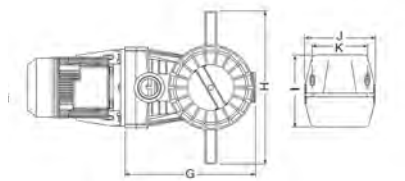
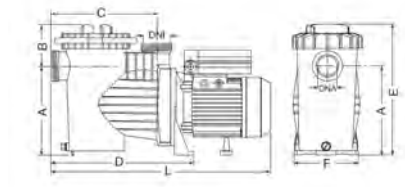
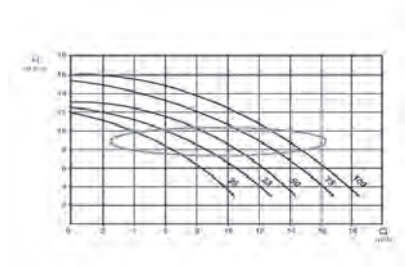
TECHNICAL DETAILS

Pump	P2 (kW)	P1 (kW)	Cond. µF	DNA/DNI	Net Kg.	Gross Kg.
W50 M	0,37	0,57	20	2"	11	12,6
W50 T	0,37	0,56	0	2"	11	12,6
W75 M	0,55	0,8	20	2"	11,4	13
W75 T	0,55	0,77	0	2"	11,4	13
W100 M	0,75	1,06	25	2"	13	14,6
W100 T	0,75	1,03	0	2"	13	14,6
W150 M	1,1	1,51	30	2"	15,8	17,6
W150 T	1,1	1,49	0	2"	15,8	17,6
W200 M	1,5	2	40	2"	18,4	20
W200 T	1,5	2	0	2"	18,4	20
W300 M	2,2	2,78	40	2"	21	22,6
W300 T	2,2	2,75	0	2"	21	22,6

DIMENSIONS

Pump	A	B	C	D	E	F	G	H	I	J	L	A	H	
													packaging	
W50	216	109	265	370	325	206	325	400	220	205	550	230	360	
W75	216	109	265	370	325	206	325	400	220	205	550	230	360	
W100	216	109	265	370	325	206	325	400	220	205	550	230	360	
W150	216	109	265	370	325	206	325	400	220	205	580	230	360	
W200	216	109	265	370	325	206	325	400	220	205	580	230	360	
W300	216	109	265	370	325	206	325	400	220	205	630	230	360	

Product	G-kg	PU	Prod.No.	Price €
Swimming pool pump W50 self-priming 2" 230V P1 0,57 kW, P2 0,37 kW	12.60	1.00	77964	382.20
Swimming pool pump W75 self-priming 2" 230V P1 0,80 kW, P2 0,55 kW	13.00	1.00	77957	407.01
Swimming pool pump W100 self-priming 2" 230V P1 1,06 kW, P2 0,75 kW	14.60	1.00	77958	446.72
Swimming pool pump W100 self-priming 2" 230V P1 1,06 kW, P2 0,75 kW	17.60	1.00	77959	491.40
Swimming pool pump W200 self-priming 2" 230V P1 2,0 kW, P2 1,5 kW	20.00	1.00	77960	575.76
Swimming pool pump W300 self-priming 2" 230V P1 2,78 kW, P2 2,2 kW	22.60	1.00	77961	678.76
Swimming pool pump W50 self-priming 2" 400V P1 0,56kW, P2 0,37kW	12.60	1.00	77964a	389.98
Swimming pool pump W75 self-priming 2" 400V P1 0,77 kW, P2 0,55 kW	13.00	1.00	77957a	419.54
Swimming pool pump W100 self-priming 2" 400V P1 1,03 kW, P2 0,75 kW	14.60	1.00	77958a	460.89
Swimming pool pump W150 self-priming 2" 400V P1 1,49 kW, P2 1,1 kW	17.60	1.00	77959a	508.16
Swimming pool pump W200 self-priming 2" 400V P1 2,0 kW, P2 1,5 kW	20.00	1.00	77960a	589.71
Swimming pool pump W300 self-priming 2" 400V P1 2,75 kW, P2 2,2 kW	22.60	1.00	77961a	667.72



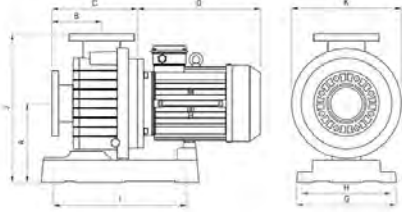
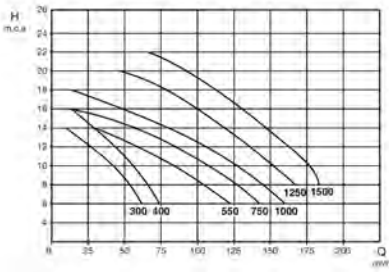
großer integrierter Vorfilter



HIGH
FLOW RATE

FANGE
CONNECTION

JETSTREAM
SUITABLE



Smart filter pump series K

Centrifugal pump, suitable for swim jets

APPLICATION

The pump is designed to move water at a rate sufficient for counter-current swimming, and can also be used in water parks, for fountains, cascades, etc. Features standard connection flanges which together with a broad base make the system extremely robust. Counter-flanges not supplied as standard. Turbine available in 2 versions, Noryl or marine bronze, as per request.

MATERIAL

Pump body, volute, countervolute and cover made of glass fibre-loaded polypropylene resistant to pool chemicals. Mechanical seal in ceramic carbon and AISI-316 stainless steel (also for use with sea water) Screws and shaft stainless steel AISI-316

MOTOR

Asynchronous motor with external ventilation. Protection grade IP-55. Class F insulation. Double frequency (50 and 60 Hz). Motor bearings greased for life to ensure long and silent operation.

TECHNICAL DETAILS

Pump	P2 (kW)	P1 (kW)	Net Kg.	Gross Kg.
K300	2,2	2,72	36	37,5
K400	3	3,63	37	39,5
K550	4	4,75	47	48,5
K750	5,5	6,42	59,5	61
K1000	7,5	8,62	69,5	71
K1250	9,2	10,45	78	79,5
K1500	11	12,44	79	80,5

DIMENSIONS

Pump	A	B	C	D	G	H	I	J	K	A1	H1	L1
	packaging											
K300	265	165	255	310	335	300	450	495	370	385	595	840
K400	265	165	255	310	335	300	450	495	370	385	595	840
K550	265	165	255	330	335	300	450	495	370	385	595	840
K750	265	165	255	380	335	300	450	495	370	385	595	840
K1000	265	165	255	380	335	300	450	495	370	385	595	840
K1250	265	165	255	380	335	300	450	495	370	385	595	840
K1500	265	165	255	380	335	300	450	495	370	385	595	840

Product	G-kg	PU	Prod.No.	Price €
Smart Filter Pump Series K 300 230-400V, 1450 rpm 2,2 kW, 3 HP, 43 m³/h at 10m	37.50	1.00	74471	1353.14
Smart Filter Pump Series K 400 230-400V, 1450 rpm 3 kW, 4 HP, 56 m³/h at 10m	39.50	1.00	74472	1388.61
Smart Filter Pump Series K 550 230-400V, 1450 rpm 4 kW, 5,5 HP, 84 m³/h at 10m	48.50	1.00	74473	1589.51
Smart Filter Pump Series K 750 400-690V, 1450 rpm 5,5 kW, 7,5 HP, 107 m³/h at 10m	61.00	1.00	74474	2493.57
Smart Filter Pump Series K 1000 400-690V, 1450 rpm 7,5 kW, 10 HP, 126 m³/h at 10m	71.00	1.00	74475	2564.48
Smart Filter Pump Series K 1250 400-690V, 2850 rpm 9,2 kW, 12,5 HP, 152 m³/h at 10m	79.50	1.00	74476	3049.00
Smart Filter Pump Series K 1500 400-690V, 2850 rpm 11 kW, 15 HP, 177 m³/h at 10m	80.50	1.00	74477	3096.27



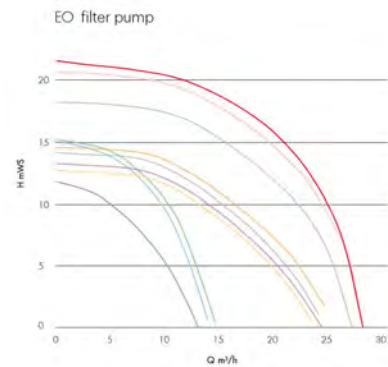
Smart EO swimming pool pump

EO series – the top product, the filter pump for all requirements, indoor and outdoor pools, natural pools and ponds, up to 130 m³
 Reliability for fresh and salt water (3%), best fabrication "made in Germany", delivered with 2 x 2" unions with solvent socket and 4 high-quality rubber-bonded metal buffer, IP55

QUIET	MADE IN AUSTRIA & GERMANY
3% SALT WATER RESISTANT	< 130 M³ POOLS

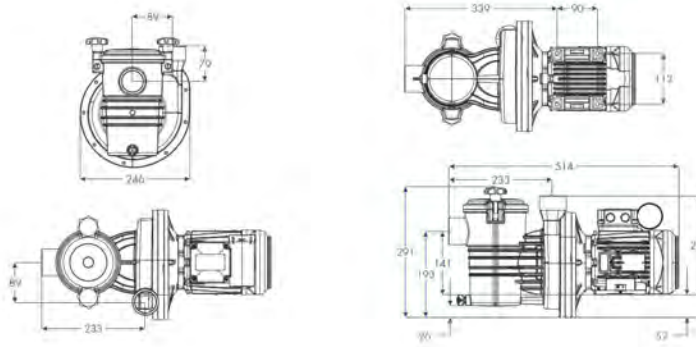
TECHNICAL DETAILS

Typ	Flow rate at 8 mWS	max. delivery height	Connection mm	Current voltage V	P2 kW	Pool size m ³
EO 8-1	8 m ³ /h	12 m	63	230	0,37	45
EO 11-1	11 m ³ /h	15 m	63	230	0,55	60
EO 11-3	11 m ³ /h	15 m	63	400	0,55	60
EO 15-1	15 m ³ /h	13 m	63	230	0,75	90
EO 15-3	16 m ³ /h	13 m	63	400	0,75	90
EO 19-1	18 m ³ /h	14 m	63	230	0,75	110
EO 19-3	19 m ³ /h	14 m	63	400	0,75	110
EO 23-3	23 m ³ /h	18 m	63	400	1,1	120
EO 26-3	26 m ³ /h	21 m	63	400	1,5	130



- EO PM
- EO 26-3
- EO 23-3
- EO 19-1
- EO 19-3
- EO 15-1
- EO 15-3
- EO 11-3
- EO 11-1
- EO 8-1

DIMENSIONS



Product	G-kg	PU	Prod.No.	Price €
Smart EO8 swimming pool pump, flow rate 8m ³ /h at 8 m water column, max. head 12 m, P2 motor power 0,37 kW, 230V, monophase, IP55, 2" connection, for pools up to 45 m ³	18.00	1.00	7300068	1118.32
Smart EO11-1 swimming pool pump, flow rate 11 m ³ /h at 8 m water column, max. head 15 m, P2 motor power 0,55 kW, 230V, monophase, IP55, 2" connection, for pools up to 60 m ³	18.00	1.00	7300069	1147.66
Smart EO11-3 swimming pool pump, flow rate 11 m ³ /h at 8 m water column, max head 15 m, P2 motor power 0,55 kW, 400V, 3-phase, IP55, 2" connection, for pools up to 60 m ³	18.00	1.00	7300070	1147.66
Smart EO15-1 swimming pool pump, flow rate 15 m ³ /h at 8 m water column, max. head 13 m, P2 motor power 0,75 kW, 230V, monophase, IP55, IE3 energy efficiency, 2" connection, for pools up to 90 m ³	18.00	1.00	7300071	1167.22
Smart EO15-3 swimming pool pump, flow rate 16 m ³ /h at 8 m water column, max. head 13 m, P2 motor power 0,75 kW, 400 V, 3-phase, IP55, IE3 energy efficiency, 2" connection, for pools up to 90 m ³	18.00	1.00	7300072	1167.22
Smart EO19-1 swimming pool pump, flow rate 18 m ³ /h at 8 m water column, max. head 14 m, P2 motor power 0,75 kW, 230V, monophase, IP55, IE3 energy efficiency, 2" connection, for pools up to 110 m ³	18.00	1.00	7300073	1199.83
Smart EO19-3 swimming pool pump, flow rate 19 m ³ /h at 8 m water column, max. head 14 m, P2 motor power 0,75 kW, 400V, 3-phase, IP55, IE3 energy efficiency, 2" connection, for pools up to 110 m ³	18.00	1.00	7300074	1199.83
Smart EO23-3 swimming pool pump, flow rate 23 m ³ /h at 8 m water column, max. head 18 m, P2 motor power 1,1 kW, 400V, 3-phase, IP55, IE3 energy efficiency, 2" connection, for pools up to 120 m ³	19.00	1.00	7300075	1219.39
Smart EO26-3 swimming pool pump, flow rate 26 m ³ /h at 8 m water column, max. head 21 m, P2 motor power 1,5 kW, 400V, 3-phase, IP55, IE3 energy efficiency, 2" connection, for pools up to 130 m ³	19.00	1.00	7300076	1219.39



**HIGH
FLOW RATE**

**FLANGE
CONNECTION**

**48-175 M³/H
at 10 m**

Smart Power filter pump

Self-priming

APPLICATION

Self-priming pump. High-volume self-priming pump available in 2 and 4 poles versions ideal for larger filter systems. Features large suction-side pre-filter which together with excellent hydraulic performance ensures extremely high filtration capacity. Filter with polycarbonate cover for easy viewing of pre-filter basket content. Features standard connection flanges which together with broad base make the system extremely robust. Turbine available in 2 versions, Noryl or marine bronze, as per request.

MATERIAL

Pre-filter, body, pump body, volute, countervolute and cover made of glass fibre-loaded polypropylene resistant to pool chemicals. Pre-filter basket in polyethylene. Polycarbonate pre-filter cover with four-pin closure system. Noryl impeller. Mechanical seal in ceramic carbon and AISI-316 stainless steel (also for use with sea water) Screws and shaft stainless steel AISI-316 Mechanical seal in ceramic carbon and AISI-316 stainless steel (also for use with sea water) Screws and shaft stainless steel AISI-316

MOTOR

Asynchronous motor with external ventilation. Protection grade IP-55. Class F insulation. Double frequency (50 and 60 Hz). Motor bearings greased for life to ensure long and silent operation.

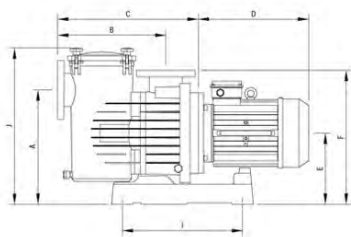
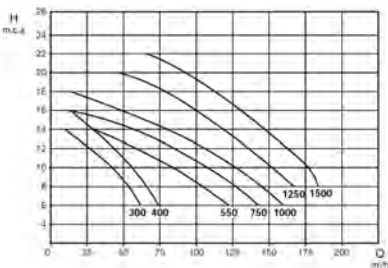
TECHNICAL DETAILS

Pump	P2 (kW)	P1 (kW)	Net Kg.	Gross Kg.
P300	2,2	2,72	40,5	42,5
P400	3	3,63	42,5	44,5
P550	4	4,75	51,4	53,4
P750	5,5	6,42	64	66
P1000	7,5	8,62	74	76
P1250	9,2	10,45	82,5	84,5
P1500	11	12,44	83,5	85,5

DIMENSIONS

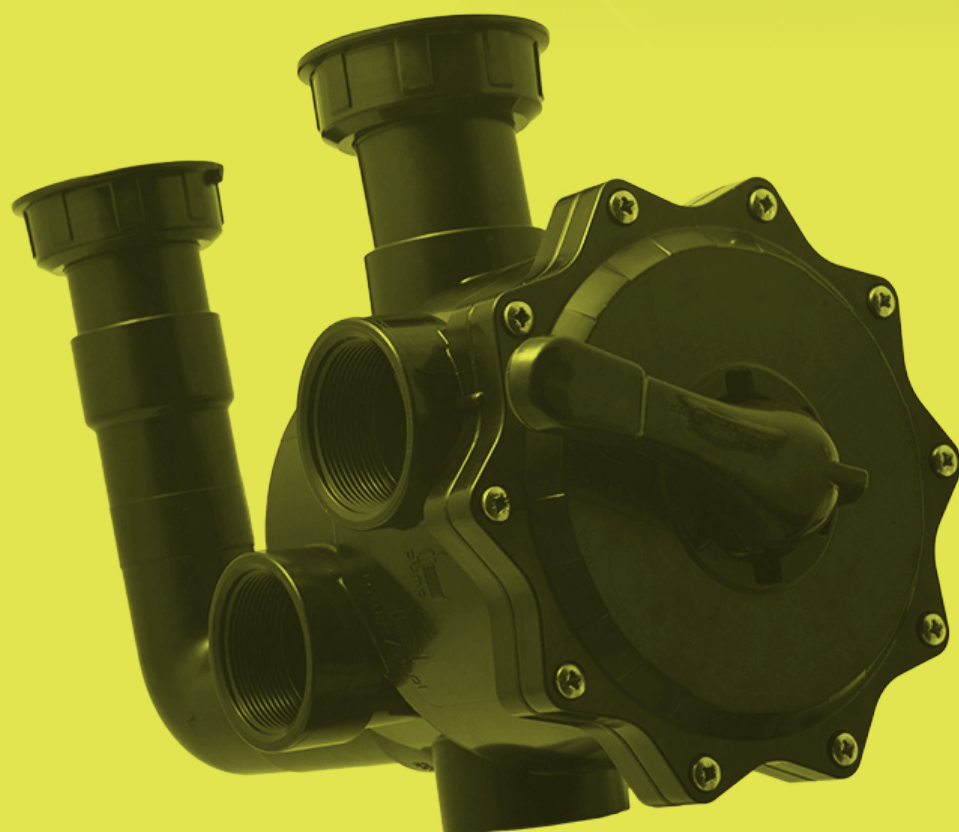
	A	B	C	D	E	F	G	H	I	J	K	A1	H1	L1
	packaging													
P300	423	410	525	310	265	500	335	300	450	590	370	385	595	840
P400	423	410	525	310	265	500	335	300	450	590	370	385	595	840
P550	423	410	525	335	265	500	335	300	450	590	370	385	715	1170
P750	423	410	525	380	265	500	335	300	450	590	370	385	715	1170
P1000	423	410	525	380	265	500	335	300	450	590	370	385	715	1170
P1250	423	410	525	380	265	500	335	300	450	590	370	385	715	1170
P1500	423	410	525	380	265	500	335	300	450	590	370	385	715	1170

Product	G-kg	PU	Prod.No.	Price €
Smart Power Filter Pump 300 230-400V, 1450 rpm, 2,2 kW, 3 HP, 43 m ³ /h at 10m	42.50	1.00	74464	1608.42
Smart Power Filter Pump 400 230-400V, 1450 rpm 3 kW, 4 HP, 56 m ³ /h at 10m	44.50	1.00	74465	1645.05
Smart Power Filter Pump 550 230-400V, 1450 rpm 4 kW, 5,5 HP, 84 m ³ /h at 10m	53.40	1.00	74466	1838.86
Smart Power Filter Pump 750 400-690V, 1450 U/min 5,5 kW, 7,5 HP, 107 m ³ /h at 10m	66.00	1.00	74467	2493.57
Smart Power Filter Pump 1000 400-690V, 1450 rpm 7,5 kW, 10 HP, 126 m ³ /h at 10m	76.00	1.00	74468	2563.29
Smart Power Filter Pump 1250 400-690V, 2850 rpm 9,2 kW, 12,5 HP, 177 m ³ /h at 10m	84.50	1.00	74469	3049.00
Smart Power Filter Pump 1500 400-690V, 2850 rpm 11 kW, 15 HP, 175 m ³ /h at 10m	85.50	1.00	74470	3086.82



NEW
Praher Plastics® Aquastar® Easy II

page 148



Praher Plastics®
7-position backwash valve V6 SM

page 160

BACKWASH VALVES MANUAL & AUTOMATIC

146 | Backwash valves automatic

160 | Backwash valves manual



SAFETY IS A MATTER OF COURSE FOR US

AQUASTAR[®]

A revolution in the global, automatic 7-position backwash valve industry represents the Aquastar Comfort Safety Pack.

Praher has been working for more than 45 years on the development & production of reliable, automatic 7-position backwash valves and is also known as "technological market leader" in the industry.

Compared to other backwash methods (eg piston valves, butterfly valves ..) the Aquastar series provides following technical and economical advantages:

EXPANDABLE WITH "SAFETY PACK"

no water loss through "Safety Pack" function, which is absolute reliability at e.g. electr. power failures.

DIRECT DRAIN

just through the valve and not, as in other backwash methods over the filter, and smooth changeover of positions due to pump shut-off.

SMART FEATURES

included control (time + pressure + filter pump control), manual override, optical position indicator, and much more.

EASY UPGRADE

suitable for all common filter brands by Praher V6 valve piping kit.



Awarded with the Golden Wave Innovation Price 2013.

safety pack



In case of power failure during operation the safety pack feature of the Aquastar® turns the unit after about three seconds through added battery pack. The valve will then automatically turn into the position "Filtration" (supported by an optical LED display for problem detection).

After five minutes, the power supply to the battery will be interrupted as well. After conventional power is available again the valve can be operated further in the normal way.

In normal operation this works independently of the position the valve is located, even during a position change process.

In case of power failure during manually switched circulating or drain mode (via membrane keypad) the desired procedure is continued by the battery function, so the valve will not be switched to "Filtration".

FEATURE OF ALL AQUASTAR® MODELS

	easy 1001	easy 4001	easy II	plc	comfort 3001	comfort 4001	comfort 6501
TIME SWITCH	+	+	+			+	
PRESSURE SWITCH		+	+			+	+
DIGITAL TIMER					+		+
Filter pump clock	optionally available						+
Manual override			+	+	+	+	+
IP65	+	+	+	+	+	+	+
actuator 24 V AC/DC, 100-240V AC (50-60Hz)	+	+	230 V AV	24 - 230V AC	+	+	+
Waste, filter, backwash, rinse	+	+	+	+	+	+	+
Circulate	+	+	+	+	+	+	+
Closed				+			
13/14 Opener/Closer Pump connection	+	+	+	+	+	+	+
Potential-free connection for ball valveEO510	+	+	+		+	+	+
1½", 2"	+	+	+	+	+	+	+
3"				+	+	+	+
Safety Pack 1½", 2" (optionally recommended)					+	+	+

MODIFICATION FROM A MANUAL TO A FULLY AUTOMATIC BACKWASH VALVE





Backwash valve AQUASTAR® mp6 plc

Excellent in combination with a PLC control, with ABS backwash valve (max. pressure 3.5 bar) or ASA-GF (max. pressure 5 bar) version available, for fully automatic and cost-efficient back wash of filter systems d500–d1050

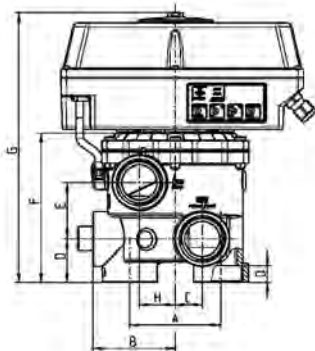
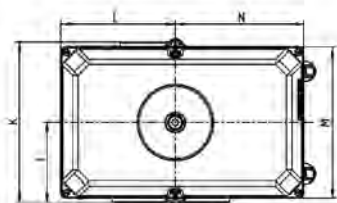
CHARACTERISTICS

With micro processor controlled lift-rotary drive for SPS controls, where positions driven by the DC signals of the SPS

- Integrated direct error handling
- Early error identification for maintenance
- Relays with gold contact for response
- Multi-grade voltage (100-240 VAC 50-60Hz/150-300VDC or 24V AC/DC)
- For dimensions 1½", 2" and 3"
- IP65 protection code
- Valve and electric head body UV resistant
- Position "circulation" can be applied with salt water chlorination
- Potential free clamps, for control of Praher EO510 electric valves
- Direct pump connection
- Retro-fit installation on all manual Praher Ocean® V6 side or top mount valves with new sealing system on all well-known filter brands possible
- 6 positions controllable with PLC control (f, r, k, n, z, g, e)
- Position indication on filter lid
- TGM test certificate

DIMENSIONS

	A	B	C	D	E	F	G	H	I	J	K	L	M	N	P
1½"	99,5	182	29,5	48	61,5	163,5	295	39	87,5	117	175	125	165	140	×
2"	110	228	38	60	81	210	339	36	114	117	228	125	165	140	62,5
3"	170	330	50	85,5	110	306	436	50	165	117	330	125	165	140	×



Product	G-kg	PU	Prod.No.	Price €
AquaStar mp6 plc SM10 AO 1 1/2" ABS white thread connection R 1 1/2" BSP MOP 3,5 bar NBR tpe 24 AC/DC	3.17	1.00	131390	1460.00
AquaStar mp6 plc SM20 AO 2" ABS white thread connection R 2" BSP MOP 3,5 bar NBR tpe 24 AC/DC	4.50	1.00	131391	1640.00
AquaStar mp6 plc SM10 AO 1 1/2" ABS white thread connection R 1 1/2" BSP MOP 3,5 bar NBR tpe 100-240 VAC	3.42	1.00	131392	1610.00
AquaStar mp6 plc SM20 AO 2" ABS white thread connection R 2" BSP MOP 3,5 bar NBR tpe 100-240 VAC	4.78	1.00	131393	1800.00
AquaStar mp6 plc SM11 AO 1 1/2" ASA-GF nature thread connection R 1 1/2" BSP MOP 5 bar NBR tpe 24 AC/DC	3.34	1.00	131394	1580.00
AquaStar mp6 plc SM21 AO 2" PPO-GF nature thread connection R 2" BSP MOP 5 bar NBR tpe 24 AC/DC	4.92	1.00	131395	1720.00
AquaStar mp6 plc SM31 AO 3" ASA-GF nature thread connection R 3" BSP MOP 5 bar NBR tpe 100-240 VAC	3.68	1.00	131396	1730.00
AquaStar mp6 plc SM11 AO 1 1/2" ASA-GF nature thread connection R 1 1/2" BSP MOP 5 bar NBR tpe 100-240 VAC	4.72	1.00	131397	1890.00
AquaStar mp6 plc SM21 AO 2" PPO-GF nature thread connection R 2" BSP MOP 5 bar NBR tpe 24 AC/DC	10.33	1.00	131398	2560.00
AquaStar mp6 plc SM31 AO 3" ASA-GF nature thread connection R 3" BSP MOP 5 bar NBR tpe 100-240 VAC	10.33	1.00	131399	2820.00

DESIGNED
ENGINEERED &
MADE IN AUSTRIA



EASY REMAINS EASY

AQUASTAR *easy II*

**EASY II – FOLLOWS
AQUASTAR® EASY**
WITH ADD. FUNCTIONAL EXPANSIONS

EXTERNAL CONTROL

Rinse and circulation mode release through connection to an external switch, SPS or home control

EASY ERROR-HANDLING

Reading out possible errors through multi-function relay. Doing so a control can spot every position.

PUMP MONITORING

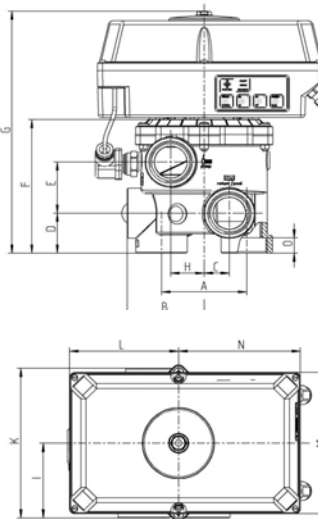
Easy II manages the backwash also when e.g. the pump is switched OFF or just switched off during the backwash cycle, so the backwashing is always guaranteed.



Available incl. 1.5" or 2" 7-position valve in black or without valve, other colors on request, pressure sensor can be ordered for retrofitting and delivered with order.



AquaStar® Easy II ohne Druckschalter, mit Ventil



Backwash valve AQUASTAR® easyII

for fully automatic and cost-effective backwashing of filtration systems. AQUASTAR easyII = time release via switch positions. AQUASTAR easyII incl. Pressure switch = time release by means of switch positions and pressure switch.

Our AQUASTAR easy 1001 and 4001 controllers have been further developed to provide important additional product benefits

- External backwash release and external circulation
- Error management provides messages to prevent equipment errors
- Multifunction relay
- Pump control
- Switch for the extension of the settling time
- Switch for switching to an OEM program
- Opt. position indication
- Emergency handle included
- 100 – 240 VAC

CERTAINLY YOU CAN RELY FURTHER ON FOLLOWING PRODUCT FEATURES :

- IP65 protection
- UV resistant
- The "circulate" position can be used eg. in conjunction with salt water chlorinators
- Potential-free terminals, for controlling Praher EO510 electrical fittings
- Easy adaptability on all known filter systems with 1 1/2" and 2" Praher Side Mount or Top Mount valve ABS 3.5 bar including Praher PVC & ABS piping and fittings for quick and easy installation

DIMENSIONS

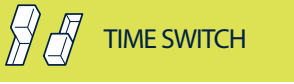
	A	B	C	D	E	F	G	H	I	K	L	M	N	O	P
1 1/2" SM	99,5	90	29,5	48	61,5	163,5	295	39	87,5	175	125	165	140	18,5	×
1 1/2" TM	×	×	31,5	47	59,5	160	291	41,5	90	180	125	165	140	18,5	62,5
2" TM	110	114	38	60	81	330	339	36	114	228	125	165	140	26	×



WITH PRESSURE SENSOR



Product	G-kg	PU	Prod.No.	Price €
Backwash valvel AQUASTAR® easyII				
AquaStar EasyII SM10 3 1 1/2" ABS black, BSP thread, Top+Bottom slip d50 MOP 3,5 bar NBR tpe, 100-240 VAC	3.62	1.00	131309A	1180.00
AquaStar EasyII SM10 AO 1 1/2" ABS black thread ends R 1 1/2" BSP, MOP 3,5 bar NBR tpe 100-240 VAC	3.44	1.00	131310A	1180.00
AquaStar EasyII SM20 3 2" ABS black BSP thread, Top+Bottom slip d63 MOP 3,5 bar NBR tpe, 100-240 VAC	4.45	1.00	131312A	1240.00
AquaStar EasyII SM20 AO 2" ABS black thread ends R 2" BSP, MOP 3,5 bar NBR tpe 100-240 VAC	4.54	1.00	131313A	1240.00
AquaStar EasyII for V6 ND 1 1/2" + 2" 100-240 VAC	2.12	1.00	131308A	1130.00
Backwash valve AQUASTAR® easyII with pressure sensor				
AquaStar EasyII with pressure sensor SM10 3 1 1/2" ABS black BSP thread, Top+Bottom slip d50 MOP 3,5 bar NBR tpe 100-240 VAC	3.63	1.00	131319A	1360.00
AquaStar EasyII with pressure sensor SM10 AO 1 1/2" ABS black, thread ends R 1 1/2" BSP MOP 3,5 bar NBR tpe 100-240 VAC	3.46	1.00	131320A	1360.00
AquaStar EasyII with pressure sensor SM20 3 2" ABS black, BSP thread, Top+Bottom slip d63 MOP 3,5 bar NBR tpe 100-240 VAC	4.46	1.00	131322A	1390.00
AquaStar EasyII with pressure sensor SM20 AO 2" ABS black, thread ends R 2" BSP MOP 3,5 bar NBR tpe 100-240 VAC	4.56	1.00	131323A	1390.00
AquaStar EasyII with pressure sensor for V6 ND 1 1/2" + 2" 100-240 VAC	2.14	1.00	131318A	1300.00
AquaStar EasyII with pressure sensor SM10 3 1 1/2" ABS white thread BSP, with Astral/IML/Certikin/Espa valve set, distance 125mm, MOP 3,5 bar NBR tpe	3.93	1.00	7300621	1380.00
AquaStar EasyII with pressure sensor SM10 3 1 1/2" ABS white thread BSP, with Hayward valve lset, distance 150mm, MOP 3,5 bar NBR tpe 100-240 VAC	5.14	1.00	7300622	1380.00
AquaStar EasyII with pressure sensor SM20 3 2" ABS white thread BSP, with Triton valve set, distance 190mm, MOP 3,5 bar NBR tpe 100-240 VAC	4.03	1.00	7300623	1423.00
AquaStar EasyII with pressure sensor SM20 3 2" ABS white thread BSP, with Astral/IML/Certikin/Espa valve set, distance 230mm, MOP 3,5 bar NBR tpe 100-240 VAC	8.02	1.00	7300624	1423.00
AquaStar EasyII with pressure sensor SM20 3 2" ABS white thread BSP, with Hayward valve set, distance 152mm, MOP 3,5 bar NBR tpe 100-240 VAC	4.89	1.00	7300625	1423.00



Available while stocks last
 Successor: AquaStar® Easy II

Backwash valve AQUASTAR® easy 4001 (1½", 2")

Time switch and pressure switch for backwash activation
 For fully automatic and cost-efficient backwash of filter systems d300-d600

CHARACTERISTICS

- IP65 protection
- UV-resistant valve and actuator body
- Electric actuator 12–34 V AC/DC, 100–240 V AC (50–60 Hz)
- Position „circulation“ can be used in combination with salt water chlorination
- Potential free clamps, for control of Praher EO510 electric valves
- Direct pump connection
- Easy adaptation onto all common filter brands with a 1 1/2" and 2" Ocean side mount or top mount valve ABS 3.5 bar incl. Praher PVC & ABS pipings and union for easy and quick installation
- Retrofitting onto all manual Praher Ocean V6 side or top mount valves with new sealing system possible (all common filter brands)

APPLICATION

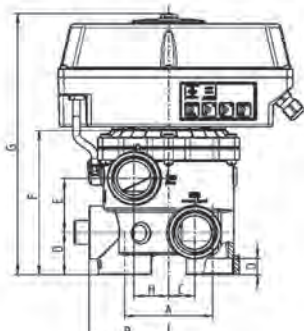
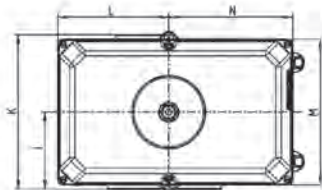
Swimming pool and spa industry, natual pools, aquaristics, water attractions (fountains)

DIMENSIONS

	A	B	C	D	E	F	G	H	I	K	L	M	N	O	P
1½" SM	99,5	90	29,5	48	61,5	163,5	295	39	87,5	175	125	165	140	18,5	×
1½" TM	×	×	31,5	47	59,5	160	291	41,5	90	180	125	165	140	18,5	62,5
2" TM	110	114	38	60	81	330	339	36	114	228	125	165	140	26	×



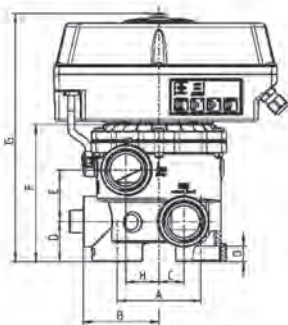
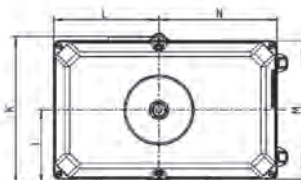
Product	G-kg	PU	Prod.No.	Price €
AquaStar Easy 4001-230 SM10 AO 1 1/2" ABS white thread connection R 1 1/2" BSP PN3,5 NBR tpe time switch + pressure switch 100-240 VAC	3.46	1.00	131320	1446.85
AquaStar Easy 4001-230 SM20 AO 2" ABS white thread connection R 2" BSP PN3,5 NBR tpe time switch + pressure switch 100-240 VAC	4.56	1.00	131323	1460.50
AquaStar Easy 4001-230 for Ocean V6 ND 1 1/2" + 2" 100-240 VAC, time switch + pressure switch	2.14	1.00	131318	1228.72



Personalized colours for lid and laser marking on request available



**INTEGRATED
DIGITAL TIMER**



Backwash valve AQUASTAR® comfort 3001 (1½", 2", 3")

Digital time control

For exclusive private and public pools, aqua parcs where no external PCL control is available, for fully automatic and cost efficient backwash of filter systems d400–d1050

CHARACTERISTICS

- Available for Praher Ocean V6 1½", 2" and 3" SM and TM
- 5 positions can be controlled with your own PLC control (filter / backwash / rinse / waste / Circulate)
- Optical position control on the actuator lid
- Manual override for all dimensions
- Potential free connections for EO510 electric ball valve and additional pump connection (2 pumps possible)
- IP65 protection
- Valve and actuator body UV-resistant
- Electronic actuator 12–34 V AC/DC, 100–240 V AC (50–60 Hz)
- Position „circulate“ can be used in combination with salt water chlorination
- Potential free clamps, for control of Praher EO510 electric valves
- Direct filter pump connection • Easy adaptation to all common filter brands with a 1½" and 2" Ocean side mount or top mount valve ABS 3:5 bar incl. Praher PVC & ABS pipings and unions for easy and quick installation
- Retrofitting onto all manual Praher Ocean V6 side or top mount valves with new sealing system possible (all common filter brands)

DIMENSIONS

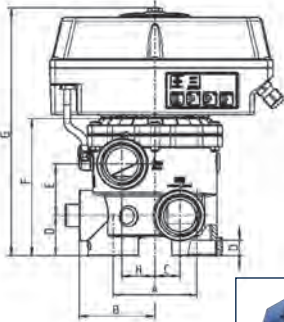
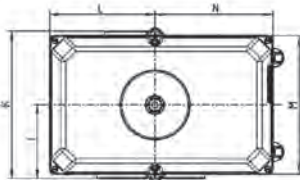
	A	B	C	D	E	F	G	H	I	J	K	L	M	N	O	P
1½" SM	99,5	90	29,5	48	61,5	163,5	295	39	87,5	117	175	125	165	140	18,5	×
1½" TM	×	×	31,5	47	59,5	160	291	41,5	90	117	228	125	165	140	26	×
2" SM	110	114	38	60	81	210	339	36	114	117	228	125	165	140	26	×
3" SM	170	165	50	85,5	110	306	436	50	165	114	114	330	125	165	35	×

Product	G-kg	PU	Prod.No.	Price €
Back wash valve AQUASTAR® comfort 3001 (1½", 2", 3") with valve				
AquaStar Comfort 3001-230 SM10 3 1 1/2" ABS white BSP thread, Top+Bottom slip d50 MOP 3,5 bar NBR tpe digital-timer 100-240 VAC	3.85	1.00	131227	1544.89
AquaStar Comfort 3001-230 SM20 3 2" ABS white BSP thread, Top+Bottom slip d63 MOP 3,5 bar NBR tpe digital-timer 100-240 VAC	4.68	1.00	131228	1575.91
AquaStar Comfort 3001-230 SM10 AO 1 1/2" ABS white thread ends R 1 1/2" BSP MOP 3,5 bar NBR tpe digital-timer 100-240 VAC	3.68	1.00	131223	1551.08
AquaStar Comfort 3001-230 SM20 AO 2" ABS white thread ends R 2" BSP MOP 3,5 bar NBR tpe digital-timer 100-240 VAC	4.78	1.00	131225	1594.51
AquaStar Comfort 3001-230 SM31 AO 3" ASA-GF nature thread ends R 3" BSP MOP 5 bar NBR EPDM digital-timer 100-240 VAC	9.81	1.00	131226	2610.80
Back wash valve AQUASTAR® comfort 3001 (1½", 2", 3") with valve set				
Aquastar Comfort 3001 Digital – Clock 100-240V AC incl. 1 1/2" Praher V6 valve with Astral/IML/Certikin/Espa valve set, distance 125mm white, manual override	5.06	1.00	7300138	1628.65
Aquastar Comfort 3001 Digital – Clock 100-240V AC incl. 1 1/2" Praher V6 valve with Hayward valve set, distance 150mm white, manual override	5.50	1.00	7300139	1628.65
Aquastar Comfort 3001 Digital – Clock 100-240V AC incl. 2" Praher V6 valve with Pentair Triton valve set, distance 190mm white, manual override	6.41	1.00	7300140	1674.10
Aquastar Comfort 3001 Digital – Clock 100-240V AC incl. 2" Praher V6 valve with Astral/IML/Certikin/Espa valve set, distance 230mm white, manual override	6.50	1.00	7300141	1674.10
Aquastar Comfort 3001 – Digital – Clock 100-240V AC incl. 2" Praher V6 valve with Hayward valve set, distance 152mm white, manual override	6.03	1.00	7300142	1674.10
Back wash valve AQUASTAR® comfort 3001 (1½", 2", 3") actuators				
AquaStar Comfort 3001-24 for V6 ND 1 1/2" + 2" 24V AC/DC, digital clock	2.26	1.00	131219	1358.75
AquaStar Comfort 3001-230 for V6 ND 1 1/2" + 2" 100-240 VAC, digital clock	2.36	1.00	131220	1490.28
AquaStar Comfort 3001-24 for V6 ND 3" 24V AC/DC	2.88	1.00	131221	1675.18
AquaStar Comfort 3001-230 for V6 ND 3" 100-240 VAC	2.41	1.00	131222	1809.19



INTEGRATED
DIGITAL TIMER

safety pack



Backwash valve AQUASTAR® comfort 3001 SafetyPack (1½", 2")

Digital time control

For exclusive private and public pools, aqua parcs where no external PCL control is available, for fully automatic and cost efficient backwash of filter systems d400–d900

CHARACTERISTICS

- Best possible safety guaranteed by the SafetyPack equipment and manual override
- No water loss during backwash procedure in case of power failure
- 5 positions incl. electr. and optical position indication
- Available for all common top and side mount filter systems in Europe/Asia/USA/Africa
- Price advantage in comparison with other backwash valve types (eg. cylinder valve • Butterfly valve systems)
- Electric actuator 12–34 V AC/DC, 100–240 V AC (50–60 Hz)
- Time and pressure controlled backwash activation
- Best flow rates and low pressure loss due to the Praher backwash valve ND
- Serial connection of several Aquastars possible
- Control by external PLC control possible
- Incl. potential free connections for EO510 electric ball valve control
- IP65 protection code for use in outdoor areas
- 12V 0:8 Ah accumulator, self-charging, maintenance free, with capacity up to 4 times power loss per hour
- Optical LED-display for problem detection



Awarded with the Golden Wave Innovation-price 2013.

DIMENSIONS

	A	B	C	D	E	F	G	H	I	J	K	L	M	N	O	P
1½" SM	99,5	90	29,5	48	61,5	163,5	295	39	87,5	117	175	125	165	140	18,5	×
1½" SM	×	×	31,5	47	59,5	160	291	41,5	90	117	228	125	165	140	26	×
2" SM	110	114	38	60	81	210	339	36	114	117	228	125	165	140	26	×

Product	G-kg	PU	Prod.No.	Price €
Back wash valve AQUASTAR® comfort 3001 SafetyPack (1½", 2") with valve				
AquaStar Comfort 3001-230 SM10 AO 1 1/2" ABS white thread connection R 1 1/2" BSP PN3,5 NBR tpe digital timer 100-240 VAC SafetyPack	4.10	1.00	131300	1960.05
AquaStar Comfort 3001-230 SM20 AO 2" ABS white thread connection R 2" BSP PN3,5 NBR tpe digital timer 100-240 VAC SafetyPack	5.20	1.00	131301	2011.24
Back wash valve AQUASTAR® comfort 3001 SafetyPack (1½", 2") actuators				
AquaStar Comfort 3001-24 for Ocean V6 ND 1 1/2" + 2" 24V AC/DC SafetyPack, digital timer	2.68	1.00	131288	1838.97
AquaStar Comfort 3001-230 for Ocean V6 ND 1 1/2" + 2" 100-240 VAC SafetyPack, digital timer	2.78	1.00	131289	1852.92



MAXIMUM SAFETY
WITH SAFETY PACK

In case of power failure during the operation of the AquaStar® the position 'Backwash' is activated automatically. This means that a malfunction during the backwash, such as the loss of the pool water, nearly is impossible.

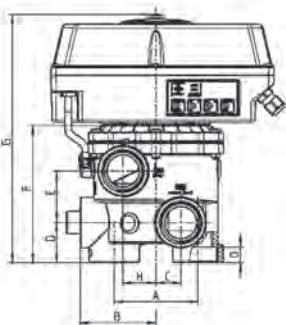
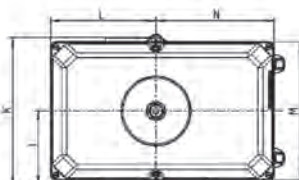
More Information on page 145



TIME SWITCH



PRESSURE SWITCH



Backwash valve AQUASTAR® comfort 4001 (1½", 2", 3")

Time switch & pressure switch for backwash activation

For exclusive private and public pools, aqua parcs where no external PCL control is available, for fully automatic and cost efficient backwash of filter systems d400-d1050

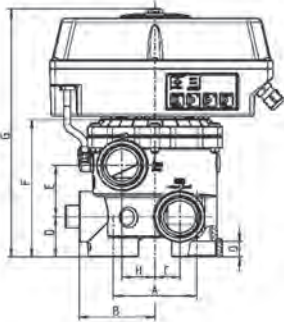
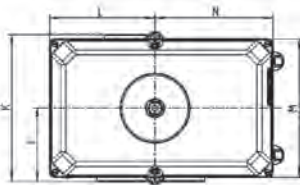
CHARACTERISTICS

- Available for Praher Ocean V6 1½", 2" and 3" SM and TM
- 5 positions can be controlled with your own PLC control (filter / backwash / rinse / waste / Circulate)
- Optical position control on the actuator lid
- Manual override for all dimensions
- Potential free connections for EO510 electric ball valve and additional pump connection (2 pumps possible)
- IP65 protection
- Valve and actuator body UV-resistant
- Electronic actuator 12-34 V AC/DC, 100-240 V AC (50-60 Hz)
- Position „circulate“ can be used in combination with salt water chlorination
- Potential free clamps, for control of Praher EO510 electric valves
- Direct pump connection
- Easy adaptation to all common filter brands with a 1½" and 2" Ocean side mount or top mount valve ABS 3,5 bar incl. Praher PVC & ABS pipings and unions for easy and quick installation
- Retrofitting onto all manual Praher Ocean V6 side or top mount valves with new sealing system possible (all common filter brands)

DIMENSIONS

	A	B	C	D	E	F	G	H	I	J	K	L	M	N	O	P
1½" SM	99,5	90	29,5	48	61,5	163,5	295	39	87,5	117	175	125	165	140	18,5	×
1½" TM	×	×	31,5	47	59,5	160	291	41,5	90	117	228	125	165	140	26	×
2" SM	110	114	38	60	81	210	339	36	114	117	228	125	165	140	26	×
3"SM	170	165	50	85,5	110	306	436	50	165	114	114	330	125	165	35	×

Product	G-kg	PU	Prod.No.	Price €
Back wash valve AQUASTAR® comfort 4001 (1½", 2", 3") with valve				
AquaStar Comfort 4001-230 SM10 3 1 1/2" ABS white thread BSP, Top+Bottom solvent d50 PN3,5 NBR tpe time switch + pressure-switch 100-240 VAC	3.83	1.00	131251	1527.51
AquaStar Comfort 4001-230 SM20 AO 2" ABS white thread connection R 2" BSP PN3,5 NBR tpe time switch + pressure switch 100-240 VAC	4.76	1.00	131249	1577.15
AquaStar Comfort 4001-230 SM11 AO 1 1/2" ASA-GF nature thread connection R 1 1/2" BSP PN5 NBR tpe time switch + pressure switch 100-240 VAC	3.80	1.00	131252	1574.67
AquaStar Comfort 4001-230 SM21 AO 2" ASA-GF nature thread connection R 2" BSP PN5 NBR EPDM time switch + pressure switch 100-240 VAC	4.84	1.00	131253	1600.73
AquaStar Comfort 4001-230 SM31 AO 3" ASA-GF nature thread connection 3" BSP PN5 NBR EPDM time switch + pressure switch 100-240 VAC	10.35	1.00	131250	2475.54
Back wash valve AQUASTAR® comfort 4001 (1½", 2", 3") with valve set				
Aquastar Comfort 4001 Time + Pressure 100-240V AC incl. 1 1/2" Praher V6 valve with Astral/IML/Certikin/Espa valve set, distance 125mm white, manual override	5.03	1.00	7300144	1603.91
Aquastar Comfort 4001 Time + Pressure 100-240V AC incl. 1 1/2" Praher V6 valve with Hayward valve set, distance 150mm white, manual override	5.48	1.00	7300145	1603.91
Aquastar Comfort 4001 Time + Pressure 100-240V AC incl. 2" Praher V6 valve with Pentair Triton valve set, distance 190mm white, manual override	6.39	1.00	7300146	1656.89
Aquastar Comfort 4001 Time + Pressure 100-240V AC incl. 2" Praher V6 valve with Astral/IML/Certikin/Espa valve set, distance 230mm white, manual override	6.48	1.00	7300147	1656.89
Aquastar Comfort 4001 Time + Pressure 100-240V AC Incl 2" Praher V6 valve with Hayward valve set, distance 152mm white, manual override	6.01	1.00	7300148	1656.89
Back wash valve AQUASTAR® comfort 4001 (1½", 2", 3") actuators				
AquaStar Comfort 4001-24 for Ocean V6 ND 1 1/2" + 2" 24V AC/DC, time switch + pressure switch	2.24	1.00	131244	1340.14
AquaStar Comfort 4001-230 for Ocean V6 ND 1 1/2" + 2" 100-240 VAC, time switch + pressure switch	2.34	1.00	131245	1476.65
AquaStar Comfort 4001-24 for Ocean V6 ND 3" 24V AC/DC, time switch + pressure switch	2.87	1.00	131246	1759.48
AquaStar Comfort 4001-230 for Ocean V6 ND 3" 100-240 VAC, time switch + pressure switch	2.96	1.00	131247	1793.05



MAXIMUM SAFETY WITH SAFETY PACK

In case of power failure during the operation of the AquaStar® the position 'Backwash' is activated automatically. This means that a malfunction during the backwash, such as the complete loss of the pool water, is impossible.

More Information on page 145

Backwash valve AQUASTAR® comfort 4001 SafetyPack (1½", 2")

Time switch & pressure switch for backwash activation
For exclusive private and public pools, aqua parcs where no external PCL control is available, for fully automatic and cost efficient backwash of filter systems d400–d900

CHARACTERISTICS

- Best possible safety guaranteed by the SafetyPack equipment and manual override
- No water loss during backwash procedure in case of power failure
- 5 positions incl. electr. and optical position indication
- Available for all common top and side mount filter systems in Europe/Asia/USA/Africa
- Price advantage in comparison with other backwash valve types (eg. cylinder valve, Butterfly valve systems)
- Electric actuator 12–34 V AC/DC, 100–240 V AC (50–60 Hz)
- Time and pressure controlled backwash activation
- Best flow rates and low pressure loss due to the Praher backwash valve ND
- Serial connection of several Aquastars possible
- Control by external PLC control possible
- Incl. potential free connections for EO510 electric ball valve control
- IP65 protection code for use in outdoor areas
- 12V 0:8 Ah accumulator, self-charging, maintenance free, with capacity up to 4 times power loss per hour
- Optical LED-display for problem detection



Awarded with the Golden Wave Innovation-price 2013.

DIMENSIONS

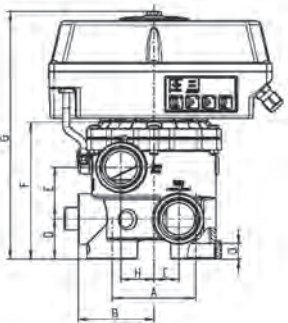
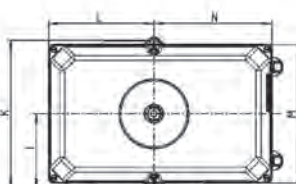
	A	B	C	D	E	F	G	H	I	J	K	L	M	N	O	P
1½" SM	99,5	90	29,5	48	61,5	163,5	295	39	87,5	117	175	125	165	140	18,5	×
1½" TM	×	×	31,5	47	59,5	160	291	41,5	90	117	228	125	165	140	26	×
2" SM	110	114	38	60	81	210	339	36	114	117	228	125	165	140	26	×

Product	G-kg	PU	Prod.No.	Price €
Back wash valve AQUASTAR® comfort 4001 SafetyPack (1½", 2") with valve				
AquaStar Comfort 4001-230 SM10 AO 1 1/2" ABS white thread connection R 1 1/2" BSP PN3,5 NBR tpe time switch + pressure switch 100-240 VAC SafetyPack	4.07	1.00	131302	1942.69
AquaStar Comfort 4001-230 SM20 AO 2" ABS white thread connection R 2" BSP PN3,5 NBR tpe time switch + pressure switch 100-240 VAC SafetyPack	5.17	1.00	131303	1993.89
Back wash valve AQUASTAR® comfort 4001 SafetyPack (1½", 2") actuators				
AquaStar Comfort 4001-24 for Ocean V6 ND 1 1/2" + 2" 24V AC/DC SafetyPack- time switch + pressure switch	2.66	1.00	131292	1824.09
AquaStar Comfort 4001-230 for Ocean V6 ND 1 1/2" + 2" 100-240 VAC SafetyPack, time switch + pressure switch	2.75	1.00	131293	1836.08



00:00 INTEGRATED DIGITAL TIMER

PRESSURE SWITCH



Backwash valve AQUASTAR® comfort 6501 (1½", 2", 3")

Digital time control, pressure control, filter pump control
For exclusive private and public pools, aqua parcs where no external PCL control is available, for fully automatic and cost efficient backwash of filter systems d400–d1050

CHARACTERISTICS

- Available for Praher Ocean V6 1½", 2" and 3" SM and TM
- 5 positions can be controlled with your own PLC control (filter / backwash / rinse / waste / Circulate)
- Optical position control on the actuator lid
- Manual override for all dimensions
- Potential free connections for EO510 electric ball valve and additional pump connection (2 pumps possible)
- IP65 protection
- Electronic actuator 12–34 V AC/DC, 100–240 V AC (50–60 Hz)
- Position „circulate“ can be used in combination with salt water chlorination
- Potential free clamps, for control of Praher EO510 electric valves
- Direct pump connection

DIMENSIONS

	A	B	C	D	E	F	G	H	I	J	K	L	M	N	O	P
1½" SM	99,5	90	29,5	48	61,5	163,5	295	39	87,5	117	175	125	165	140	18,5	×
1½" TM	×	×	31,5	47	59,5	160	291	41,5	90	117	228	125	165	140	26	×
2" SM	110	114	38	60	81	210	339	36	114	117	228	125	165	140	26	×
3" SM	170	165	50	85,5	110	306	436	50	165	114	114	330	125	165	35	×

Product	G-kg	PU	Prod.No.	Price €
Back wash valve AQUASTAR® comfort 6501 (1½", 2", 3") with valve				
AquaStar Comfort 6501-230 SM10 3 1 1/2" ABS white thread BSP, Top+Bottom solvent d50 PN3,5 NBR tpe time pump clock+pressure switch 100-240 VAC	3.87	1.00	131277	1752.12
AquaStar Comfort 6501-230 SM20 3 2" ABS white thread BSP, Top+Bottom solvent d63 PN3,5 NBR tpe time-pump clock+pressure switch 100-240 VAC	4.70	1.00	131279	1799.25
AquaStar Comfort 6501-230 SM10 AO 1 1/2" ABS white thread connection R 1 1/2" BSP PN3,5 NBR tpe time pump clock+pressure switch 100-240 VAC	3.69	1.00	131274	1759.55
AquaStar Comfort 6501-230 SM20 AO 2" ABS white thread connection R 2" BSP PN3,5 NBR tpe time-pump clock+pressure switch 100-240 VAC	4.79	1.00	131275	1801.75
AquaStar Comfort 6501-230 SM11 AO 1 1/2" ASA-GF nature thread connection R 1 1/2" BSP PN5 NBR tpe time pump clock+pressure switch 100-240 VAC	3.83	1.00	131278	1802.24
AquaStar Comfort 6501-230 SM31 AO 3" ASA-GF nature thread connection 3" BSP PN5 NBR EPDM time-pump clock+pressure switch 100-240 VAC	9.84	1.00	131276	2700.14
Back wash valve AQUASTAR® comfort 6501 (1½", 2", 3") with valve set				
Aquastar Comfort 6501 Digital – 2 channel clock + pressure 100-240V AC incl. 1 1/2" Praher V6 valve with Astral/IML/Certikin/Espa valve set, distance125mm white, manual override	5.07	1.00	7300150	1848.11
Aquastar Comfort 6501 Digital – 2 channel clock + pressure 100-240V AC incl. 1 1/2" Praher V6 valve with Hayward valve set, distance 150mm white, manual override	5.52	1.00	7300151	1848.11
Aquastar Comfort 6501 Digital – 2 channel clock + pressure 100-240V AC incl. 2" Praher V6 valve with Pentair Triton valve set, distance 190mm white, manual override	6.43	1.00	7300152	1893.11
Aquastar Comfort 6501 Digital – 2 channel clock + pressure 100-240V AC incl. 2" Praher V6 valve with Astral/IML/Certikin/Espa valve set, distance 230mm white, manual override	6.52	1.00	7300153	1893.11
Aquastar Comfort 6501 Digital – 2 channel clock + pressure 100-240V AC incl. 2" Praher V6 valv with Hayward valve set, distance152 mm white, manual override	6.05	1.00	7300154	1893.11
Back wash valve AQUASTAR® comfort 6501 (1½", 2", 3") actuators				
AquaStar Comfort 6501-24 for Ocean V6 ND 1 1/2" + 2" 24V AC/DC, time-pump clock + pressure switch	2.28	1.00	131270	1568.46
AquaStar Comfort 6501-230 for Ocean V6 ND 1 1/2" + 2" 100-240 VAC- time-pump clock + pressure switch	2.38	1.00	131271	1701.24
AquaStar Comfort 6501-24 for Ocean V6 ND 3" 24V AC/DC, time-pump clock + pressure switch	2.90	1.00	131272	2037.09
AquaStar Comfort 6501-230 for Ocean V6 ND 3" 100-240 VAC, time-pump clock + pressure switch	2.90	1.00	131273	2016.41

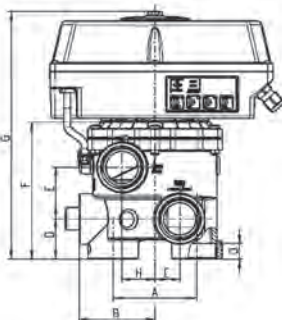
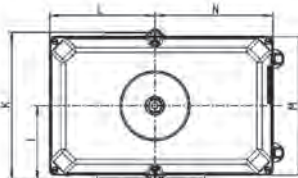


**INTEGRATED
DIGITAL TIMER**



PRESSURE SWITCH

safety pack



**MAXIMUM SAFETY
WITH SAFETY PACK**

In case of power failure during the operation of the AquaStar® the position 'Backwash' is activated automatically. This means that a malfunction during the backwash, such as the complete loss of the pool water, is impossible.

More Information on page 145

Backwash valve AQUASTAR® comfort 6501 SafetyPack (1½", 2")

Digital time control, pressure control, filter pump control

For exclusive private and public pools, aqua parcs where no external PCL control is available, for fully automatic and cost efficient backwash of filter systems d400–d900

CHARACTERISTICS

- Best possible safety guaranteed by the SafetyPack equipment and manual override
- No water loss during backwash procedure in case of power failure
- 5 positions incl. electr. and optical position indication
- Available for all common top and side mount filter systems in Europe/Asia/USA/Africa
- Price advantage in comparison with other backwash valve types (eg. cylinder valve, butterfly valve systems)
- Electric actuator 12–34 V AC/DC, 100–240 V AC (50–60 Hz)
- Time and pressure controlled backwash activation
- Best flow rates and low pressure loss due to the Praher backwash valve ND
- Serial connection of several Aquastars possible
- Control by external PLC control possible
- Incl. potential free connections for EO510 electric ball valve control
- IP65 protection code for use in outdoor areas
- 12V 0.8 Ah accumulator, self-charging, maintenance free, with capacity up to 4 times power loss per hour
- Optical LED-display for problem detection



Awarded with the Golden Wave Innovation-price 2013.

DIMENSIONS

	A	B	C	D	E	F	G	H	I	J	K	L	M	N	O	P
1½" SM	99,5	90	29,5	48	61,5	163,5	295	39	87,5	117	175	125	165	140	18,5	×
1½" TM	×	×	31,5	47	59,5	160	291	41,5	90	117	228	125	165	140	26	×
2" SM	110	114	38	60	81	210	339	36	114	117	228	125	165	140	26	×

Produkt	B-kg	VE	Art.-Nr.	Preis €
Back wash valve AQUASTAR® comfort 6501 SafetyPack (1½", 2") with valve				
AquaStar Comfort 6501-230 SM10 AO 1 1/2" ABS white thread connection R 1 1/2" BSP PN3,5 NBR tpe time pump clock+pressure switch 100-240 VAC SafetyPack	4.10	1.00	131304	2192.87
AquaStar Comfort 6501-230 SM20 AO 2" ABS white thread connection R 2" BSP PN3,5 NBR tpe time-pump clock+pressure switch 100-240 VAC SafetyPack	5.20	1.00	131305	2244.07
Back wash valve AQUASTAR® comfort 6501 SafetyPack (1½", 2") actuators				
AquaStar Comfort 6501-24 for Ocean V6 ND 1 1/2" + 2" 24V AC/DC SafetyPack, time-pump clock + pressure switch	2.70	1.00	131298	2043.71
AquaStar Comfort 6501-230 for Ocean V6 ND 1 1/2" + 2" 100-240 VAC SafetyPack, time-pump clock + pressure switch	2.79	1.00	131299	2122.28



Loxone AQUASTAR® Air (1 1/2", 2")

FEATURES

- AquaStar 6-way back wash valve for automatic filter, back wash, rinse, circulation, draining and closed/winter
- IP65 protection code
- El. actuator 100 - 240V AC
- Direct connection for 2- or 3-way ball valve EO510 (for instance: draining system)
- Retrofit for all well-known filter brands possible with the 1½" and 2" Praher side mount or top mount valve, incl. . Praher ABS piping and union systems for a quick and easy installation
- Optional with Peraqua polyester sand filter systems Vienna, Salzburg or Innsbruck (D400 - D1050)
- Installation of AquaStar SafetyPack possible (available separately)
- Free visualisation with Loxone Miniserver via iPhone, iPad und Android
- Free updates via Loxone Miniserver

INTERFACES

- 1 wire connection for installation of 1-wire temperature sensors
- 1 analogue input 0.5 - 5V (for example for pressure sensors)
- 1 analogue input 0 - 10V (for example for pressure sensors)
- 3 relais 250VAC 5A freely definable
- Loxone Air technology for wireless connection to the Loxone Miniserver
- Direct pump connection (250V AC, 8A)

EXPANSION OPTIONS

With the connection of the AquaStar Air to the Loxone Smart Home system, in combination with the Loxone Miniserver there are many options:

- Integration of jet swim systems
- Integration of the pool lighting system
- Control and integration of the outdoor illumination system
- Control of your home your total home automation (shading, alarm, energy, music, and many more)
- Numerous functions for energy saving (for example control of pool pump in combination with photovoltaic systems)

TECHNICAL REQUIREMENTS FOR THE LOXONE AQUASTAR AIR



Controlable with Loxone Miniserver and mobile device.
More information in chapter Controls.

Product	G-kg	PU	Prod.No.	Price €
Loxone AQUASTAR Air SM10 1 1/2" ABS black BSP thread, Top+Bottom slip PN3,5 NBR tpe 100-240 VAC	4.20	1.00	131372	2421.21
Loxone AQUASTAR Air SM20 2" ABS black BSP thread, Top+Bottom slip PN3,5 NBR tpe 100-240 VAC	5.39	1.00	131373	2594.16



Sight glass S4



Union 1 1/2, 2, 3"



Union extra long 1 1/2, 3"



Union PVCu solvent socket



Plug for backwash valve



Plug with O-ring



blue Aquastar® adapter for Praher V6 valve "old sealing" system



Aquastar® spare parts set SafetyPack

Accessories

Product	G-kg	PU	Prod.No.	Price €
Sight glass types				
PVC sight glass transparent DN40/d50	0.39	1.00	7300321	35.15
PVC sight glass transparent DN50/d63	0.97	1.00	7300322	43.25
PVC sight glass transparent DN65/d75	0.00	1.00	7300323	112.59
Sight Glass S4 DN80 PVC transparent PVCu solvent socket d90 metric PN16 EPDM	4.01	1.00	123256	139.62
Union 1 1/2", 2", 3"				
Union Ocean PVC grey solvent socket d/ male thread d50-1 1/2" BSP EPDM	0.13	75.00	170396	5.89
Union Ocean PVC white solvent socket d/ male thread d50-1 1/2" BSP EPDM	0.13	75.00	170380	7.38
Union Ocean PVC black solvent socket d/ male thread d50-1 1/2" BSP EPDM	0.19	75.00	170355	5.89
Union extra long 1 1/2", 3"				
Union Ocean extra long PVC white solvent socket d/ male thread 50 - 1 1/2" EPDM	0.23	50.00	170300	16.07
Union Ocean extra long PVC grey solvent socket d/ male thread d90-3" BSP EPDM	1.76	5.00	170185	79.04
Union PVCu solvent socket				
Union Ocean PVC grey PVCu solvent socket d50 metric EPDM	0.10	75.00	170397	4.80
Union Ocean PVC white PVCu solvent socket d50 metric EPDM	0.10	75.00	170381	5.35
Union Ocean PVC black PVCu solvent socket d50	0.10	75.00	170354	4.80
Union Ocean PVC grey PVCu solvent socket d63 metric EPDM	0.18	40.00	170403	6.03
Union Ocean PVC white PVCu solvent socket d63 metric EPDM	0.22	40.00	170387	6.56
Union Ocean PVC grey PVCu solvent socket d90 metric EPDM	1.11	10.00	170082	27.94
Plug for back wash valve				
Plug for backwash valve 1 1/2" ABS weiss Klebe d50 metrisch	0.02	10.00	100206	1.73
Plug for backwash valve 2" ABS white Klebe d63 metric	0.03	10.00	100232	2.22
Plug for backwash valve 3" ABS white solvent d90 metric	0.15	10.00	140539	4.25
Plug for backwash valve 1 1/2" ABS white solvent 1 1/2" ASTM	0.02	10.00	100362	1.73
Plug for backwash valve 2" ABS white solvent d 2" ASTM	0.03	10.00	100233	2.22
Plug for backwash valve 3" ABS white solvent d 3" ASTM	0.20	10.00	140061	4.25
Plug for back wash valve with O-ring				
Plug for backwash valve with O-ring 1 1/2" ABS white male thread R 1 1/2" BSP EPDM	0.03	100.00	100224	3.41
Plug for backwash valve with O-ring 2" ABS white male thread R 2" BSP EPDM	0.05	10.00	100229	4.25
Plug for backwash valve with O-ring 3" ABS white male thread R 3" BSP	0.13	10.00	140063	6.72
Plug for backwash valve with O-ring 1 1/2" ASA-GF nature male thread R 1 1/2" BSP EPDM	0.03	10.00	100403	5.06
Plug for backwash valve with O-ring 2" ASA-GF nature male thread R 2" BSP EPDM	0.06	10.00	100416	5.97
Plug for backwash valve with O-ring 3" ASA-GF nature male thread R 3" BSP	0.14	10.00	140024	11.74
AQUASTAR® Adapter				
Adapter for Aquastar	0.00	1.00	102026	6.19
Spare parts set AQUASTAR® Safety Pack				
Spare parts kit for Aquastar SafetyPack	0.42	1.00	131285	470.29



MANUAL BACKWASH VALVES

MILLIONS HAVE TRIED AND TRUST

Praher backwash valves are trouble-free applied in a wide range of climatic and technical conditions world-wide

INNOVATIVE HOUSING SEALING SYSTEM

More than 45 years of experience in development and production in Austria guarantee maximum precision and clever solutions.

100% ABS HIGH-TECH MATERIAL

We are so confident in our products that we offer a 10-years spare part delivery and a 10-years guarantee on housing breakage.

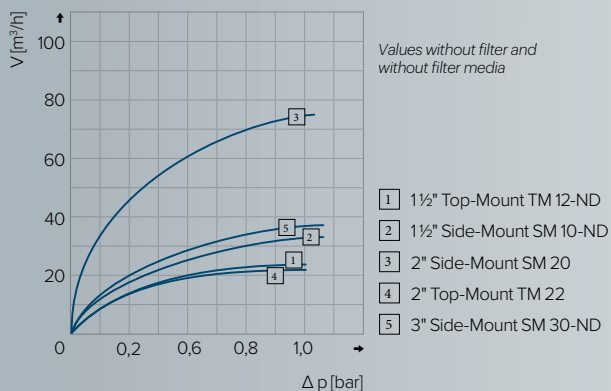
SUITABLE FOR EVERY POOLFILTER

Valves in white and black as well as multi-lingual and individual laser marking offer individuality in every technical room and for every common filter brand.

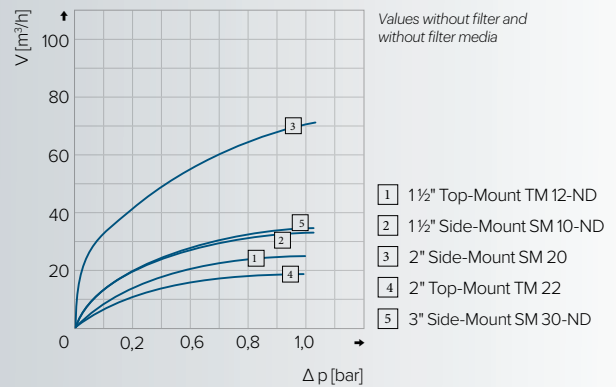
UNBEATABLE BACKWASH VALVES

OPTIMUM FLOW AND PRESSURE LOSS VALUES

PRESSURE LOSS AT POSITION 'FILTER'



PRESSURE LOSS AT POSITION 'BACKWASH'





3,5 BAR	ABS HOUSING
1½" CONNECTION	



7-position backwash valve V6 side mount 1½" ABS

Available in ABS (3.5 bar), in various colours and connections. Optional with or without piping sets for all well-known filter brands.

APPLICATION

Swimming pool, natural pool, aquaristic, fish ponds and water attractions (fountains) up to temperature of +40°C

Product	G-kg	PU	Prod.No.	Price €
WITHOUT PIPING SET				
Back wash valve V6 ND SM10 3 1 1/2" ABS white thread ends R 1 1/2" BSP MOP 3,5 bar NBR tpe single packed Praher-label	2.45	1.00	130751	52.00
Back wash valve V6 ND SM10 3 1 1/2" ABS black thread ends R 1 1/2" BSP MOP 3,5 bar NBR tpe loose packed Praher-label	1.38	25.00	130821	52.00
Back wash valve V6 ND SM10 AO 1 1/2" ABS white thread ends R 1 1/2" BSP MOP 3,5 bar NBR tpe single packed Praher-label	2.26	1.00	130753	58.00
Back wash valve V6 ND SM10 3 1 1/2" ABS white solvent socket d50 metric MOP 3,5 bar NBR tpe single packed Praher-label	1.34	1.00	131350	52.00
Back wash valve V6 ND SM10 3 1 1/2" ABS white BSP thread, Top+Bottom slip d50 metric MOP 3,5 bar NBR tpe single packed Praher-label	2.43	1.00	130762	52.00
Back wash valve V6 ND SM10 3 1 1/2" ABS black BSP thread, Top+Bottom slip d50 metric MOP 3,5 bar NBR tpe single packed Praher-label	2.43	1.00	130820	52.00
Back wash valve V6 ND SM10 3 1 1/2" ABS white slip, return-waste=thread, d50 metric MOP 3,5 bar NBR tpe single packed Praher-label	1.45	1.00	130862	52.00
Back wash valve V6 ND SM10 3 1 1/2" ABS black slip, return-waste=thread, d50 metric MOP 3,5 bar NBR tpe single packed Praher-label	1.36	1.00	130797	52.00
WITH PIPING SET				
Back wash valve V6 ND SM10 3 1 1/2" ABS white BSP thread, Top+Bottom slip d50 metric MOP 3,5 bar NBR tpe incl. pipe-system single packed Praher-label	1.88	1.00	131082	105.00
Back wash valve V6 ND SM10 3 1 1/2" ABS white BSP thread, Top+Bottom slip d50 metric MOP 3,5 bar NBR tpe incl. pipe-system single packed Praher-label incl. piping set CERT	2.73	1.00	131042	105.00
UNION 1 1/2"				
Union ocean PVC grey solvent socket-male thread 50-1 1/2" BSP EPDM	0.13	75.00	170396	5.89
Union ocean PVC white solvent socket-male thread 50-1 1/2" BSP EPDM	0.13	75.00	170380	7.38
Union ocean PVC black solvent socket-male thread 50-1 1/2" BSP EPDM	0.19	75.00	170355	5.89
SIGHT GLASS				
PVC sight glass transparent DN40/d50	0.39	1.00	7300321	35.15



black version with piping on request



NOTE

Valves with piping for common filter brands in chapter Spare Parts on page 426



Valve Piping set ASTRAL, ESPA, CERTIKIN, IML, PROCOPI d50 1 1/2"

Product	G-kg	PU	Prod.No.	Price €
Pipe-system for back wash valve with union-nut 1 1/2" PVC white d50 loose packed	0.57	50.00	170151	23.78
Pipe-system for back wash valve with flange 1 1/2" ABS black d50	0.57	50.00	170353	23.78



Valve piping set HAYWARD d50 1 1/2"

Product	G-kg	PU	Prod.No.	Price €
Pipe-system for back wash valve with union-nut 1 1/2" PVC white d50	0.66	50.00	170158	23.78
Pipe-system for back wash valve with union-nut 1 1/2" PVC black d50	0.63	50.00	170261	23.78



Valve piping set for backwash valve "INF"

Product	G-kg	PU	Prod.No.	Price €
Pipe-system for back wash valve "INF" 1 1/2" ABS black d50	0.67	50.00	170884	21.52



Pipe elbow d50, 245 x 158 mm

Product	G-kg	PU	Prod.No.	Price €
Pipe elbow D50 PVC white 245 x 158 mm	0.33	100.00	150064	8.90
Pipe elbow D50 PVC grey 245 x 158 mm	0.31	50.00	150063	8.90
Pipe elbow D50 PVC black 245 x 158 mm	0.31	95.00	150067	8.90



Connection piece d50, 122 mm

Product	G-kg	PU	Prod.No.	Price €
Connection for pipe-system d50 PVC white 122mm	0.10	50.00	150108	7.60
Connection for pipe-system d50 PVC grey 122mm	0.10	50.00	150126	7.60
Connection for pipe-system d50 PVC black 122mm	0.10	50.00	150113	7.60



7-position backwash valve V6 side mount 1 1/2" ASA GF

available in ASA-GF version (6bar)

CHARACTERISTICS

- Easy handling
- Multi-lingual non-smudging laser printing
- Optimal flow and pressure loss rates
- Extreme low-noise operation
- Made of high quality UV resistant and impact resistant ASA-GF
- High durable sealing material and pressure springs installed on the valve plate
- Pressure tightness and operation tests according to DIN 3230
- Easy installation on the AQUASTAR® automatic backwash valve actuator
- Additional „winter position“ for release for the sealing system

APPLICATION

For swimming pools, sauna and spas, made for higher operation pressures and temperatures up to 50 °C

6 BAR	ASAGF HOUSING
-----------------	-------------------------

1 1/2" CONNECTION



Product	G-kg	PU	Prod.No.	Price €
Back wash valve V6 ND SM11 AO 1 1/2" ASA-GF nature thread ends R 1 1/2" BSP MOP 6 bar NBR tpe single packed Praher-label	2.40	1.00	130860	101.51
Back wash valve V6 SM11 AO 1 1/2" PPO-GF natur thread ends R 1 1/2" BSP PN6 NBR tpe Praher-label, 2 plugs	2.40	1.00	130100	101.51



7-position backwash valve V6 top mount 1 1/2" ABS

Available in ABS and with various connections for all common filter brands.

APPLICATION

For swimming pools, natural pools, aquaristics, fish farms, water accessories (fountains) with temperatures up to +40 °C.

3,5 BAR	ABS HOUSING
-------------------	-----------------------

1 1/2" CONNECTION



Product	G-kg	PU	Prod.No.	Price €
VALVES				
Back wash valve V6 ND TM12 B-Flange, 6" BUTTRESS 1 1/2" ABS white thread ends R 1 1/2" BSP / d50 MOP 3,5 bar NBR tpe single packed Praher-label	1.76	1.00	130826	64.54
Back wash valve V6 ND TM12 S-Flange 1 1/2" ABS black thread ends R 1 1/2" BSP / d50 MOP 3,5 bar NBR tpe loose packed Praher-label	1.63	18.00	130810	95.00
Back wash valve V6 TM12 E-Flange 1 1/2" ABS white thread ends R 1 1/2" BSP / d50 MOP 3,5 bar EPDM tpe single packed Praher-label	2.11	1.00	130051A	95.00
Back wash valve V6 ND TM12 AS-Flange 1 1/2" ABS black thread ends R 1 1/2" BSP / d50 MOP 3,5 bar NBR tpe single packed Praher-label	1.69	1.00	130960	95.00
Back wash valve V6 TM12 T-Flange 1 1/2" ABS white thread ends R 1 1/2" BSP / d50 MOP 3,5 bar NBR single packed Praher-label	2.40	1.00	130710	95.00
Back wash valve V6 TM12 H8-Flange 1 1/2" ABS black thread ends R 1 1/2" NPT / d48,4 MOP 3,5 bar EPDM tpe	2.00	1.00	71714	95.00
CLAMP RINGS				
Clamp ring for back wash valve TM12 S-Flange 1 1/2" ASA-GF black incl. screws and nuts	0.15	100.00	170362	11.42
Clamp ring for back wash valve TM12 T-Flange incl. screws and nuts and O-ring 183,52 X 6,99	0.30	50.00	50194	13.40
Clamp ring for back wash valve TM12 SF-Flange 1 1/2" PP-GFR black -Pentair- Incl. Screws and nuts	0.19	100.00	870035	10.68
UNION 1 1/2"				
Union ocean PVC grey solvent socket-male thread 50-1 1/2" BSP EPDM	0.13	75.00	170396	5.89
Union ocean PVC white solvent socket-male thread 50-1 1/2" BSP EPDM	0.13	75.00	170380	7.38
Union ocean PVC black solvent socket-male thread 50-1 1/2" BSP EPDM	0.19	75.00	170355	5.89
SIGHT GLASS				
PVC sight glass transparent DN40/d50	0.39	1.00	7300321	35.15



3,5 BAR	ABS HOUSING
2" CONNECTION	



7-position backwash valve V6 side mount 2" ABS

available in ABS in various connections.

CHARACTERISTICS

For swimming pools, natural pools, aquaristics, fish farms, water accessories (fountains) with temperatures up to +40 °C.

Product	G-kg	PU	Prod.No.	Price €
WITHOUT PIPING SET				
Back wash valve V6 ND SM20 3 2" ABS white thread ends R 2" BSP MOP 3,5 bar NBR tpe single packed Praher-label	3.37	1.00	131029	102.00
Back wash valve V6 ND SM20 3 2" ABS black thread ends R 2" BSP MOP 3,5 bar NBR tpe single packed Praher-label	2.41	1.00	131131	102.00
Back wash valve V6 ND SM20 AO 2" ABS white thread ends R 2" BSP MOP 3,5 bar NBR tpe single packed Praher-label	3.45	1.00	131040	115.00
Back wash valve V6 ND SM20 3 2" ABS white solvent d63 metric, PN3,5 NBR tpe Praher-label German/English/Turkish	2.40	1.00	131351	102.00
Back wash valve V6 ND SM20 3 2" ABS white BSP thread, Top+Bottom slip d63 metric MOP 3,5 bar NBR tpe single packed Praher-label	3.36	1.00	131150	102.00
Back wash valve V6 ND SM20 3 2" ABS black BSP thread, Top+Bottom slip d63 metric MOP 3,5 bar NBR tpe single packed - neutral label	2.50	1.00	131063	102.00
Back wash valve V6 ND SM20 3 2" ABS white slip, returnwaste=thread, 63mm metric MOP 3,5 bar NBR tpe single packed - neutral label	2.40	1.00	131192	102.00
GLUED PIPING SET				
Back wash valve V6 ND SM20 3 2" ABS white BSP thread, Top+Bottom slip d63 metric MOP 3,5 bar NBR tpe incl. MMC pipe-system single packed Praher-label	3.31	1.00	131152	156.00
Back wash valve V6 ND SM20 3 2" ABS white BSP thread, Top+Bottom slip d 2" ASTM MOP 3,5 bar NBR tpe incl. PENT pipe-system glued Praher-label incl. piping set PENT	4.05	1.00	131047	156.00
Back wash valve V6 ND SM20 3 2" ABS white BSP thread, Top+Bottom slip d63 metric MOP 3,5 bar NBR tpe single packed Praher-label	3.22	1.00	131193	156.00
UNION 2"				
Union ocean PVC grey solvent socket-male thread 63-2" BSP EPDM	0.23	40.00	170402	7.49
Union ocean PVC white solvent socket-male thread 63-2" BSP EPDM	0.23	40.00	170386	8.86
SIGHT GLASS				
PVC sight glass transparent DN50/d63	0.97	1.00	7300322	43.25



black version with piping on request



NOTE

Valves with piping for common filter brands in chapter Spare Parts on page 426



Valve piping set ASTRAL, ESPA, CERTIKIN, IML d63 2"

Product	G-kg	PU	Prod.No.	Price €
Valve piping set ASTRAL for backwash valve with union nut 2" PVC weiss d63	0.60	40.00	170856	36.74
Pipe-system for back wash valve with union-nut 2" ABS black d63	0.53	40.00	170855	36.74



Valve piping HAYWARD

Product	G-kg	PU	Prod.No.	Price €
Pipe-system for back wash valve with union-nut 2" ABS black d63	0.36	50.00	170208	46.40



Valve piping set for backwash valvel "INF" 2"

Product	G-kg	PU	Prod.No.	Price €
Pipe-system for back wash valve "INF" 2" ABS black d63	0.45	25.00	170885	36.74



Pipe elbow d63 215 x 163 mm

Product	G-kg	PU	Prod.No.	Price €
Rohrbogen D63 PVC white 215 x 163 mm	0.47	70.00	150231	19.20
Pipe elbow D63 PVC grey 215 x 163 mm	0.44	70.00	150252	19.20
Pipe elbow D63 PVC black 215 x 163 mm	0.44	60.00	150211	19.20



Connection piece d 63, 73 mm

optional in black and grey

Product	G-kg	PU	Prod.No.	Price €
Connection for pipe-system d63 PVC white 73mm	0.09	100.00	150232	9.47
Connection for pipe-system d63 PVC grey 73mm	0.09	50.00	150251	9.47
Connection for pipe-system d63 PVC black 73mm	0.09	50.00	150212	9.47



6
BAR

ASAGF
HOUSING

2"
CONNECTION

7-position backwash valves V6 side mount 2" ASA GF

available in ASA-GF version (6 bar)

APPLICATION

Swimming pools, sauna and spa, made for higher operation pressures and temperatures up to +50°C.

Product	G-kg	PU	Prod.No.	Price €
Back wash valve V6 ND SM21 AO 2" ASA-GF nature thread ends R 2" BSP MOP 6 bar NBR tpe single packed Praher-label	2.77	1.00	131326	149.88



3,5
BAR

ABS
HOUSING

2"
CONNECTION

7-position backwash valve V6 top mount 2" ABS

available in ABS and with varous and connections.

APPLICATION

For swimming pools, natural pools, aquaristics, fish farms, water accessories (fountains) with temperatures up to +40 °C.

Product	G-kg	PU	Prod.No.	Price €
VALVES				
Back wash valve V6 TM22 B-Flansch, 7 1/16" BUTRESS 2" ABS black thread ends R 2" BSP / d60,325 MOP 3,5 bar NBR EPDM loose packed Praher-label	4.04	7.00	130489	125.00
Back wash valve V6 TM22 E-Flange 2" ABS white thread ends R 2" BSP / d63 MOP 3,5 bar NBR tpe single packed Praher-label	4.02	1.00	130965	125.00
Back wash valve V6 TM22 H-Flange LK=212 2" ABS white thread ends R 2" BSP / d60,325 MOP 3,5 bar NBR tpe single packed Praher-label	3.15	1.00	130343	125.00
Back wash valve V6 TM22 L-Flange LK=247 2" ABS white thread ends R 2" BSP / d60,325 MOP 3,5 bar NBR tpe loose packed Praher-label	3.03	8.00	130648	125.00
Back wash valve V6 TM22 AS-Flange 2" ABS black thread ends R 2" BSP / d63 MOP 3,5 bar NBR tpe single packed -ESPA-ESPA-label	2.97	1.00	130927	125.00
Back wash valve V6 TM22 AS-Flange 2" ABS black thread ends R 2" BSP / d63 MOP 3,5 bar NBR tpe single packed Praher-label	0.30	1.00	72211	125.00
CLAMP RINGS				
Clamp ring for back wash valve TM12 T-Flange incl. screws and nuts and O-ring 183,52 X 6,99	0.30	50.00	50194	13.40
UNION 2"				
Union ocean PVC grey solvent socket-male thread 63-2" BSP EPDM	0.23	40.00	170402	7.49
Union ocean PVC white solvent socket-male thread 63-2" BSP EPDM	0.23	40.00	170386	8.86
SIGHT GLASS				
PVC sight glass transparent DN50/d63	0.97	1.00	7300322	43.25





2 1/2"
CONNECTION



6-way backwash valve Side Mount 2 1/2"

3,5 bar, black

CHARACTERISTICS

- Easy handling
- Extreme low-noise operation
- High durable sealing material and pressure springs
- Pressure tightness and operation tests according to DIN 3230
- Easy installation on the AQUASTAR® automatic backwash valve actuator
- Additional „winter position“ for release for the sealing system

APPLICATION

Swimming pool, natural pool, aquaristics, fish ponds and water attractions (fountains) with temperatures up to 40 °C

Product	G-kg	PU	Prod.No.	Price €
VALVE				
6 way multiport valve 2 1/2" - d75, Top + Bottom = glue connection d75, Pump + Return + Waste = union connection glue d75 metric, neutral handle	6.66	1.00	77464	245.82
SIGHT GLASS				
PVC sight glass transparent DN65/d75	0.00	1.00	7300323	112.59



3,5
BAR

ABS
HOUSING

3"
CONNECTION



7-position backwash valve V6 side mount 3" ABS

available in ABS (3.5 bar) and in various connections.

Product	G-kg	PU	Prod.No.	Price €
VALVES				
Back wash valve V6 ND SM30 3 3" ABS white thread ends R 3" BSP MOP 3,5 bar EPDM EPDM Praher-label	6.49	1.00	130192	600.00
Back wash valve V6 ND SM30 AO 3" ABS white thread ends R 3" BSP MOP 3,5 bar EPDM EPDM single packed Praher-label	7.64	1.00	130000	600.00
Back wash valve V6 ND SM30 AO 3" ABS white solvent socket d90 metric MOP 3,5 bar EPDM EPDM single packed Praher-label	6.80	1.00	130074	600.00
Back wash valve V6 ND SM30 AO 3" ABS black thread ends R 3" BSP MOP 3,5 bar EPDM EPDM single packed - neutral label	6.86	1.00	130771	600.00
UNION 3"				
Union ocean PVC grey solvent socket-male thread 90-3" BSP EPDM	1.11	10.00	170085	35.12
Union ocean excessive PVC grey solvent socket male thread 90-3" BSP EPDM	1.76	5.00	170185	79.04
SIGHT GLASS				
Sightglass S4 DN80 PVC transparent PVCu solvent socket ends d90 metric PN16 EPDM	4.01	1.00	123256	139.62



7-position backwash valve V6 side mount 3" ASA GF

available in ASA-GF (5 bar)

APPLICATION

Swimming pool, natural pool, aquaristics, fish ponds and water attractions (fountains) with temperatures up to +50°C

5
BAR

ASAGF
HOUSING

3"
CONNECTION



Product	G-kg	PU	Prod.No.	Price €
VALVES				
Back wash valve V6 ND SM31 AO 3" ASA-GF nature thread ends R 3" BSP MOP 5 bar EPDM EPDM single packed Praher-label	7.64	1.00	130142	670.07
Back wash valve V6 ND SM31 AO 3" ASA-GF nature thread ends R 3" BSP MOP 5 bar FPM EPDM single packed Praher-label	7.72	1.00	130201	756.92
UNION 3"				
Union ocean PVC grey solvent socket-male thread 90-3" BSP EPDM	1.11	10.00	170085	35.12
Union ocean PVC grey solvent socket-male thread 90-3" BSP EPDM	1.76	5.00	170185	79.04
SIGHT GLASS				
Sightglass S4 DN80 PVC transparent PVCu solvent socket ends d90 metric PN16 EPDM	4.01	1.00	123256	139.62



4"
CONNECTION

6-way backwash valve side mount 4"

3,5 bar, black

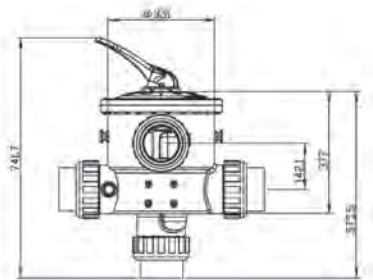
CHARACTERISTICS

- Easy handling
- Extreme low-noise operation
- High durable sealing material and pressure springs
- Pressure tightness and operation tests according to DIN 3230
- Easy installation on the AQUASTAR® automatic backwash valve actuator
- Additional „winter position“ for release for the sealing system

APPLICATION

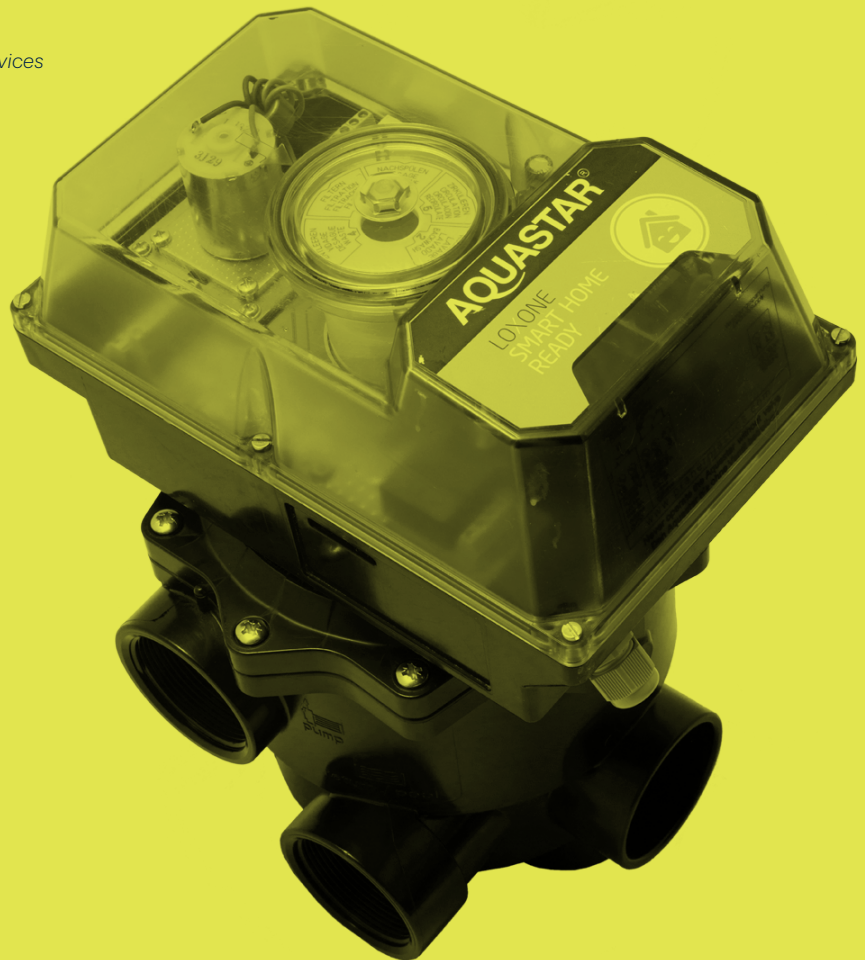
Swimming pool, natural pool, aquaristics, fish ponds and water attractions (fountains) with temperatures up to 40 °C

Product	G-kg	PU	Prod.No.	Price €
Back wash valve black 110-4"	20.70	1.00	78080	1531.59

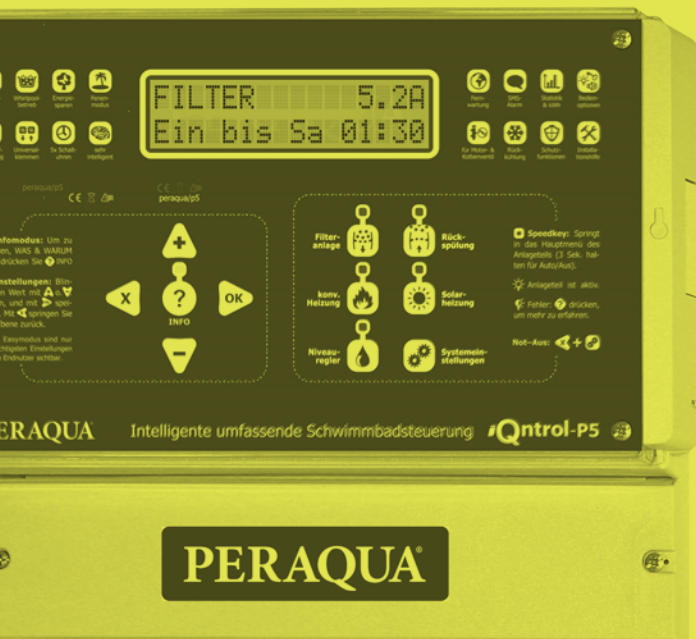


Loxone Aquastar® Air
pool controlled with mobile devices

page 176



DESIGNED
ENGINEERED &
MADE IN AUSTRIA



iQntrol-P5 pool control
one control for all options

page 180

CONTROLS

176 | Pool controls

183 | Niveau-, temperature controls

186 | Solar controls

TECHNICAL DATA

LOXONE AQUASTAR AIR

FEATURES

- AquaStar 6-way backwash valve for automated filtering, backflush, cleaning, circulation, emptying, setting winter mode and closing.
- IP65 protection
- Electrically powered 100 – 240V AC
- Direct connection for 2- or 3-way E0510 electric ball valve (e.g. ducting)
- Can be retrofitted to all common filter brands using 1.5" and 2" Praher side mount or top mount valves incl. Praher ABS piping and fittings for quick assembly
- Optional Peraqua Bregenz, Vienna or Innsbruck polyester sand filter available (D400 – D1050)
- Can be retrofitted to all Praher Ocean V6 Side or Top Mount valves using the new sealing system for all common filters
- Connection for AquaStar SafetyPack (available separately)
- Free visualisations using the Loxone Miniserver via iPhone, iPad and Android
- Free updates using the Loxone Miniserver

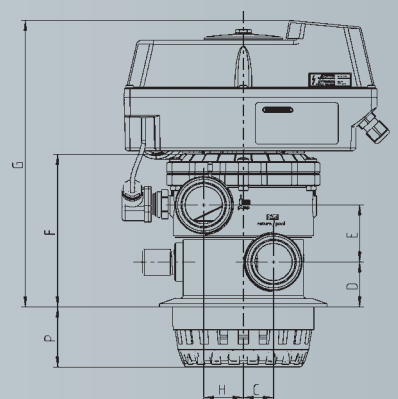
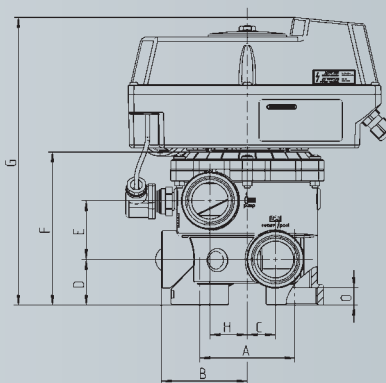
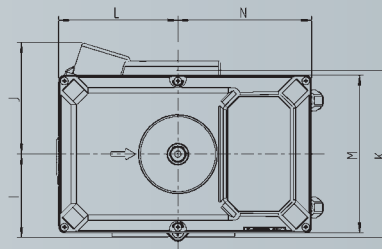
CONNECTIONS

- 1-Wire connector for connecting 1-Wire temperature sensors
- 1x analogue input 0.5 – 5V (e.g. for pressure sensors)
- 1x analogue input 0 – 10V (e.g. for pressure sensors)
- 3x multi-purpose relays 250V AC 5A
- Loxone Air Technology for wireless connection to the Loxone Miniserver
- Direct pump connection (250V AC, 8A) with safety switch
- Direct connection for drain safety valve

DIMENSIONS

	1 1/2" SM mm	1 1/2" TM mm	2" SM mm
A	99,5	X	110
B	90	X	114
C	29,5	31,5	38
D	48	47	60
E	61,5	59,5	81
F	163,5	160	210
G	304	300	348
H	39	41,5	36
I	87,5	90	114
J	117	117	117
K	175	180	228
L	125	125	125
M	165	165	165
N	140	140	140
O	18,5	18,5	26
P	X	62,5	X

SM = PRAHER SIDE MOUNT VALVE V6
TM = PRAHER TOP MOUNT VALVE V6





FEATURES & BENEFITS



FULLY AUTOMATED CONTROL

The AquaStar 6-way backwash valve allows filtration, backflush, circulation, emptying, frost protection or closing to be automated.



PRECONFIGURED SOFTWARE COMPONENTS

Provides quick and easy configuration using the Loxone Miniserver including visualisation, local operation and remote control.



APP

Remotely control and monitor your pool using the free app for iPhone, iPad and Android. Set temperature, filtration schedules, water level and more.



LOXONE AIR TECHNOLOGY

No extra wires needed thanks to the wireless connection to the Loxone Miniserver or Loxone Miniserver Go.



CUSTOMISED NOTIFICATIONS

Be informed by email or phone about problems or maintenance intervals.



TEMPERATURE CONTROL

Monitor and control the pool temperature with included interface options.



3 MULTI PURPOSE RELAYS

For control of Peraqua Smart heat pump, lighting, jet system, pool cover and more.



2 MULTI PURPOSE ANALOGUE INPUTS

For connection of water level and other sensors.



DIRECT FILTER PUMP CONTROL

Facilitating management of filtration schedules.



EXPANDABLE

With the Miniserver, jet systems, lighting and more can be controlled.



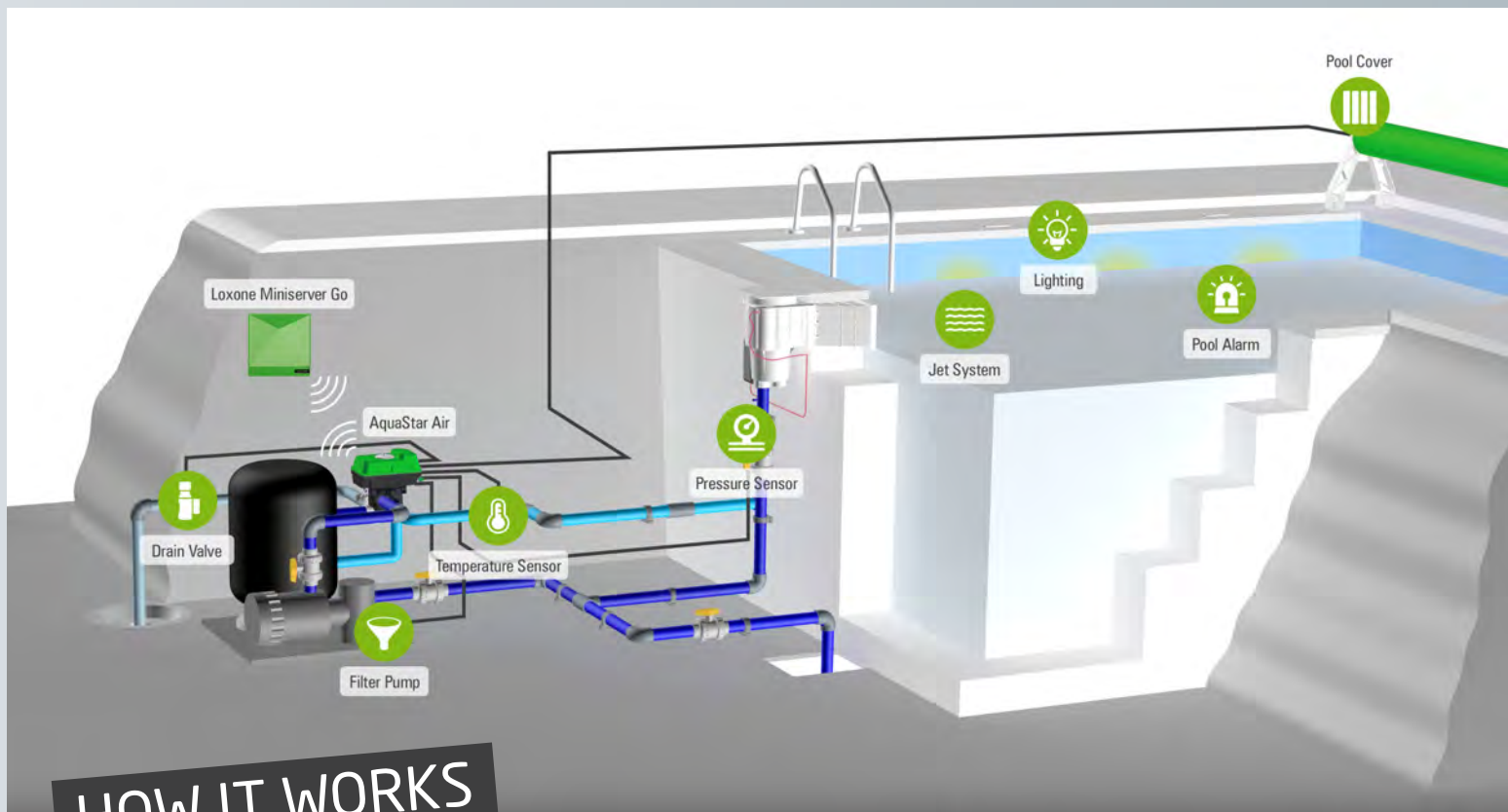
EASILY RETROFITTED

Easily installed in existing pools.



FUTURE-PROOF

Free software updates ensure you will always be up to date.



HOW IT WORKS

REQUIREMENTS:

In order to set up the Loxone AquaStar Air, a Loxone Miniserver or Loxone Miniserver Go is required. You can purchase this directly from Loxone or a Loxone Partner.

1

ASSEMBLY

The Loxone AquaStar can be fitted to all common brands of filter, even if a filter has already been installed. Once provided with power, the Loxone AquaStar is ready to go and can be connected to the Loxone Miniserver.

2

SETUP

Setup and configure using the free Loxone configuration software. The AquaStar is displayed and inserted in the search window.

3

CONFIGURE

The preconfigured software component "Pool" allows for quick and simple configuration of pump operation times, threshold values, filter programmes, temperature monitoring and more.

4

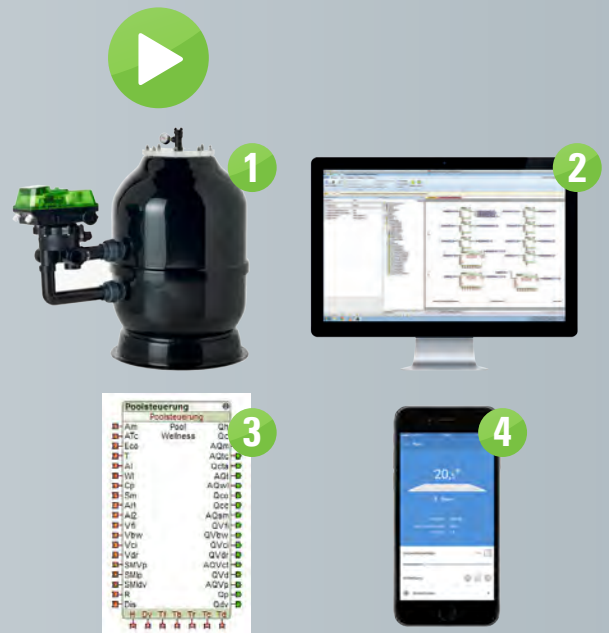
VISUALISE

The preconfigured software component "Pool" also comes with visualisations that you can use to monitor and manage your pool remotely. Free apps for this purpose are provided for iPhone, Android and web browsers.

✓

DONE

Your fully automated pool management will save you time that you can now spend enjoying your pool.





OPTIONS FOR EXPANSION

Connecting the Loxone AquaStar Air with the Loxone Miniserver offers much more than just pool automation. The system can be used for a variety of other applications:

POOL AND GARDEN

- Integration of counter-current units
- Integration of pool lighting
- Control and integration of outdoor lighting
- Pool cover control
- A multitude of energy saving features (e.g. pump operation via installation of photovoltaic unit)

WITHIN YOUR HOME

The Loxone Miniserver is the centre of your Smart Home, bringing various systems and devices together.

Normal switches and simple control elements can be integrated into the system just as easily as photovoltaic units and other complex systems.

Using the additional accessories available from Loxone (including wireless power sockets, smoke detectors, presence detectors, temperature sensors and more), your pool control system can become a complete Smart Home control centre, giving you control over lighting, blinds and shutters, music, alarms and more.

*Caution: Please be aware of country-related legal regulations before use.



Optionally controllable with the Loxone Smart Home App on mobile devices



Optionally we recommend the installation on the filter BREGENZ II

Loxone AQUASTAR® Air

FEATURES

- Aquastar® 6-way back wash valve for automatic filter, back wash, rinse, circulation, draining and closed/winter
- IP65 protection code
- El. actuator 100 - 240V AC
- Direct connection for 2- or 3-way ball valve EO510 (for instance: draining system)
- Retrofit for all well-known filter brands possible with the 1½" and 2" Praher side mount or top mount valve, incl. Praher ABS piping and union systems for a quick and easy installation
- Optional with Peraqua polyester sand filter systems Vienna, Salzburg or Innsbruck (D400 - D1050)
- Installation of Aquastar® SafetyPack possible (available separately)
- Free visualisation with Loxone Miniserver via iPhone, iPad und Android
- Free updates via Loxone Miniserver

INTERFACES

- 1-wire connection for installation of 1-wire temperature sensors
- 1 analogue input 0.5 - 5V (for example for pressure sensors)
- 1 analogue input 0 - 10V (for example for pressure sensors)
- 3 relais 250VAC 5A freely definable
- Loxone Air technology for wireless connection to the Loxone server
- Direct pump connection (250V AC, 8A)

EXTENSION OPTIONS

With the connection of the Aquastar® Air to the Loxone Smart Home system, in combination with the Loxone Miniserver there are many options:

- Integration of jet swim systems
- Integration of the pool lighting system
- Control and integration of the outdoor illumination system
- Control of your home your total home automation (shading, alarm, energy, music, and many more)
- Numerous functions for energy saving (for example control of pool pump in combination with photovoltaic systems)

TECHNICAL REQUIREMENTS FOR THE LOXONE AQUASTAR AIR

Product	G-kg	PU	Prod.No.	Price €
Loxone AQUASTAR Air SM10 1 1/2" ABS black BSP thread, Top+Bottom slip PN3,5 NBR tpe 100-240 VAC	4.20	1.00	131372	2421.21
Loxone AQUASTAR Air SM20 2" ABS black BSP thread, Top+Bottom slip PN3,5 NBR tpe 100-240 VAC	5.39	1.00	131373	2594.16



Loxone AQUASTAR® Air starter package

The Loxone AquastarR Air starter package is pre-configured and ready for operation

- 1 pc Loxone AquastarR Air 1 1/2" / 2" incl. antenna
- 1 pc Loxone Mini Server Go (configured)
- 1 pc Loxone WLAN router (configured)
- 1 pc pressure sensor/dry-running protection (wired)
- 1 pc temperature sensor (wired)



FUNCTIONS

- visualisation smart phone/tablet:
- filter time, back wash timer, setpoint water temperature, under water lighting ON/OFF,
- service applications (putting into operation, statistics,...)
- control filter pump
- automatic backwash
- release heating (z.B. Smart heat pump)
- control water level/water feed
- LED under water lighting
- dry-running protection, draining

Product	G-kg	PU	Prod.No.	Price €
Loxone Aquastar Air 1 1/2" starter kit PERAQUA	5.27	1.00	131385	4588.77
Loxone Aquastar Air 2" starter kit PERAQUA	0.80	0.00	131384	4819.37



Loxone AQUASTAR® Air starter package PLUS – extension components

The Loxone AquastarR Air starter package PLUS offers additional extensions with biertet DMX and Modbus extensions:

- DMX extension for Adagio Pro under water lighting visualisation, controllable and dimmable
- Modbus extension with electronic board for DOMOTIC visualisation

Product	G-kg	PU	Prod.No.	Price €
Salt electrolysis DOMOTIC LS electronic board MODBUS	0.40	1.00	78793	636.49
Loxone MODBUS Extension	85.00	1.00	740016	546.49
Loxone DMX Extension	85.00	1.00	740017	643.35



Loxone Modbus & DMX Extension

Loxone pressure sensor

for water level control in compensation tank



Product	G-kg	PU	Prod.No.	Price €
Pressure sensor 0-10V	0.18	1.00	740046	584.92



COMPLETELY UNDER CONTROL

The new control series "iQntrol" offers the total control over each pool area. The pool, water, solar, level and temperature controls are developed and produced exclusively in Austria under the slogan "high functionality and easy operation combined in intelligent products"



**DESIGNED
ENGINEERED &
MADE IN AUSTRIA**



iQntrol-P5 ALLROUNDER

- » Filter control
- » Heating control
- » Solar control
- » Backwash control
- » Niveau regulation

The P5 is a universal swimming pool control, which is practically the entire control technology of a modern swimming pool and is suitable for all common filter pumps & manual/auto backwash valves.

It is designed for easy installation and already pre-adjusted with common parameters. With an info button it is visible whether level controller, timer or the heating has been switched on.

The P5 offers remote maintenance from the PC via cable, modem or mobile phone and informs in case of failure with error description via SMS.

iQntrol-P4

- » Filter control
- » Heating control
- » Solar control
- » Backwash control

This modular splash-proof filter control with automatic backwash function works with IP65 microprocessors. A heating controller with relays can be connected to the iQntrol P4 front panel, so a later retrofitting, just in case, becomes child's play.

Special security offers the electronic motor protection. During installation it will be adjusted automatically to the right value and recognizes broken relays thanks to the intelligent processor technique.



Example: complete backwash set with iQntrol-P5 and Aquastar® mp6 plc



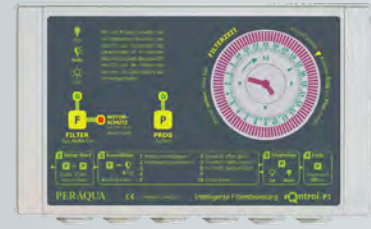
iQntrol-P3

- » Filter control
- » Solar heating control



iQntrol-P2

- » Filter control
- » Heating control



iQntrol-P1

- » Filter control

These three models have been specially designed to regulate the pool temperature with the filter control. The basic model is the simply intelligent iQntrol-P1 filter control.

Thanks to state-of-the-art microprocessor technology, the controller manages with just a few components and thus offers practical functions through smart technology.

The pool temperature is regulated with a large knob. In the P3 filter control, the difference temperature can be adjusted as well.

NEW



iQntrol-P5 complete swimming pool control 230V and 400V

Pool all-rounder for solar, heating, water level, backwash, oxygen disinfection, 400V or 230V filter system. Simple operation, remote maintenance, ASCII interface to bus systems, SMS-Artemierung in case of investment errors, Whirlpool operation, universal inputs / outputs, energy saving functions, use of synergies for resource-saving intelligent control, splashproof, information key to read what is going on, watch with 10 years power reserve, waterproof housing with transparent lid etc.

Attention: without sensor, without valves, without probes and cables

Product	G-kg	PU	Prod.No.	Price €
iQntrol-P5 all in one complete pool control unit 230V and 400V, pump-, backwash-, solar-, water level control	2.35	1.00	7300671	2599.00

Additional power supply for iQntrol-P5

Product	G-kg	PU	Prod.No.	Price €
Surcharge for an add. power supply in the iQntrol-P5 in order to run a 3" Praher Aquastar valve 24V	0.44	1.00	7300672	953.04



iQntrol-P5 backwash set

for automatic backwash, 24V AC/DC, filter control and heating control

Product	G-kg	PU	Prod.No.	Price €
iQntrol-P5 backwash set for automatic backwash, filter and heating control, incl. Praher 1 1/2" Aquastar MP6 plc, incl. immersion sensor and thermowell, contact sensor, incl. connection cable forl MP6 plc control	6.00	1.00	7300837	4560.00
iQntrol-P5 backwash set for automatic backwash, filter and heating control, incl. Praher 2" Aquastar MP6 plc, incl. immersion sensor and thermowell, contact sensor, incl. connection cable forl MP6 plc control	7.50	1.00	7300838	4660.00
iQntrol-P5 backwash set for automatic back wash, filter control and heating control, incl. Praher 3" Aquastar MP6 plc, incl. surcharge for additional power supply for a 3" Aquastar MP plc 24V	14.00	1.00	7300839	6570.00



iQntrol-P5 backwash set PROFi

for the automatic backwash, filter control, heat control, overflowtank sensors, remote control

Product	G-kg	PU	Prod.No.	Price €
iQntrol-P5 backwash set PROFi for automatic backwash, filter control, and heating control, sensor for overflow tank, remote control, incl. Praher 1 1/2" Aquastar MP6 plc	9.00	1.00	7300840	6730.00
iQntrol-P5 backwash set PROFi for the automatic backwash, filter control and heating control, sensor for overflow tank, remote control, incl. Praher 1 1/2" Aquastar MP6 plc	11.00	1.00	7300841	6830.00
iQntrol-P5 backwash se PROFi for automatic backwash, filter control and heating control, sensor for overflow tank, remote control, incl. Praher 3" Aquastar MP6 plc, incl. surcharge for additional power supply for a 3" Aquastar MP plc	17.00	1.00	7300842	8740.00



NEW

iQntrol-P4 filter control

incl. Solar control and backwash control

Filter control for 230V or 400V pump with automatic backwash, heating controller and solar controller with priority for the sun. Remote control via cable or modem, SMS error dispatch, protection functions, directly connectable piston valves for filter backwashing, universal input, waterproof housing with transparent cover, etc.

Just like the iQntrol-P5, the iQntrol-P4 has integrated the automatic backwash, since all the electronics are in the controller you just need an Aquastar MP6 plc and the right cable (both not included in the control).

Product	G-kg	PU	Prod.No.	Price €
iQntrol-P4 pump control incl. solar incl. backwash control 230V and 400V	2.27	1.00	7300668	2262.07

Heat control for iQntrol-P4 filter control

release heat control



Product	G-kg	PU	Prod.No.	Price €
Release heating control for iQntrol-P4 pump control incl. solar incl. backwash control 230V and 400V	0.12	1.00	7300669	605.40

solar control for iQntrol-P4 filter control

release solar control



Product	G-kg	PU	Prod.No.	Price €
Release solar control for iQntrol-P4 pump control incl. solar incl. backwash control 230V and 400V	0.16	1.00	7300670	678.21



In wall mounted remote control unit for iQntrol-P4 or iQntrol-P5

With this remote control unit, iQntrol-P4 or P5 (please give information in case of an order) can be conveniently controlled from a room in the house, you need only a CAT5 network connection between the control and the remote control unit, no more conduct such as 230V power connection.

Product	G-kg	PU	Prod.No.	Price €
In wall cable remote control for iQntrol-P4 and iQntrol-P5	0.91	1.00	7300673	1471.00

NEW

iQntrol-P3 solar filter control 230

with manual adjustment Tmax. and Tdifference

Product	G-kg	PU	Prod.No.	Price €
iQntrol-P3 pump control incl. solar 230 with adjustment Tmax. and Tdifference manually, without motor protection, with 2x temp. sensors and 2x housing for sensor ½"	0.96	1.00	7300666	765.00

iQntrol-P3 solar filter control 400

with manual adjustment Tmax. and Tdifference



Product	G-kg	PU	Prod.No.	Price €
iQntrol-P3 pump control incl. solar 400 with adjustment Tmax. and Tdifference manually, with intelligent motor protection 0,7 – 7,5A for pumps 250W-4kW, with temp. sensor and housing for sensor ½"	1.02	1.00	7300667	855.00

NEW

iQntrol-P2 heating filter control 230

with manual adjustment of pool temperature

Product	G-kg	PU	Prod.No.	Price €
iQntrol-P2 pump control incl. heating 230 with temp. adjustment manually, without motor protection, with temp. sensor brass chromed d10 and housing for sensor ½"	0.92	1.00	7300664	762.15



iQntrol-P2 heating filter control 400

with manual adjustment of pool temperature

Product	G-kg	PU	Prod.No.	Price €
iQntrol-P2 heating filter control 400 with manual adjustment of pool temperature, with smart motor protection 0,7 – 7,5A for pumps 250W-4kW, with temperature sensor brass chromed d10 and immersion probe ½"	0.99	1.00	7300665	867.69

NEW

iQntrol-P1 filter control

without temperature control and without motor protection

Product	G-kg	PU	Prod.No.	Price €
iQntrol-P1 pump control 230 without temperature modulator and without motor protection	0.79	1.00	7300662	570.00
iQntrol-P1 pump control 400 with intelligent motor protection 0,7 – 7,5A, without temperature modulator	0.86	1.00	7300663	660.00



NEW

iQntrol-N2 splash tank control

Microprocessor water flow control for swimming pools with overflow edge. Works e.g. together with the iQntrol-N2 probe set. Contains intelligent functions such as probe monitoring and fill-time monitoring, power-saving function for the filter pump. All outputs are potential-free changeover contacts, therefore suitable for any pool control. Potential-free fault message output for the control technology.

Product	G-kg	PU	Prod.No.	Price €
iQntrol-N2 control unit for compensation tank with 3 hysteresis for re-fill, overflow protection and dry run protection	0.77	1.00	7300681	695.00



Sensor set for iQntrol-N2

with 5 suspension electrodes

Product	G-kg	PU	Prod.No.	Price €
Sensor set for iQntrol-N2 with 5 V4A sensors 5m each and special cable (colored, ozone resistant)	1.04	1.00	7300682	490.11



Water level control NC01

ready to plug in, ready to plug in with time relay switch which can be sent from 2 – 135 sec. Incl. PVC solenoid floater for easy installation in Ocean skimmer M5 and PT, as this is fitted with an integrated height adjustable in Ocean skimmer M5 and PT, as this is fitted with an integrated height adjustable retention system for this floater.

Product	G-kg	PU	Prod.No.	Price €
Niveau-Set NC01 230VAC with solenoid valve	1.30	1.00	130293	718.47

NEW



iQntrol-N1 niveau control

with switch OFF, automatic and test



Product	G-kg	PU	Prod.No.	Price €
iQntrol-N1 water level control with switch on, automatik and test, incl. potential free switch up to 800VA incl. galvanic water level sensor plastic/V4a, 10m cable, height adjustable	0.84	1.00	7300676	445.00
iQntrol-N1 water level control with switch on, automatik and test, incl. potential free switch up to 800VA incl. galvanic water level sensor plastic/V4a, 20m cable, height adjustable	0.84	1.00	7300677	559.42
iQntrol-N1 water level control with switch on, automatik and test, incl. potential free switch up to 800VA incl. optical water level sensor plastic/V4a for all kind of liquids 10m cable	0.84	1.00	7300678	508.21
iQntrol-N1 water level control with switch on, automatik and test, incl. potential free switch up to 800VA incl. optical water level sensor plastic/V4a for all kind of liquids 10m cable	0.52	1.00	7300679	732.19
iQntrol-N1 water level control with switch on, automatik and test, incl. potential free switch up to 800VA incl. optical water level sensor plastic/V4a for all kind of liquids 20m cable	0.52	1.00	7300680	793.43



Galvanic water level sensor made of plastic/V4a

Product	G-kg	PU	Prod.No.	Price €
Galvanic water level sensor plastic/V4a, height adjustable, 10m cable	0.35	1.00	7300683	103.10
Galvanic water level sensor plastic/V4a, height adjustable, 20m cable	0.68	1.00	7300684	154.30



Water level sensor D7mm

Product	G-kg	PU	Prod.No.	Price €
Very Slim water level sensor sensor d7mm especially for plastic skimmer with little space, 10m cable	0.36	1.00	7300685	103.10



Optical water level sensor made of plastic/V4a

Product	G-kg	PU	Prod.No.	Price €
Optical water level sensor plastic/V4a for all kind of liquids, 20m cable	0.44	1.00	7300686	327.09
Optical water level sensor plastic/V4a for all kind of liquids, 20m cable	0.83	1.00	7300687	388.32



High quality solenoid valve

Product	G-kg	PU	Prod.No.	Price €
High quality solenoid valve brass 3/8"	0.51	1.00	7300698	269.61
High quality solenoid valve made of brass 1/2"	0.54	1.00	7300699	304.10
High quality solenoid valve brass 3/4"	1.19	1.00	7300700	538.86
High quality solenoid valve brass 1"	1.19	1.00	7300701	751.70



Socket for solenoid valve

with varistor and LED

Product	G-kg	PU	Prod.No.	Price €
Socket for solenoid valve with varistor and LED for iQntrol-P5 und iQntrol-P4 (in order to avoid overvoltage)	0.03	1.00	7300702	34.01
Socket for solenoid valve with varistor and LED for iQntrol-P5 und iQntrol-P4 (in order to avoid overvoltage) incl. 90° schuko plug and connected 1,5m cabel	0.30	1.00	7300845	82.90

Cable with special insulation

for all galvanic sensors, 100m



Product	G-kg	PU	Prod.No.	Price €
cable with special insulation for all galvanic sensors, 100 mm	3.24	1.00	7300688	319.91



**PLUG-IN
READY**

Solar control SC01 with 2-way ball valve

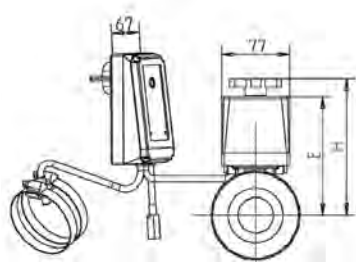
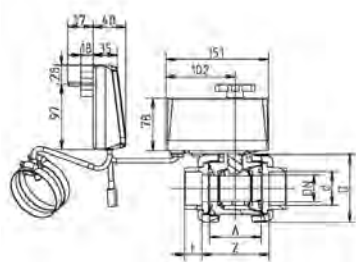
consisting of a ready to plug-in compact control unit, the required pool temperature can be set manually (+20 °C up to +40 Grad °C).

TECHNICAL DATA

- Cold water sensor with 3 m cable
- Warm water sensor with 10 m cable
- Original Praher® 2-way PVC ball valve with EO510 electric actuator
- IND 12-24 V AC/DC (DN40/d50 or DN50/d63)
- Manual override
- IP54 protection code
- CE-marking
- Optical position indication

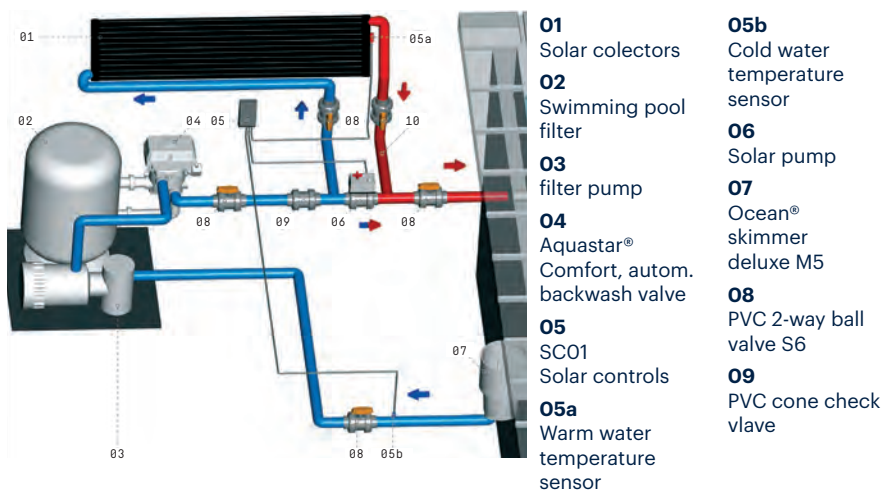
DIMENSIONS

d	DN	G	A	D	E	H	t	Z	PN
mm	mm	Zoll	mm	mm	mm	mm	mm	mm	bar
40	32	1 ¼"	77	101,5	135	155	26,5	87	16
50	40	1 ½"	77	101,5	135	155	31,5	87	16
63	50	2"	87	115,3	142	163	38,5	99	16



Product	G-kg	PU	Prod.No.	Price €
Solar set SC01 mit 2-way ball valve S6 DN40 PVC PVCu solvent socket ends d50 metric PN3 EPDM PTFE EO510 24V IND	2.83	1.00	129635	810.28
Solar set SC01 mit 2-way ball valve S6 DN50 PVC PVCu solvent socket ends d63 metric PN3 EPDM PTFE EO510 24V IND	3.11	1.00	129636	856.20

INSTALLATION SCHEME





**PLUG-IN
READY**

Solar control SC01 with 3-way ball valve

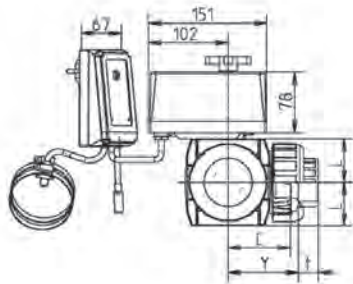
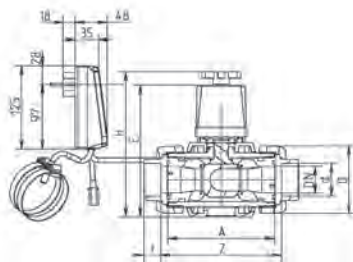
consisting of a ready to plug-in compact control unit, the required pool temperature can be set manually (+20 °C up to +40 Grad °C).

TECHNICAL DATA

- Cold water sensor with 3 m cable
- Warm water sensor with 10 m cable
- Original Praher® 2-way PVC ball valve with EO510 electric actuator
- IND 12-24 V AC/DC (DN40/d50 or DN50/d63)
- Integrated pressure hole in the ball
- Manual override
- IP54 protection code
- CE-marking
- Optical position indication

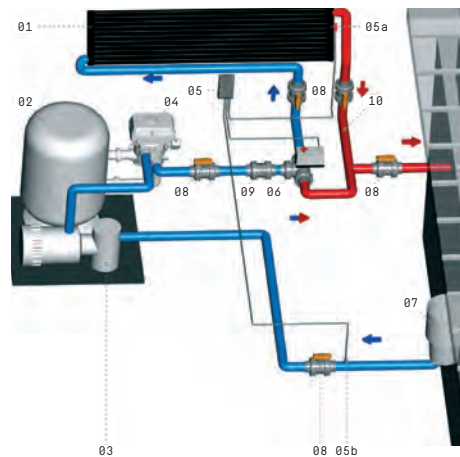
DIMENSIONS

d	DN	G	A	C	D	E	H	L	Y	t	Z	PN
mm	mm	Zoll	mm	mm	mm	mm	mm	mm	mm	mm	mm	bar
40	32	1 1/4"	162	81	101	200	220	56	84,5	27,5	169	16
50	40	1 1/2"	162	81	101	200	220	56	85,5	31,5	171	16
63	50	2"	181	90,5	121,5	216	236	64	96,5	38,5	193	16



Product	G-kg	PU	Prod.No.	Price €
Solar set SC01 with 3-way ball valve s4 DN40 PVC PVCu solvent socket ends d50 metric PN3 EPDM tpe EO510 24V IND solar	4.09	1.00	129637	956.71
Solar set SC01 with 3-way ball valve s4 DN50 PVC PVCu solvent socket ends d63 metric PN3 EPDM tpe EO510 24V IND solar	5.10	1.00	129638	1116.79

INSTALLATION SCHEME



- 01** Solar collectors
- 02** Swimming pool filter
- 03** filter pump
- 04** Aquastar Comfort, autom. backwash valve
- 05** SC01 Solar control
- 05a** Warm water temperature sensor
- 05b** Cold water temperature sensor
- 06** Ocean skimmer deluxe M5
- 07** PVC 2-way ball valve S6
- 08** PVC cone check valve
- 09** Energy PVC pipes and fittings
- 10** power supply, socket

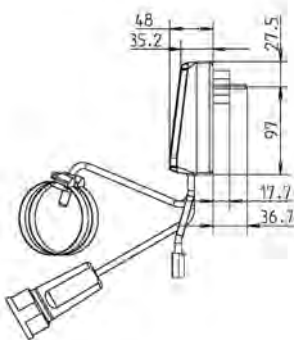
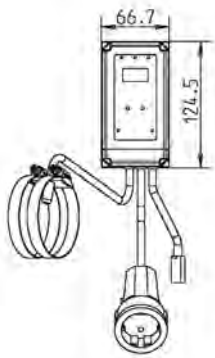


PLUG-IN
READY

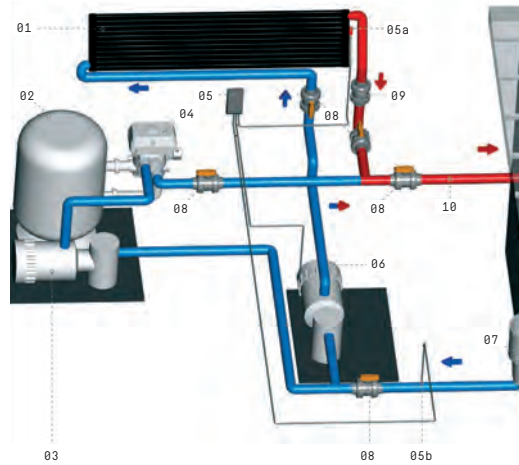
Solar control SC02

The SC02 consists of a ready to plug-in and compact (acc. to DIN) control box, the required pool temperature (+5°C up to +60°C) can be set manually. Furthermore this control system has an integrated connection for the “solar pump” 230V for direct control, digital display, cooling function as control function that in case of increasing pool water temperature set-up temperature is not exceeded (“red blinking leds”), adjustment of temperature difference between pool and collector from +2°C up to 20°C, switch from Celsius to Fahrenheit possible. Furthermore there are included a cold water temperature sensor with 3 m connection cable as well as a warm water temperature sensor with 10 m connection cable which have to be fixed after the skimmer or the solar absorber. The SC02 solar controls are mainly used for solar heatings in private pools. This provides a substantial extension of the outdoor pool season.

Product	G-kg	PU	Prod.No.	Price €
Solar-Control SC02 230VAC	1.45	1.00	120848	558.39



INSTALLATION SCHEME



- 01** Solar collectors
- 02** Swimming pool filter
- 03** filter pump
- 04** Aquastar® Comfort, autom. backwash valve
- 05** SC01 Solar controls
- 05a** Warm water temperature sensor
- 05b** Cold water temperature sensor
- 06** Solar pump
- 07** Ocean® skimmer deluxe M5
- 08** PVC 2-way ball valve S6
- 09** PVC cone check valve
- 10** Energy PVC pipes and fittings



Solar control SCO4 with 2- and 3-way ball valve

ECONOMICAL AND EFFICIENT 2 AND 3 WAY PVC VALVE WITH INTEGRATED SOLAR CONTROL.

The SCO4 which can be easily integrated in the hose piping by using hose nozzles (optional accessories).

Another possibility is the direct installation on the Ocean V6 (installation diagram on request). With this compact solar control all necessary functions are integrated with the EO510 electric actuator. Adjustment of pool water temperature from +20°C up to +40°C is possible. Also included are: a cold water sensor with 3 m connection cable, and a warm water sensor with 10 m connection cable (each one) which can be fixed to the piping or after the skimmer respectively on the solar absorber, 2 or 3 way Praher PVC ball valves DN40/ d50 or DN50/d63 way), manual override, protection code IP54, CE marking and optical position indication.with EO510 electric actuator 230V AC/DC with integrated balance hole in the ball (3

Product	G-kg	PU	Prod.No.	Price €
Solar control SC04 mit 2-way ball valve S6 DN40 PVC grey PVCu solvent socket ends d50 metric PN3 EPDM PTFE EO510 100-240 VAC	2.43	1.00	126566A	651.46
Solar control SC04 with 3-W-T-ball DN40 PVC grey PVCu solvent socket ends d50 metric PN3 EPDM tpe EO510 100-240 VAC	3.77	1.00	126564A	769.35



SOLAR

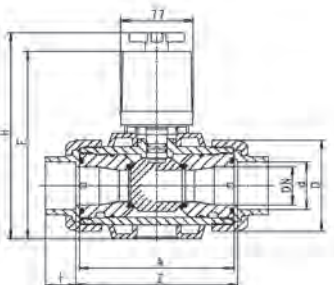
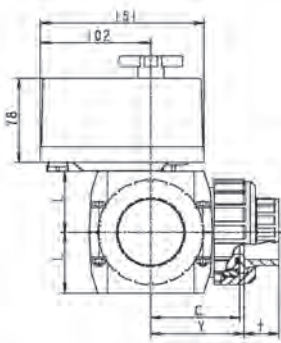
3-way ball valve S4 SOLAR EO510 eco/ind

TECHNICAL DATA

- Optical position indication
- Manual override
- Compact construction
- Chlorine and sea water resistant (corrosion-free)
- IP 54 (EO510) protection code
- Electr. position feedback
- CE-marking
- Integrated pressure balance system (by-pass system) by a drillhole in the T-ball and pressure ring, therefore 100% tightness not guaranteed

DIMENSIONS

d	DN	G	A	C	D	E	L	H	Y	Z	t	OPR
mm	mm	Zoll	mm	mm	mm	mm	mm	mm	mm	mm	mm	max. bar
40	32	1 ½"	162	81	101	199	220	56	84,5	169	27,5	3
50	40	1 ½"	162	81	101	199	56	219	85,5	171	31,5	3
63	50	2"	181	90,5	121,5	215	64	235	96,5	193	38,5	3



Product	G-kg	PU	Prod.No.	Price €
3-WAY BALL VALVE S4 SOLAR EO510 IND				
Ball Valve S4 3W T-ball DN32 PVC grey PVCu solvent socket ends d40 metric PN3 EPDM tpe EO510 IND 12-24V AC/DC solar	2.69	1.00	122635	475.02
Ball Valve S4 3W T-ball DN40 PVC grey PVCu solvent socket ends d50 metric PN3 EPDM tpe EO510 IND 12-24V AC/DC solar	2.72	1.00	129791A	521.17
Ball Valve S4 3W T-ball DN50 PVC grey PVCu solvent socket ends d63 metric PN3 EPDM tpe EO510 IND 12-24V AC/DC solar	3.77	1.00	122636	662.63
3-WAY BALL VALVE S4 SOLAR EO510 ECO				
Ball Valve S4 3W T-ball DN32 PVC grey PVCu solvent socket ends d40 metric PN3 EPDM tpe EO510 ECO 230VAC solar	2.72	1.00	120647	470.68
Ball Valve S4 3W T-ball DN40 PVC grey PVCu solvent socket ends d50 metric PN3 EPDM tpe EO510 ECO 230VAC solar	3.84	1.00	120651	478.12
Ball Valve S4 3W T-ball DN50 PVC grey PVCu solvent socket ends d63 metric PN3 EPDM tpe EO510 ECO 230VAC solar	3.79	1.00	120655	620.20

NEW

iQntrol-S2 solar control with large digital display

These controllers are located in a service-friendly plug housing. The mounting base with its screw terminals is mounted on the wall or snapped onto a DIN rail. Two potential-free changeover contacts enable easy control of the pump and a motor / solenoid valve. Setting ranges are 1°C to 12°C for the differential temperature and 20°C to 40°C for the maximum temperature limitation.

Product	G-kg	PU	Prod.No.	Price €
iQntrol-S2 solar control with large display with adjustment Tmax. (20-40°C), switch for on-, off-, and automatic mode, incl. 2x temp. sensors and housing for sensor ½"	0.63	1.00	7300675	480.00

NEW

iQntrol-S1 solar control with manual adjustment Tmax. (20-40°C) and Tdiff.

Product	G-kg	PU	Prod.No.	Price €
iQntrol-S1 solar control with adjustment Tmax. (20-40°C), switch for on-, off-, and automatic mode, incl. 2x temp. sensors and housing for sensor ½"	0.60	1.00	7300674	340.00

Immersion probe made of brass chromed d10mm



Product	G-kg	PU	Prod.No.	Price €
Diving detector brass d10mm with 20cm cable	0.02	1.00	7300689	71.06
Diving detector brass d10mm with 20m cable	0.41	1.00	7300690	125.40
Diving detector brass d10mm with 20m cable	0.83	1.00	7300691	155.00

Contact sensor made of brass



Product	G-kg	PU	Prod.No.	Price €
Attach sensor brass chromed with 20cm cable	0.03	1.00	7300692	71.06
Attach sensor brass chromed with 10m cable	0.41	1.00	7300693	135.85
Attach sensor brass chromed with 20m cable	0.81	1.00	7300694	155.00

Chrome plated brass housing for sensor



Product	G-kg	PU	Prod.No.	Price €
Chrome plated brass housing for sensor d10	0.08	1.00	7300695	61.30



PVC housing for sensor for aggressive medias

Product	G-kg	PU	Prod.No.	Price €
PVC housing for sensor for aggressive medias to glue inside a PVC T-pcs. for diving detector d10	0.01	1.00	7300696	61.30



Shielded and twisted sensor cable for Peraqua temperature sensor 100m

Product	G-kg	PU	Prod.No.	Price €
Shielded and twisted sensor cable for Peraqua temperature sensor 100m	3.94	1.00	7300697	249.05



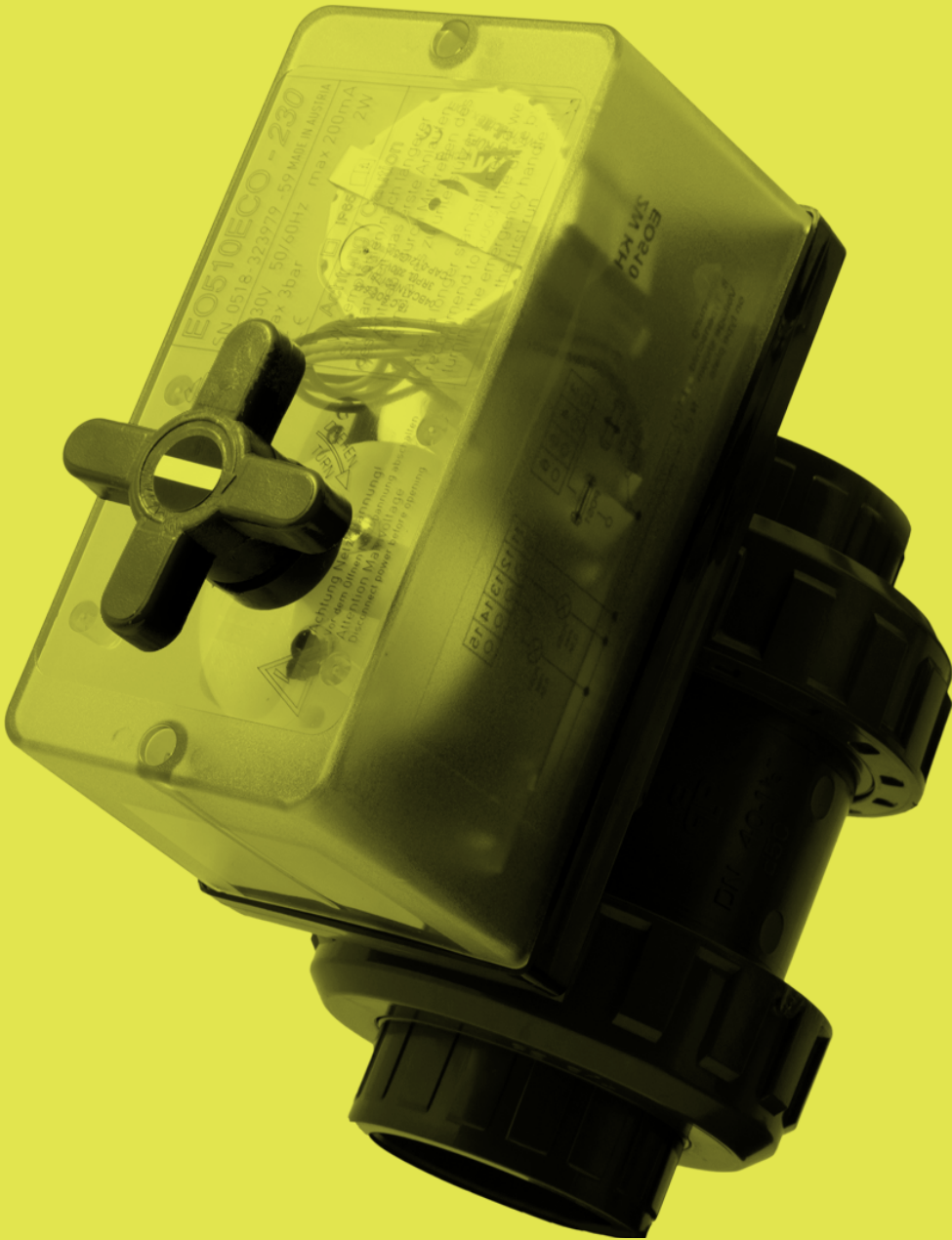
Power supply for 12V or 24V PVC motor valves

Product	G-kg	PU	Prod.No.	Price €
Power Supply for 12V or 24V PVC ball valves for heating – and solar control units (not vor solenoid valves)	0.03	1.00	7300703	233.72

2-way ball valve S6 EO510
designed, engineered and made by Praher Plastic® in Austria

page 198

**DESIGNED
ENGINEERED &
MADE IN AUSTRIA**



AUTOMATIC VALVES

196 | Automatic ball valves

205 | Automatic butterfly valve

209 | Automatic diaphragm valve

3-way ball valve S4 EO510 with electric actuator,
optical and electrical position indicator, manual override



EVERYTHING HANDLED EASILY



AUTOMATIC VALVES FOR A SAFE WATER REGULATION

The extent of pool automation at private pool facilities is increasing continuously. The high quality valve series from Praher Plastics® offers reliability, long life-cycle and reliability for pool facilities of any size.

Likewise, Praher Plastics® produces a wide range of electrical and pneumatic valves d75 - d225 and diaphragm valves for public pool installations, which are characterized by numerous technical advantages compared with conventional metal products.



Automatic valves
designed, engineered & made in Austria
by Praher Plastics®

ELEKTRIC ER-/VS ACTUATOR

Well-matched and tested ER drive for the M1 ball valve and the K4 butterfly valve. Optional ER POSI actuator for individually positioning or ER FAILSAFE with integrated battery in case of power failure.

VS actuators for butterfly valves from DN150.



PNEUMATIC ACTUATOR

Well-matched and tested pneumatic actuators for our M1 ball valve and K4 butterfly valve, single acting (fail safe close/open) and double acting. Position indication and solenoid valve as an option.

PO-NC - closed through spring load, means control air pressure opens the valve

PO-NO - open through spring load, means control air pressure closes the valve

PO-DA - double acting, means control air pressure opens and closes the valve





2-Way Ball Valve M1 with electric actuator 24 V

TECHNICAL DATA ER SERIES

- CE standard
- position feedback
- optical position indication
- manual override
- compact design
- adjustable limit switches
- torque limiting
- Protection code IP65
- PN16

Product	G-kg	PU	Prod.No.	Price €
Ball Valve M1 2W DN10 PVC grey PVCu solvent socket d16 metric PN16 EPDM PTFE ER20 24V AC/DC	1.28	1.00	124000	513.37
Ball Valve M1 2W DN15 PVC grey PVCu solvent socket d20 metric PN16 EPDM PTFE ER20 24V AC/DC	1.27	1.00	124001	514.86
Ball Valve M1 2W DN20 PVC grey PVCu solvent socket d25 metric PN16 EPDM PTFE ER20 24V AC/DC	1.37	1.00	124002	520.61
Ball Valve M1 2W DN25 PVC grey PVCu solvent socket d32 metric PN16 EPDM PTFE ER20 24V AC/DC	1.41	1.00	124003	528.77
Ball Valve M1 2W DN32 PVC grey PVCu solvent socket d40 metric PN16 EPDM PTFE ER20 24V AC/DC	1.64	1.00	124004	682.63
Ball Valve M1 2W DN40 PVC grey PVCu solvent socket d50 metric PN16 EPDM PTFE ER20 24V AC/DC	1.98	1.00	124005	703.12
Ball Valve M1 2W DN50 PVC grey PVCu solvent socket d63 metric PN16 EPDM PTFE ER20 24V AC/DC	2.33	1.00	124006	722.78
Ball Valve M1 2W DN65 PVC grey PVCu solvent socket d75 metric PN16 EPDM PTFE EO ER60 24V AC/DC	5.02	1.00	124245	1340.00
Ball Valve M1 2W DN80 PVC grey, PVCu solvent socket ends d90 metric PN16 EPDM PTFE EO, ER60 24V AC/DC	7.21	1.00	124246	1527.46
Ball Valve M1 2W DN80 PVC grey, PVCu solvent socket ends d110 metric PN16 EPDM PTFE EO, ER60 24V AC/DC	7.30	1.00	124247	1445.48



2-way ball valve M1 with electric actuator 230V

TECHNICAL DATA ER SERIES

- CE standard
- position feedback
- optical position indication
- manual override
- compact design
- protection code PN65
- adjustable limit switches
- PN16

Product	G-kg	PU	Prod.No.	Price €
Ball Valve M1 2W DN10 PVC grey PVCu solvent socket d16 metric PN16 EPDM PTFE ER20 90-240VAC	1.28	1.00	124007	513.37
Ball Valve M1 2W DN15 PVC grey PVCu solvent socket d20 metric PN16 EPDM PTFE ER20 90-240VAC	1.27	1.00	124008	514.86
Ball Valve M1 2W DN20 PVC grey PVCu solvent socket d25 metric PN16 EPDM PTFE ER20 90-240VAC	1.37	1.00	124009	520.61
Ball Valve M1 2W DN25 PVC grey PVCu solvent socket d32 metric PN16 EPDM PTFE ER20 90-240VAC	1.41	1.00	124010	528.77
Ball Valve M1 2W DN32 PVC grey PVCu solvent socket d40 metric PN16 EPDM PTFE ER20 90-240VAC	1.64	1.00	124011	682.63
Ball Valve M1 2W DN40 PVC grey PVCu solvent socket d50 metric PN16 EPDM PTFE ER20 90-240VAC	1.98	1.00	124012	703.12
Ball Valve M1 2W DN50 PVC grey PVCu solvent socket d63 metric PN16 EPDM PTFE ER20 90-240VAC	2.33	1.00	124013	722.78
Ball Valve M1 2W DN65 PVC grey, PVCu solvent socket ends d75 metric PN16 EPDM PTFE EO, ER60 90-240VAC	5.02	1.00	124248	1469.57
Ball Valve M1 2W DN80 PVC grey, PVCu solvent socket ends d90 metric PN16 EPDM PTFE EO, ER60 90-240VAC	7.21	1.00	124249	1527.46
Ball Valve M1 2W DN80 PVC grey, PVCu solvent socket ends d110 metric PN16 EPDM PTFE EO, ER60 90-240VAC	7.30	1.00	124250	1445.48



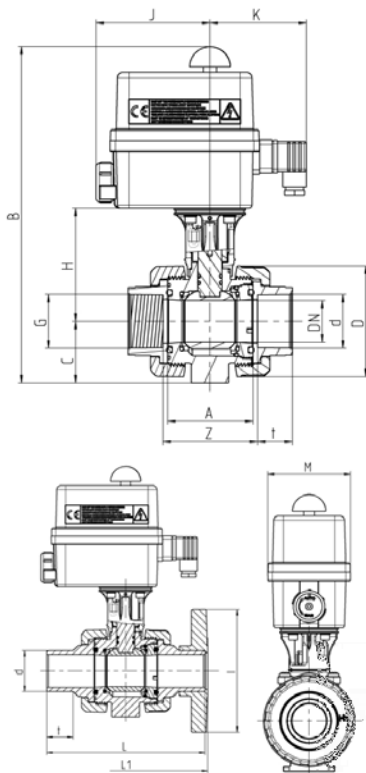
Incl. assembly hanger



Reliable buttress thread

OVERVIEW TECHNICAL DETAILS 2-WAY BALL VALVE M1 WITH ELECTRIC ACTUATOR ER20

Electric Actuator	
Typ	ER20
Torque	20Nm
Voltage 24 V Voltage 230 V	24V 50/60Hz (24V DC) 90 - 240 V 50/60 Hz (90-350V DC)
Manipulation time	13s
Demand	15W
ISO Connection	F03-F04-F05
Octagon	14
End switch	two end switches preset two indicators
Mechanical stop	90°
High duty cycle	30%
Pivoting angle	90°
Protection code	IP65
Ambiant temperature	up to +55°C
Weight	1 kg



DIMENSIONS

DN	10	15	20	25	32	40	50
d	16	20	25	32	40	50	63
Flange image	F04	F04	F04	F04	F05	F05	F05
G _{GM} ¹	3/8"	1/2"	3/4"	1"	1 1/4"	1 1/2"	2"
A	45	45	53,5	54	62	78	87
B	260	260	272,5	278	295	306	320,5
C	33	33	40	43	51	56	64
D	55,5	55,5	62	70	84	101	115
E	5,5	5,5	5,5	6,5	6,5	6,5	6,5
F	34	34	36	38	40	45	50
H	80	80	85,5	88	97	103	109,5
I	-	97	105	125	140	150	165
J	90	90	90	90	90	90	90
K	107	107	107	107	107	107	107
t _{KM} ²	16	16,5	19,5	23	26,5	31,5	38,5
t _{KS} ³	17	16,5	19,5	23	26,5	31,5	38,5
Z _{KM} ²	51	50	59,5	60	68,5	86	98
Z _{GM} ¹	48	50	60	60	68	87	98
L _{KS} ³	98	123,5	143,5	153,5	173,5	193,5	223,5
L1 _{FF} ⁴	-	130	150	160	180	200	230
M	92	92	92	92	92	92	92

Dimensions and technical data for DN65 – DN80/d110 with ER60 actuator on request.



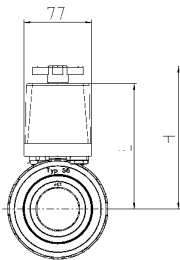
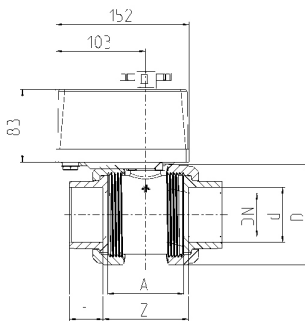
2-way ball valve S6 EO510 eco 230V AC/IND 12-24V AC/DC

TECHNICAL DATA

- IND 12-24V AC/DC manipulation time: 90° 12 sec
- Eco 230V AC manipulation time: 90° 22 sec
- Protection code: IP65, on-time: 60% / max. 20 min
- Input: P = 4 W / P max = 8 W
- CE standard
- Position indication
- Optic position indication
- Manual override
- Compact construction
- PN3

APPLICATION

- Private and public swimming pool and water treatment industry
- Natural pool and fish farming industry
- Irrigation and cooling systems
- Water attractions (fountains, water falls, ...)
- Control valve for jet streams



DIMENSIONS

DN	Ball valve PVC-U						actuator	
	d	A	D	t _{KM} ¹	Z	PN	E	H
32	40	77	101,5	26,5	87	3	138,5	159
40	50	77	101,5	31,5	87	3	138,5	159
50	63	87	115,3	38,5	99	3	143,5	164

Product	G-kg	PU	Prod.No.	Price €
PRICES 2-WAY BALL VALVE S6 EO510 IND 12-24V AC/DC				
Ball Valve S6 2W DN32 PVC grey PVCu solvent socket d40 metric PN3 EPDM PTFE EO510 IND 12-24V AC/DC	1.47	1.00	129804A	390.88
Ball Valve S6 2W DN40 PVC grey PVCu solvent socket d50 metric PN3 EPDM PTFE EO510 IND 12-24V AC/DC	1.49	1.00	129801A	397.08
Ball Valve S6 2W DN50 PVC grey PVCu solvent socket d63 metric PN3 EPDM PTFE EO510 IND 12-24V AC/DC	1.77	1.00	129802A	403.28
PRICES 2-WAY BALL VALVE S6 EO510 ECO 230V AC				
Ball Valve S6 2W DN32 PVC grey PVCu solvent socket d40 metric PN3 EPDM PTFE EO510 ECO 230VAC	2.35	1.00	126546	328.83
Ball Valve S6 2W DN40 PVC grey PVCu solvent socket d50 metric PN3 EPDM PTFE EO510 ECO 230VAC	2.51	1.00	126547	335.03
Ball Valve S6 2W DN50 PVC grey PVCu solvent socket d63 metric PN3 EPDM PTFE EO510 ECO 230VAC	2.54	1.00	126548	366.05



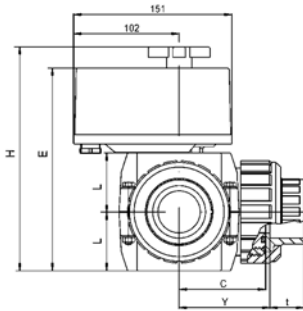
3-way ball valve S4 EO510 ECO EO510 230VAC

TECHNICAL DATA

- Manipulation time: 90° 22 sec
- Optical position indication
- Manual override
- Compact construction T-ball
- Chlorine- and sea water proof (corrosion-free)
- Protection code IP 65
- Electr. Position indication
- CE marking
- PN3

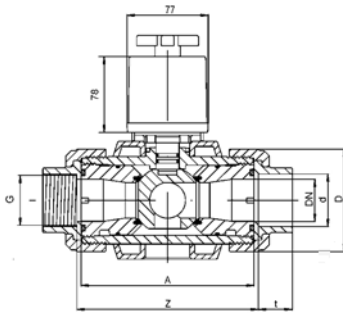
APPLICATION

- Private and public swimming pool and water treatment industry
- Natural pool- and fish farming industry
- Irrigation and cooling systems
- Water attractions (fountains, water falls, ...)
- Control valve for jet streams



DIMENSIONS

DN	d	Ball valve PVC-U								actuator			
		A	C	D	t_{KM^1 / KS^2}	Y	Z	Z1 KS^2	bar	E	H	K	L
10	16	100	50	53	16,5	53	106	153	10	196,5	216,5	38	33
15	20	100	50	53	16,5	53	106	163	10	196,5	216,5	38	33
20	25	120	60	70	20	63	126	-	10	216,5	236,5	38	43
25	32	120	60	70	22,5	63	126	200	10	216,5	236,5	38	43
32	40	162	81	101	27,5	84,5	169	-	3	205	225	-	56
40	50	162	81	101	31,5	85,5	171	261	3	205	225	-	56



Product	G-kg	PU	Prod.No.	Price €
Ball Valve S4 3W T-ball DN10 PVC grey PVCu solvent socket ends d16 metric PN10 EPDM PTFE EO510 ECO 230VAC	1.49	1.00	129594	408.62
Ball Valve S4 3W T-ball DN15 PVC grey PVCu solvent socket ends d20 metric PN10 EPDM PTFE EO510 ECO 230VAC	1.48	1.00	129602	408.62
Ball Valve S4 3W T-ball DN20 PVC grey PVCu solvent socket ends d25 metric PN10 EPDM PTFE EO510 ECO 230VAC	1.91	1.00	129610	409.87
Ball Valve S4 3W T-ball DN25 PVC grey PVCu solvent socket ends d32 metric PN10 EPDM PTFE EO510 ECO 230VAC	1.92	1.00	129280	409.87
Ball Valve S4 3W L-ball DN32 PVC grey PVCu solvent socket ends d40 metric PN3 EPDM PTFE EO510 ECO 230VAC	2.79	1.00	129628	495.34
Ball Valve S4 3W T-ball DN40 PVC grey PVCu solvent socket ends d50 metric PN3 EPDM PTFE EO510 ECO 230VAC	2.81	1.00	129630	450.56



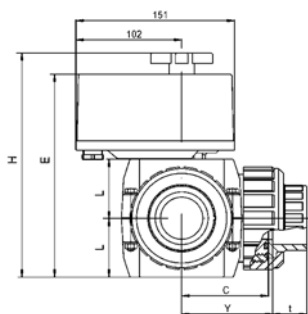
3-way ball valve S4 EO510 IND 12-24V AC/DC 50-60hz

TECHNICAL DATA

- IND 12-24V AC/DC manipulation time: 90° 12 sec
- Optical position indication
- Manual override
- Compact construction T-ball
- Chlorine- and sea water proof (corrosion-free)
- Protection code IP 65
- Electr. position indication
- CE marking
- PN3

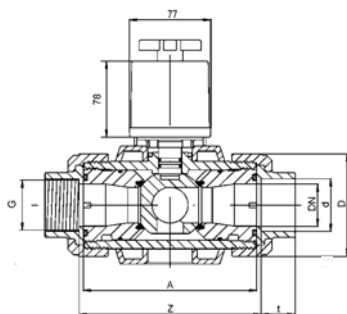
APPLICATION

- Private and public swimming pool and water treatment industry
- Natural pool and fish farming industry
- Irrigation and cooling systems
- Water attractions (fountains, water falls,)
- Control valve for jet streams



DIMENSIONS

Ball valve PVC-U										Actuator			
DN	d	A	C	D	t_{KM}^1 / KS^2	Y	Z	Z1 _{KS} ²	bar	E	H	K	L
10	16	100	50	53	16,5	53	106	153	10	196,5	216,5	38	33
15	20	100	50	53	16,5	53	106	163	10	196,5	216,5	38	33
20	25	120	60	70	20	63	126	-	10	216,5	236,5	38	43
25	32	120	60	70	22,5	63	126	200	10	216,5	236,5	38	43
32	40	162	81	101	27,5	84,5	169	-	3	205	225	-	56
40	50	162	81	101	31,5	85,5	171	261	3	205	225	-	56



Product	G-kg	PU	Prod.No.	Price €
Ball valve S4 3way T-ball DN10 PVC grey PVCu solvent socket ends d16 metric PN10 EPDM, PTFE EO510 IND 12-24V AC/DC - grey cover	1.62	1.00	129860	488.97
Ball valve S4 3way T-ball DN15 PVC grey PVCu solvent socket ends d20 metric PN10 EPDM, PTFE EO510 IND 12-24V AC/DC - grey cover	1.44	1.00	129864	488.97
Ball valve S4 3way T-ball DN20 PVC grey PVCu solvent socket ends d25 metric PN10 EPDM, PTFE EO510, IND 12-24V AC/DC - grey cover	1.94	1.00	129867	490.41
Ball valve S4 3way T-ball DN25 PVC grey PVCu solvent socket ends d32 metric PN10 EPDM, PTFE EO510 IND 12-24V AC/DC - grey cover	2.04	1.00	129871	490.41
Ball valve S4 3way T-ball DN32 PVC grey PVCu solvent socket ends d40 metric PN3 EPDM, PTFE EO510 IND 12-24V AC/DC - grey cover	2.76	1.00	129625A	449.58
Ball valve S4 3way T-ball DN40 PVC grey PVCu solvent socket ends d50 metric PN3 EPDM, PTFE EO510 IND 12-24V AC/DC - grey cover	1.28	1.00	129629A	450.56



SOLAR
TYPE

3-way ball valve S4 SOLAR IND 12–24 V AC/DC 50–60hz/eco 230V AC

TECHNICAL DATA

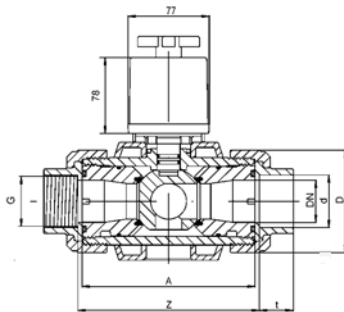
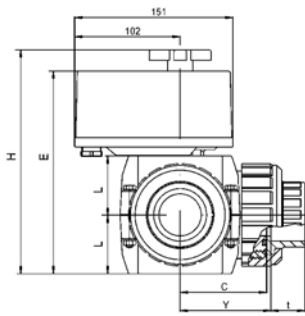
- IND 12–24 V AC manipulation time: 90° 12 sec
- Eco 230V AC manipulation time: 90° 22 sec
- Optical position indication
- Manual override
- Compact construction, T-ball
- Chlorine and sea water resistant (corrosion-free)
- Protection code IP 65 (EO510)
- Electr. position indication
- CE marking
- On-time: 60%/max. 20 min.

PATENTED PRESSURE VENTING SYSTEM

Small drill holes in the T-ball and in the pressure ring – ideal for pool solar application

APPLICATION

- In combination with all pool solar absorber systems (EPDM, PE, PP) and pool solar control possible



DIMENSIONS

Ball valve PVC-U										Actuator		
DN	d	G _{GM} 1	A	C	D	t _{KM} 2	Y _{GM} 1 / KM 2	Z _{GM} 1 / KM 2	bar	E	H	L
32	40	1 1/4"	162	81	101	27,5	85	170	3	205	225	56
40	50	1 1/2"	162	81	101	31,5	85	171	3	205	225	56
50	63	2"	181	90,5	124,5	38,5	96	192	3	221	241	65

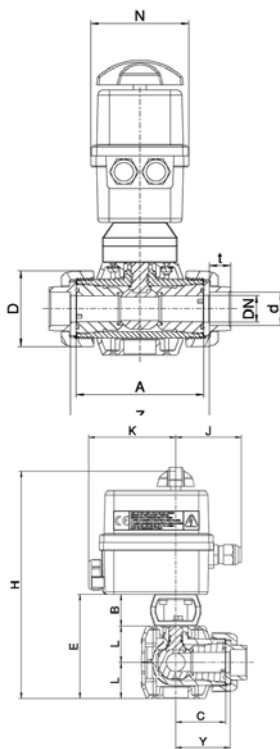
Product	G-kg	PU	Prod.No.	Price €
PRICES 3-WAY BALL VALVE S4 EO510 IND 12-24V AC/DC SOLAR				
Ball Valve S4 3W T-ball DN32 PVC grey PVCu solvent socket d40 metric PN3 EPDM tpe EO510 IND 12-24V AC/DC Solar	2.69	1.00	122635	475.02
Ball Valve S4 3W T-ball DN40 PVC grey PVCu solvent socket d50 metric PN3 EPDM tpe EO510 IND 12-24V AC/DC Solar	2.72	1.00	129791A	521.17
Ball Valve S4 3W T-ball DN50 PVC grey PVCu solvent socket d63 metric PN3 EPDM tpe EO510 IND 12-24V AC/DC Solar	3.77	1.00	122636	662.63
PRICES 3-WAY BALL VALVE S4 EO510 230V AC				
Ball Valve S4 3W T-ball DN32 PVC grey PVCu solvent socket d40 metric PN3 EPDM tpe EO510 ECO 230VAC Solar	2.72	1.00	120647	470.68
Ball Valve S4 3W T-ball DN40 PVC grey PVCu solvent socket d50 metric PN3 EPDM tpe EO510 ECO 230VAC Solar	3.84	1.00	120651	478.12
Ball Valve S4 3W T-ball DN50 PVC grey PVCu solvent socket d63 metric PN3 EPDM tpe EO510 ECO 230VAC Solar	3.79	1.00	120655	620.20



3-way ball valve S4 with electric actuator 24V/230V

TECHNICAL DATA

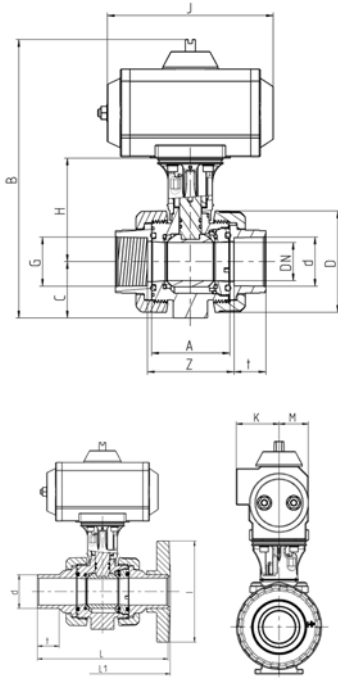
- Manipulation time: 12 sec.
- Protection code: IP66
- Current
- CE standard
- Position feedback signal
- Optic position indication
- Voltage:
15-30V 50/60Hz (12-48V DC), 100-240V 50/60Hz (100 – 350V DC)
- Double shaft sealing
- Anti-condensation system
- Manual override
- Compact construction
- PN16
- High switch on time: 50%
- Ambient temperature: -10°C up to +55°C
- Swing angle 360° clockwise



DIMENSIONS

Ball valve PVC-U											Antrieb				
DN	d	A	B	C	D	E	H	L	Y	Z	t	PN	J	K	N
10	16	100	38	50	53	105	257	33,5	53	106	16,5	16	79	107	92
15	20	100	38	50	53	105	257	33,5	53	106	16,5	16	79	107	92
20	25	120	38	60	70	122	274	42	63	126	20	16	79	107	92
25	32	120	38	60	70	122	274	42	63,5	126	22,5	16	79	107	92
32	40	162	48	81	101	160	312	56	84,5	169	27,5	16	79	107	92
40	50	162	48	81	101	160	312	56	85,5	171	31,5	16	79	107	92
50	63	181	48	90,5	124,5	178	330	65	96,5	192	38,5	16	79	107	92

Product	G-kg	PU	Prod.No.	Price €
PRICES 15-30 V AC				
Ball Valve S4 3W T-ball DN10 PVC grey PVCu solvent socket ends d16 metric PN16 EPDM PTFE ER20 15-30VAC GF4	2.03	1.00	124112	1515.03
Ball Valve S4 3W T-ball DN15 PVC grey PVCu solvent socket ends d20 metric PN16 EPDM PTFE ER20 15-30VAC GF4	2.02	1.00	124116	1515.03
Ball Valve S4 3W T-ball DN20 PVC grey PVCu solvent socket ends d25 metric PN16 EPDM PTFE ER20 15-30VAC GF4	2.36	1.00	124120	1566.57
Ball Valve S4 3W T-ball DN25 PVC grey PVCu solvent socket ends d32 metric PN16 EPDM PTFE ER20 15-30VAC GF4	2.38	1.00	124124	1566.57
Ball Valve S4 3W T-ball DN32 PVC grey PVCu solvent socket ends d40 metric PN16 EPDM PTFE ER20 15-30VAC GF4	3.72	1.00	124128	1306.75
Ball Valve S4 3W T-ball DN40 PVC grey PVCu solvent socket ends d50 metric PN16 EPDM PTFE ER20 15-30VAC GF4	3.75	1.00	124132	1411.39
Ball Valve S4 3W T-ball DN50 PVC grey PVCu solvent socket ends d63 metric PN16 EPDM PTFE ER20 15-30VAC GF4	4.66	1.00	124175	1344.87
PRICES 90-240 V AC				
Ball Valve S4 3W T-ball DN10 PVC grey PVCu solvent socket ends d16 metric PN16 EPDM PTFE ER20 90-240VAC GF4	2.03	1.00	124113	1515.03
Ball Valve S4 3W T-ball DN20 PVC grey PVCu solvent socket ends d25 metric PN16 EPDM PTFE ER20 90-240VAC GF4	2.36	1.00	124121	1566.57
Ball Valve S4 3W T-ball DN25 PVC grey PVCu solvent socket ends d32 metric PN16 EPDM PTFE ER20 90-240VAC GF4	2.38	1.00	124125	1566.57
Ball Valve S4 3W T-ball DN32 PVC grey PVCu solvent socket ends d40 metric PN16 EPDM PTFE ER20 90-240VAC GF4	3.72	1.00	124129	1306.75
Ball Valve S4 3W T-ball DN40 PVC grey PVCu solvent socket ends d50 metric PN16 EPDM PTFE ER20 90-240VAC GF4	3.71	1.00	124133	1312.96
Ball Valve S4 3W T-ball DN50 PVC grey PVCu solvent socket ends d63 metric PN16 EPDM PTFE ER20 90-240VAC GF4	4.60	1.00	124176	1344.87



Automatic 2way ball valve M1 with pneumatic actuator

PO-NC spring pressure closed, PO-NO spring pressure opened, PO-DA double acting

DIMENSIONS

DN	10	15	20	25	32	40	50
d	16	20	25	32	40	50	63
Flange Image	F04	F04	F04	F04	F05	F05	F05
G _{GM} ¹	3/8"	1/2"	3/4"	1"	1 1/4"	1 1/2"	2"
A	45	45	53,5	54	62	78	87
C	33	33	40	43	51	56	64
D	55,5	55,5	62	70	84	101	115
E	5,5	5,5	5,5	6,5	6,5	6,5	6,5
F	34	34	36	38	40	45	50
H	80	80	85,5	88	97	103	109,5
I	-	97	105	125	140	150	165
t _{KM} ²	16	16,5	19,5	23	26,5	31,5	38,5
Z _{KM} ²	51	50	59,5	60	68,5	86	98
L _{KS} ³	98	123,5	143,5	153,5	173,5	193,5	223,5
L1 _{FF} ⁴	-	130	150	160	180	200	230
B	214	214	226,5	232	269	280	294,5
J	119	119	119	119	165	165	165
K	40	40	40	40	50	50	50
M	27	27	27	27	35	35	35
B	214	214	226,5	232	269	280	294,5
J	119	119	119	119	165	165	197
K	40	40	40	40	50	50	50
M	27	27	27	27	35	35	35

Product	G-kg	PU	Prod.No.	Price €
PO-NC				
Ball Valve M1 2W DN10 PVC grey PVCu solvent socket d16 metric PN16 EPDM PTFE PO-NC UT05-2	1.19	1.00	124028	365.01
Ball Valve M1 2W DN15 PVC grey PVCu solvent socket d20 metric PN16 EPDM PTFE PO-NC UT05-2	1.19	1.00	124029	367.52
Ball Valve M1 2W DN20 PVC grey PVCu solvent socket d25 metric PN16 EPDM PTFE PO-NC UT05-2	1.32	1.00	124030	377.10
Ball Valve M1 2W DN25 PVC grey PVCu solvent socket d32 metric PN16 EPDM PTFE PO-NC UT05-2	1.36	1.00	124031	390.68
Ball Valve M1 2W DN32 PVC grey PVCu solvent socket d40 metric PN16 EPDM PTFE PO-NC UT15-4	2.85	1.00	124032	630.19
Ball Valve M1 2W DN40 PVC grey PVCu solvent socket d50 metric PN16 EPDM PTFE PO-NC UT15-4	3.20	1.00	124033	657.52
Ball Valve M1 2W DN50 PVC grey PVCu solvent socket d63 metric PN16 EPDM PTFE PO-NC UT17-4	3.99	1.00	124034	736.19
Ball Valve M1 2W DN65 PVC grey PVCu solvent socket ends d75 metric PN16 EPDM PTFE PO-NC UT30-4	8.34	1.00	124257	957.34
Ball Valve M1 2W DN80 PVC grey PVCu solvent socket ends d90 metric PN16 EPDM PTFE PO-NC UT35-4	14.01	1.00	124258	1016.36
Ball Valve M1 2W DN80 PVC grey PVCu solvent socket ends d110 metric PN16 EPDM PTFE PO-NC UT35-4	14.10	1.00	124259	1101.63
PO-NO				
Ball Valve M1 2W DN10 PVC grey PVCu solvent socket d16 metric PN16 EPDM PTFE PO-NO UT05-2	1.18	1.00	124042	365.01
Ball Valve M1 2W DN15 PVC grey PVCu solvent socket d20 metric PN16 EPDM PTFE PO-NO UT05-2	1.19	1.00	124043	367.52
Ball Valve M1 2W DN20 PVC grey PVCu solvent socket d25 metric PN16 EPDM PTFE PO-NO UT05-2	1.32	1.00	124044	377.10
Ball Valve M1 2W DN25 PVC grey PVCu solvent socket d32 metric PN16 EPDM PTFE PO-NO UT05-2	1.36	1.00	124045	390.68
Ball Valve M1 2W DN32 PVC grey PVCu solvent socket d40 metric PN16 EPDM PTFE PO-NO UT15-4	2.85	1.00	124046	630.19
Ball Valve M1 2W DN40 PVC grey PVCu solvent socket d50 metric PN16 EPDM PTFE PO-NO UT15-4	3.18	1.00	124047	657.52
Ball Valve M1 2W DN50 PVC grey PVCu solvent socket d63 metric PN16 EPDM PTFE PO-NO UT17-4	3.97	1.00	124048	736.19
Ball Valve M1 2W DN65 PVC grey PVCu solvent socket ends d75 metric PN16 EPDM PTFE PO-NO UT30-4	8.34	1.00	124268	957.34
Ball Valve M1 2W DN80 PVC grey PVCu solvent socket ends d90 metric PN16 EPDM PTFE PO-NO UT35-4	14.01	1.00	124269	1016.36
Ball Valve M1 2W DN80 PVC grey PVCu solvent socket ends d110 metric PN16 EPDM PTFE PO-NO UT35-4	14.10	1.00	124270	1101.63

Product	G-kg	PU	Prod.No.	Price €
PO-DA				
Ball Valve M1 2W DN10 PVC grey PVCu solvent socket ends d16 metric PN16 EPDM PTFE PO-DA UT05DA	1.24	1.00	124056	335.56
Ball Valve M1 2W DN15 PVC grey PVCu solvent socket ends d20 metric PN16 EPDM PTFE PO-DA UT05DA	1.23	1.00	124057	338.04
Ball Valve M1 2W DN20 PVC grey PVCu solvent socket ends d25 metric PN16 EPDM PTFE PO-DA UT05DA	1.33	1.00	124058	347.62
Ball Valve M1 2W DN25 PVC grey PVCu solvent socket ends d32 metric PN16 EPDM PTFE PO-DA UT05DA	1.37	1.00	124059	361.20
Ball Valve M1 2W DN32 PVC grey PVCu solvent socket ends d40 metric PN16 EPDM PTFE PO-DA UT15DA	2.46	1.00	124060	509.18
Ball Valve M1 2W DN40 PVC grey PVCu solvent socket ends d50 metric PN16 EPDM PTFE PO-DA UT15DA	2.79	1.00	124061	536.50
Ball Valve M1 2W DN50 PVC grey PVCu solvent socket ends d63 metric PN16 EPDM PTFE PO-DA UT15DA	3.14	1.00	124062	562.71
Ball Valve M1 2W DN65 PVC grey PVCu solvent socket ends d75 metric PN16 EPDM PTFE	0.00	1.00	124274	872.00
Ball Valve M1 2W DN80 PVC grey PVCu solvent socket ends d90 metric PN16 EPDM PTFE	0.00	1.00	124275	928.00
Ball Valve M1 2W DN80 PVC grey PVCu solvent socket ends d110 metric PN16 EPDM PTFE	0.00	1.00	124276	1012.00
SOLENOID VALVE 5/2 + 3/2 WAY FoR PNEUM. ACTUATOR				
Solenoid Valve for pneumatic actuators 5/2+3/2-way Namur-flange G1/4" IP65 24V DC	0.38	1.00	50062	193.80
Solenoid Valve for pneumatic actuators 5/2+3/2-way Namur-flange G1/4" IP65 230VAC	0.38	1.00	50061	244.19
Flow control silencer 1/8"				
Flow control silencer 1/8"	0.03	1.00	50716	35.61
Silencer				
Silencer 1/8"	0.01	1.00	50890	15.57
Elect.position indicator for pneumatic actuators				
Elect.position indicator for pneumatic actuators PA IP65 UT MVO 12-230V AC/DC 2 limit switches additional	0.37	1.00	50914	218.79



Automatic butterfly valve



Automatic butterfly valve K4 24V AC/DC (ER)

TECHNICAL DATA

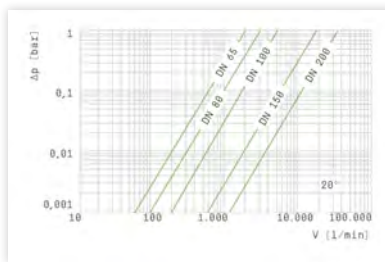
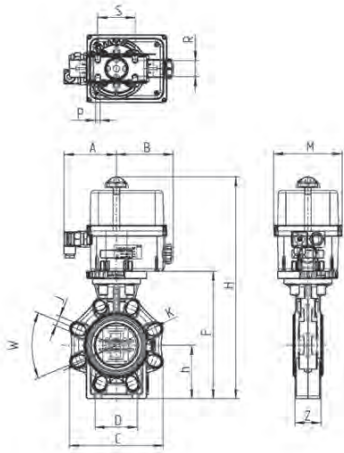
- Operation pressure: PN10
- Body made of PP-GF
- Direct installation of the actuator without any additional adapter or screws
- Mechanical limit stops
- Manual override
- Position indication
- Torque and force limiters
- Only sealing flange and disc in contact with medium
- fix point mounting

ELECTRIC ACTUATOR (ER)

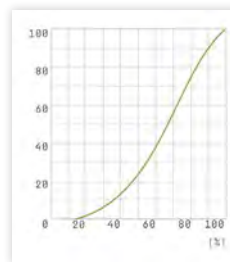
- Plastic body
- Power input up to 45W
- 4 end switch adjustable
- swing able 90° (180°)
- On-time 30%
- Protection code IP65
- Ambient temperature -10°C +55°C
- ISO connection F05 - F07 octagonal screw 22 mm

DIMENSIONS

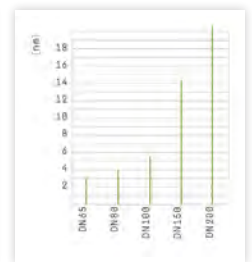
	DN	d	G	D	C	W	J	K	H	h	A	B	M	N	Z	S	R	P	F	E
ER 35	65	75	2,5"	65	33	90°	19	127	409	100	98	107	128	-	46	55	25	7	232	-
		(63)						-145												
ER 60	80	90	3"	80	76	45°	19	146	16	00	98	107	128	-	49	70	30	9	239	-
								-160												
ER 60	100	10	4"	100	06	45°	19	175	46	15	98	107	128	-	56	85	35	9	269	-
								-190,5												



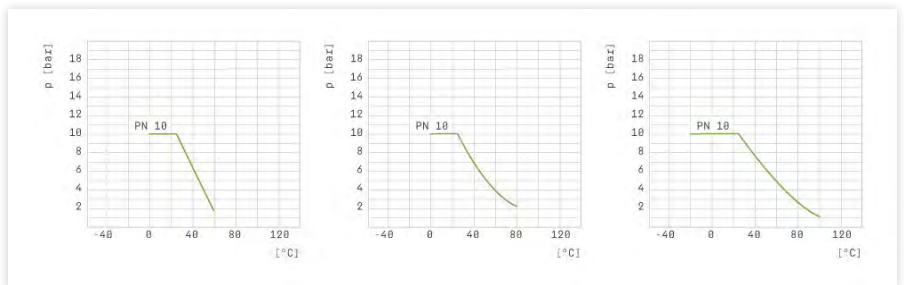
Flow pressure loss



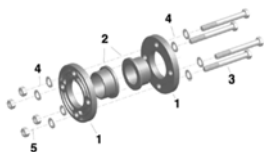
Flow characteristics



Torque



Pressure Temperature



Prices flange set on page 208

Product	G-kg	PU	Prod.No.	Price €
Butterfly Valve K4 DN65 PVC grey flange-connection d63 PN10 EPDM ER35 24V AC/DC	3.32	1.00	128570	1270.72
Butterfly Valve K4 DN65 PVC grey flange connection 75 - 2 1/2" DIN-ANSI-JIS-BS PN10 EPDM ER35 24V AC/DC	3.32	1.00	128507	1046.06
Butterfly Valve K4 DN80 PVC grey flange connection 90 - 3" DIN-ANSI-JIS-BS PN10 EPDM ER60 24V AC/DC	2.90	1.00	128509	1198.69
Butterfly Valve K4 DN100 PVC grey flange connection 110 - 4" DIN-ANSI-JIS-BS PN10 EPDM ER60 24V AC/DC	4.21	1.00	128511	1209.84
Butterfly Valve K4 DN125 PVC grey flange connection 140-5" DIN-ANSI-JIS-BS PN10 EPDM ER100 24V AC/DC	5.01	1.00	128770	1563.51
Butterfly Valve K4 DN150 PVC grey flange connection 160 - 6" DIN-ANSI-JIS-BS PN10 EPDM VS150 24V AC/DC	9.39	1.00	128513	2181.46
Butterfly Valve K4 DN200 PVC grey flange connection 225 - 8" DIN-ANSI-JIS-BS PN10 EPDM VS300 24V AC/DC	11.84	1.00	128515	2188.51



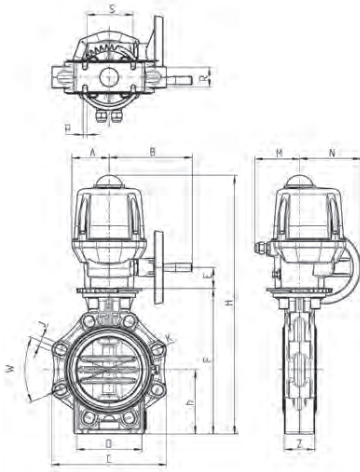
Automatic butterfly valve K4 90-240VAC

TECHNICAL DATA

- Operation pressure: PN 10
- Body made of: PP-GF
- Direct installation of the actuator without any additional adapter or screws
- Mechanical limit stops
- Manual override
- Position indication
- Torque and force limiters
- Only sealing flange and disc in contact with medium
- fix point mounting

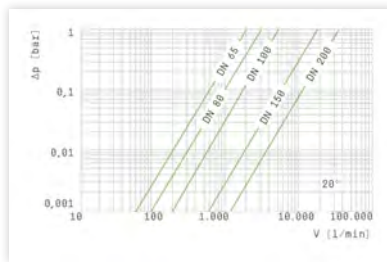
ELECTRIC ACTUATOR (ER)

- Plastic-aluminium body
- Power input up to 85W
- 4 end switch adjustable
- Swing able 90° (180°)
- On-time 50%
- Protection code IP67
- Ambient temperature -20 °C +70 °C
- ISO connection F07 – F10 octagonal screw 22 mm

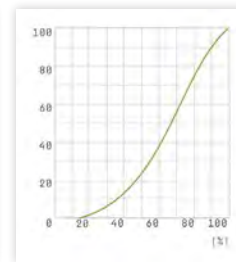


DIMENSIONS

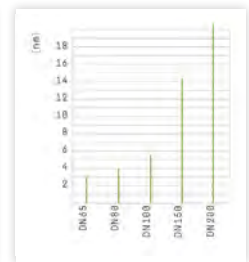
	DN	d	G	D	C	W	J	K	H	h	A	B	M	N	Z	S	R	P	F	E
VS 150	150	160	6"	150	261	45°	23	234,5	591	147,5	85	190	94	140	70	110	45	9	333	48
VS 150								-241,3												
VS 300	200	225	8"	200	314	45°	23	290	653	175	85	190	94	140	71	145	40	9	395	48
VS 300								-298,5												



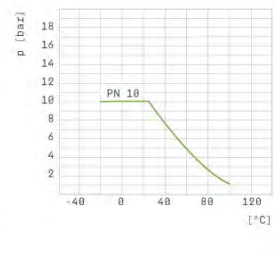
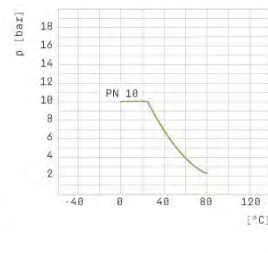
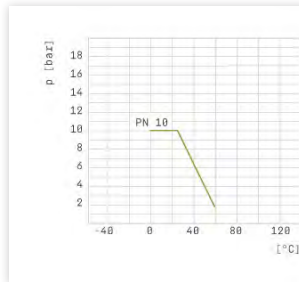
Flow pressure loss



Flow characteristics

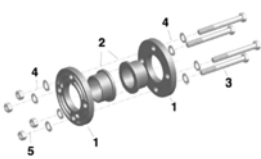


Torque



Pressure temperature

Product	G-kg	PU	Prod.No.	Price €
Butterfly Valve K4 DN65 PVC grey Flange-connection d63 PN10 EPDM ER35 90-240VAC	3.32	1.00	128571	1270.76
Butterfly Valve K4 DN65 PVC grey Flange-connection 75-2 1/2" DIN-ANSI-JIS-BS PN10 EPDM ER35 90-240VAC	3.32	1.00	128506	1046.06
Butterfly Valve K4 DN80 PVC grey Flange-connection 90-3" DIN-ANSI-JIS-BS PN10 EPDM ER60 90-240VAC	2.90	1.00	128508	1198.69
Butterfly Valve K4 DN100 PVC grey Flange-connection 110-4" DIN-ANSI-JIS-BS PN10 EPDM ER60 90-240VAC	4.21	1.00	128510	1209.84
Butterfly Valve K4 DN125 PVC grey Flange-connection 140-5" DIN-ANSI-JIS-BS PN10 EPDM ER100 90-240VAC	5.01	1.00	128772	1563.51
Butterfly Valve K4 DN150 PVC grey Flange-connection 160-6" DIN-ANSI-JIS-BS PN10 EPDM VS150 100-240 VAC	9.39	1.00	128512	2181.46
Butterfly Valve K4 DN200 PVC grey Flange-connection 225-8" DIN-ANSI-BS PN10 EPDM VS300 100-240 VAC	11.84	1.00	128514	2657.95



Prices flange set on page 208

Automatic butterfly valve K4 with pneumatic actuator

PO-NC spring pressure closed, PO-NO spring pressure opened, PO-DA double acting

TECHNICAL DATA

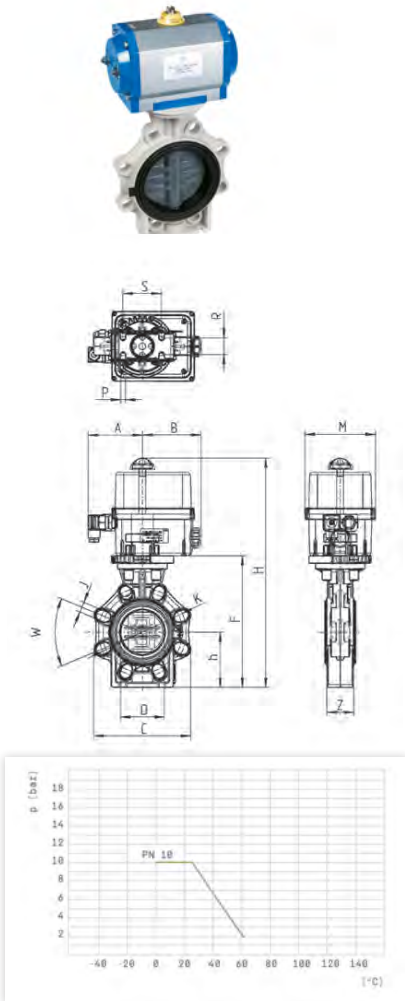
- Operation pressure: PN 10
- Best pressure and temperature resistance
- Optical position indication
- Manual override
- Solid butterfly body
- Resistant sealing system (chlorine- and sea water resistant, corrosionfree)
- Multi purpose flange drilling (ANSI, DIN, JIS)
- Short manipulation time
- Comprehensive accessories: solenoid valves, electr. position indicators, 4–20 mA position control available

PNEUMATIC ACTUATOR

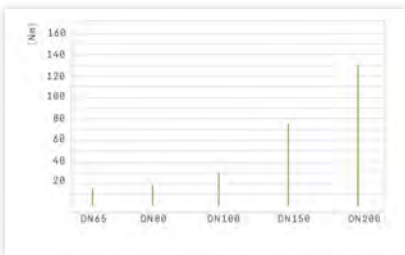
- 2 counter acting pistons over gear rack, elastic sealing
- Body aluminium anodized, lid: aluminium epoxide resin, coated, screws and nuts: stainless steel
- Ambient temperature: -20 °C bis +80 °C
- Control air: filtered air acc. PNEUROP/ISO class 4
- Installation position: optional
- Control functions / control pressure: DA: double acting / min 5.5 bar – max 10 bar, SR: single acting / min 5.5 bar – max 8 bar
- Swivel angle: 90°, end position adjustable on both sides -10° up to +10°
- Fixing: actuator valve: ISO 5211, actuator control valve: NAMUR (VDI/VDE3845), actuator signal device: NAMUR (VDI/VDE3845)
- Accessories: end switch box, 3/2 and 5/2 solenoid valve

DIMENSIONS

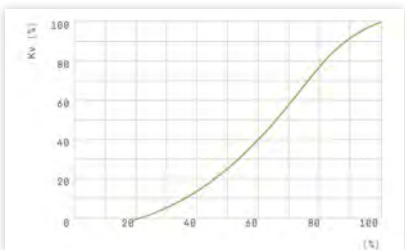
DN	d	G	W	J	K	D	C	Z	S	R	P	h	F	PN
	mm		°	mm	mm	mm	mm	mm	mm	mm	mm	mm	mm	bar
65	75	2,5"	90	19	127–145	65	133	46	55	25	7	100	232	10
80	90	3"	45	19	146–160	80	176	49	70	30	9	100	239	10
100	110	4"	45	19	175–190,5	100	206	56	85	35	9	115	269	10
150	160	6"	45	23	234,5–241,5	150	261	70	110	45	9	147,5	333	10
200	225	8"	45	23	290–298,5	200	314	71	145	40	9	175	395	10



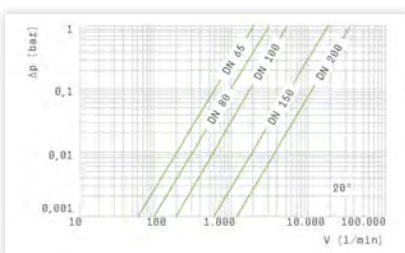
Pressure Temperature



Torque

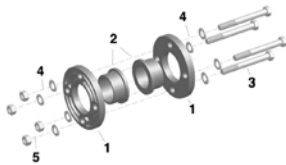


Flow characteristics



Flow pressure loss

Product	G-kg	PU	Prod.No.	Price €
PO-NC				
Butterfly Valve K4 DN65 PVC grey flange connection 75 - 2 1/2" DIN-ANSI-JIS-BS PN10 EPDM PO-NC UT25-4	5.65	1.00	125885	595.62
Butterfly Valve K4 DN80 PVC grey flange connection 90 - 3" DIN-ANSI-JIS-BS PN10 EPDM PO-NC UT30-4	6.21	1.00	125886	684.96
Butterfly Valve K4 DN100 PVC grey flange connection 110 - 4" DIN-ANSI-JIS-BS PN10 EPDM PO-NC UT35-4	11.01	1.00	125887	871.09
Butterfly Valve K4 DN125 PVC grey flange connection 140 - 5" DIN-ANSI-JIS-BS PN10 EPDM PO-NC UT40-5	13.31	1.00	128766	1057.23
Butterfly Valve K4 DN150 PVC grey flange connection 160 - 6" DIN-ANSI-JIS-BS PN10 EPDM PO-NC UT45-5	18.33	1.00	125888	1261.97
Butterfly Valve K4 DN200 PVC grey flange connection 225 - 8" DIN-ANSI-JIS-BS PN10 EPDM PO-NC UT50-5	30.18	1.00	125889	1920.88
PO-NO				
Butterfly Valve K4 DN65 PVC grey flange connection 75 - 2 1/2" DIN-ANSI-JIS-BS PN10 EPDM PO-NO UT25-4	5.65	1.00	125935	595.62
Butterfly Valve K4 DN80 PVC grey flange connection 90 - 3" DIN-ANSI-JIS-BS PN10 EPDM PO-NO UT30-4	6.21	1.00	125936	561.38
Butterfly Valve K4 DN100 PVC grey flange connection 110 - 4" DIN-ANSI-JIS-BS PN10 EPDM PO-NO UT35-4	11.01	1.00	125937	871.09
Butterfly Valve K4 DN125 PVC grey flange connection 140 - 5" DIN-ANSI-JIS-BS PN10 EPDM PO-NO UT40-5	13.31	1.00	128767	1057.23
Butterfly Valve K4 DN150 PVC grey flange connection 160 - 6" DIN-ANSI-JIS-BS PN10 EPDM PO-NO UT45-4	18.33	1.00	125938	1261.97
Butterfly Valve K4 DN200 PVC grey flange connection 225 - 8" DIN-ANSI-JIS-BS PN10 EPDM PO-NO UT50-4	29.43	1.00	125939	1920.88
PO-DA				
Butterfly Valve K4 DN65 PVC grey flange connection 75 - 2 1/2" DIN-ANSI-JIS-BS PN10 EPDM PO-DA UT17DA	3.70	1.00	125910	446.72
Butterfly Valve K4 DN80 PVC grey flange connection 90 - 3" DIN-ANSI-JIS-BS PN10 EPDM PO-DA UT20DA	3.62	1.00	125911	521.17
Butterfly Valve K4 DN100 PVC grey flange connection 110 - 4" DIN-ANSI-JIS-BS PN10 EPDM PO-DA UT25DA	6.08	1.00	125912	573.29
Butterfly Valve K4 DN125 PVC grey flange connection 140 - 5" DIN-ANSI-JIS-BS PN10 EPDM PO-DA UT30DA	7.72	1.00	128768	789.20



Product	G-kg	PU	Prod.No.	Price €
Butterfly Valve K4 DN150 PVC grey flange connection 160 - 6" DIN-ANSI-JIS-BS PN10 EPDM PO-DA UT35 DA	0.00	1.00	125913	926.94
Butterfly Valve K4 DN200 PVC grey flange connection 225 - 8" DIN-ANSI-JIS-BS PN10 EPDM PO-DA UT40DA	15.23	1.00	125914	1198.69
Solenoid Valve 5/2+3/2-way for pneumatic actuators				
Solenoid Valve for pneumatic actuators 5/2+3/2-way Namur-flange G1/4" IP65 24VAC	0.38	1.00	50062	193.80
Solenoid Valve for pneumatic actuators 5/2+3/2-way Namur-flange G1/4" IP65 230VAC	0.38	1.00	50061	244.19
Throttle silencer				
Throttle silencer 1/8"	0.03	1.00	50716	35.61
Silencer				
Silencer 1/8"	0.01	1.00	50890	15.57
Elect.position indicator for pneumatic actuators				
Elect.position indicator for pneumatic actuators PA IP65 UT MVO 12-230V AC/DC 2 limit switches additional	0.37	1.00	50914	218.79
PVC flange set (DIN PN10)				
Flange set for Butterfly Valve K4 DN65 PVC grey 63 - 2" DIN PN10 (screw set zonc coated)	2.44	1.00	142166	68.42
Flange set for Butterfly Valve K4 DN65 PVC grey 75 - 2 1/2" DIN PN10 (screw set zonc coated)	2.73	1.00	142167	87.87
Flange set for Butterfly Valve K4 DN80 PVC grey 90 - 3" DIN PN10 (screw set zonc coated)	4.70	1.00	142168	143.79
Flange set for Butterfly Valve K4 DN100 PVC grey 110 - 4" DIN PN10 (screw set zonc coated)	4.89	1.00	142169	180.67
Flange set for Butterfly Valve K4 DN125 PVC grey 140 - 5" DIN PN10 (screw set zonc coated)	6.24	1.00	142170	206.48
Flange set for Butterfly Valve K4 DN150 PVC grey 160 - 6" DIN PN10 (screw set zonc coated)	9.49	1.00	142171	339.24
Flange set for Butterfly Valve K4 DN200 PVC grey 225 - 8" DIN PN10 (screw set zonc coated)	11.84	1.00	142172	438.76

Automatic diaphragm valve



Automatic diaphragm valve T4 with pneumatic actuator

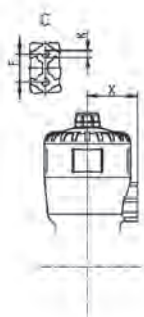
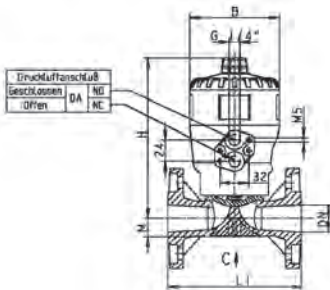
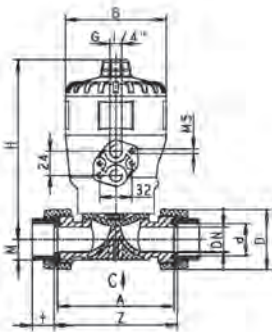
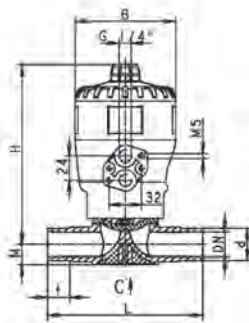
PO-NC spring pressure closed, PO-NO spring pressure opened, PO-DA double acting

TECHNICAL DATA

- High pressure and temperature resistance
- Optical position indication
- Robust actuator body
- Resistant sealing system (chlorine- and sea water resistant, corrosion-free)
- Short manipulation time
- Comprehensive accessories:
 - solenoid valves, elctr. position indicator, 4-20 mA position control

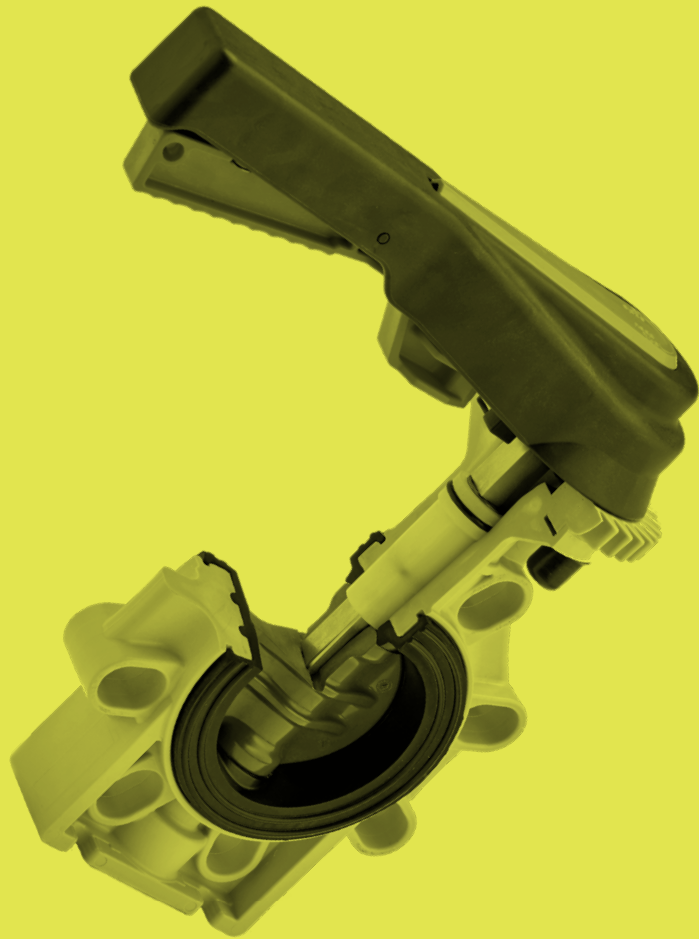
DIMENSIONS

d	DN	G	A	D	F	K	L	L1	M	t	Z
mm	mm	Zoll	mm	mm	mm	mm	mm	mm	mm	mm	mm
20	15	½"	90	43	25	M6	124	130	17	16	96
25	20	¾"	108	53	25	M6	144	150	17	19	114
32	25	1"	116	60	25	M6	154	160	21	22	122
40	32	1¼"	136	74	45	M8	174	180	33	26	142
50	40	1½"	154	83	45	M8	194	200	33	31	160
63	50	2"	184	103	45	M8	224	230	40,5	38	190

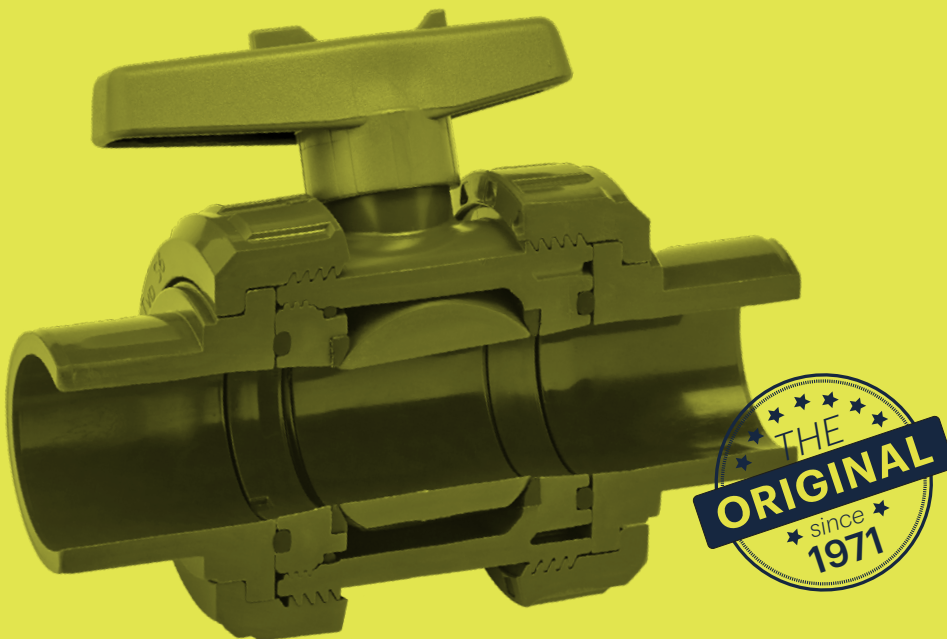


Product	G-kg	PU	Prod.No.	Price €
PO-NC				
Diaphragm Valve T4 DN15 PVC grey union/PVCu solvent socket d20 metric PN10 EPDM EPDM PO-NC K62	1.10	1.00	125616	331.31
Diaphragm Valve T4 DN20 PVC grey union/PVCu solvent socket d25 metric PN10 EPDM EPDM PO-NC K62	1.09	1.00	125619	338.77
Diaphragm Valve T4 DN25 PVC grey union/PVCu solvent socket d32 metric PN10 EPDM EPDM PO-NC K82	1.91	1.00	125622	476.50
Diaphragm Valve T4 DN32 PVC grey union/PVCu solvent socket d40 metric PN10 EPDM EPDM PO-NC K122	6.89	1.00	125625	621.67
Diaphragm Valve T4 DN40 PVC grey union/PVCu solvent socket d50 metric PN10 EPDM EPDM PO-NC K122	6.98	1.00	125628	625.40
Diaphragm Valve T4 DN50 PVC grey union/PVCu solvent socket d63 metric PN10 EPDM EPDM PO-NC K123	7.60	1.00	125631	733.35
PO-NO				
Diaphragm Valve T4 DN15 PVC grey PVCu union solvent socket ends d20 metric PN10 EPDM EPDM PO-NO K62	1.04	1.00	125642	205.09
Diaphragm Valve T4 DN15 PVC grey PVCu union solvent socket ends d20 metric PN10 FPM fpm PO-NO K62	1.10	1.00	125643	351.73
Diaphragm Valve T4 DN20 PVC grey PVCu union solvent socket ends d25 metric PN10 EPDM EPDM PO-NO K62	0.86	1.00	125644	209.41
Diaphragm Valve T4 DN25 PVC grey PVCu union solvent socket ends d32 metric PN10 EPDM EPDM PO-NO K82	1.87	1.00	125645	294.37
Diaphragm Valve T4 DN32 PVC grey PVCu union solvent socket ends d40 metric PN10 EPDM EPDM PO-NO K122	6.73	1.00	125646	385.53
Diaphragm Valve T4 DN40 PVC grey PVCu union solvent socket ends d50 metric PN10 EPDM EPDM PO-NO K122	6.82	1.00	125647	387.97
Diaphragm Valve T4 DN50 PVC grey PVCu union solvent socket ends d63 metric PN10 EPDM EPDM PO-NO K123	7.51	1.00	125648	453.23
PO-DA				
Diaphragm Valve T4 DN15 PVC grey union/PVCu solvent socket d20 metric PN10 EPDM EPDM PO-DA K62	0.84	1.00	125635	282.91
Diaphragm Valve T4 DN20 PVC grey union/PVCu solvent socket d25 metric PN10 EPDM EPDM PO-DA K62	1.09	1.00	125636	286.64
Diaphragm Valve T4 DN25 PVC grey union/PVCu solvent socket d32 metric PN10 EPDM EPDM PO-DA K82	1.37	1.00	125637	405.76
Diaphragm Valve T4 DN32 PVC grey union/PVCu solvent socket d40 metric PN10 EPDM EPDM PO-DA K122	6.89	1.00	125638	528.61
Diaphragm Valve T4 DN40 PVC grey union/PVCu solvent socket d50 metric PN10 EPDM EPDM PO-DA K122	7.00	1.00	125639	532.32
Diaphragm Valve T4 DN50 PVC grey union/PVCu solvent socket d63 metric PN10 EPDM EPDM PO-DA K123	7.51	1.00	125640	621.67

Butterfly valve K4
for a non-directional flow



DESIGNED
ENGINEERED &
MADE IN AUSTRIA



2-way ball valve S6
with your brand and handle in personalized colours.

PVC PRODUCTS & SOLVENT CEMENTS

214 | Valves

247 | Pipes

253 | Fittings

281 | Solvents, cleaner

285 | FlexFit fittings

292 | Peraqua FlexFit hoses



OUR GREEN RESPONSE

OUR PVC IS NOT THE SAME AS PVC

During production of Praher Plastics® and IBG® PVC products we completely refrain from using environmentally hazardous or even suspected harmful to health additives. This is subject to our environmental-friendly production under particular strict criteria.

The possible dismantling of all products into the smallest components is important to us. Thus individual parts can be sorted out in respect of wearing and separability. Doing so we can ensure a material optimized disposal or/and an environmental saving recycling. Summing up we can guarantee a gentle use of all resources.

A comprehensive spare parts warranty (for Praher® products up to 10 years) and an above-average lifetime through high quality materials enables a long-term usability.

Our FlexFit® series products are designed for a glue-free connecting between PVC Flex fittings and hoses, an important aspect in order to have a gentle handling with humans and the environment.

page 289

SUSTAINABLE PLASTIC



PVC-U

PVC-U (unplasticized PVC or rigid PVC) is made without the addition of plasticizers. PVC-U is a thermoplastic with a wide range of applications with a very good chemical, corrosion and weather resistance. PVC-U parts are further also suitable for contact with drinking water and foods, as they are proven physiologically harmless.

SEALING MATERIALS OF PRAHER PLASTICS® AND IBG® PRODUCTS

PTFE

PTFE, known under the trade name Teflon, is a thermoplastic material of milky white color that feels waxy. Due to its special material properties, it occupies a unique position compared to other thermoplastics. In addition to its excellent chemical properties, PTFE has a very good sliding behavior.

EPDM

EPDM (short for ethylene-propylene-diene rubber) refers to a class of high-quality plastics or synthetic rubbers. EPDM is characterized by a very high resistance to many external influences. It is primarily used as a weather-resistant sealing film, but is also used for the production of insulation boards, hoses, seals and filling material. EPDM is resistant to most swimming pool chemicals.

PE

Polyethylene belongs to the group of polyolefins and is partially crystalline and nonpolar. It is by far the most widely used (standard) plastic worldwide. All types of polyethylene are characterized by high chemical resistance, good electrical insulation and a good sliding behavior, but the mechanical properties are only moderate compared to other plastics.

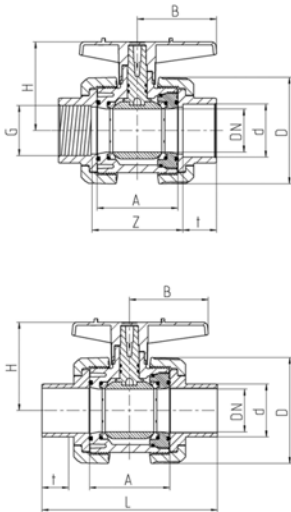
FPM

Fluororubber = FPM has excellent resistance to high temperatures, ozone, oxygen, mineral oils, synthetic hydraulic fluids, fuels, aromatics, many organic solvents and chemicals.

The gas permeability is low and similar to that of butyl rubber. Special FPM compounds have higher resistance to acids, fuels, water and water vapor.



Symbol image ball valve S6 with PVC solvent socket on request



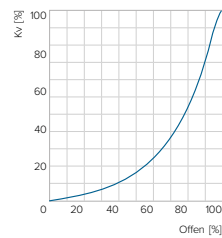
2-way ball valve S6

- Housing secured on both sides
- Up to +60 °C
- Best flow flow rates due to non-reduced diameter
- High durability due to ball seating ring made of PTFE or PE
- Low weight
- Radial installation and disassembly
- Double shaft sealing
- UV resistant
- Corrosion-free
- 100% functional and leaktest
- Available in all common connection types

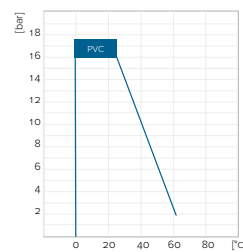
DIMENSIONS

DN	10	15	20	25	32	40	50	65	80	80
d	16	20	25	32	40	50	63	75	90	110
G _{GM} ¹	3/8"	1/2"	3/4"	1"	1 1/4"	1 1/2"	2"	2 1/2"	3"	4"
A	44,5	44,5	50	52,5	61	77	87	110	136	136
B	42,5	42,5	55	55	65	75	75	111	133,5	133,5
D	55,5	55,5	62	70	87	101,5	115,5	144,5	180,5	180,5
H	47	47	53	55,5	76	88,5	98	126	150,5	150,5
t _{KM} ²	16,5	16,5	19,5	22,5	26,5	31,5	38,5	45	56,5	61
t _{KS} ³	17	17	20	22,5	26,5	31,5	38,5	45	54	-
t _{SS} ⁴ PE	13	14,5	15,5	18,5	15,5	29	31	32	30	-
t _{SM} ⁵ PE	14,5	16	17	19,5	22	25	29	31,5	38	42
Z _{KM} ²	51	49	56	58	68	85	98	121	153	162
Z _{GM} ¹	50	50	57	60	67	86	98	123	156	-
Z _{SM} ⁵ PE	54	51	60	64	75	97	115	138	182	186
L _{KS} ³	98	107	125	133	151	176	201	260	297	-
L _{SS} ⁴ PE	95	105	123	130	119	162	175	226	266	-
PN _{PVC}	16	16	16	16	16	16	16	16	16	16
PN _{PE}	16	16	16	16	16	16	16	16	16	10

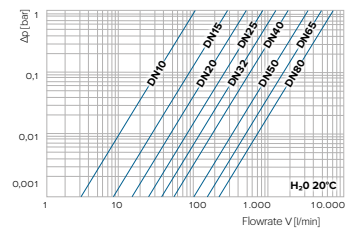
Diagramm: flow characteristics



Pressure temperature



Pressure loss



Standard type (PE) with orange handle

Product	G-kg	PU	Prod.No.	Price €
SOLVENT SOCKET PE/EPDM SWIMMING POOL				
Ball Valve S6 2W DN10 PVC grey PVCu solvent socket d16 metric PN16 EPDM PE loose packing	0.10	50.00	127696	9.53
Ball Valve S6 2W DN15 PVC grey PVCu solvent socket d20 metric PN16 EPDM PE loose packing	0.17	50.00	127697	9.77
Ball Valve S6 2W DN20 PVC grey PVCu solvent socket d25 metric PN16 EPDM PE loose packing	0.23	50.00	127698	10.82
Ball Valve S6 2W DN25 PVC grey PVCu solvent socket d32 metric PN16 EPDM PE loose packing	0.44	40.00	127699	13.40
Ball Valve S6 2W DN32 PVC grey PVCu solvent socket d40 metric PN16 EPDM PE loose packing	0.48	20.00	127700	15.85
Ball Valve S6 2W DN40 PVC grey PVCu solvent socket d50 metric PN16 EPDM PE loose packing	0.82	20.00	125462	17.50
Ball Valve S6 2W DN50 PVC grey PVCu solvent socket d63 metric PN16 EPDM PE loose packing	1.16	10.00	125463	23.70
Ball Valve S6 2W DN65 PVC grey PVCu solvent socket d75 metric PN16 EPDM PE loose packing	2.53	4.00	128400	86.80
Ball Valve S6 2W DN80 PVC grey PVCu solvent socket d90 metric PN16 EPDM PE loose packing	4.22	4.00	128428	135.00
Ball Valve S6 2W DN80 PVC grey PVCu solvent socket d110 metric PN16 EPDM PE loose packing	4.98	4.00	129793	237.00
THREAD SOCKET IG PE/EPDM SWIMMING POOL				
Ball Valve S6 2W DN10 PVC grey thread socket R 3/8" BSP PN16 EPDM PE loose packing	0.25	50.00	127701	11.56
Ball Valve S6 2W DN15 PVC grey thread socket R 1/2" BSP PN16 EPDM PE loose packing	0.24	50.00	127702	11.56

PE-SPIGOT



PTFE type with red handle



Standard type with orange PE/EPDM handle, handle in different colour and valve with personalized label on request available



Double side secured S6 ball valve body

Product	G-kg	PU	Prod.No.	Price €
Ball Valve S6 2W DN20 PVC grey thread socket R 3/4" BSP PN16 EPDM PE loose packing	0.24	50.00	127703	14.87
Ball Valve S6 2W DN25 PVC grey thread socket R 1" BSP PN16 EPDM PE loose packing	0.29	40.00	127704	18.42
Ball Valve S6 2W DN32 PVC grey thread socket R 1 1/4" BSP PN16 EPDM PE loose packing	0.50	20.00	127705	20.28
Ball Valve S6 2W DN40 PVC grey thread socket R 1 1/2" BSP PN16 EPDM PE loose packing	0.88	20.00	125466	25.61
Ball Valve S6 2W DN50 PVC grey thread socket R 2" BSP PN16 EPDM PE loose packing	1.22	10.00	125467	32.44
Ball Valve S6 2W DN65 PVC grey thread socket R 2 1/2" BSP PN16 EPDM PE loose packing	2.34	4.00	129027	137.32
PE FUSION-SPIGOT PE/EPDM SWIMMING POOL				
Ball Valve S6 2W DN10 PVC grey PE fusion-spigot d16 metric PN16 EPDM PE loose packing	0.24	50.00	127706	12.82
Ball Valve S6 2W DN15 PVC grey PE fusion-spigot d20 metric PN16 EPDM PE loose packing	0.24	50.00	127707	12.95
Ball Valve S6 2W DN20 PVC grey PE fusion-spigot d25 metric PN16 EPDM PE loose packing	0.39	50.00	127708	13.46
Ball Valve S6 2W DN25 PVC grey PE fusion-spigot d32 metric PN16 EPDM PE loose packing	0.43	40.00	127709	19.09
Ball Valve S6 2W DN40 PVC grey PE fusion-spigot d50 metric PN16 EPDM PE loose packing	0.84	15.00	125468	26.99
Ball Valve S6 2W DN50 PVC grey PE fusion-spigot d63 metric PN16 EPDM PE loose packing	1.14	10.00	125469	34.47
Ball Valve S6 2W DN32 PVC grey PE fusion-spigot d40 metric PN16 EPDM PE loose packing	0.46	20.00	127710	21.20
Ball Valve S6 2W DN65 PVC grey PE fusion-spigot d75 metric PN16 EPDM PE loose packing	2.37	4.00	129023	149.62
SOLVENT SOCKET PTFE/EPDM OR FPM				
Ball Valve S6 2W DN10 PVC grey PVCu solvent socket d16 metric PN16 EPDM PTFE single packed	0.18	20.00	126965	16.01
Ball Valve S6 2W DN10 PVC grey PVCu solvent socket d16 metric PN16 FPM PTFE single packed	0.10	20.00	126986	21.15
Ball Valve S6 2W DN15 PVC grey PVCu solvent socket d20 metric PN16 EPDM PTFE single packed	0.10	20.00	126974	16.01
Ball Valve S6 2W DN15 PVC grey PVCu solvent socket d20 metric PN16 FPM PTFE single packed	0.10	20.00	126987	21.15
Ball Valve S6 2W DN20 PVC grey PVCu solvent socket d25 metric PN16 EPDM PTFE single packed	0.39	20.00	126975	17.99
Ball Valve S6 2W DN20 PVC grey PVCu solvent socket d25 metric PN16 FPM PTFE single packed	0.22	20.00	127654	23.68
Ball Valve S6 2W DN25 PVC grey PVCu solvent socket d32 metric PN16 EPDM PTFE single packed	0.44	15.00	126976	19.24
Ball Valve S6 2W DN25 PVC grey PVCu solvent socket d32 metric PN16 FPM PTFE single packed	0.20	15.00	127655	30.18
Ball Valve S6 2W DN32 PVC grey PVCu solvent socket d40 metric PN16 EPDM PTFE single packed	0.49	20.00	126985	26.21
Ball Valve S6 2W DN32 PVC grey PVCu solvent socket d40 metric PN16 FPM PTFE single packed	0.49	20.00	127656	37.26
Ball Valve S6 2W DN40 PVC grey PVCu solvent socket d50 metric PN16 EPDM PTFE single packed	0.84	20.00	125486	27.69
Ball Valve S6 2W DN40 PVC grey PVCu solvent socket d50 metric PN16 FPM PTFE single packed	0.84	20.00	125498	36.06
Ball Valve S6 2W DN50 PVC grey PVCu solvent socket d63 metric PN16 EPDM PTFE single packed	1.24	10.00	125487	37.98
Ball Valve S6 2W DN50 PVC grey PVCu solvent socket d63 metric PN16 FPM PTFE single packed	1.26	10.00	125499	47.63
Ball Valve S6 2W DN65 PVC grey PVCu solvent socket d75 metric PN16 EPDM PTFE single packed	2.52	4.00	128401	130.40
Ball Valve S6 2W DN65 PVC grey PVCu solvent socket d75 metric PN16 FPM PTFE single packed	2.54	4.00	128402	165.75
Ball Valve S6 2W DN80 PVC grey PVCu solvent socket d90 metric PN16 EPDM PTFE single packed	4.16	1.00	128429	225.41
Ball Valve S6 2W DN80 PVC grey PVCu solvent socket d90 metric PN16 FPM PTFE single packed	4.56	1.00	128430	265.60
Ball Valve S6 2W DN80 PVC grey PVCu solvent socket d110 metric PN16 EPDM PTFE single packed	5.13	1.00	129794	465.17
Ball Valve S6 2W DN80 PVC grey PVCu solvent socket d110 metric PN16 FPM PTFE single packed	5.16	1.00	129795	555.62
THREAD SOCKET IG PTFE/EPDM OR FPM				
Ball Valve S6 2W DN10 PVC grey thread socket R 3/8" BSP PN16 EPDM PTFE single packed	0.25	20.00	127667	17.81
Ball Valve S6 2W DN10 PVC grey thread socket R 3/8" BSP PN16 FPM PTFE single packed	0.17	20.00	127672	22.93



PTFE type with red handle

PE-SOCKET



Product	G-kg	PU	Prod.No.	Price €
Ball Valve S6 2W DN15 PVC grey thread socket R 1/2" BSP PN16 EPDM PTFE single packed	0.25	20.00	127668	17.81
Ball Valve S6 2W DN15 PVC grey thread socket R 1/2" BSP PN16 FPM PTFE single packed	0.17	20.00	127673	22.93
Ball Valve S6 2W DN20 PVC grey thread socket R 3/4" BSP PN16 EPDM PTFE single packed	0.39	20.00	127669	20.70
Ball Valve S6 2W DN20 PVC grey thread socket R 3/4" BSP PN16 FPM PTFE single packed	0.39	20.00	127674	26.40
Ball Valve S6 2W DN25 PVC grey thread socket R 1" BSP PN16 EPDM PTFE single packed	0.30	15.00	127670	22.51
Ball Valve S6 2W DN25 PVC grey thread socket R 1" BSP PN16 FPM PTFE single packed	0.29	15.00	127675	33.46
Ball Valve S6 2W DN32 PVC grey thread socket R 1 1/4" BSP PN16 EPDM PTFE single packed	0.50	20.00	127671	30.10
Ball Valve S6 2W DN32 PVC grey thread socket R 1 1/4" BSP PN16 FPM PTFE single packed	0.50	20.00	127676	41.14
Ball Valve S6 2W DN40 PVC grey thread socket R 1 1/2" BSP PN16 EPDM PTFE single packed	0.86	20.00	125490	31.35
Ball Valve S6 2W DN40 PVC grey thread socket R 1 1/2" BSP PN16 FPM PTFE single packed	0.82	20.00	125502	40.05
Ball Valve S6 2W DN50 PVC grey thread socket R 2" BSP PN16 EPDM PTFE single packed	1.24	10.00	125491	42.59
Ball Valve S6 2W DN50 PVC grey thread socket R 2" BSP PN16 FPM PTFE single packed	1.24	10.00	125503	52.41
Ball Valve S6 2W DN65 PVC grey thread socket R 2 1/2" BSP PN16 EPDM PTFE single packed	2.56	4.00	129029	142.67
Ball Valve S6 2W DN65 PVC grey thread socket R 2 1/2" BSP PN16 FPM PTFE single packed	2.32	4.00	129030	179.56
FUSION-SOCKET PE PTFE/EPDM OR FPM				
Ball Valve S6 2W DN10 PVC grey PE socket d16 metric PN16 EPDM PTFE single packed	0.23	20.00	126966	19.65
Ball Valve S6 2W DN10 PVC grey PE socket d16 metric PN16 FPM PTFE single packed	0.16	20.00	126977	24.77
Ball Valve S6 2W DN15 PVC grey PE socket d20 metric PN16 EPDM PTFE single packed	0.24	20.00	126967	19.65
Ball Valve S6 2W DN15 PVC grey PE socket d20 metric PN16 FPM PTFE single packed	0.16	20.00	126978	24.77
Ball Valve S6 2W DN20 PVC grey PE socket d25 metric PN16 EPDM PTFE single packed	0.22	20.00	126968	21.49
Ball Valve S6 2W DN20 PVC grey PE socket d25 metric PN16 FPM PTFE single packed	0.21	20.00	126979	27.17
Ball Valve S6 2W DN25 PVC grey PE socket d32 metric PN16 EPDM PTFE single packed	0.27	15.00	126969	23.49
Ball Valve S6 2W DN25 PVC grey PE socket d32 metric PN16 FPM PTFE single packed	0.27	15.00	126980	34.46
Ball Valve S6 2W DN32 PVC grey PE socket d40 metric PN16 EPDM PTFE single packed	0.47	20.00	126970	31.36
Ball Valve S6 2W DN32 PVC grey PE socket d40 metric PN16 FPM PTFE single packed	0.46	20.00	126981	42.40
Ball Valve S6 2W DN40 PVC grey PE socket d50 metric PN16 EPDM PTFE single packed	0.75	20.00	126971	36.84
Ball Valve S6 2W DN40 PVC grey PE socket d50 metric PN16 FPM PTFE single packed	0.76	20.00	126982	45.95
Ball Valve S6 2W DN50 PVC grey PE socket d63 metric PN16 EPDM PTFE single packed	1.05	10.00	126972	50.99
Ball Valve S6 2W DN50 PVC grey PE socket d63 metric PN16 FPM PTFE single packed	1.07	10.00	126983	61.98
Ball Valve S6 2W DN65 PVC grey PE socket d75 metric PN16 EPDM PTFE single packed	2.22	4.00	129021	154.98
Ball Valve S6 2W DN65 PVC grey PE socket d75 metric PN16 FPM PTFE single packed	2.24	4.00	129022	191.86
Handle extension DN10/15 PVC grey	0.08	15.00	125424	18.99
Handle extension DN20/25 PVC grey	0.08	10.00	125425	19.74
Handle extension DN32 PVC grey	0.03	15.00	125426	20.65
Handle extension DN40/50 PVC grey	0.12	15.00	125427	22.29
Handle extension DN65 PVC grey	0.15	15.00	125428	27.31
Handle extension DN80 PVC grey	0.16	15.00	125429	34.04



2-way M1 ball valve

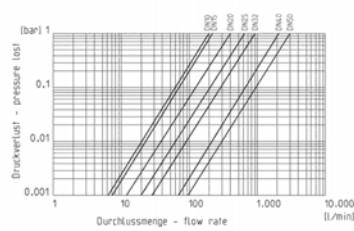
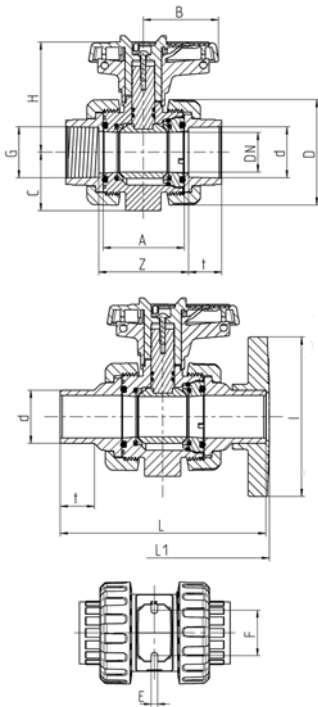
modular industrial ball valve M1, 100% tested quality, made in Austria, buttress thread. Integrated dome for installation of the adapter sets for actuators, integrated support. PVC, PP on request. Floating ball, different connection types. PTFE ball seating ring. EPDM or FPM sealing.

- Operation temperature max. 60°
- Best flow rates due to non-reduced diameter
- High durability due to ball seating ring made of PTFE
- Low weight
- Radial installation and disassembly
- Silicon free
- Buttress thread
- Double shaft sealing
- Safety handle system

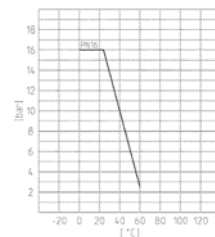
MAXIMUM SAFETY	MODULAR
INDUSTRIAL STANDARD	SILICONFREE

DIMENSIONS

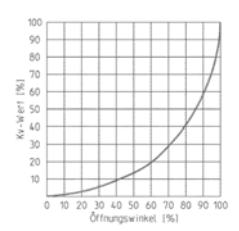
DN	10	15	20	25	32	40	50
d	16	20	25	32	40	50	63
G _{GM} ¹	¾	½	¾	1	1¼	1½	2
A	45	45	53,5	54	62	78	87
B	39,5	39,5	51	51	63,5	72	84
C	33	33	40	43	51	56	64
D	55,5	55,5	62	70	84	101	115
E	5,5	5,5	5,5	6,5	6,5	6,5	6,5
F	34	34	36	38	40	45	50
H	70,5	70,5	77	79,5	98	105,5	114
I	-	97	105	125	140	150	165
t _{KM} ²	16	16,5	19,5	23	26,5	31,5	38,5
t _{KS} ³	17	16,5	19,5	23	26,5	31,5	38,5
t _{SS PE} ⁴	13	14	15,5	18,5	15	29	31
t _{SM PE} ⁵	14,5	16	17	19	21,5	25	29,5
Z _{KM} ²	51	50	59,5	60	68,5	86	98
Z _{GM} ¹	48	50	60	60	68	87	98
Z _{SM} ⁵ PE	52,5	50	62	64,5	75	97	110,5
L _{KS} ³	98	123,5	143,5	153,5	173,5	193,5	223,5
L _{SS PE} ⁴	95	106,5	126,5	131	120	162,5	175
L _{1 FF} ⁶	-	130	150	160	180	200	230
PN	16	16	16	16	16	16	16



Flow amount



Pressure temperature



Opening angle

Product	G-kg	PU	Prod.No.	Price €
M1 ball valve PTFE/EPDM				
Ball Valve M1 2W DN10 PVC grey PVCu solvent socket ends d16 metric PN16 EPDM PTFE single packed	0.22	9.00	128809A	34.01
Ball Valve M1 2W DN15 PVC grey PVCu solvent socket ends d20 metric PN16 EPDM PTFE single packed	0.22	9.00	128810A	35.40
Ball Valve M1 2W DN20 PVC grey PVCu solvent socket ends d25 metric PN16 EPDM PTFE single packed	0.27	8.00	128811A	40.72
Ball Valve M1 2W DN25 PVC grey PVCu solvent socket ends d32 metric PN16 EPDM PTFE single packed	0.34	8.00	128812A	48.28
Ball Valve M1 2W DN32 PVC grey PVCu solvent socket ends d40 metric PN16 EPDM PTFE single packed	0.55	8.00	128813A	64.33
Ball Valve M1 2W DN40 PVC grey PVCu solvent socket ends d50 metric PN16 EPDM PTFE single packed	0.90	6.00	128814A	79.52
Ball Valve M1 2W DN50 PVC grey PVCu solvent socket ends d63 metric PN16 EPDM PTFE single packed	1.26	4.00	128815A	94.09
Ball Valve M1 2W DN65 PVC grey PVCu solvent socket d75 metric PN16 EPDM PTFE single packed	2.74	1.00	124227	200.79



Product	G-kg	PU	Prod.No.	Price €
Ball Valve M1 2W DN80 PVC grey PVCu solvent socket d90 metric PN16 EPDM PTFE single packed	4.81	1.00	124228	247.22
Ball Valve M1 2W DN80 PVC grey PVCu solvent socket d110 metric PN16 EPDM PTFE single packed	4.90	1.00	124229	336.19
2-WAY BALL VALVE WITH LIMIT SWITCH BOX				
Ball Valve M1 2W DN10 PVC grey PVCu solvent socket ends d16 metric PN16 EPDM PTFE pi NO Ag-Ni 15-250V AC single packed	0.34	1.00	129814	171.98
Ball Valve M1 2W DN15 PVC grey PVCu solvent socket ends d20 metric PN16 EPDM PTFE pi NO Ag-Ni 15-250V AC single packed	0.33	1.00	129815	174.32
Ball Valve M1 2W DN20 PVC grey PVCu solvent socket ends d25 metric PN16 EPDM PTFE pi NO Ag-Ni 15-250V AC single packed	0.52	1.00	129816A	192.93
Ball Valve M1 2W DN25 PVC grey PVCu solvent socket ends d32 metric PN16 EPDM PTFE pi NO Ag-Ni 15-250V AC single packed	0.58	1.00	129817A	207.57
Ball Valve M1 2W DN32 PVC grey PVCu solvent socket ends d40 metric PN16 EPDM PTFE pi NO Ag-Ni 15-250V AC single packed	0.72	1.00	129818	255.01
Ball Valve M1 2W DN40 PVC grey PVCu solvent socket ends d50 metric PN16 EPDM PTFE pi NO Ag-Ni 15-250V AC single packed	1.16	1.00	129819	282.30
Ball Valve M1 2W DN50 PVC grey PVCu solvent socket ends d63 metric PN16 EPDM PTFE pi NO Ag-Ni 15-250V AC single packed	1.45	1.00	129820	321.58
Ball Valve M1 2W DN65 PVC grey PVCu solvent socket d75 metric PN16 EPDM PTFE pi NO Ag-Ni 15-250V AC single packed	3.19	1.00	124239	773.94
Ball Valve M1 2W DN80 PVC grey PVCu solvent socket d90 metric PN16 EPDM PTFE pi NO Ag-Ni 15-250V AC single packed	5.32	1.00	124240	888.09
Ball Valve M1 2W DN80 PVC grey PVCu solvent socket d110 metric PN16 EPDM PTFE pi NO Ag-Ni 15-250V AC single packed	5.40	1.00	124241	1041.92
2-WAY BALL VALVE M1 WITH ADAPTER SET FOR ACTUATOR ISO5211				
Ball Valve M1 2W DN10 PVC grey PVCu solvent socket ends d16 metric PN16 EPDM PTFE adapterset F04 single packed	0.28	9.00	128826A	77.24
Ball Valve M1 2W DN15 PVC grey PVCu solvent socket ends d20 metric PN16 EPDM PTFE adapterset F04 single packed	0.27	9.00	128827	79.19
Ball Valve M1 2W DN20 PVC grey PVCu solvent socket ends d25 metric PN16 EPDM PTFE adapterset F04 single packed	0.37	8.00	128828A	87.94
Ball Valve M1 2W DN25 PVC grey PVCu solvent socket ends d32 metric PN16 EPDM PTFE adapterset F04 single packed	0.41	8.00	128829A	99.23
Ball Valve M1 2W DN32 PVC grey PVCu solvent socket ends d40 metric PN16 EPDM PTFE adapterset F04 single packed	0.63	8.00	128830A	126.11
Ball Valve M1 2W DN40 PVC grey PVCu solvent socket ends d50 metric PN16 EPDM PTFE adapterset F04 single packed	0.96	6.00	128831A	150.71
Ball Valve M1 2W DN50 PVC grey PVCu solvent socket ends d63 metric PN16 EPDM PTFE adapterset F04 single packed	1.32	4.00	128832A	179.93
Ball Valve M1 2W DN65 PVC grey PVCu solvent socket d75 metric PN16 EPDM PTFE adapter set F07 single packed	2.89	1.00	124233	333.85
Ball Valve M1 2W DN80 PVC grey PVCu solvent socket d90 metric PN16 EPDM PTFE adapter set F07 single packed	5.07	1.00	124234	393.23
Ball Valve M1 2W DN80 PVC grey PVCu solvent socket d110 metric PN16 EPDM PTFE adapter set F07 single packed	5.16	1.00	124235	488.13



2-way ball valve S5 single union special

with male thread and hose connection

Product	G-kg	PU	Prod.No.	Price €
Ball Valve SU 2W DN25 PVC white male thread 1" NPT / hose nozzle 32/38 mm PN10 EPDM PE	0.20	40.00	75546	18.32
Ball Valve SU 2W DN40 PVC white male thread 1 1/2" NPT / hose nozzle 32/38 mm PN10 EPDM PE	0.40	20.00	75544	21.93



Single union cone check valve, on request

Dimensions: DN40, d50 and DN50, d63, sealing EPDM, material spring SS302, max. operation pressure 1.5 bar, body white, transparent body available on request
min. order quantity: 100 pcs



Double union cone check valve, on request

Dimensions: DN40, d50 and DN50, d63, sealing EPDM, material spring SS302, max. operation pressure 1.5 bar, body transparent, min. order quantity: 100 pcs



3-way ball valve S4

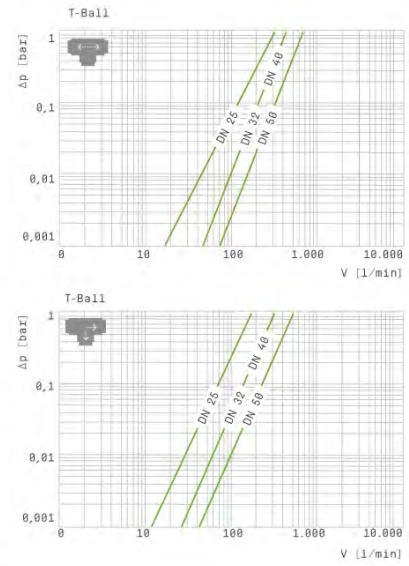
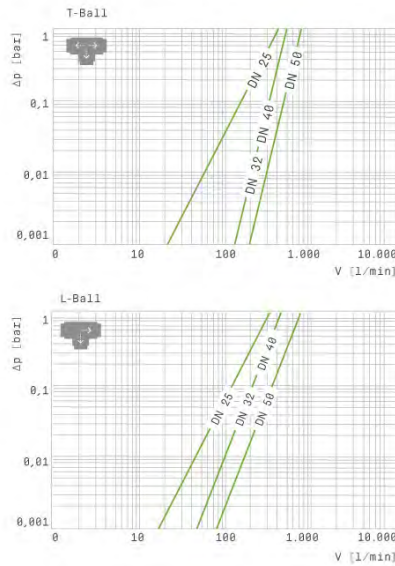
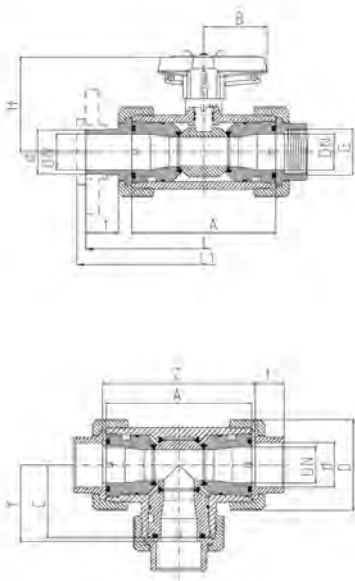
- Operation temperature max. 60 °C
- Safety handle system
- Radial installation and disassembly
- Direction-independent flow
- Full sectional flow area (nominal width)
- Floating ball
- 4 PTFE ball seating rings
- L or T ball type available
- Easy automation due to valve clamps

According to EG-VCM safety regulation.

MAXIMUM SAFETY	EXAKTE AUTOMATION
SAFETYS HANDLE	L/T-BALL TYPES

DIMENSIONS (PVC)

d	DN	G	L	L1	A	D	H	B	Y	C	Z	t	PN
16	10	"	152	158	100	53	72	40	52,8	50	105,5	16,5	16
20	15	½"	162	168	100	53	72	40	52,8	50	105,5	16,5	16
25	20	¾"	191	197	120	70	81,5	51,5	63	60	126	20	16
32	25	1"	200	206	120	70	81,5	51,5	63,5	60	127	22,5	16
40	32	1 ¼"	249	255	162	101	107,5	73	84,5	81	169	27,5	16
50	40	1 ½"	261	267	162	101	107,5	73	85,5	81	171	31,5	16
63	50	2"	296	302	181	121,5	116,5	85	96,5	90,5	193	38,5	50



Flow pressure loss

L-BALL

Product	G-kg	PU	Prod.No.	Price €
L-BALL PTFE/EPDM OR FPM				
Ball Valve S4 3W L-ball DN10 PVC grey PVCu solvent socket d16 metric PN16 EPDM PTFE single packed	0.45	15.00	120626	64.86
Ball Valve S4 3W L-ball DN10 PVC grey PVCu solvent socket d16 metric PN16 FPM PTFE single packed	0.37	15.00	120668	83.53
Ball Valve S4 3W L-ball DN15 PVC grey PVCu solvent socket d20 metric PN16 EPDM PTFE single packed	0.42	15.00	120628	64.86
Ball Valve S4 3W L-ball DN15 PVC grey PVCu solvent socket d20 metric PN16 FPM PTFE single packed	0.37	15.00	120670	83.53
Ball Valve S4 3W L-ball DN20 PVC grey PVCu solvent socket d25 metric PN16 EPDM PTFE single packed	0.85	15.00	121832	65.90
Ball Valve S4 3W L-ball DN20 PVC grey PVCu solvent socket d25 metric PN16 FPM PTFE single packed	0.70	15.00	121834	88.68
Ball Valve S4 3W L-ball DN25 PVC grey PVCu solvent socket d32 metric PN16 EPDM PTFE single packed	0.94	15.00	121833	65.90
Ball Valve S4 3W L-ball DN25 PVC grey PVCu solvent socket d32 metric PN16 FPM PTFE single packed	0.71	15.00	121835	88.68
Ball Valve S4 3W L-ball DN32 PVC grey PVCu solvent socket d40 metric PN16 EPDM PTFE single packed	1.78	5.00	122717	101.19

T-BALL

Product	G-kg	PU	Prod.No.	Price €
Ball Valve S4 3W L-ball DN32 PVC grey PVCu solvent socket d40 metric PN16 FPM PTFE single packed	1.79	5.00	120770	133.75
Ball Valve S4 3W L-ball DN40 PVC grey PVCu solvent socket d50 metric PN16 EPDM PTFE single packed	1.82	5.00	122718	101.99
Ball Valve S4 3W L-ball DN40 PVC grey PVCu solvent socket d50 metric PN16 FPM PTFE single packed	1.83	5.00	120771	134.70
Ball Valve S4 3W L-ball DN50 PVC grey PVCu solvent socket d63 metric PN16 EPDM PTFE single packed	2.71	4.00	122719	126.98
Ball Valve S4 3W L-ball DN50 PVC grey PVCu solvent socket d63 metric PN16 FPM PTFE single packed	2.80	4.00	120772	165.66
T-BALL PTFE/EPDM OR FPM				
Ball Valve S4 3W T-ball DN10 PVC grey PVCu solvent socket d16 metric PN16 EPDM PTFE single packed	0.44	15.00	120625	64.86
Ball Valve S4 3W T-ball DN10 PVC grey PVCu solvent socket d16 metric PN16 FPM PTFE single packed	0.37	15.00	120667	83.53
Ball Valve S4 3W T-ball DN15 PVC grey PVCu solvent socket d20 metric PN16 EPDM PTFE single packed	0.36	15.00	120627	64.86
Ball Valve S4 3W T-ball DN15 PVC grey PVCu solvent socket d20 metric PN16 FPM PTFE single packed	0.37	15.00	120669	83.53
Ball Valve S4 3W T-ball DN20 PVC grey PVCu solvent socket d25 metric PN16 EPDM PTFE single packed	0.85	15.00	121816	65.90
Ball Valve S4 3W T-ball DN20 PVC grey PVCu solvent socket d25 metric PN16 FPM PTFE single packed	0.70	15.00	121831	88.68
Ball Valve S4 3W T-ball DN25 PVC grey PVCu solvent socket d32 metric PN16 EPDM PTFE single packed	0.90	15.00	121774	65.90
Ball Valve S4 3W T-ball DN25 PVC grey PVCu solvent socket d32 metric PN16 FPM PTFE single packed	0.70	15.00	120307	88.68
Ball Valve S4 3W T-ball DN32 PVC grey PVCu solvent socket d40 metric PN16 EPDM PTFE single packed	1.78	5.00	122714	101.19
Ball Valve S4 3W T-ball DN32 PVC grey PVCu solvent socket d40 metric PN16 FPM PTFE single packed	2.98	5.00	120767	133.75
Ball Valve S4 3W T-ball DN40 PVC grey PVCu solvent socket d50 metric PN16 EPDM PTFE single packed	1.82	5.00	122715	101.99
Ball Valve S4 3W T-ball DN40 PVC grey PVCu solvent socket d50 metric PN16 FPM PTFE single packed	1.82	5.00	120768	134.70
Ball Valve S4 3W T-ball DN50 PVC grey PVCu solvent socket d63 metric PN16 EPDM PTFE single packed	2.68	4.00	122716	126.98
Ball Valve S4 3W T-ball DN50 PVC grey PVCu solvent socket d63 metric PN16 FPM PTFE single packed	2.71	4.00	120769	165.66



PP type available on request



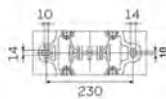
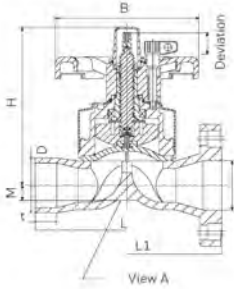
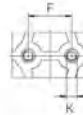
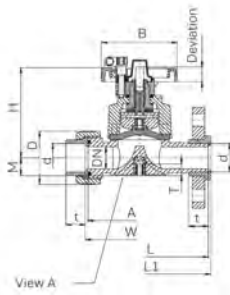
Diaphragm valve T4

- Operation temperature max. 60 °C
- Safety handle system
- Radial installation and disassembly
- Direction-independent flow
- Full sectional flow (nominal width)
- Floating ball
- 4 PTFE ball seating rings
- L or T ball type available
- Easy automation due to valve clamps

**MAXIMUM
SAFETY**

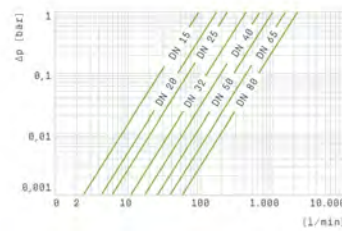
**LOCKABLE
HANDWHEEL**

**OPT POSITION
INDICATION**

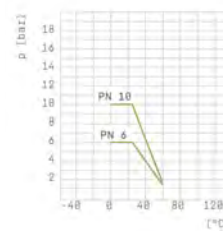


DIMENSIONS

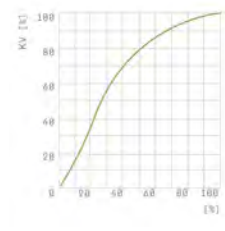
d	DN	d	M	H	B	D	F	Hub	K	L	L1	T	Z	A	t	PN
20	15	½"	17	100	86	43	25	9	M6	124	130	12	96	90	16	10
25	20	¾"	17	100	86	53	25	9	M6	144	150	12	114	108	19	10
32	25	1"	21	107	86	60	25	11	M6	154	160	12	122	116	22	10
40	32	1½"	33	144	136	74	45	22	M8	174	180	15	142	136	26	10
50	40	1½"	33	144	136	83	45	22	M8	194	200	15	160	154	31	10
63	50	2"	40,3	170	136	103	45	28	M8	22,4	230	15	190	184	38	10
75	65	2½"	25	260	234	-	-	35	-	284	300	-	-	-	44	10
90	80	3"	25	260	234	-	-	35	-	-	31	-	-	-	54,5	10
110	80	4"	25	330	234	-	-	45	-	-	350	-	-	-	-	10
140	125	5"	25	330	234	-	-	45	-	-	400	-	-	-	-	6



Flow pressure loss



Pressure temperature



Durchflussmenge-Öffnung

Product	G-kg	PU	Prod.No.	Price €
SOLVENT SOCKET EPDM OR FPM				
Diaphragm Valve T4 DN15 PVC grey union/PVCu solvent socket d20 metric PN10 EPDM EPDM	0.52	20.00	122212	57.34
Diaphragm Valve T4 DN15 PVC grey union/PVCu solvent socket d20 metric PN10 FPM PTFE-metric	0.53	20.00	122832	147.00
Diaphragm Valve T4 DN20 PVC grey union/PVCu solvent socket d25 metric PN10 EPDM EPDM	0.56	20.00	122213	62.38
Diaphragm Valve T4 DN20 PVC grey union/PVCu solvent socket d25 metric PN10 FPM PTFE-metric	0.57	20.00	122834	154.00
Diaphragm Valve T4 DN25 PVC grey union/PVCu solvent socket d32 metric PN10 EPDM EPDM	0.88	15.00	122214	78.12
Diaphragm Valve T4 DN25 PVC grey union/PVCu solvent socket d32 metric PN10 FPM PTFE-metric	0.81	15.00	122835	176.56
Diaphragm Valve T4 DN32 PVC grey union/PVCu solvent socket d40 metric PN10 EPDM EPDM	2.06	10.00	122215	112.26
Diaphragm Valve T4 DN32 PVC grey union/PVCu solvent socket d40 metric PN10 FPM PTFE-metric	1.85	10.00	122836	248.84
Diaphragm Valve T4 DN40 PVC grey union/PVCu solvent socket d50 metric PN10 EPDM EPDM	1.90	10.00	122216	122.33
Diaphragm Valve T4 DN40 PVC grey union/PVCu solvent socket d50 metric PN10 FPM PTFE-metric	1.95	10.00	122837	270.61
Diaphragm Valve T4 DN50 PVC grey union/PVCu solvent socket d63 metric PN10 EPDM EPDM	2.83	5.00	122217	151.16
Diaphragm Valve T4 DN50 PVC grey union/PVCu solvent socket d63 metric PN10 FPM PTFE-metric	2.95	5.00	122838	343.69
FIX FLANGE				
Diaphragm Valve T4 DN80 PVC grey fix flange d90 DIN-ANSI-JIS PN10 EPDM	7.20	1.00	120200	463.52
Diaphragm Valve T4 DN80 PVC grey fix flange d90 DIN-ANSI-JIS PN10 PTFE-coated	7.40	1.00	120228	849.03
Diaphragm Valve T4 DN100 PVC grey fix flange d110 DIN-ANSI-JIS PN10 EPDM	12.89	1.00	120898	663.74
Diaphragm Valve T4 DN100 PVC grey fix flange d110 DIN-ANSI-JIS PN10 PTFE-coated	13.11	1.00	120896	1135.10





PVC solvent socket on request

Product	G-kg	PU	Prod.No.	Price €
Diaphragm Valve T4 DN125 PVC grey fix flange d140 DIN-ANSI-JIS PN10 EPDM	6.49	1.00	120899	831.22
Diaphragm Valve T4 DN125 PVC grey fix flange d140 DIN-ANSI-JIS PN10 PTFE-coated	6.72	1.00	120897	1461.65
PVC-Diaphragm Valve, operated directly pneumatically				
Diaphragm Valve T4 DN15 PVC grey union/PVCu solvent socket d20 metric PN6 EPDM direct pneum. activated	0.58	15.00	122816	48.28
Diaphragm Valve T4 DN15 PVC grey union/PVCu solvent socket d20 metric PN6 FPM direct pneum. activated	0.58	15.00	122848	91.81
Diaphragm Valve T4 DN20 PVC grey union/PVCu solvent socket d25 metric PN6 EPDM direct pneum. activated	0.58	15.00	122817	54.63
Diaphragm Valve T4 DN20 PVC grey union/PVCu solvent socket d25 metric PN6 FPM direct pneum. activated	0.56	15.00	122850	98.36
Diaphragm Valve T4 DN25 PVC grey union/PVCu solvent socket d32 metric PN6 EPDM direct pneum. activated	0.58	15.00	122818	62.26
Diaphragm Valve T4 DN25 PVC grey union/PVCu solvent socket d32 metric PN6 FPM direct pneum. activated	0.62	15.00	122852	109.67
Diaphragm Valve T4 DN32 PVC grey union/PVCu solvent socket d40 metric PN6 EPDM direct pneum. activated	1.40	10.00	122819	82.17
Diaphragm Valve T4 DN32 PVC grey union/PVCu solvent socket d40 metric PN6 FPM direct pneum. activated	1.38	10.00	122854	161.00
Diaphragm Valve T4 DN40 PVC grey union/PVCu solvent socket d50 metric PN6 EPDM direct pneum. activated	0.58	10.00	122820	112.16
Diaphragm Valve T4 DN40 PVC grey union/PVCu solvent socket d50 metric PN6 FPM direct pneum. activated	1.71	10.00	122856	191.33
Diaphragm Valve T4 DN50 PVC grey union/PVCu solvent socket d63 metric PN6 EPDM direct pneum. activated	2.36	8.00	122821	137.04
Diaphragm Valve T4 DN50 PVC grey union/PVCu solvent socket d63 metric PN6 FPM direct pneum. activated	2.32	8.00	122858	264.37



PP type available on request



MAXIMUM SAFETY	COMPLETE SET
LOCKABLE	1/4", 3/8" MALE THREAD



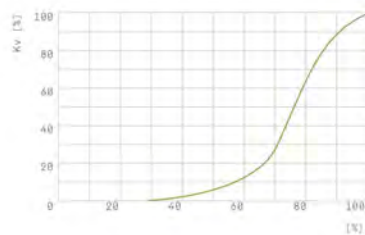
PVDF type available on request

Laboratory ball valve S4

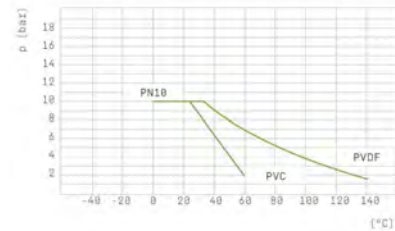
With connection set

- Operation temperature max. 60 °C
- Lock and dosing ring to avoid unintended opening of the valve and for fixing the opening
- Valve can be completely opened after removing of the dosing ring
- Compact construction
- Low weight
- Corrosion resistant
- Application: dosing systems, irrigation, filter drain

Product	G-kg	PU	Prod.No.	Price €
PTFE/EPDM OR FPM				
Laboratory Ball Valve DN6 PVC grey female thread/male thread 1/4" - 1/4" BSP PN10 EPDM PTFE with accessories	0.04	100.00	122353A	19.06
Laboratory Ball Valve DN6 PVC grey female thread/male thread 1/4" - 1/4" BSP PN10 FPM PTFE with accessories	0.04	100.00	122354A	23.65
Laboratory Ball Valve DN6 PVC grey female thread/male thread 1/4" - 3/8" BSP PN10 EPDM PTFE with accessories	0.05	100.00	122751A	19.06
Laboratory Ball Valve DN6 PVC grey female thread/male thread 1/4" - 3/8" BSP PN10 FPM PTFE with accessories	0.05	100.00	122757A	23.65
Laboratory Ball Valve DN6 PVC grey female thread/male thread 1/4" - 1/4" NPT PN10 EPDM PTFE with accessories	0.04	100.00	122355A	19.06
Laboratory Ball Valve DN6 PVC grey female thread/male thread 1/4" - 1/4" NPT PN10 FPM PTFE with accessories	0.04	100.00	122356A	23.65
HOSE NOZZLE NPT				
Hose nozzle for laboratory ball valve PVC grey female thread 12-1/4" NPT	0.01	10.00	140203	3.01
HOSE NOZZLE BSP				
Hose nozzle for laboratory ball valve PVC grey female thread d12-1/4" BSP	0.01	10.00	141144	3.01



Flow opening



Pressure temperature



Gate valve (3-way)

with safety handle system

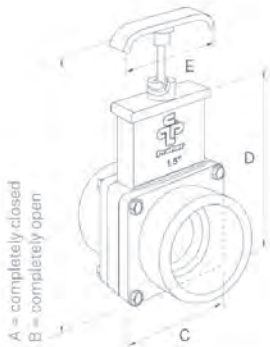
- Safety handle system
- Optical position indication
- Longlasting sealing
- Service-friendly
- Optimal mixing function
- Permanently lubricated



Product	G-kg	PU	Prod.No.	Price €
SOLVENT CONNECTION				
Rotary Valve 3W DN40 PVC grey solvent d50 metric	0.70	12.00	71633	39.42
Rotary Valve 3W DN40 PVC grey solvent d50 metric	0.70	12.00	71917	39.42
UNION				
Rotary Valve 3W DN40 PVC grey union/PVCu solvent socket d50 metric	0.81	10.00	72228	66.57
Rotary Valve 3W DN50 PVC grey union/PVCu solvent socket d63 metric	1.08	10.00	72229	73.52



Type 1½", 2", and 2½"



A = completely closed
B = completely open

Knife gate valve

- Application: swimming pools and whirl pools /draining or safety valve, water treatment, agriculture, draining of tanks, fish farming, natural Pools.
- Colours: grey, white, special colours and connection types on request
- Material: PVC-U body material, TPE lip seals, EPDM O-rings, shaft made of stainless steel (303/A4), handle made of GFK polypropylene
- Safety clip: avoids unintended closure of the valve, optional for 1" and 2", standard for 3" and 4"
- Features: double O-ring shaft sealing (3" and 4") exchangeable, safety closure system, full flow rate, ¼" x 20 male thread on shaft for easy handle extension (3" and 4"), low weight, available with metric or ASTM connections, quick opening and closing, easy handling and maintenance free, possibility for pneumatic actuation (3" and 4"), pressure PN 3.5 (3" and 4" PN 2.5)

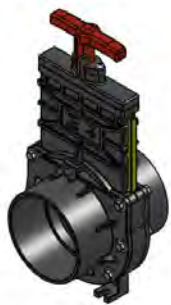
DIMENSIONS

	1½"	2"	2,5"	3-4"
A	146,5	168,5	208	390
B	187	225	282	497
C	73	85	104	180
D	126	147	181	300
E	70	70	94	120

Product	G-kg	PU	Prod.No.	Price €
Knife gate valve DN40 PVC grey PVCu solvent socket ends d32 metric MOP 3,5 bar	0.24	30.00	71746	13.81
Knife gate valve DN40 PVC grey PVCu solvent socket ends d50 metric MOP 3,5 bar	0.30	30.00	70968	13.81
Knife gate valve DN50 PVC grey PVCu solvent socket ends d63 metric MOP 3,5 bar	0.42	25.00	70632	15.78
Knife gate valve DN65 PVC grey PVCu solvent socket ends d75 metric MOP 3,5 bar	0.30	18.00	71518	51.92
Knife gate valve DN80 PVC grey PVCu solvent socket ends d90 metric MOP 2 bar	1.99	2.00	71463	107.30
Knife gate valve DN100 PVC grey PVCu solvent socket ends d110 metric MOP 2 bar	2.08	2.00	71461	162.96
Knife gate valve DN80 PVC white PVCu solvent socket d90 metric MOP 2 bar, special type from 100 pcs	1.99	30.00	7300580	78.83



Type DN80 white identical construction as types up to DN65



Type 3" (Prod.No. 71463) and 4" (Prod.No. 71461) as high-quality models.



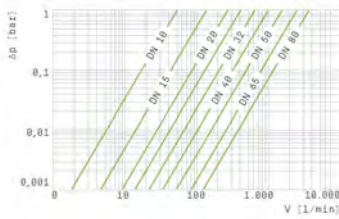
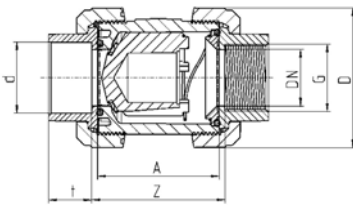
Cone check valve S4 (spring loaded)

- Operation pressure: 0.06 bar
- Operation temperature max. 60°C
- Corrosion-resistant
- Long life-cycle
- Maintenance-free
- Compact design
- Radial installation and dismantling
- Quick and precise opening and closure
- Low noise
- V4A spring

In accordance with EG-VCM safety standards.

DIMENSIONS

d	DD	G	L	L1	A	Z	t	D	PN
16	10	3/8"	114	120	62	67,5	16,5	53	16
20	15	1/2"	124	130	62	67,5	16,5	53	16
25	20	3/4"	144	150	70	76,5	19,5	63	16
32	25	1"	154	160	74	81	22,5	70	16
40	32	1 1/2"	174	180	84	90	26,5	85	16
50	40	1 1/2"	194	200	95	104	31,5	101	16
63	50	2"	224	230	109	121	38,5	121,5	16
75	65	2 1/2"	284	290	137	148	45	155	16
90	80	3"	300	310	163	183	55,5	188	10
110	80	4"	340	350	163	176	64	188	6



Flow pressure loss

Product	G-kg	PU	Prod.No.	Price €
Cone Check Valve S4 DN10 PVC grey PVCu solvent socket ends d16 metric PN16 EPDM	0.17	20.00	121069	23.61
Cone Check Valve S4 DN10 PVC grey PVCu solvent socket ends d16 metric PN16 FPM	0.17	20.00	121087	41.12
Cone Check Valve S4 DN15 PVC grey PVCu solvent socket ends d20 metric PN16 EPDM	0.16	20.00	121088	24.80
Cone Check Valve S4 DN15 PVC grey PVCu solvent socket ends d20 metric PN16 FPM	0.16	20.00	121089	42.97
Cone Check Valve S4 DN20 PVC grey PVCu solvent socket ends d25 metric PN16 EPDM	0.25	20.00	121090	29.73
Cone Check Valve S4 DN20 PVC grey PVCu solvent socket ends d25 metric PN16 FPM	0.25	20.00	121091	51.69
Cone Check Valve S4 DN25 PVC grey PVCu solvent socket ends d32 metric PN16 EPDM	0.32	15.00	121092	35.12
Cone Check Valve S4 DN25 PVC grey PVCu solvent socket ends d32 metric PN16 FPM	0.33	15.00	121093	61.48
Cone Check Valve S4 DN32 PVC grey PVCu solvent socket ends d40 metric PN16 EPDM	0.55	20.00	121094	43.16
Cone Check Valve S4 DN32 PVC grey PVCu solvent socket ends d40 metric PN16 FPM	0.52	20.00	121095	74.87
Cone Check Valve S4 DN40 PVC grey PVCu solvent socket ends d50 metric PN16 EPDM	0.86	10.00	121041	51.88
Cone Check Valve S4 DN40 PVC grey PVCu solvent socket ends d50 metric PN16 FPM	0.52	10.00	121096	89.47
Cone Check Valve S4 DN50 PVC grey PVCu solvent socket ends d63 metric PN16 EPDM	1.26	8.00	121042	70.49
Cone Check Valve S4 DN50 PVC grey PVCu solvent socket ends d63 metric PN16 FPM	1.28	8.00	121097	118.45
Cone Check Valve S4 DN65 PVC grey PVCu solvent socket ends d75 metric PN16 EPDM	2.63	4.00	121098	146.84
Cone Check Valve S4 DN65 PVC grey PVCu solvent socket ends d75 metric PN16 FPM	2.00	4.00	121099	244.19
Cone Check Valve S4 DN80 PVC grey PVCu solvent socket ends d90 metric PN10 EPDM	4.84	1.00	121043	181.83
Cone Check Valve S4 DN80 PVC grey PVCu solvent socket ends d90 metric PN10 FPM	4.98	1.00	121100	311.03
Cone Check Valve S4 DN80 PVC grey PVCu solvent socket ends d110 metric PN6 EPDM	4.76	1.00	122291	242.17
Cone Check Valve S4 DN80 PVC grey PVCu solvent socket ends d110 metric PN6 FPM	4.90	1.00	122388	412.11

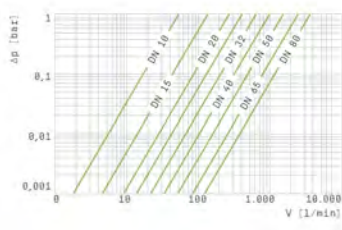
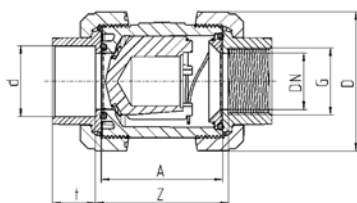


PP type available on request

Cone check valve S4 (spring loaded) V4A PTFE coated (teflon)



- Recommended for pools with salt chlorinating systems
- Operation pressure: 0.06 bar
- Operation temperature max. 60°C
- Corrosion-resistant
- Long life-cycle
- Maintenance-free
- Compact design
- Radial installation and dismantling
- Quick and precise opening and closure
- Low noise
- V4A spring
- In accordance with EG-VCM safety standards.



Flow pressure loss

DIMENSIONS

d	DD	G	L	L1	A	Z	t	D	PN
16	10	3/8"	114	120	62	67,5	16,5	53	16
20	15	1/2"	124	130	62	67,5	16,5	53	16
25	20	3/4"	144	150	70	76,5	19,5	63	16
32	25	1"	154	160	74	81	22,5	70	16
40	32	1 1/4"	174	180	84	90	26,5	85	16
50	40	1 1/2"	194	200	95	104	31,5	101	16
63	50	2"	224	230	109	121	38,5	121,5	16
75	65	2 1/2"	284	290	137	148	45	155	16
90	80	3"	300	310	163	183	55,5	188	10
110	80	4"	340	350	163	176	64	188	6

Product	G-kg	PU	Prod.No.	Price €
Cone Check Valve S4 Spring PTFE-coated DN10 PVC grey PVCu solvent socket ends d16 metric PN16 EPDM	0.17	20.00	121764	25.98
Cone Check Valve S4 Spring PTFE-coated DN10 PVC grey PVCu solvent socket ends d16 metric PN16 FPM	0.17	20.00	122116	31.35
Cone Check Valve S4 Spring PTFE-coated DN15 PVC grey PVCu solvent socket ends d20 metric PN16 EPDM	0.16	20.00	121765	27.25
Cone Check Valve S4 Spring PTFE-coated DN15 PVC grey PVCu solvent socket ends d20 metric PN16 FPM	0.16	20.00	122117	32.75
Cone Check Valve S4 Spring PTFE-coated DN20 PVC grey PVCu solvent socket ends d25 metric PN16 EPDM	0.25	20.00	121766	32.75
Cone Check Valve S4 Spring PTFE-coated DN20 PVC grey PVCu solvent socket ends d25 metric PN16 FPM	0.25	20.00	122118	39.42
Cone Check Valve S4 Spring PTFE-coated DN25 PVC grey PVCu solvent socket ends d32 metric PN16 EPDM	0.33	15.00	121767	38.77
Cone Check Valve S4 Spring PTFE-coated DN25 PVC grey PVCu solvent socket ends d32 metric PN16 FPM	0.33	15.00	122119	46.84
Cone Check Valve S4 Spring PTFE-coated DN32 PVC grey PVCu solvent socket ends d40 metric PN16 EPDM	0.53	20.00	121768	47.60
Cone Check Valve S4 Spring PTFE-coated DN32 PVC grey PVCu solvent socket ends d40 metric PN16 FPM	0.53	15.00	122120	57.07
Cone Check Valve S4 Spring PTFE-coated DN40 PVC grey PVCu solvent socket ends d50 metric PN16 EPDM	0.62	10.00	121769	57.07
Cone Check Valve S4 Spring PTFE-coated DN40 PVC grey PVCu solvent socket ends d50 metric PN16 FPM	0.82	10.00	122121	68.03
Cone Check Valve S4 Spring PTFE-coated DN50 PVC grey PVCu solvent socket ends d63 metric PN16 EPDM	1.28	8.00	121770	77.48
Cone Check Valve S4 Spring PTFE-coated DN50 PVC grey PVCu solvent socket ends d63 metric PN16 FPM	1.28	8.00	122122	89.84
Cone Check Valve S4 Spring PTFE-coated DN65 PVC grey PVCu solvent socket ends d75 metric PN16 EPDM	2.68	4.00	121771	161.38
Cone Check Valve S4 Spring PTFE-coated DN65 PVC grey PVCu solvent socket ends d75 metric PN16 FPM	2.66	4.00	122123	186.12
Cone Check Valve S4 Spring PTFE-coated DN80 PVC grey PVCu solvent socket ends d90 metric PN10 EPDM	5.24	1.00	121772	200.10
Cone Check Valve S4 Spring PTFE-coated DN80 PVC grey PVCu solvent socket ends d90 metric PN10 FPM	4.92	1.00	122124	295.17
Cone Check Valve S4 Spring PTFE-coated DN80 PVC grey PVCu solvent socket ends d110 metric PN6 EPDM	4.87	1.00	122721	259.82
Cone Check Valve S4 Spring PTFE-coated DN80 PVC grey PVCu solvent socket ends d110 metric PN6 FPM	4.79	1.00	122720	295.17

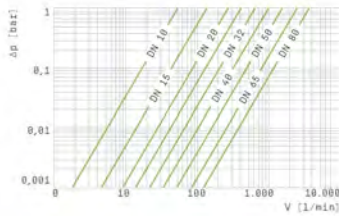
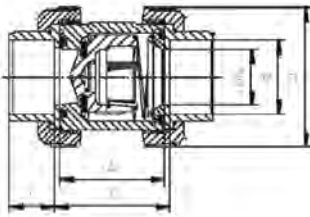


PP type available on request



Cone check valve S6 (swimming pool version)

- Operation pressure 0.03 bar
- Operation temperature max. 60 °C
- Radial installation and disassembly possible
- Best flow rates
- Service-friendly
- Transparent body (optional)
- 3/4" drain valve (optinal)
- Low opening pressure
- Low pressure loss
- Same length as ball valve S6
- Spring material: SS316 / V4A



Flow pressure loss



Drain valve not included in delivery



DIMENSIONS

d	DN	G	L	L1	A	Z	t	D	PN
40	32	1 1/2"	167	173	77	84	26,5	101,5	16
50	40	1 1/2"	176	182	77	87	31,5	101,5	16
63	50	2"	202	208	87	99	38,5	115,5	16

Product	G-kg	PU	Prod.No.	Price €
CONE CHECK VALVE GREY				
Cone Check Valve S6 DN32 PVC grey PVCu solvent socket ends d40 metric PN16 EPDM	0.65	20.00	126358	27.04
Cone Check Valve S6 DN32 PVC grey PVCu solvent socket ends d40 metric PN16 FPM	0.65	20.00	126361	39.23
Cone Check Valve S6 DN40 PVC grey PVCu solvent socket ends d50 metric PN16 EPDM	0.67	20.00	126359	29.50
Cone Check Valve S6 DN40 PVC grey PVCu solvent socket ends d50 metric PN16 FPM	0.70	20.00	126362	46.90
Cone Check Valve S6 DN50 PVC grey PVCu solvent socket ends d63 metric PN16 EPDM	0.97	10.00	126360	41.79
Cone Check Valve S6 DN50 PVC grey PVCu solvent socket ends d63 metric PN16 FPM	0.98	10.00	126363	61.71
CONE CHECK VALVE TRANSPARENT				
Cone Check Valve S6 DN32 PVC transparent PVCu solvent socket ends d40 metric PN16 EPDM	0.60	20.00	126364	37.62
Cone Check Valve S6 DN32 PVC transparent PVCu solvent socket ends d40 metric PN16 FPM	0.65	20.00	126367	43.37
Cone Check Valve S6 DN40 PVC transparent PVCu solvent socket ends d50 metric PN16 EPDM	0.65	20.00	126365	45.21
Cone Check Valve S6 DN40 PVC transparent PVCu solvent socket ends d50 metric PN10 FPM	0.70	20.00	126368	49.88
Cone Check Valve S6 DN50 PVC transparent PVCu solvent socket ends d63 metric PN16 EPDM	0.95	10.00	126366	56.75
Cone Check Valve S6 DN50 PVC transparent PVCu solvent socket ends d63 metric PN16 FPM	1.03	10.00	126369	61.37
CONE CHECK VALVE WITH 3/4" THREAD FOR DRAIN VALVE				
Cone Check Valve S6 with R 3/4" connection, DN32 PVC grey PVCu solvent socket ends d40 metric PN16 EPDM	0.63	20.00	126352	35.96
Cone Check Valve S6 with R 3/4" connection, DN32 PVC grey PVCu solvent socket ends d40 metric PN16 FPM	0.66	20.00	126355	39.77
Cone Check Valve S6 with R 3/4" connection, DN40 PVC grey PVCu solvent socket ends d50 metric PN16 EPDM	0.67	20.00	126353	43.26
Cone Check Valve S6 with R 3/4" connection, DN40 PVC grey PVCu solvent socket ends d50 metric PN16 FPM	0.68	20.00	126356	39.77
Cone Check Valve S6 with R 3/4" connection, DN50 PVC grey PVCu solvent socket ends d63 metric PN16 EPDM	0.89	10.00	126354	58.73
Cone Check Valve S6 with R 3/4" connection, DN50 PVC grey PVCu solvent socket ends d63 metric PN16 FPM	1.03	10.00	126357	51.10
DRAIN VALVE				
Drain valves for Cone Check Valve male thread ends 3/4"	0.03	100.00	73598	8.75
Drain valves for Cone Check Valve Hose nozzle/male thread 3/4"	0.06	500.00	70207	8.75



Wafer check valve (PVC-C)

- Transparent lid
- Best flow rate
- Reduced pressure loss
- Unique sealing technology
- Service-friendly
- D 50 reduction (optional)
- Inner diameter d63, outer diameter d75

Product	G-kg	PU	Prod.No.	Price €
Wafer check valve spring-loaded DN50 CPVC grey CPVC EPDM	0.58	12.00	78016	54.74



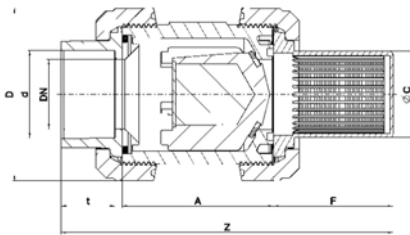
The unique geometry of the integrated flap with high-quality EPDM sealing guarantees best flow values and sealing in the application.

Foot valve S4



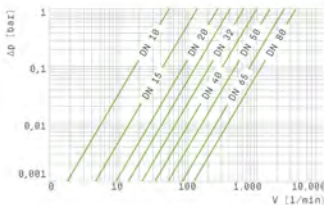
- PVC coated metal cone inside
 - Operation pressure 0,025 bar
 - Operation temperature max. 60 °C
 - Inline strainer material: PP
 - Corrosion-proof
 - Long durability
 - Service-free
 - Compact design
 - Radial installation and disassembly possible
 - Quick and precise opening and closing
 - Low-noise
- According to EG VCM safety regulation.

DIMENSIONS (MM)



d	DN	A	Z	t	D	PN
16	10	62	67,5	16,5	53	16
20	15	62	67,5	16,5	53	16
25	20	70	76,5	19,5	63	16
32	25	74	81	22,5	70	16
40	32	84	90	26,5	85	16
50	40	95	104	31,5	101	16
63	50	109	121	38,5	121,5	16
75	65	137	148	45	155	16
90	80	163	183	55,5	188	10
110	80	163	176	64	188	6

Product	G-kg	PU	Prod.No.	Price €
SOLVENT SOCKET d16–d40 EPDM OR FPM				
Foot valve S4 DN10 PVC grey PVCu solvent socket ends d16 metric PN16 EPDM	0.22	20.00	121323	21.24
Foot valve S4 DN10 PVC grey PVCu solvent socket ends d16 metric PN16 FPM	0.21	20.00	121324	39.40
Foot valve S4 DN15 PVC grey PVCu solvent socket ends d20 metric PN16 EPDM	0.21	20.00	121329	22.38
Foot valve S4 DN15 PVC grey PVCu solvent socket ends d20 metric PN16 FPM	0.21	20.00	121330	41.12
Foot valve S4 DN20 PVC grey PVCu solvent socket ends d25 metric PN16 EPDM	0.30	15.00	121335	25.96
Foot valve S4 DN20 PVC grey PVCu solvent socket ends d25 metric PN16 FPM	0.30	15.00	121336	48.28
Foot valve S4 DN25 PVC grey PVCu solvent socket ends d32 metric PN16 EPDM	0.38	10.00	121341	29.53
Foot valve S4 DN25 PVC grey PVCu solvent socket ends d32 metric PN16 FPM	0.42	10.00	121342	55.41
Foot valve S4 DN32 PVC grey PVCu solvent socket ends d40 metric PN16 EPDM	0.62	15.00	121347	37.73
Foot valve S4 DN32 PVC grey PVCu solvent socket ends d40 metric PN16 FPM	0.70	15.00	121348	69.71
SOLVENT SOCKET d50–d110 EPDM OR FPM				
Foot valve S4 DN40 PVC grey PVCu solvent socket ends d50 metric PN16 EPDM	0.98	10.00	121354	47.65
Foot valve S4 DN40 PVC grey PVCu solvent socket ends d50 metric PN16 FPM	1.00	10.00	121355	86.36
Foot valve S4 DN50 PVC grey PVCu solvent socket ends d63 metric PN16 EPDM	1.39	8.00	121361	65.61
Foot valve S4 DN50 PVC grey PVCu solvent socket ends d63 metric PN16 FPM	1.41	8.00	121362	115.89
Foot valve S4 DN65 PVC grey PVCu solvent socket ends d75 metric PN16 EPDM	3.66	4.00	121367	138.33
Foot valve S4 DN65 PVC grey PVCu solvent socket ends d75 metric PN16 FPM	3.79	4.00	121368	242.63
Foot valve S4 DN80 PVC grey PVCu solvent socket ends d90 metric PN10 EPDM	6.58	1.00	121373	170.11
Foot valve S4 DN80 PVC grey PVCu solvent socket ends d90 metric PN10 FPM	6.71	1.00	121374	306.37
Foot valve S4 DN80 PVC grey PVCu solvent socket ends d110 metric PN6 EPDM	6.62	1.00	122389	226.42
Foot valve S4 DN80 PVC grey PVCu solvent socket ends d110 metric PN6 FPM	6.59	1.00	122390	407.44



Flow pressure loss



PP type available on request

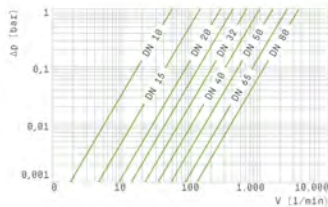
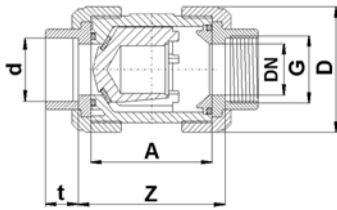


Aerating and ventilation valve S4

- PVC cone hollow body inside floating on the media
 - Operation temperature max. 60 °C
 - Corrosion-free
 - Long durability
 - Service-free
 - Compact design
 - Radial installation and disassembly possible
 - Quick and precise opening and closure
 - Low-noise
- According to EG-VCM safety regulation.

DIMENSIONS

d	DN	G	A	Z	t	D	PN
16	10	3/8"	62	67,5	16,5	53	16
20	15	1/2"	62	67,5	16,5	53	16
25	20	3/4"	70	76,5	19,5	63	16
32	25	1"	74	81	22,5	70	16
40	32	1 1/4"	84	90	26,5	85	16
50	40	1 1/2"	95	104	31,5	101	16
63	50	2"	109	121	38,5	121,5	16
75	65	2 1/2"	137	148	45	155	16
90	80	3"	163	183	55,5	188	10
110	80	4"	163	176	64	188	6



Flow pressure loss

Product	G-kg	PU	Prod.No.	Price €
Aerating Valve S4 DN10 PVC grey PVCu solvent socket ends d16 metric PN16 EPDM	0.17	20.00	121262	19.29
Aerating Valve S4 DN10 PVC grey PVCu solvent socket ends d16 metric PN16 FPM	0.30	20.00	121263	36.60
Aerating Valve S4 DN15 PVC grey PVCu solvent socket ends d20 metric PN16 EPDM	0.16	20.00	121264	20.54
Aerating Valve S4 DN15 PVC grey PVCu solvent socket ends d20 metric PN16 FPM	0.30	20.00	121265	38.33
Aerating Valve S4 DN20 PVC grey PVCu solvent socket ends d25 metric PN16 EPDM	0.24	20.00	121266	21.96
Aerating Valve S4 DN20 PVC grey PVCu solvent socket ends d25 metric PN16 FPM	0.21	20.00	121267	42.21
Aerating Valve S4 DN25 PVC grey PVCu solvent socket ends d32 metric PN16 EPDM	0.32	15.00	121268	24.94
Aerating Valve S4 DN25 PVC grey PVCu solvent socket ends d32 metric PN16 FPM	0.32	20.00	121269	48.58
Aerating Valve S4 DN32 PVC grey PVCu solvent socket ends d40 metric PN16 EPDM	0.51	20.00	121270	33.74
Aerating Valve S4 DN32 PVC grey PVCu solvent socket ends d40 metric PN16 FPM	0.52	15.00	121271	63.83
Aerating Valve S4 DN40 PVC grey PVCu solvent socket ends d50 metric PN16 EPDM	0.80	10.00	121272	46.15
Aerating Valve S4 DN40 PVC grey PVCu solvent socket ends d50 metric PN16 FPM	0.78	10.00	121273	84.19
Aerating Valve S4 DN50 PVC grey PVCu solvent socket ends d63 metric PN16 EPDM	1.26	8.00	121274	64.17
Aerating Valve S4 DN50 PVC grey PVCu solvent socket ends d63 metric PN16 FPM	1.38	8.00	121275	113.57
Aerating Valve S4 DN65 PVC grey PVCu solvent socket ends d75 metric PN16 EPDM	2.74	4.00	121276	136.29
Aerating Valve S4 DN65 PVC grey PVCu solvent socket ends d75 metric PN16 FPM	2.75	4.00	121277	239.49
Aerating Valve S4 DN80 PVC grey PVCu solvent socket ends d90 metric PN10 EPDM	4.40	1.00	121278	167.01
Aerating Valve S4 DN80 PVC grey PVCu solvent socket ends d90 metric PN10 FPM	4.56	1.00	121279	301.69
Aerating Valve S4 DN80 PVC grey PVCu solvent socket ends d110 metric PN6 EPDM	4.40	1.00	122391	223.36
Aerating Valve S4 DN80 PVC grey PVCu solvent socket ends d110 metric PN6 FPM	4.29	1.00	122392	401.23



PP type available on request

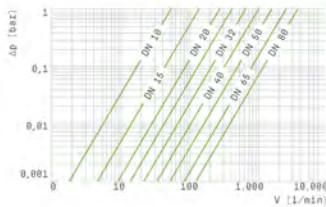
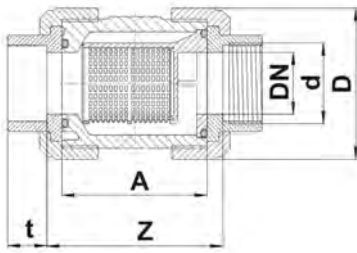


Inline strainer S4 with plastic sieve

- Operation temperature max. 60 °C
- Plastic insert 1.8 mm (1800 micron)
- Radial installation and disassembly possible
- Transparent body
- Best flow rates
- Service-friendly

DIMENSIONS

d	DN	G	A	Z	t	D	PN
16	10	3/8"	62	67,5	16,5	53	16
20	15	1/2"	62	67,5	16,5	53	16
25	20	3/4"	70	76,5	19,5	63	16
32	25	1"	74	81	22,5	70	16
40	32	1 1/4"	84	90	26,5	85	16
50	40	1 1/2"	95	104	31,5	101	16
63	50	2"	109	121	38,5	121,5	16
75	65	2 1/2"	137	148	45	155	16
90	80	3"	163	183	55,5	188	10
110	80	4"	163	176	64	188	6



Flow pressure loss

Product	G-kg	PU	Prod.No.	Price €
Line strainer S4 with plastic sreen mesh size 1,8 mm DN10 PVC transparent PVCu solvent socket ends d16 metric PN16 EPDM	0.16	20.00	121701	23.61
Line strainer S4 with plastic sreen mesh size 1,8 mm DN10 PVC transparent PVCu solvent socket ends d16 metric PN16 FPM	0.15	20.00	120459	40.48
Line strainer S4 with plastic sreen mesh size 1,8 mm DN15 PVC transparent PVCu solvent socket ends d20 metric PN16 EPDM	0.16	20.00	121702	24.80
Line strainer S4 with plastic sreen mesh size 1,8 mm DN15 PVC transparent PVCu solvent socket ends d20 metric PN16 FPM	0.15	20.00	120460	42.21
Line strainer S4 with plastic sreen mesh size 1,8 mm DN20 PVC transparent PVCu solvent socket ends d25 metric PN16 EPDM	0.24	15.00	121703	29.73
Line strainer S4 with plastic sreen mesh size 1,8 mm DN20 PVC transparent PVCu solvent socket ends d25 metric PN16 FPM	0.23	15.00	120461	51.83
Line strainer S4 with plastic sreen mesh size 1,8 mm DN25 PVC transparent PVCu solvent socket ends d32 metric PN16 EPDM	0.32	15.00	121704	35.12
Line strainer S4 with plastic sreen mesh size 1,8 mm DN25 PVC transparent PVCu solvent socket ends d32 metric PN16 FPM	0.30	15.00	120462	61.48
Line strainer S4 with plastic sreen mesh size 1,8 mm DN32 PVC transparent PVCu solvent socket ends d40 metric PN16 EPDM	0.47	20.00	121705	43.16
Line strainer S4 with plastic sreen mesh size 1,8 mm DN32 PVC transparent PVCu solvent socket ends d40 metric PN16 FPM	0.47	20.00	120465	74.88
Line strainer S4 with plastic sreen mesh size 1,8 mm DN40 PVC transparent PVCu solvent socket ends d50 metric PN16 EPDM	0.72	10.00	121706	51.88
Line strainer S4 with plastic sreen mesh size 1,8 mm DN40 PVC transparent PVCu solvent socket ends d50 metric PN16 FPM	0.70	10.00	120466	89.47
Line strainer S4 with plastic sreen mesh size 1,8 mm DN50 PVC transparent PVCu solvent socket ends d63 metric PN16 EPDM	1.90	8.00	121707	70.49
Line strainer S4 with plastic sreen mesh size 1,8 mm DN50 PVC transparent PVCu solvent socket ends d63 metric PN16 FPM	1.15	8.00	120467	117.74
Line strainer S4 with plastic sreen mesh size 1,8 mm DN65 PVC transparent PVCu solvent socket ends d75 metric PN16 EPDM	2.42	4.00	121708	146.84
Line strainer S4 with plastic sreen mesh size 1,8 mm DN65 PVC transparent PVCu solvent socket ends d75 metric PN16 FPM	2.38	4.00	120468	244.19
Line strainer S4 with plastic sreen mesh size 1,8 mm DN80 PVC transparent PVCu solvent socket ends d90 metric PN10 EPDM	4.06	1.00	121709	181.83
Line strainer S4 with plastic sreen mesh size 1,8 mm DN80 PVC transparent PVCu solvent socket ends d90 metric PN10 FPM	2.50	1.00	120469	311.03
Line strainer S4 with plastic sreen mesh size 1,8 mm DN80 PVC transparent PVCu solvent socket ends d110 metric PN6 EPDM	5.20	1.00	121710	240.98
Line strainer S4 with plastic sreen mesh size 1,8 mm DN80 PVC transparent PVCu solvent socket ends d110 metric PN6 FPM	3.91	1.00	125407	412.11

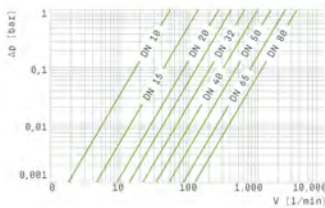
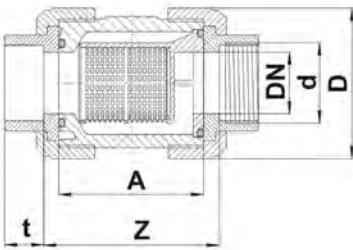


Inline strainer S4 for stainless steel sieve

- Operation temperature max. 60 °C
- Sieve stainless steel SS304: 0.5 mm, 0.75 mm, 1 mm (next page, to order separately)
- Radial installation and disassembly possible
- Transparent body
- Best flow rates
- Service- friendly

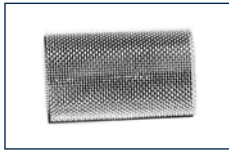
DIMENSIONS

d	DN	G	A	Z	t	D	PN
16	10	3/8"	62	67,5	16,5	53	16
20	15	1/2"	62	67,5	16,5	53	16
25	20	3/4"	70	76,5	19,5	63	16
32	25	1"	74	81	22,5	70	16
40	32	1 1/4"	84	90	26,5	85	16
50	40	1 1/2"	95	104	31,5	101	16
63	50	2"	109	121	38,5	121,5	16
75	65	2 1/2"	137	148	45	155	16
90	80	3"	163	183	55,5	188	10
110	80	4"	163	176	64	188	6



Flow pressure loss

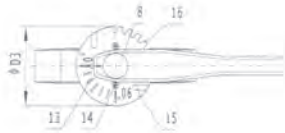
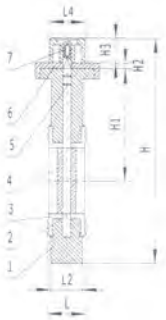
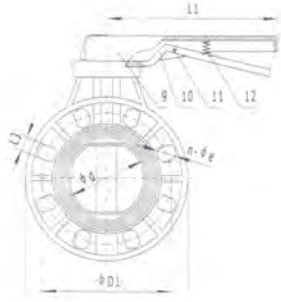
Product	G-kg	PU	Prod.No.	Price €
INLINE STRAINER S4, d16–d110				
Line strainer S4 for stainless steel screen DN10 PVC transparent PVCu solvent socket ends d16 metric PN16 EPDM for stainless steel screen 0,5-0,75-1,0	0.16	20.00	124707	20.81
Line strainer S4 for stainless steel screen DN10 PVC transparent PVCu solvent socket ends d16 metric PN16 FPM for stainless steel screen 0,5-0,75-1,0	0.15	20.00	127177	36.42
Line strainer S4 for stainless steel screen DN15 PVC transparent PVCu solvent socket ends d20 metric PN16 EPDM for stainless steel screen 0,5-0,75-1,0	0.15	20.00	124708	22.00
Line strainer S4 for stainless steel screen DN15 PVC transparent PVCu solvent socket ends d20 metric PN16 FPM for stainless steel screen 0,5-0,75-1,0	0.15	20.00	127178	38.15
Line strainer S4 for stainless steel screen DN20 PVC transparent PVCu solvent socket ends d25 metric PN16 EPDM for stainless steel screen 0,5-0,75-1,0	0.22	15.00	124709	26.93
Line strainer S4 for stainless steel screen DN20 PVC transparent PVCu solvent socket ends d25 metric PN16 FPM for stainless steel screen 0,5-0,75-1,0	0.22	15.00	127179	47.82
Line strainer S4 for stainless steel screen DN25 PVC transparent PVCu solvent socket ends d32 metric PN16 EPDM for stainless steel screen 0,5-0,75-1,0	0.29	15.00	124710	32.33
Line strainer S4 for stainless steel screen DN25 PVC transparent PVCu solvent socket ends d32 metric PN16 FPM for stainless steel screen 0,5-0,75-1,0	0.29	15.00	127180	57.45
Line strainer S4 for stainless steel screen DN32 PVC transparent PVCu solvent socket ends d40 metric PN16 EPDM for stainless steel screen 0,5-0,75-1,0	0.47	20.00	124711	39.85
Line strainer S4 for stainless steel screen DN32 PVC transparent PVCu solvent socket ends d40 metric PN16 FPM for stainless steel screen 0,5-0,75-1,0	0.46	20.00	127181	70.03
Line strainer S4 for stainless steel screen DN40 PVC transparent PVCu solvent socket ends d50 metric PN16 EPDM for stainless steel screen 0,5-0,75-1,0	0.73	10.00	124712	48.43
Line strainer S4 for stainless steel screen DN40 PVC transparent PVCu solvent socket ends d50 metric PN16 FPM for stainless steel screen 0,5-0,75-1,0	0.75	10.00	127182	84.50
Line strainer S4 for stainless steel screen DN50 PVC transparent PVCu solvent socket ends d63 metric PN16 EPDM for stainless steel screen 0,5-0,75-1,0	1.20	8.00	124713	66.40
Line strainer S4 for stainless steel screen DN50 PVC transparent PVCu solvent socket ends d63 metric PN16 FPM for stainless steel screen 0,5-0,75-1,0	1.22	8.00	127183	111.88
Line strainer S4 for stainless steel screen DN65 PVC transparent PVCu solvent socket ends d75 metric PN16 EPDM for stainless steel screen 0,5-0,75-1,0	2.34	4.00	124714	142.02
Line strainer S4 for stainless steel screen DN65 PVC transparent PVCu solvent socket ends d75 metric PN16 FPM for stainless steel screen 0,5-0,75-1,0	2.36	4.00	127184	237.19
Line strainer S4 for stainless steel screen DN80 PVC transparent PVCu solvent socket ends d90 metric PN10 EPDM for stainless steel screen 0,5-0,75-1,0	3.90	1.00	124715	174.26



Product	G-kg	PU	Prod.No.	Price €
Line strainer S4 for stainless steel screen DN80 PVC transparent PVCu solvent socket ends d90 metric PN10 FPM for stainless steel screen 0,5-0,75-1,0	3.92	1.00	127185	300.14
Line strainer S4 for stainless steel screen DN80 PVC transparent PVCu solvent socket ends d110 metric PN6 EPDM for stainless steel screen 0,5-0,75-1,0	3.86	1.00	124716	234.92
Line strainer S4 for stainless steel screen DN80 PVC transparent PVCu solvent socket ends d110 metric PN6 FPM for stainless steel screen 0,5-0,75-1,0	3.88	1.00	127186	396.61
STAINLESS STEEL STRAINER 0.5 MM (2)				
Stainless steel strainer insert for line strainer Mesh size 0,5 mm DN10/15 Mat. 1.4301 d16/20	0.01	20.00	50606	6.81
Stainless steel strainer insert for line strainer Mesh size 0,5 mm DN20/25 Mat. 1.4301 d25/32	0.01	15.00	50608	8.55
Stainless steel strainer insert for line strainer Mesh size 0,5 mm DN32 Mat. 1.4301 d40	0.01	20.00	50609	9.62
Stainless steel strainer insert for line strainer Mesh size 0,5 mm DN40 Mat. 1.4301 d50	0.01	10.00	50610	11.75
Stainless steel strainer insert for line strainer Mesh size 0,5 mm DN50 Mat. 1.4301 d63	0.02	8.00	50611	13.67
Stainless steel strainer insert for line strainer Mesh size 0,5 mm DN65 Mat. 1.4301 d75	0.03	4.00	50612	20.66
Stainless steel strainer insert for line strainer Mesh size 0,5 mm DN80 Mat. 1.4301 d90	0.04	1.00	50613	25.21
STAINLESS STEEL STRAINER 0.75 MM (2)				
Stainless steel strainer insert for line strainer Mesh size 0,75 mm DN10/15 Mat. 1.4301	0.02	20.00	50614	7.51
Stainless steel strainer insert for line strainer Mesh size 0,75 mm DN20/25 Mat. 1.4301	0.02	15.00	50616	9.43
Stainless steel strainer insert for line strainer Mesh size 0,75 mm DN32 Mat. 1.4301	0.01	20.00	50617	10.60
Stainless steel strainer insert for line strainer Mesh size 0,75 mm DN40 Mat. 1.4301	0.01	10.00	50618	12.94
Stainless steel strainer insert for line strainer Mesh size 0,75 mm DN50 Mat. 1.4301	0.01	8.00	50619	15.00
Stainless steel strainer insert for line strainer Mesh size 0,75 mm DN65 Mat. 1.4301	0.02	4.00	50620	22.76
Stainless steel strainer insert for line strainer Mesh size 0,75 mm DN80 Mat. 1.4301	0.03	1.00	50621	27.76
STAINLESS STEEL STRAINER 1.0 MM (2)				
Stainless steel strainer insert for line strainer Mesh size 1 mm DN10/15 Mat. 1.4301 d16/20	0.02	20.00	50622	6.81
Stainless steel strainer insert for line strainer Mesh size 1 mm DN20/25 Mat. 1.4301 d25/32	0.02	15.00	50624	8.55
Stainless steel strainer insert for line strainer Mesh size 1 mm DN32 Mat. 1.4301 d40	0.01	20.00	50625	9.62
Stainless steel strainer insert for line strainer Mesh size 1 mm DN40 Mat. 1.4301 d50	0.01	10.00	50626	11.75
Stainless steel strainer insert for line strainer Mesh size 1 mm DN50 Mat. 1.4301 d63	0.01	8.00	50627	13.67
Stainless steel strainer insert for line strainer Mesh size 1 mm DN65 Mat. 1.4301 d75	0.02	4.00	50628	20.66
Stainless steel strainer insert for line strainer Mesh size 1 mm DN80 Mat. 1.4301 d90	0.03	1.00	50629	25.21



Symbol image



Multinorm:
DIN 2501, ANSI B 16,5 Class 150, JIS 10 K

Butterfly valve (PVC-U)

Characteristics: best flow rates, lower pressure loss, corrosion-free, easy handling, radial installation and disassembly possible, reduced torque, compact design for use in hotel pool, natural pool and aquaristic industry.

DIMENSIONS (PART 1)

	Ø D	Ø D1		Ø d		Ø D3	L1	L1	L2	L3	L4
	DIN	ANSI*	JIS*								
DN80 /3"	196	160	152	150	80	120	240	49	43	20	45
DN100 /4"	228	180	191	175	100	120	240	54	48	20	45
DN125 /5"	258	210	216	210	125	160	310	64	58	20	70
DN150 /6"	287	240	241	240	150	160	310	70	63	24	70
DN200 /8"	344	295	298	290	200	160	310	88	80	24	70

DIMENSIONS (PART 2)

	H	H1	H2	H3	n-Øe			OPR		WGT	TRQ
					DIN	ANSI*	JIS*				
DN80 /3"	278	132	8	40	8-18	4-19	8-19	150psi	1,0MPa	1,8	<15
DN100 /4"	318	156	8	40	8-18	8-19	8-19	150psi	1,0MPa	2,4	<22
DN125 /5"	367	195	12	55	8-18	8-22	8-23	150psi	1,0MPa	4,2	<40
DN150 /6"	399	188	12	55	8-22	8-22	8-23	150psi	1,0MPa	4,75	<45
DN200 /8"	469	230	12	55	8-23	8-22	12-23	100psi	0,6MPa	7,6	<65

Product	G-kg	PU	Prod.No.	Price €
Butterfly Valve ECO DN80 PVC d90 - 3" DIN/ISO PN10 EPDM flange drilling	1.90	10.00	78112	87.74
Butterfly Valve ECO DN100 PVC d110 - 4" DIN/ISO PN10 EPDM flange drilling	2.50	8.00	78113	103.18
Butterfly Valve ECO DN125 PVC d140 - 5" DIN/ISO PN10 EPDM flange drilling	4.40	5.00	78114	131.41
Butterfly Valve ECO DN150 PVC d160 - 6" DIN/ISO PN6 EPDM flange drilling	5.00	4.00	78115	153.84
Butterfly Valve ECO DN200 PVC d225 - 8" DIN/ISO PN6 EPDM flange drilling	8.00	3.00	78116	206.61

Praher Plastics PVC-U fix flange DIN-ANSI-JIS

Optimal supplement for the Praher Plastics K4 butterfly valves and wafer check valves. For professional and safe installation.

Product	G-kg	PU	Prod.No.	Price €
Fix flange - turned - DN15 PVC grey solvent socket d20 DIN-ANSI-JIS PN16	0.09	1.00	142069	14.68
Fix flange - turned - DN20 PVC grey solvent socket d25 DIN-ANSI-JIS PN16	0.11	1.00	142070	15.02
Fix flange - turned - DN25 PVC grey solvent socket d32 DIN-ANSI-JIS PN16	0.18	1.00	142071	18.22
Fix flange - turned - DN32 PVC grey solvent socket d40 DIN-ANSI-JIS PN16	0.24	1.00	142072	24.89
Fix flange - turned - DN40 PVC grey solvent socket d50 DIN-ANSI-JIS PN16	0.33	1.00	142073	26.10
Fix flange - turned - DN50 PVC grey solvent socket d63 DIN-ANSI-JIS PN16	0.45	1.00	142074	31.84
Fix flange - turned - DN65 PVC grey solvent socket d75 DIN-ANSI-JIS PN16	0.65	1.00	142075	38.23
Fix flange - turned - DN80 PVC grey solvent socket d90 DIN-ANSI-JIS PN16	0.82	1.00	142076	42.65
Fix flange - turned - DN100 PVC grey solvent socket d110 DIN-ANSI-JIS PN16	0.96	1.00	142077	44.07
Fix flange - turned - DN150 PVC grey solvent socket d160 DIN-ANSI-JIS	1.94	1.00	142174	0.00



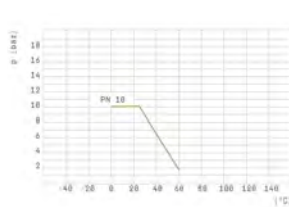
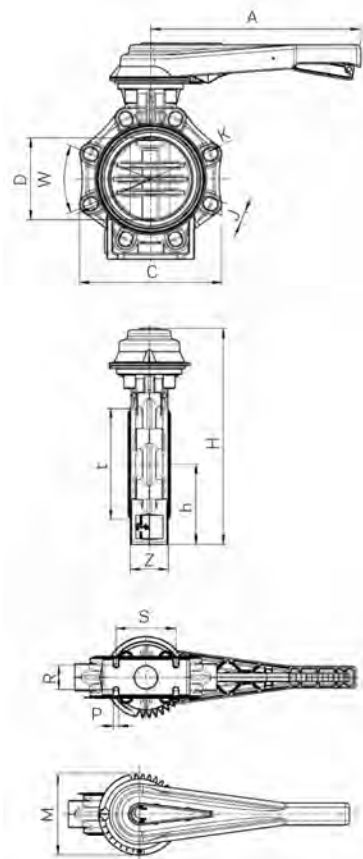
MAXIMUM SAFETY	EASY AUTOMATION
SAFETY HANDLE	COMPLETE SPARE PART SERVICE

Butterfly valve K4

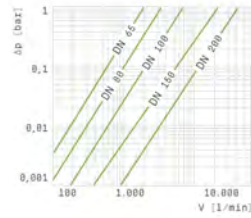
- Operation temperature max. 60 °C
- Safety handle system
- Radial installation and disassembly possible
- Flow-unindependent flow direction
- Full sectional area (nominal width)
- PPGFK locking plate with 10 notches
- Integrated valve fastener
- Stainless steel shaft SS304 (no medium contact)
- Manschettendichtung (Gehäuse ist nicht mediumberührt)
- Double shaft sealing
- Handle with identification plate (available in different colours)
- Hand wheel (optional)

DIMENSIONS

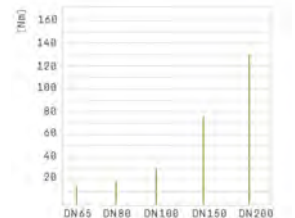
DN	d	G	A	D	C	W	J	K	H	h	E	M	Z	S	R	P	PN
65	75	2 1/2"	230	65	133	90°	19	127 - 145	285	100	98	114	46	55	25	7	10
80	90	3"	230	80	176	45°	19	146 - 160	292	100	116	114	49	70	30	9	10
100	110	4"	300	100	206	45°	19	175 - 190,5	322	115	146	114	56	85	35	9	10
125	140	5"	300	125	234,5	45°	23	209,5 - 216	358	130	170	114	64	100	45	9	10
150	160	6"	386	150	261	45°	23	234,5 - 241,3	396	147,5	196	150	70	110	45	9	10
200	225	8"	386	200	314	45°	23	290 - 298,5	458	175	251	150	71	145	40	9	10



Pressure temperature

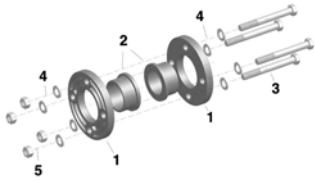


Flow pressure loss



Drehmoment (Flap)

Product	G-kg	PU	Prod.No.	Price €
Butterfly valve K4				
Butterfly Valve K4 DN65 PVC grey Flange-connection 75-2 1/2" DIN-ANSI-JIS-BS PN10 EPDM	1.62	1.00	125860	179.32
Butterfly Valve K4 DN65 PVC grey Flange-connection 75-2 1/2" DIN-ANSI-JIS-BS PN10 FPM	1.77	1.00	125865	281.58
Butterfly Valve K4 DN80 PVC grey Flange-connection 90-3" DIN-ANSI-JIS-BS PN10 EPDM	1.20	1.00	125861	211.93
Butterfly Valve K4 DN80 PVC grey Flange-connection 90-3" DIN-ANSI-JIS-BS PN10 FPM	1.61	1.00	125866	348.55
Butterfly Valve K4 DN100 PVC grey Flange-connection 110-4" DIN-ANSI-JIS-BS PN10 EPDM	2.50	1.00	125862	251.05
Butterfly Valve K4 DN100 PVC grey Flange-connection 110-4" DIN-ANSI-JIS-BS PN10 FPM	2.50	1.00	125867	384.90
Butterfly Valve K4 DN125 PVC grey Flange-connection 140-5" DIN-ANSI-JIS-BS PN10 EPDM	3.30	1.00	128456	322.78
Butterfly Valve K4 DN125 PVC grey Flange-connection 140-5" DIN-ANSI-JIS-BS PN10 FPM	3.49	1.00	128457	568.05
Butterfly Valve K4 DN150 PVC grey Flange-connection 160-6" DIN-ANSI-JIS-BS PN10 EPDM	4.65	1.00	125863A	374.95
Butterfly Valve K4 DN150 PVC grey Flange-connection 160-6" DIN-ANSI-JIS-BS PN10 FPM	4.80	1.00	125868A	636.81
Butterfly Valve K4 DN200 PVC grey Flange-connection 225-8" DIN-ANSI-BS PN10 EPDM	7.10	1.00	125864	528.18
Butterfly Valve K4 DN200 PVC grey Flange-connection 225-8" DIN-ANSI-BS PN10 FPM	7.20	1.00	125869	858.24



Product	G-kg	PU	Prod.No.	Price €
PVC flange set (DIN PN10)				
Flange set for Butterfly Valve K4 DN65 PVC grey 63 - 2" DIN PN10 (screw set zonc coated)	2.44	1.00	142166	68.42
Flange set for Butterfly Valve K4 DN65 PVC grey 75 - 2 1/2" DIN PN10 (screw set zonc coated)	2.73	1.00	142167	87.87
Flange set for Butterfly Valve K4 DN80 PVC grey 90 - 3" DIN PN10 (screw set zonc coated)	4.70	1.00	142168	143.79
Flange set for Butterfly Valve K4 DN100 PVC grey 110 - 4" DIN PN10 (screw set zonc coated)	4.89	1.00	142169	180.67
Flange set for Butterfly Valve K4 DN125 PVC grey 140 - 5" DIN PN10 (screw set zonc coated)	6.24	1.00	142170	206.48
Flange set for Butterfly Valve K4 DN150 PVC grey 160 - 6" DIN PN10 (screw set zonc coated)	9.49	1.00	142171	339.24
Flange set for Butterfly Valve K4 DN200 PVC grey 225 - 8" DIN PN10 (screw set zonc coated)	11.84	1.00	142172	438.76



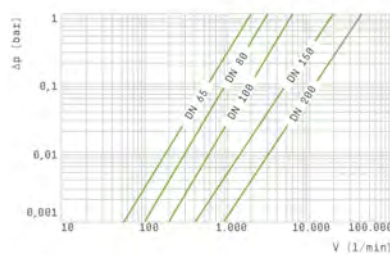
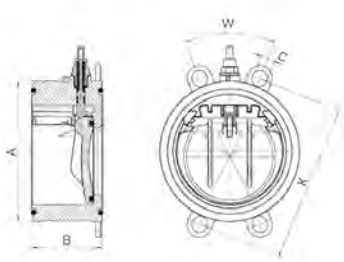
Wafer check valve K4

- Operation temperature: max. 60 °C
- Simple and robust design
- Service-free
- Optical position indication
- Available with or without indication pin
- Very low pressure loss due to wide opening angle of the flap 83°
- Complete flap opening also in PP and PE piping systems guaranteed
- Version with spring set (2 springs PN10, large spring PN7 and small spring Feder PN3) allows adjustment of the valve to pressure ratio in the system
- Easy installation between flanges due to formed screw loops
- (DIN; ANSI; JIS) and O-rings on the front side
- No additional outlet flange necessary
- Extremely low pressure loss
- Higher operation pressure

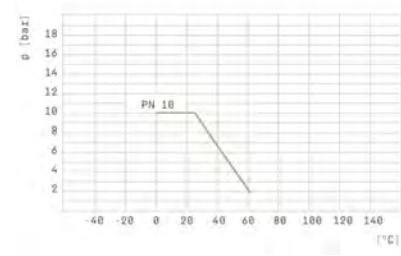
MAXIMUM SAFETY	METALIC PARTS UNTOUCHED BY MEDIUM
DOUPLE FLAP STOP	UNIQUE CONSTRUCTION

DIMENSIONS

DN	d	G	A	D	C	W	J	K	H	h	E	M	Z	S	R	P	PN
65	75	2 1/2"	230	65	133	90°	19	127 - 145	285	100	98	114	46	55	25	7	10
80	90	3"	230	80	176	45°	19	146 - 160	292	100	116	114	49	70	30	9	10
100	110	4"	300	100	206	45°	19	175 - 190,5	322	115	146	114	56	85	35	9	10
125	140	5"	300	125	234,5	45°	23	209,5 - 216	358	130	170	114	64	100	45	9	10
150	160	6"	386	150	261	45°	23	234,5 - 241,3	396	147,5	196	150	70	110	45	9	10
200	225	8"	386	200	314	45°	23	290 - 298,5	458	175	251	150	71	145	40	9	10



Flow pressure loss



Pressure temperature

Product	G-kg	PU	Prod.No.	Price €
WITH OPTICAL POSITION INDICATION (SPRING LOADED)				
Wafer check valve K4 spring-loaded, visual pos. ind. DN65 PVC grey Flange-connection 75-2 1/2" DIN-ANSI-JIS PN10 EPDM	0.65	1.00	125804A	253.77
Wafer check valve K4 spring-loaded, visual pos. ind. DN65 PVC grey Flange-connection 75-2 1/2" DIN-ANSI-JIS PN10 FPM	0.41	1.00	125811A	289.78
Wafer check valve K4 spring-loaded, visual pos. ind. DN80 PVC grey Flange-connection 90-3" DIN-ANSI-JIS PN10 EPDM	0.56	1.00	125805a	271.79
Wafer check valve K4 spring-loaded, visual pos. ind. DN80 PVC grey Flange-connection 90-3" DIN-ANSI-JIS PN10 FPM	0.58	1.00	125812a	452.30
Wafer check valve K4 spring-loaded, visual pos. ind. DN100 PVC grey Flange-connection 110-4" DIN-ANSI-JIS PN10 EPDM	0.85	1.00	125806a	324.17
Wafer check valve K4 spring-loaded, visual pos. ind. DN100 PVC grey Flange-connection 110-4" DIN-ANSI-JIS PN10 FPM	0.86	1.00	125813a	541.22
Wafer check valve K4 spring-loaded, visual pos. ind. DN150 PVC grey Flange-connection 160-6" DIN-ANSI-JIS PN10 EPDM	2.18	1.00	125807a	443.10
Wafer check valve K4 spring-loaded, visual pos. ind. DN150 PVC grey Flange-connection 160-6" DIN-ANSI-JIS PN10 FPM	2.40	1.00	125814a	728.35
Wafer check valve K4 spring-loaded, visual pos. ind. DN200 PVC grey Flange-connection 225-8" DIN-ANSI-JIS PN10 EPDM	4.05	1.00	125808A	816.33
Wafer check valve K4 spring-loaded, visual pos. ind. DN200 PVC grey Flange-connection 225-8" DIN-ANSI-JIS PN10 FPM	4.11	1.00	125815A	894.91
Wafer check valve K4 spring-loaded, visual pos. ind. DN250 PVC grey Flange-connection 280-10" DIN-ANSI-JIS PN10 EPDM	6.44	1.00	125809A	1299.09
Wafer check valve K4 spring-loaded, visual pos. ind. DN250 PVC grey Flange-connection 280-10" DIN-ANSI-JIS PN10 FPM	6.59	1.00	125816A	1420.84

Product	G-kg	PU	Prod.No.	Price €
WITHOUT POSITION INDICATION, (WITHOUT SPRING)				
Wafer check valve K4 DN65 PVC grey Flange-connection 75-2 1/2" DIN-ANSI-JIS PN10 EPDM	0.38	1.00	125790A	229.50
Wafer check valve K4 DN65 PVC grey Flange-connection 75-2 1/2" DIN-ANSI-JIS PN10 FPM	0.39	1.00	125797A	287.09
Wafer check valve K4 DN80 PVC grey Flange-connection 90-3" DIN-ANSI-JIS PN10 EPDM	0.56	1.00	125791a	211.93
Wafer check valve K4 DN80 PVC grey Flange-connection 90-3" DIN-ANSI-JIS PN10 FPM	0.58	1.00	125798a	348.95
Wafer check valve K4 DN100 PVC grey Flange-connection 110-4" DIN-ANSI-JIS PN10 EPDM	0.83	1.00	125792a	251.05
Wafer check valve K4 DN100 PVC grey Flange-connection 110-4" DIN-ANSI-JIS PN10 FPM	0.86	1.00	125799a	416.57
Wafer check valve K4 DN150 PVC grey Flange-connection 160-6" DIN-ANSI-JIS PN10 EPDM	2.08	1.00	125793a	358.64
Wafer check valve K4 DN150 PVC grey Flange-connection 160-6" DIN-ANSI-JIS PN10 FPM	2.18	1.00	125800a	582.58
Wafer check valve K4 DN200 PVC grey Flange-connection 225-8" DIN-ANSI-JIS PN10 EPDM	4.03	1.00	125794A	743.37
Wafer check valve K4 DN200 PVC grey Flange-connection 225-8" DIN-ANSI-JIS PN10 FPM	4.09	1.00	125801A	1037.69
Wafer check valve K4 DN250 PVC grey Flange-connection 280-10" DIN-ANSI-JIS PN10 EPDM	6.47	1.00	125795A	1619.49
Wafer check valve K4 DN250 PVC grey Flange-connection 280-10" DIN-ANSI-JIS PN10 FPM	6.57	1.00	125802A	1288.55



PP type available on request



Wafer check valve K6

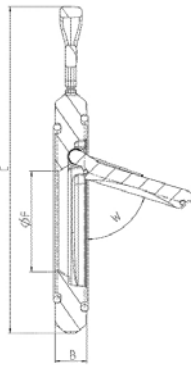
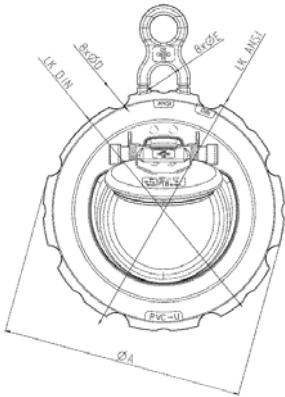
- Operation temperature up to 40°C
- Tight from max. 0.3bar counterpressure
- Cone-shaped sealing area for extreme strain and long lifecycle
- Flushed shaft to avoid deposit
- Cylindrically positioned valve stem for perfect power transmissions
- Screw centering for DIN2501 PN10 and ANSI class150
- Breaking point for later removal
- Due to KV-value no additional outlet assistance necessary
- Horizontal and vertical installation possible
- Excellent corrosion resistance
- Spring material 1.4401/AISI 316

DIMENSIONS

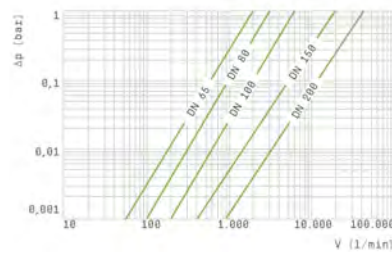
DN	d	ØA	B	C	LK DIN	ØD	LK ANSI	ØE	ØF
40	50	95	16	141,8	110	18	98,5	15,5	23,5
50	63	109	18	159,5	125	18	120,65	19	33
65	75	130	20	185	145	18	139,7	19	42
80	90	146	20	200,4	160	18	152,4	19	53
100	110	175	23	237,2	180	18	190,5	19	73
125	140	198	25	262,3	210	18	215,9	22,2	93
150	160	223	30	288,8	240	22	241,3	22,2	110
200	225	280	34	348,3	295	22	298,45	22,2	150
300	315	406,4	47	-*	400	22	431,8	25,4	229

FLAPNÖFFNUNG

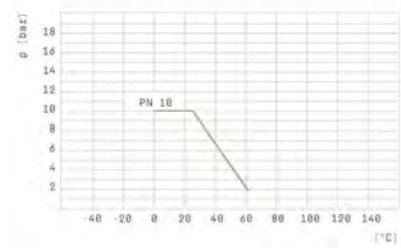
PVC PN10	PVC PN6	PVC schedule40	PVC schedule80	PE100 SDR17
91	93,5	80,5	-	88*
88,5	92,5	79,5	-	85,5*
82	86	72	63	78,5*
84,5	88,5	79,5	72	81,5*
72,5	78	76	69	68,5*
73,5	79	75	68	69,5*
69	75	78,5	71	64,5*
74	79	73	66	70*
66,5	72	75	68,5	62*



Conical sealing surface for high demand and long lifetime



Flow pressure loss



Pressure temperature

Product	G-kg	PU	Prod.No.	Price €
WITHOUT SPRING				
Wafer check valve K6 DN40 PVC grey Flange-connection 50-1 1/2" DIN/ANSI MOP 10 bar EPDM	0.12	1.00	129078	90.71
Wafer check valve K6 DN40 PVC grey Flange-connection 50-1 1/2" DIN/ANSI MOP 10 bar FPM	0.12	1.00	129089	125.26
Wafer check valve K6 DN50 PVC grey Flange-connection 63-2" DIN/ANSI MOP 10 bar EPDM	0.18	1.00	129079	95.37
Wafer check valve K6 DN50 PVC grey Flange-connection 63-2" DIN/ANSI MOP 10 bar FPM	0.19	1.00	129090	138.05
Wafer check valve K6 DN65 PVC grey Flange-connection 75-2 1/2" DIN/ANSI MOP 10 bar EPDM	0.25	1.00	129080	103.66
Wafer check valve K6 DN65 PVC grey Flange-connection 75-2 1/2" DIN/ANSI MOP 10 bar FPM	0.25	1.00	129091	156.89
Wafer check valve K6 DN80 PVC grey Flange-connection 90-3" DIN/ANSI MOP 10 bar EPDM	0.33	1.00	129081	118.18
Wafer check valve K6 DN80 PVC grey Flange-connection 90-3" DIN/ANSI MOP 10 bar FPM	0.33	1.00	129092	181.65
Wafer check valve K6 DN100 PVC grey Flange-connection 110-4" DIN/ANSI MOP 10 bar EPDM	0.56	1.00	129082	136.44

Product	G-kg	PU	Prod.No.	Price €
Wafer check valve K6 DN100 PVC grey Flange-connection 110-4" DIN/ANSI MOP 10 bar FPM	0.58	1.00	129093	212.44
Wafer check valve K6 DN125 PVC grey Flange-connection 140-5" DIN/ANSI MOP 10 bar EPDM	0.70	1.00	129083	179.82
Wafer check valve K6 DN125 PVC grey Flange-connection 140-5" DIN/ANSI MOP 10 bar FPM	0.70	1.00	129094	248.93
Wafer check valve K6 DN150 PVC grey Flange-connection 160-6" DIN/ANSI MOP 10 bar EPDM	1.37	1.00	129084	242.67
Wafer check valve K6 DN150 PVC grey Flange-connection 160-6" DIN/ANSI MOP 10 bar FPM	1.07	1.00	129095	321.15
Wafer check valve K6 DN200 PVC grey Flange-connection 225-8" DIN/ANSI MOP 10 bar EPDM	2.55	1.00	129085	412.59
Wafer check valve K6 DN200 PVC grey Flange-connection 225-8" DIN/ANSI MOP 10 bar FPM	2.55	1.00	129096	500.71
Wafer check valve K6 DN300 PVC grey Flange-connection 315-12" DIN/ANSI MOP 8 bar EPDM	6.28	1.00	129087	840.32
Wafer check valve K6 DN300 PVC grey Flange-connection 315-12" DIN/ANSI MOP 8 bar FPM	6.38	1.00	129098	1032.61
Wafer check valve K6 DN350 PVC grey Flange-connection 355 - 14" DIN/ANSI MOP 6 bar EPDM	9.11	1.00	129088	123.60
Wafer check valve K6 DN350 PVC grey Flange-connection 355 - 14" DIN/ANSI MOP 6 bar FPM	0.00	1.00	129099	156.48
SPRING LOADED				
Wafer check valve K6 spring-loaded DN40 PVC grey Flange-connection 50-1 1/2" DIN/ANSI MOP 10 bar EPDM	0.12	1.00	129100	159.24
Wafer check valve K6 spring-loaded DN40 PVC grey Flange-connection 50-1 1/2" DIN/ANSI MOP 10 bar FPM	0.12	1.00	129111	200.00
Wafer check valve K6 spring-loaded DN50 PVC grey Flange-connection 63-2" DIN/ANSI MOP 10 bar EPDM	0.18	1.00	129101	164.23
Wafer check valve K6 spring-loaded DN50 PVC grey Flange-connection 63-2" DIN/ANSI MOP 10 bar FPM	0.19	1.00	129112	213.05
Wafer check valve K6 spring-loaded DN65 PVC grey Flange-connection 75-2 1/2" DIN/ANSI MOP 10 bar EPDM	0.28	1.00	129102	173.07
Wafer check valve K6 spring-loaded DN65 PVC grey Flange-connection 75-2 1/2" DIN/ANSI MOP 10 bar FPM	0.28	1.00	129113	232.15
Wafer check valve K6 spring-loaded DN80 PVC grey Flange-connection 90-3" DIN/ANSI MOP 10 bar EPDM	0.34	1.00	129103	186.58
Wafer check valve K6 spring-loaded DN80 PVC grey Flange-connection 90-3" DIN/ANSI MOP 10 bar FPM	0.34	1.00	129114	257.63
Wafer check valve K6 spring-loaded DN100 PVC grey Flange-connection 110-4" DIN/ANSI MOP 10 bar EPDM	0.56	1.00	129104	205.73
Wafer check valve K6 spring-loaded DN100 PVC grey Flange-connection 110-4" DIN/ANSI MOP 10 bar FPM	0.58	1.00	129115	289.39
Wafer check valve K6 spring-loaded DN125 PVC grey Flange-connection 140-5" DIN/ANSI MOP 10 bar EPDM	0.75	1.00	129105	262.36
Wafer check valve K6 spring-loaded DN125 PVC grey Flange-connection 140-5" DIN/ANSI MOP 10 bar FPM	0.75	1.00	129116	331.41
Wafer check valve K6 spring-loaded DN150 PVC grey Flange-connection 160-6" DIN/ANSI MOP 10 bar EPDM	1.38	1.00	129106	343.60
Wafer check valve K6 spring-loaded DN150 PVC grey Flange-connection 160-6" DIN/ANSI MOP 10 bar FPM	1.38	1.00	129117	422.22
Wafer check valve K6 spring-loaded DN200 PVC grey Flange-connection 225-8" DIN/ANSI MOP 10 bar EPDM	2.59	1.00	129107	539.45
Wafer check valve K6 spring-loaded DN200 PVC grey Flange-connection 225-8" DIN/ANSI MOP 10 bar FPM	2.59	1.00	129118	626.80
Wafer check valve K6 spring-loaded DN300 PVC grey Flange-connection 315-12" DIN/ANSI MOP 8 bar EPDM	6.35	1.00	129109	994.15
Wafer check valve K6 spring-loaded DN300 PVC grey Flange-connection 315-12" DIN/ANSI MOP 8 bar FPM	6.44	1.00	129120	1186.46
Wafer check valve K6 spring-loaded DN350 PVC grey Flange-connection 355 - 14" DIN/ANSI MOP 6 bar EPDM	9.18	1.00	129110	195.84





**FOR USE WITH
LIMIT SWITCH
CONTACTS**

Flow meter M123 PVC measuring pipe

PVC

Product	G-kg	PU	Prod.No.	Price €
PRICES FLOW METER MAGNETIC-METRIC				
Flow meter M123 magnetic indicator tube PVC DN10 PVC grey PVCu solvent socket ends d16 metric l/h 1,5-15 PN10 EPDM	0.08	1.00	74183	190.45
Flow meter M123 magnetic indicator tube PVC DN10 PVC grey PVCu solvent socket ends d16 metric l/h 2,5-25 PN10 EPDM	0.08	1.00	74184	190.45
Flow meter M123 magnetic indicator tube PVC DN10 PVC grey PVCu solvent socket ends d16 metric l/h 5-50 PN10 EPDM	0.08	1.00	74185	190.45
Flow meter M123 magnetic indicator tube PVC DN10 PVC grey PVCu solvent socket ends d16 metric l/h 10-100 PN10 EPDM	0.08	1.00	74186	190.45
Flow meter M123 magnetic indicator tube PVC DN15 PVC grey PVCu solvent socket ends d20 metric l/h 8-80 PN10 EPDM	0.13	1.00	74187	204.60
Flow meter M123 magnetic indicator tube PVC DN15 PVC grey PVCu solvent socket ends d20 metric l/h 15-150 PN10 EPDM	0.13	1.00	74188	204.60
Flow meter M123 magnetic indicator tube PVC DN15 PVC grey PVCu solvent socket ends d20 metric l/h 20-200 PN10 EPDM	0.13	1.00	74189	204.60
Flow meter M123 magnetic indicator tube PVC DN25 PVC grey PVCu solvent socket ends d32 metric l/h 15-150 PN10 EPDM	0.24	1.00	74190	236.41
Flow meter M123 magnetic indicator tube PVC DN25 PVC grey PVCu solvent socket ends d32 metric l/h 30-300 PN10 EPDM	0.24	1.00	74191	237.63
Flow meter M123 magnetic indicator tube PVC DN25 PVC grey PVCu solvent socket ends d32 metric l/h 50-500 PN10 EPDM	0.24	1.00	74192	237.63
Flow meter M123 magnetic indicator tube PVC DN25 PVC grey PVCu solvent socket ends d32 metric l/h 100-1000 PN10 EPDM	0.24	1.00	74193	237.63
FLOW METER METRIC				
Flow meter M123 indicator tube PVC DN10 PVC grey PVCu solvent socket ends d16 metric l/h 1,5-15 PN10 EPDM	0.08	1.00	74161	138.50
Flow meter M123 indicator tube PVC DN10 PVC grey PVCu solvent socket ends d16 metric l/h 2,5-25 PN10 EPDM	0.08	1.00	74162	138.50
Flow meter M123 indicator tube PVC DN10 PVC grey PVCu solvent socket ends d16 metric l/h 5-50 PN10 EPDM	0.08	1.00	74218	138.50
Flow meter M123 indicator tube PVC DN10 PVC grey PVCu solvent socket ends d16 metric l/h 10-100 PN10 EPDM	0.08	1.00	74164	138.50
Flow meter M123 indicator tube PVC DN15 PVC grey PVCu solvent socket ends d20 metric l/h 8-80 PN10 EPDM	0.13	1.00	74165	141.64
Flow meter M123 indicator tube PVC DN15 PVC grey PVCu solvent socket ends d20 metric l/h 15-150 PN10 EPDM	0.13	1.00	74166	141.64
Flow meter M123 indicator tube PVC DN15 PVC grey PVCu solvent socket ends d20 metric l/h 20-200 PN10 EPDM	0.13	1.00	74167	141.64
Flow meter M123 indicator tube PVC DN25 PVC grey PVCu solvent socket ends d32 metric l/h 15-150 PN10 EPDM	0.24	1.00	74168	166.83
Flow meter M123 indicator tube PVC DN25 PVC grey PVCu solvent socket ends d32 metric l/h 30-300 PN10 EPDM	0.24	1.00	74169	166.83
Flow meter M123 indicator tube PVC DN25 PVC grey PVCu solvent socket ends d32 metric l/h 50-500 PN10 EPDM	0.24	1.00	74170	166.83
Flow meter M123 indicator tube PVC DN25 PVC grey PVCu solvent socket ends d32 metric l/h 100-1000 PN10 EPDM	0.24	1.00	74171	166.83

**FOR STANDARD
USE**



**FOR USE WITH
LIMIT SWITCH
CONTACTS**

Flow meter M335 PA measuring pipe

PVC

Product	G-kg	PU	Prod.No.	Price €
FLOW METER MAGNETIC-METRIC				
Flow meter M335 magnetic indicator tube PA DN25 PVC grey PVCu solvent socket ends d32 metric l/h 50-500 PN10 EPDM	0.52	1.00	77097	326.57
Flow meter M335 magnetic indicator tube PA DN25 PVC grey PVCu solvent socket ends d32 metric l/h 100-1000 PN10 EPDM	0.52	1.00	77098	342.68
Flow meter M335 magnetic indicator tube PA DN32 PVC grey PVCu solvent socket ends d40 metric l/h 150-1500 PN10 EPDM	0.60	1.00	77099	363.91
Flow meter M335 magnetic indicator tube PA DN32 PVC grey PVCu solvent socket ends d40 metric l/h 250-2500 PN10 EPDM	0.60	1.00	77100	383.45
Flow meter M335 magnetic indicator tube PA DN40 PVC grey PVCu solvent socket ends d50 metric l/h 200-2000 PN10 EPDM	1.22	1.00	77101	415.21
Flow meter M335 magnetic indicator tube PA DN40 PVC grey PVCu solvent socket ends d50 metric l/h 300-3000 PN10 EPDM	1.22	1.00	77102	512.70
Flow meter M335 magnetic indicator tube PA DN40 PVC grey PVCu solvent socket ends d50 metric l/h 600-6000 PN10 EPDM	1.22	1.00	77103	539.79
Flow meter M335 magnetic indicator tube PA DN50 PVC grey PVCu solvent socket ends d63 metric l/h 600-6000 PN10 EPDM	1.68	1.00	77104	617.23
Flow meter M335 magnetic indicator tube PA DN50 PVC grey PVCu solvent socket ends d63 metric l/h 1000-10000 PN10 EPDM	1.68	1.00	77105	658.76
Flow meter M335 magnetic indicator tube PA DN50 PVC grey PVCu solvent socket ends d63 metric l/h 1500-15000 PN10 EPDM	1.68	1.00	77106	703.43
Flow meter M335 magnetic indicator tube PA DN65 PVC grey PVCu solvent socket ends d75 metric l/h 2000-20000 PN10 EPDM	2.90	1.00	77107	1084.95
Flow meter M335 magnetic indicator tube PA DN65 PVC grey PVCu solvent socket ends d75 metric l/h 3000-30000 PN10 EPDM	2.90	1.00	77108	1084.95
Flow meter M335 magnetic indicator tube PA DN65 PVC grey PVCu solvent socket ends d75 metric l/h 8000-60000 PN10 EPDM	2.90	1.00	77109	1096.65
FLOW METER METRIC				
Flow meter M335 indicator tube PA DN25 PVC grey PVCu solvent socket ends d32 metric l/h 50-500 PN10 EPDM	0.52	1.00	77084	220.32
Flow meter M335 indicator tube PA DN25 PVC grey PVCu solvent socket ends d32 metric l/h 100-1000 PN10 EPDM	0.52	1.00	77085	224.85
Flow meter M335 indicator tube PA DN32 PVC grey PVCu solvent socket ends d40 metric l/h 150-1500 PN10 EPDM	0.60	1.00	77086	254.02
Flow meter M335 indicator tube PA DN32 PVC grey PVCu solvent socket ends d40 metric l/h 250-2500 PN10 EPDM	0.60	1.00	77087	273.55
Flow meter M335 indicator tube PA DN40 PVC grey PVCu solvent socket ends d50 metric l/h 200-2000 PN10 EPDM	1.22	1.00	77088	283.82
Flow meter M335 indicator tube PA DN40 PVC grey PVCu solvent socket ends d50 metric l/h 300-3000 PN10 EPDM	1.22	1.00	77089	382.48
Flow meter M335 indicator tube PA DN40 PVC grey PVCu solvent socket ends d50 metric l/h 600-6000 PN10 EPDM	1.22	1.00	77090	412.78
Flow meter M335 indicator tube PA DN50 PVC grey PVCu solvent socket ends d63 metric l/h 600-6000 PN10 EPDM	1.68	1.00	77091	480.19
Flow meter M335 indicator tube PA DN50 PVC grey PVCu solvent socket ends d63 metric l/h 1000-10000 PN10 EPDM	1.68	1.00	77092	515.35
Flow meter M335 indicator tube PA DN50 PVC grey PVCu solvent socket ends d63 metric l/h 1500-15000 PN10 EPDM	1.68	1.00	77093	566.66
Flow meter M335 indicator tube PA DN65 PVC grey PVCu solvent socket ends d75 metric l/h 2000-20000 PN10 EPDM	2.90	1.00	77094	952.07
Flow meter M335 indicator tube PA DN65 PVC grey PVCu solvent socket ends d75 metric l/h 3000-30000 PN10 EPDM	2.90	1.00	77095	952.07
Flow meter M335 indicator tube PA DN65 PVC grey PVCu solvent socket ends d75 metric l/h 8000-60000 PN10 EPDM	2.20	1.00	77096	957.94

**FOR STANDARD
USE**



**FOR USE WITH
LIMIT SWITCH
CONTACTS**

Flow meter M335 with PSU measuring pipe

PVC

Product	G-kg	PU	Prod.No.	Price €
FLOW METER MAGNETIC-METRIC				
Flow meter M335 magnetic indicator tube PSU DN25 PVC grey PVCu solvent socket ends d32 metric l/h 50-500 PN10 EPDM	0.52	1.00	77175	369.05
Flow meter M335 magnetic indicator tube PSU DN25 PVC grey PVCu solvent socket ends d32 metric l/h 100-1000 PN10 EPDM	0.52	1.00	77176	385.67
Flow meter M335 magnetic indicator tube PSU DN32 PVC grey PVCu solvent socket ends d40 metric l/h 150-1500 PN10 EPDM	0.60	1.00	77177	412.78
Flow meter M335 magnetic indicator tube PSU DN32 PVC grey PVCu solvent socket ends d40 metric l/h 250-2500 PN10 EPDM	0.60	1.00	77178	439.64
Flow meter M335 magnetic indicator tube PSU DN40 PVC grey PVCu solvent socket ends d50 metric l/h 200-2000 PN10 EPDM	1.22	1.00	77179	468.23
Flow meter M335 magnetic indicator tube PSU DN40 PVC grey PVCu solvent socket ends d50 metric l/h 300-3000 PN10 EPDM	1.22	1.00	77180	583.27
Flow meter M335 magnetic indicator tube PSU DN40 PVC grey PVCu solvent socket ends d50 metric l/h 600-6000 PN10 EPDM	1.22	1.00	77181	620.37
Flow meter M335 magnetic indicator tube PSU DN50 PVC grey PVCu solvent socket ends d63 metric l/h 600-6000 PN10 EPDM	1.68	1.00	77182	708.80
Flow meter M335 magnetic indicator tube PSU DN50 PVC grey PVCu solvent socket ends d63 metric l/h 1000-10000 PN10 EPDM	1.68	1.00	77183	764.75
Flow meter M335 magnetic indicator tube PSU DN50 PVC grey PVCu solvent socket ends d63 metric l/h 1500-15000 PN10 EPDM	1.68	1.00	77184	815.79
Flow meter M335 magnetic indicator tube PSU DN65 PVC grey PVCu solvent socket ends d75 metric l/h 2000-20000 PN10 EPDM	2.90	1.00	77185	1275.20
Flow meter M335 magnetic indicator tube PSU DN65 PVC grey PVCu solvent socket ends d75 metric l/h 3000-30000 PN10 EPDM	2.90	1.00	77186	1275.20
Flow meter M335 magnetic indicator tube PSU DN65 PVC grey PVCu solvent socket ends d75 metric l/h 8000-60000 PN10 EPDM	2.90	1.00	77187	1292.05
FLOW METER METRIC				
Flow meter M335 indicator tube PSU DN25 PVC grey PVCu solvent socket ends d32 metric l/h 50-500 PN10 EPDM	0.52	1.00	77162	264.78
Flow meter M335 indicator tube PSU DN25 PVC grey PVCu solvent socket ends d32 metric l/h 100-1000 PN10 EPDM	0.52	1.00	77163	270.64
Flow meter M335 indicator tube PSU DN32 PVC grey PVCu solvent socket ends d40 metric l/h 150-1500 PN10 EPDM	0.60	1.00	77164	304.82
Flow meter M335 indicator tube PSU DN32 PVC grey PVCu solvent socket ends d40 metric l/h 250-2500 PN10 EPDM	0.60	1.00	77165	328.51
Flow meter M335 indicator tube PSU DN40 PVC grey PVCu solvent socket ends d50 metric l/h 200-2000 PN10 EPDM	1.22	1.00	77166	338.31
Flow meter M335 indicator tube PSU DN40 PVC grey PVCu solvent socket ends d50 metric l/h 300-3000 PN10 EPDM	1.22	1.00	77167	444.53
Flow meter M335 indicator tube PSU DN40 PVC grey PVCu solvent socket ends d50 metric l/h 600-6000 PN10 EPDM	1.22	1.00	77168	495.49
Flow meter M335 indicator tube PSU DN50 PVC grey PVCu solvent socket ends d63 metric l/h 600-6000 PN10 EPDM	1.68	1.00	77169	573.00
Flow meter M335 indicator tube PSU DN50 PVC grey PVCu solvent socket ends d63 metric l/h 1000-10000 PN10 EPDM	1.68	1.00	77170	633.57
Flow meter M335 indicator tube PSU DN50 PVC grey PVCu solvent socket ends d63 metric l/h 1500-15000 PN10 EPDM	1.68	1.00	77171	679.00
Flow meter M335 indicator tube PSU DN65 PVC grey PVCu solvent socket ends d75 metric l/h 2000-20000 PN10 EPDM	2.90	1.00	77172	1144.31
Flow meter M335 indicator tube PSU DN65 PVC grey PVCu solvent socket ends d75 metric l/h 3000-30000 PN10 EPDM	2.90	1.00	77173	1144.31
Flow meter M335 indicator tube PSU DN65 PVC grey PVCu solvent socket ends d75 metric l/h 8000-60000 PN10 EPDM	2.90	1.00	77174	1156.01
LIMIT VALUE CONTACT FOR FLOW METER M123/M335/M350				
Limit contact for flow meter M123 / M335 / M350 Z40 min.	0.03	1.00	77287	205.47
Limit contact for flow meter M123 / M335 / M350 Z42 max.	0.03	1.00	77288	205.47
VALUE SENSOR FOR FLOW METER M335/M350				
Measuring sensor for flow meter M335 / M350 Z60	0.15	1.00	77463	1288.88

**FOR STANDARD
USE**



THE HARMONY OF PIPES, FITTINGS AND VALVES

DESIGNED
ENGINEERED &
MADE IN AUSTRIA



1. perfect tolerances acc. ISO 727/DIN8063
2. producer, material, dimension, pressure rate
3. indication of socket length on the PVC pipe
4. production date
5. brand IBG
6. 90°/45° marking for installation

IBG

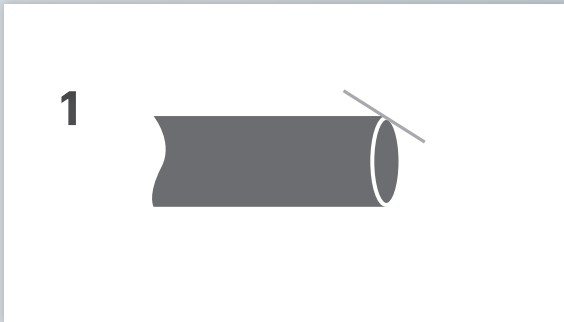
PIPES & FITTINGS – WELLNESS FOR THE POOL WATER

The globally known and world-valued IBG® pipes and fittings are produced with smallest possible tolerances and match in a perfect way. The exactly processed plastic material PVC-U (polyvinyl chloride without plasticizer), is particularly suitable for demanding and custom-fit piping systems. Praher works exclusively with raw material from certified manufacturers/suppliers. This raw material is tested ongoing, also by external authorities.

The advantages of IBG® PVC-U pipes are obvious :

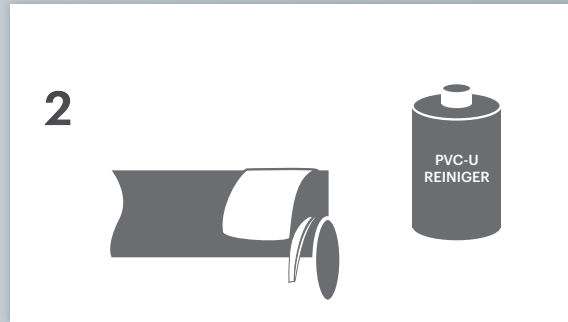
- » excellent chemical resistance, easy installation (also due to the low weight of the material)
- » easy installation with special pipe clamps (type A, B and C)
- » best suitability for the swimming pool industry for different joining techniques (gluing, thread, flange,...) in many shapes and dimensions
- » Guaranteed lasting and secure connections (average lifetime up to 50 years)
- » Optimal price-performance ratio
- » Praher PVC pipe systems and fittings match perfectly in order to reduce the handling time

INSTRUCTION FOR CORRECT INSTALLATION OF IBG® PVC-U PIPING SYSTEMS



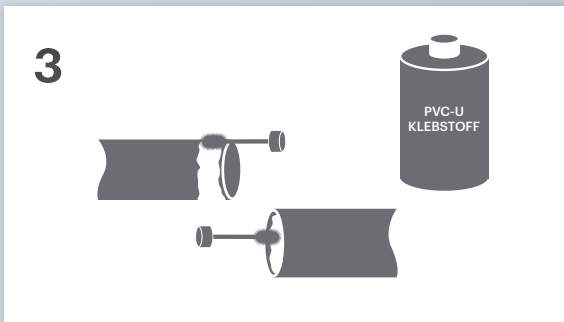
1 PREPARING

Chamfering and deburring of the pipe end with the cutter. Gluing only to be done at temperatures more than 8°C. At the temperature of approx. 8°C the pipe end has to be tempered to handwarm condition.



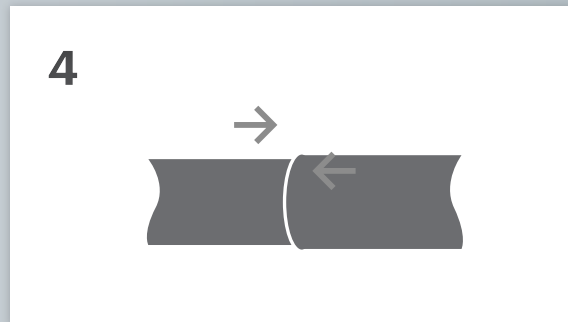
2 CLEANING

For optimal adhesion, the surfaces have to be dry and free from dirt. Additional cleaning of the pipe end on the outside and inside with waterleaf paper and cleaner.



3 APPLYING SOLVENT

Stir the solvent and apply the brush with the solvent substantially. Apply a thin film of the solvent on the inner side of the socket axial (from inner part to the outer part). Please also apply enough solvent on the end of the pipe (also axial, press the brush). Drying time depends from the temperature and quantity of solvent (4 min./20°C up to <1 in./ 40°C).



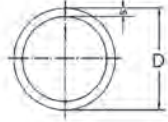
4 CONNECTING

Instantly push the pipe in the socket without torsion or twist. Fix the connection till the glue is adhering. From DN 150 pipe dimension please use a suitable tool for pushing pipe. Remove the excess glue with waterleaf paper.



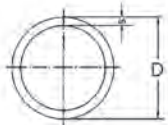
CAUTION!
CONSIDER DRYING TIME

Move the pipes earliest 5 min. after the gluing process, at a temperature under +10°C the time minimum 15min after the gluing process. Lowering of the pipes after 10 – 12 hours. Filling of the piping system and pressure test up to a test pressure of 1,5 x PN earliest after 24 hours after the last glueing process. In case the piping has to be loaded with operation pressure (reparation) please stick to the rule: per 1 bar operation pressure 1 hour time to wait. Pipes which are not in immediate operation have to be rinsed or left filled with water.



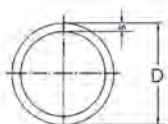
IBG® PVC-u pipe special types, grey with socket 5m, PN10

DxS	PN	l (m)	PM	G-kg	PU	Prod.No.	Price €
32x1,6	10	5	1440	0.24	5.00	76926	1.54
40x1,9	10	5	895	0.35	5.00	76927	2.09
50x2,4	10	5	1130	0.57	5.00	76928	2.55
63x3,0	10	5	720	0.90	5.00	76929	3.95
75x3,6	10	5	340	1.25	5.00	76930	6.15
90x4,3	10	5	275	1.79	5.00	76931	8.85
110x4,2	10	5	360	2.16	5.00	76932	10.50
125x4,8	10	5	340	2.81	5.00	76933	16.59
140x5,4	10	5	265	3.54	5.00	76934	17.90
160x6,2	10	5	165	4.64	5.00	76935	22.50
180x6,9	10	5	140	5.82	5.00	76936	36.75
200x7,7	10	5	100	7.21	5.00	76937	47.82
225x8,6	10	5	90	9.06	5.00	76938	44.00
250x9,6	10	5	60	11.24	5.00	76939	69.00
280x10,7	10	5	55	14.03	5.00	76940	81.00
315x12,1	10	5	45	17.84	5.00	76941	89.00
355x13,6	10	5	5	22.61	5.00	76942	147.38
400x15,3	10	5	5	28.66	5.00	76943	195.06



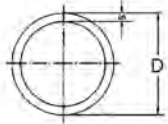
IBG® PVC-u pipe special types, grey with socket, 3m, PN10

DxS	PN	l (m)	PM	G-kg	PU	Prod.No.	Price €
40x1,9	10	3	825	0.37	3.00	77007	2.27
50x2,4	10	3	645	0.51	3.00	77008	2.65
63x3,0	10	3	369	0.80	3.00	77009	4.30
75x3,6	10	3	261	1.15	3.00	77010	8.55
90x4,3	10	3	396	1.79	360.00	77011	11.18
110x4,2	10	3	258	2.20	3.00	77012	14.64



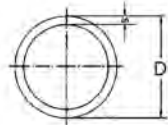
IBG® PVC-u pipe special types, grey without socket, 2m, PN10

DxS	PN	l (m)	PM	G-kg	PU	Prod.No.	Price €
50x2,4	10	2	500	0.11	2.00	77769	2.65
63x3,0	10	2	300	0.88	10.00	73526	5.90



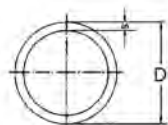
IBG® PVC-u pipe special types, grey, 5m, PN16

DxS	PN	l (m)	PM	G-kg	PU	Prod.No.	Price €
20x1,5	16	5	4380	0.14	5.00	76944	0.90
25x1,9	16	5	2230	0.21	5.00	76945	1.39
32x2,4	16	5	1440	0.35	5.00	76946	2.13
40x3,0	16	5	895	0.54	5.00	76947	3.10
50x3,7	16	5	615	0.84	5.00	76948	3.70
63x4,7	16	5	720	1.34	5.00	76949	5.95
75x5,6	16	5	340	1.89	5.00	76950	9.20
90x6,7	16	5	275	2.72	5.00	76951	13.10
110x6,6	16	5	360	3.32	5.00	76952	15.80
125x7,4	16	5	340	4.24	5.00	76953	23.49
140x8,3	16	5	265	5.32	5.00	76954	25.90
160x9,5	16	5	165	6.96	5.00	76955	35.90
180x10,7	16	5	140	8.82	5.00	76956	59.76
200x11,9	16	5	100	10.90	5.00	76957	69.74
225x13,4	16	5	90	13.81	5.00	76958	72.90
250x14,8	16	5	60	16.95	5.00	76959	111.86
280x16,6	16	5	55	21.29	5.00	76960	138.02
315x18,7	16	5	45	26.98	5.00	76961	182.46



IBG® PVC-u pipe special types, grey with socket, 5m, PN6

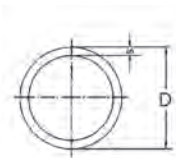
DxS	PN	l (m)	PM	G-kg	PU	Prod.No.	Price €
40x1,5	6	5	690	0.28	5.00	76909	2.27
50x1,6	6	5	430	0.38	5.00	76910	2.57
63x2,0	6	5	720	0.57	5.00	76911	4.07
75x2,3	6	5	340	0.81	5.00	76912	6.08
90x2,8	6	5	275	1.19	5.00	76913	9.09
110x2,7	6	5	360	1.41	5.00	76914	11.56
125x3,1	6	5	240	1.84	5.00	76915	14.96
140x3,5	6	5	265	2.33	5.00	76916	20.47
160x4,0	6	5	150	3.04	5.00	76917	24.76
180x4,4	6	5	140	3.76	5.00	76918	32.87
200x4,9	6	5	100	4.65	5.00	76919	39.52
225x5,5	6	5	90	5.88	5.00	76920	51.73
250x6,2	6	5	60	7.36	5.00	76921	64.29
280x6,9	6	5	55	9.17	5.00	76922	75.88
315x7,7	6	5	45	11.52	5.00	76923	95.18
355x8,7	6	5	5	14.67	5.00	76924	121.38
400x9,8	6	5	5	18.62	5.00	76925	152.23



IBG® PVC-u pipe special types, black with socket, 5m, PN10

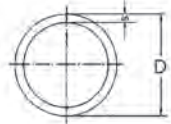
For use as supply and waste pipe in solar systems, conditional UV-resistance

DxS	PN	l (m)	PM	G-kg	PU	Prod.No.	Price €
	10	5	1130	0.56	5.00	74260	3.10



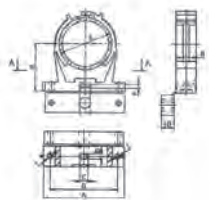
IBG® PVC-u pipe special types, white without socket, 5m, PN10

DxS	PN	l (m)	PM	G-kg	PU	Prod.No.	Price €
50x2,4	10	5	1130	0.51	20.00	76674	4.90



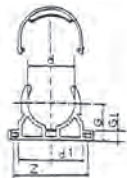
IBG® PVC-u pipe special types, transparent without socket, 5m, PN16/10

DxS	PN	l (m)	PM	G-kg	PU	Prod.No.	Price €
20x1,5	16	5	25	0.14	5.00	75828	7.26
25x1,9	16	5	25	0.21	5.00	73714	10.69
32x2,4	16	5	20	0.34	5.00	73715	13.64
40x3	16	5	20	0.53	5.00	73716	22.37
50x3,7	16	5	20	0.81	5.00	73717	41.70
63x4,7	16	5	15	1.29	5.00	73718	69.56
50x2,4	10	5	20	0.90	5.00	74261	14.92
63x3,0	10	5	15	1.22	5.00	74262	22.89
75x3,6	10	5	15	1.80	5.00	76211	78.78
90x4,3	10	5	10	1.75	5.00	76212	101.41
110x5,3	10	5	5	2.90	5.00	76213	142.11



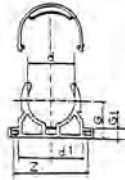
IBG® pipe clip for plastic pipe Type B

d	D	E	F	G	I	G-kg	PU	Prod.No.	Price €
16 - 19mm	4,3	11	3,5	x	x	0.01	100.00	150149	1.10
20 - 23mm	6,5	11	3,5	41	6,5	0.01	500.00	150271	1.17
25 - 28mm	6,5	11	3,5	46	6,5	0.01	500.00	150272	1.24
31 - 35mm	6,5	11	3,5	52	6,5	0.02	500.00	150240	1.35
39 - 43mm	6,5	11	3,5	64	6,5	0.03	500.00	150293	1.45
47 - 51mm	6,5	11	3,5	70	6,5	0.03	500.00	150238	1.55
60 - 65mm	6,5	11	3,5	80	6,5	0.05	300.00	150239	1.85
72 - 80mm	8,5	14	4,3	106	8,5	0.08	200.00	150291	5.20
87 - 95mm	8,5	14	4,3	117	8,5	0.10	150.00	150292	6.75



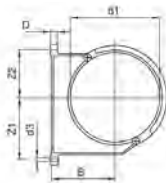
IBG® pipe clip for plastic pipe Type C (d25–d90)

d	Z	Z1	G	Breite mm	G-kg	PU	Prod.No.	Price €
25	35	41	27,5	15,5	0.00	250.00	71069	0.84
32	44,5	50,5	30,5	15,5	0.00	150.00	71070	0.96
40	55,5	61,5	34,5	19,5	0.02	250.00	71071	1.16
50	68,5	74,5	41,5	22,5	0.03	100.00	71072	1.36
63	85	94	50	23,5	0.06	80.00	71073	1.66
75	101	110	58	25,5	0.07	60.00	71074	3.16
90	120	129	68	25,5	0.11	60.00	71075	4.20



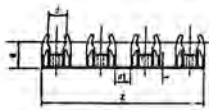
IBG® pipe clip for plastic pipe Type C (d110–d225)

d	d1	Z	G	G1	Width mm	G-kg	PU	Prod.No.	Price €
110	167	189	80	17	26,6	0.15	80.00	70184	5.48
125	185	207	105	35	28	0.21	60.00	70185	7.98
140	204	226	114	35	28,5	0.25	30.00	70186	8.39
160	228	250	124	35	30	0.32	30.00	70187	10.08
200	287	311	158	48	34	0.64	20.00	70188	17.20
225	325	344	170,5	48	34	0.72	15.00	70189	19.31



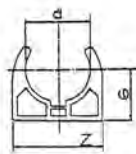
IBG® pipe clip for plastic pipe Type D

d	d3	Z1	Z2	B	D	Width mm	B-kg	VE	Prod.No.	Price €
90	9	89	71	105	15	33	0.19	60.00	72170	7.15
110	9	94	79,5	115	15	33	0.20	40.00	72171	8.39
125	11	115,5	91	130	20	35	0.33	40.00	72172	11.35
140	11	120,5	97,5	130	20	35	0.34	40.00	72173	13.85
160	11	130,5	106,5	147,5	20	35	0.39	20.00	72174	15.97
200	13	151,5	119,5	175	25	35	0.66	10.00	72175	19.73
225	13	164,5	131,5	175	25	40	0.68	10.00	72176	23.08
250	13	182,5	142,5	200	25	40	0.79	10.00	71076	28.95
280	13	197,5	155,5	200	25	40	0.83	2.00	71077	33.98
315	13	218,5	171,5	225	25	40	0.96	10.00	71078	37.32
355	17	275	208,5	257,5	30	50	1.47	10.00	72177	55.34
400	17	300	228	287,5	30	50	1.70	10.00	72178	59.52



IBG® pipe clip for plastic pipe Type AA

d	d1	Z	G	Width mm	G-kg	PU	Prod.No.	Price €
10	3,1	93	14,5	10	0.03	800.00	70238	0.26
12	4,2	105	17	12	0.00	800.00	70239	0.26



IBG® pipe clip for plastic pipe Type A

d	Z	G	Breite mm	G-kg	PU	Prod.No.	Price €
160x	25	23	15,5	0.00	500.00	71065	0.51
20	30	25	15,5	0.01	400.00	71066	0.53
25	35	27	15,5	0.01	300.00	71067	0.64
32	44,5	30	15,5	0.01	200.00	71068	0.78

PIPE CLIP PP

FOR PVC/PP/PVDF/PE PIPES

DIMENSIONS

MATERIAL: PP



Type A:
d10 – d32



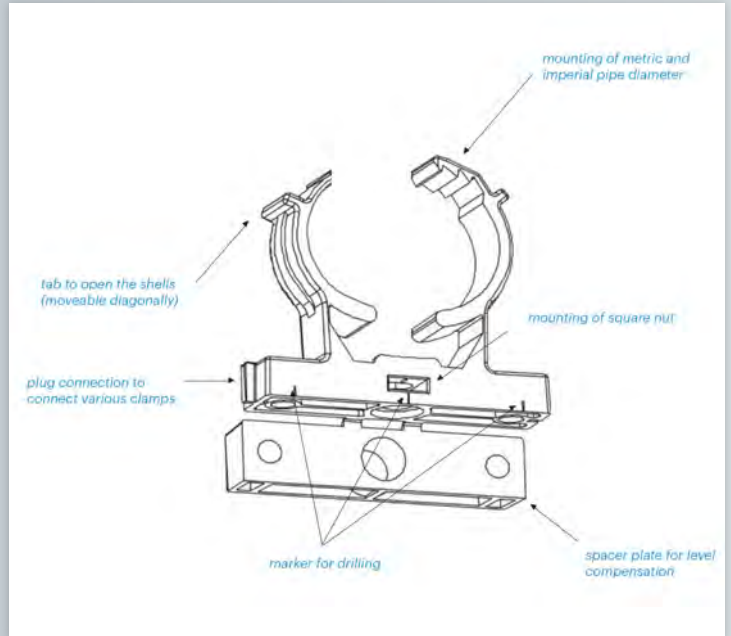
Type B:
d16 –d19 to d39-43
ANSI / ASTM / DIN / JIS /
SCH80 pipes



Type C:
d25 – d225

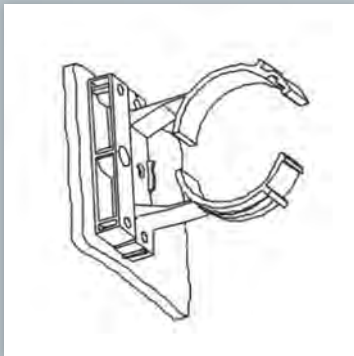


Type D:
d90 – d400



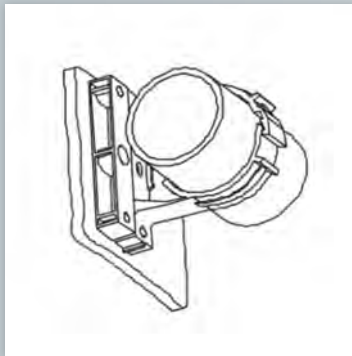
INSTALLATION MANUAL - TYP B

1

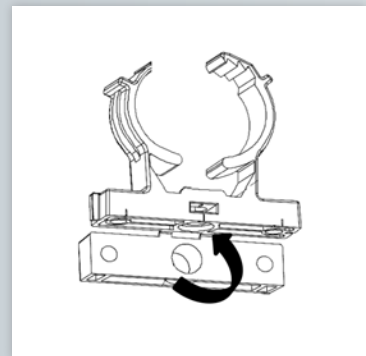
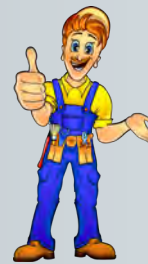


Fix the pipe clip with dowel and screw onto the wall

2



Press the pipe against the wall – ready



BALL VALVE INSTALLATION

Remove the spacer, fix both parts with screws (100 mm longer), fixing of both sides of the valve

PIPE CLAMP FOR CORRECT DISTANCE OF HORIZONTALLY INSTALLED PN 10 AND PN 16 PIPES

Distance in cm

D MM	20 °C	30 °C	40 °C	50 °C	60 °C
16	80	70	50		
20	90	80	60		
25	95	85	65	55	40
32	105	90	70	60	45
40	120	110	90	70	55
50	140	130	110	85	65
63	150	140	120	95	70
75	165	155	135	110	80
90	180	170	150	125	95
110	200	190	170	145	115
125	210	200	185	160	125
140	225	215	195	170	140
160	240	230	210	185	155
200	255	240	225	200	170
225	270	260	240	215	185

The recommended clamp distances refer to the max. bending of the pipe between clamps of 2.5 mm in case of medium density of 1 g/cm³.

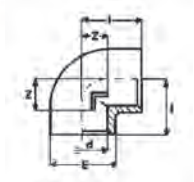
The distance of the clamps is related to the factors: material, diameter and thickness of the pipe wall, average pipe wall temperature, density of the medium.

The clamp distance for vertical installed pipes can be extended by 30%. For mediums with a density of more than 1 g/cm³ the clamp distances have to be reduced according to following instruction.

IBG® elbow 90° solvent socket, grey

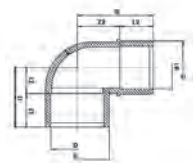


d	PN	DN	I	Z	E	G-kg	PU	Prod.No.	Price €
10	16	6	18	6	14	0.01	250.00	70650	1.34
12	16	8	17	7,6	19	0.01	150.00	70651	1.34
16	16	10	23	9	23	0.01	250.00	70652	0.84
20	16	15	28	11	28	0.02	140.00	70653	0.92
25	16	20	33	13,5	34,5	0.03	100.00	70654	1.50
32	16	25	39	17	42,5	0.05	100.00	70655	2.05
40	16	32	47	21	50,5	0.09	50.00	70656	2.93
50	16	40	57	26	62	0.16	40.00	70506	1.90
63	16	50	71,5	32,5	76	0.25	35.00	70507	4.10
75	16	65	82,5	38,5	92	0.50	30.00	70659	9.20
90	16	80	97	46	110	0.80	10.00	70574	10.60
110	16	100	117	56	136	1.29	8.00	70575	24.57
125	10	65	85	40,3	86	1.85	6.00	71398	44.45
140	10	80	98	46	102	2.47	4.00	70578	62.03
160	10	100	120	56	126	3.63	4.00	70579	79.63
32	16	110	132	64	151	0.04	100.00	70906	1.37
40	16	125	147	71	168	0.07	50.00	70905	1.82
75	16	150	167	81	192	0.31	30.00	73762	6.85
90	10	25	39	17	40	0.47	10.00	73763	10.10
110	10	32	47	21	49	0.89	8.00	73764	20.75
200	10	175	213	106	230	5.73	1.00	70664	182.73
225	10	200	238	118	258	7.80	1.00	70577	223.77
250	10	250	264	133	283	10.39	1.00	71032	376.69
280	10	250	357	210	321	16.90	1.00	70576	574.04
280	6	250	295	149	321	14.30	1.00	71034	498.63
315	10	250	357	210	321	22.69	1.00	71035	703.94
315	6	300	322	158	360	17.50	1.00	71036	615.96
400	6	370	521	300	442	37.95	1.00	72057	1169.02



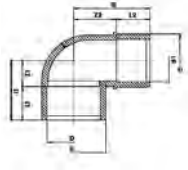
IBG® elbow 90° solvent socket, black (for solar systems), PN10

d	PN	DN	I	Z	E	G-kg	PU	Prod.No.	Price €
50	10	40	57	26	60	0.13	40.00	70129	3.35



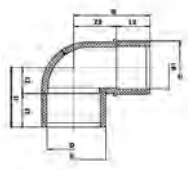
IBG® reduced elbow 90° solvent socket / solvent spigot, grey, PN16

d-D-d1	PN	DN	L	Z	L1	E	H	G-kg	PU	Prod.No.	Price €
50-50/40	16	40	62	29	67,5	62	88	0.13	40.00	71317	2.40
63-63/50	16	50	74	37,5	82	77	104	0.28	35.00	71318	5.60



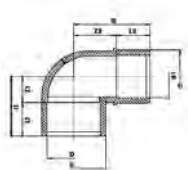
IBG® reduced elbow 90° solvent socket / solvent spigot, black (for solar systems), PN16

d-D-d1	PN	DN	L	Z	L1	E	H	G-kg	PU	Prod.No.	Price €
50-50/40	16	40	62	29	67,5	62	88	0.13	40.00	74264	4.43



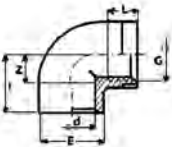
IBG® reduced elbow 90° solvent socket / solvent spigot, white, PN16

d-D-d1	PN	DN	L	Z	L1	E	H	G-kg	PU	Prod.No.	Price €
50-50/40	16	40	62	29	67,5	62	88	0.13	40.00	76645	4.43



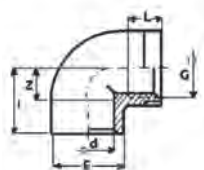
IBG® reduced elbow 90° solvent socket / solvent spigot, white (whirlpool), PN16

d-D-d1	PN	DN	L	Z	L1	E	H	G-kg	PU	Prod.No.	Price €
20 × 20	16	15	16	10	30	28	40	0.08	100.00	75853	5.07
32 × 32	16	25	22	17	39	42	58	0.10	100.00	75854	6.95



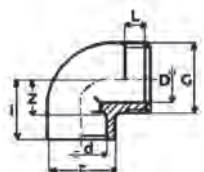
IBG® elbow 90° solvent socket / female thread, reinforced, PN10

d-G	PN	DN	L	L1	Z	E	G-kg	PU	Prod.No.	Price €
16 - 3/8"	23	10	12	9	25	16	0.02	50.00	70816	3.78
20 - 1/2"	28	10	12	12	30	16	0.03	140.00	70817	4.03
25 - 3/4"	33	10	16	15	34,5	16	0.04	100.00	70818	4.20
32 - 1"	39	10	19,1	17	42	16	0.07	100.00	70819	5.89
40 - 1 1/4"	47	10	22	22,4	50,6	16	0.11	50.00	70820	7.15
50 - 1 1/2"	57	10	21,4	26	62	16	0.19	40.00	70821	9.67
63 - 2"	71,5	10	25,7	32	77	16	0.31	35.00	70822	13.01
75 - 2 1/2"	83	10	36	39	88	10	0.53	30.00	70823	28.95
90 - 3"	97	10	39	46	105	10	0.87	10.00	70824	44.03
110 - 4"	117	10	39	56	130	10	1.40	8.00	70825	59.96



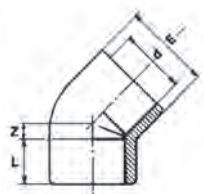
IBG® elbow 90° solvent socket / female thread, PN10, grey

d-G	PN	DN	L	L1	Z	E	G-kg	PU	Prod.No.	Price €
10-1/4"	10	6	9	9	7	14	0.01	150.00	72225	2.52
12-1/4"	10	8	9	9	7	16	0.01	150.00	72226	2.52
16-3/8"	10	10	14	14	11	23	0.01	200.00	71132	2.57
20-1/2"	10	15	14	14	11	28	0.02	50.00	71133	2.63
25-3/4"	10	20	18	18	15	34,5	0.03	30.00	71134	3.19
32-1"	10	25	22	19,1	17	42	0.15	40.00	71135	3.68
40-1 1/4"	10	32	26	21,4	22,3	50,6	0.14	20.00	71136	4.65
50-1 1/2"	10	40	31	21,4	26	62	0.17	20.00	71137	6.31
63-2"	10	50	38	25,7	32	77	0.29	35.00	71138	10.51



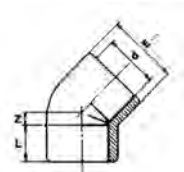
IBG® elbow 90° solvent socket / male thread, PN10, grey

d-G	PN	DN	D	I	L	Z	E	G-kg	PU	Prod.No.	Price €
32 - 1 1/4"	10	25	32	42	19,1	17	40,2	0.05	15.00	71221	2.03
40 - 1 1/4"	10	32	31,8	47	21,4	21	50	0.07	50.00	71222	2.42
50 - 1 1/4"	10	40	31,8	57	21,4	26	62	0.12	40.00	71223	3.19
50 - 1 1/2"	10	40	38	57	21,4	26	62	0.11	40.00	70883	3.32
50 - 2"	10	40	49,5	57	24,5	26	62	0.14	40.00	71224	3.75



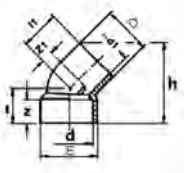
IBG® elbow 45° solvent socket, grey

d	PN	DN	I	Z	E	G-kg	PU	Prod.No.	Price €
10	16	6	12	3	16	0.01	150.00	70666	1.84
12	16	8	12	3,9	18	0.01	160.00	70667	1.00
16	16	10	14	4,5	23	0.01	140.00	70668	1.21
20	16	15	16	5	27,5	0.02	180.00	70669	1.30
25	16	20	18,5	6	34	0.03	120.00	70670	1.75
32	16	25	22	7,5	43	0.05	130.00	70671	1.87
40	16	32	26	9,5	52,5	0.09	80.00	70672	2.71
50	16	40	31	11,5	62	0.13	50.00	70673	2.50
63	16	50	37,5	14	77	0.23	45.00	70674	3.70
75	16	65	43,5	16,5	90,5	0.35	40.00	70675	8.85
90	16	80	51	19,5	110,5	0.64	20.00	70676	12.65
110	16	100	61	23,5	131	0.96	9.00	70677	19.75
125	16	110	69	26,5	151	1.46	6.00	71037	46.95
140	16	125	76	30	174	1.73	6.00	70678	53.68
160	16	150	86	34	188	3.15	4.00	70679	59.12
200	10	175	107	49	230	4.42	1.00	70680	157.14
225	10	200	120	54	260	6.10	1.00	70580	171.82
250	10	250	132	58	286	7.97	1.00	71038	336.07
280	10	250	147	62	321	11.39	1.00	71039	456.72
280	6	250	146	62	321	7.50	1.00	71040	431.59
315	10	300	165	66	360	15.53	1.00	71041	603.37
315	6	300	164	68	355	13.60	1.00	71042	582.44
400	6	370	208	93,5	442	25.06	1.00	72058	1064.29



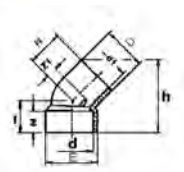
IBG® elbow 45° solvent socket, black (for solar systems), PN10

d	PN	DN	I	Z	E	G-kg	PU	Prod.No.	Price €
50	10	40	31	11,5	59	0.10	50.00	70130	3.29



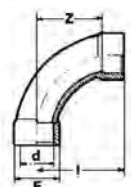
IBG® reduced elbow 45° solvent socket, grey, PN10

d-D-d1	PN	DN	L	Z	L1	E	H	G-kg	PU	Prod.No.	Price €
50-50/40	10	40	44	29	47	62	94	0.11	40.00	71315	3.97
63-63/50	10	50	51,5	37,5	58	77	115	0.20	40.00	71316	5.73



IBG® Reduzierknie 45° solvent socket, white (for whirlpools), PN16

d-D-d1	PN	DN	L	Z	L1	E	H	G-kg	PU	Prod.No.	Price €
20-x/20	16	15	17/23	5	22,5	28	48	0.03	10.00	75998	5.70
32-x/32	16	25	22	8	31	42	64	0.03	10.00	75999	7.98



IBG® bend 90° solvent socket, PN16, grey

d	PN	DN	I	Z	E	G-kg	PU	Prod.No.	Price €
16	16	10	46	32	23	0.01	50.00	71030	3.64
20	16	15	56	40	27	0.03	120.00	70984	3.68
25	16	20	69	50	35	0.04	100.00	70985	4.86
32	16	25	86	64	40	0.08	50.00	70986	5.89
40	16	32	106	80	49	0.14	30.00	70978	8.63
50	16	40	131	100	62	0.26	60.00	70979	8.85
63	16	50	164	126	76	0.49	30.00	70980	12.17
75	16	65	190	149	94	0.50	14.00	70981	33.98
90	16	80	231	180	112	0.80	6.00	70982a	40.67
110	16	100	283	222	137	2.75	4.00	70983	61.63
140	16	125	355	280	167	5.08	2.00	71031	152.54
160	16	150	410	319	190	7.60	2.00	70987	197.79



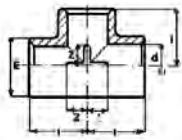
IBG® bend 90° made of PVC pipe, grey

d	OPR bar	DN	B	Z	G-kg	PU	Prod.No.	Price €
32	16	25	25	60	0.07	50.00	71319	4.03
40	16	32	30	76	0.12	30.00	71320	5.07
50	16	40	35	92	0.21	80.00	71321	7.57
63	16	50	43	102	0.39	45.00	71322	10.94
75	16	65	51	118	0.56	25.00	71323	22.65
90	16	80	58	142	0.98	5.00	71324	30.63
110	10	100	70	175	1.35	4.00	71325	41.10
125	10	110	79	200	2.03	1.00	71326	52.82
140	10	125	87	236	3.24	1.00	71327	83.83
160	10	150	99	260	4.19	1.00	71328	109.38
200	10	175	122	330	7.73	1.00	71329	199.47
225	10	200	137	380	9.93	1.00	71330	263.98
250	10	250	151	390	13.63	1.00	71331	331.02
280	10	250	168	480	18.91	1.00	71332	523.80
315	6	300	188	625	31.23	1.00	71333	708.14
400	6	370	250	1100	35.00	1.00	71334	1466.52



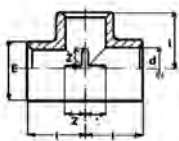
IBG® bend 45° solvent socket, made of PVC pipe, grey

d	OPR bar	DN	B	Z	G-kg	PU	Prod.No.	Price €
32	16	25	25	26	0.05	30.00	71335	3.68
40	16	32	30	36	0.09	20.00	71336	4.13
50	16	40	35	40	0.16	20.00	71337	6.31
63	16	50	43	46	0.28	10.00	71338	10.08
75	16	63	51	54	0.41	10.00	71339	13.01
90	16	80	58	63	0.74	10.00	71340	25.57
110	10	100	70	80	0.96	5.00	71341	33.54
125	10	110	79	89	1.50	1.00	71342	45.28
140	10	125	87	98	2.29	1.00	71343	74.61
160	10	140	99	119	3.33	1.00	71344	87.18
200	10	175	122	143	5.62	1.00	71345	160.09
225	10	200	137	166	7.27	1.00	71346	208.69
250	10	250	150	170	10.08	1.00	71347	265.68
280	10	250	168	214	13.65	1.00	71348	384.27
315	6	300	188	236	19.61	1.00	71349	501.98
400	6	370	250	550	35.00	1.00	71350	895.42



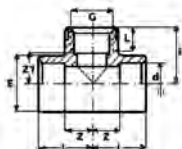
IBG® Tee 90°, grey

d	PN	DN	I	Z	E	G-kg	PU	Prod.No.	Price €
10	16	6	18	6	14	0.01	250.00	70689	1.30
12	16	8	19,6	7,6	18	0.01	250.00	70690	1.34
16	16	10	24	9	23,2	0.02	140.00	70691	1.34
20	16	15	27,5	11	28	0.03	100.00	70692	1.37
25	16	20	32,9	13,5	34,6	0.04	70.00	70693	2.00
32	16	25	40,5	17	42	0.08	100.00	70694	2.16
40	16	32	48,9	21,6	51	0.12	50.00	70695	3.04
50	16	40	59,3	26	62,4	0.22	30.00	70022	2.40
63	16	50	71	32,5	78	0.38	30.00	72632	4.95
75	16	65	83,5	38,5	93	0.65	25.00	70696	13.35
90	16	80	99	46	112	1.14	18.00	70697	19.60
110	16	100	117	56	132	1.98	10.00	70581	27.90
125	16	110	133	63	150	2.39	4.00	71043	70.84
140	16	125	147	71	171	3.64	5.00	70642	94.71
160	16	150	167	81	192	5.45	4.00	70583	104.37
32	10	25	40,5	17	40	0.05	100.00	70897	1.41
40	10	32	48,9	21,6	49	0.10	50.00	70896	1.90
75	10	65	85	41	86	0.43	24.00	73766	8.72
90	10	80	117	49	102	0.80	14.00	73767	14.49
110	10	100	122	58	126	1.30	7.00	73768	26.86
200	10	175	213	106	232	8.00	1.00	70700	204.09
225	10	200	284	118	258	5.50	1.00	70584	239.71
250	10	250	261	132	284	14.28	1.00	71044	404.35
280	10	250	291	144	320	19.89	1.00	71045	677.94
280	6	250	290	144	320	7.00	1.00	71046	624.36
315	10	300	327	162	360	27.18	1.00	71047	782.28
315	6	300	326	162	355	24.10	1.00	71048	750.04
400	6	370	421	213	442	41.91	1.00	72059	1319.44



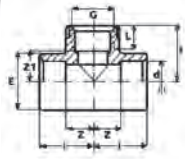
IBG® Tee90°, black (for solar systems), PN10

d	PN	DN	I	Z	E	G-kg	PU	Prod.No.	Price €
50	10	40	59,3	26	60	0.16	30.00	70893	4.03



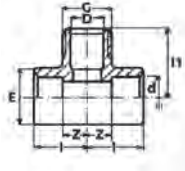
IBG® Tee90° solvent socket / female thread, reinforced, grey

d-G	PN	DN	I	L	Z	Z1	E	G-kg	PU	Prod.No.	Price €
16-3/8"	16	10	23	12	9	12	23	0.02	50.00	70826	4.43
20-1/2"	16	15	28	15	12	14	30	0.04	100.00	70827	4.65
25-3/4"	16	20	33	16,3	15	16,7	35	0.06	70.00	70828	5.48
32- 1"	16	25	40,5	19,1	17	21,5	41,8	0.09	100.00	70829	6.75
40-1 1/4"	16	32	48,3	21,4	21,6	26,9	50,7	0.12	50.00	70830	9.67
50-1 1/2"	16	40	59,3	21,4	27,8	33,6	61,7	0.26	30.00	70831	13.01
63- 2"	16	50	71,8	25,7	33,3	45,8	77,2	0.43	30.00	70832	19.73
75-2 1/2"	10	65	82,5	34	38,5	48,5	88	0.70	18.00	70833	40.67
90- 3"	10	80	97	41	46	56	105	1.20	10.00	70834	59.12
110- 4"	10	100	117	41	56	77	130	1.89	7.00	70835	78.40



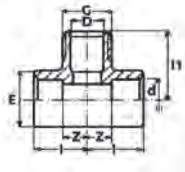
IBG® Tee 90° solvent socket / female thread, PN10, grey

d-G	PN	DN	I	L	Z	Z1	E	G-kg	PU	Prod.No.	Price €
32-1"	10	25	39	19,1	17	21,5	41,8	0.08	10.00	71139	4.20
40-1 1/4"	10	32	48,3	21,4	21,6	26,9	50,7	0.12	50.00	71140	5.48
50-1 1/2"	10	40	59,3	21,4	27,8	33,6	62,7	0.22	30.00	71141	6.75
63-2"	10	50	71,8	25,7	33,3	45,8	77,2	0.41	30.00	71154	10.51



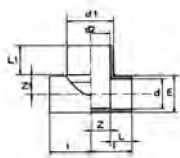
IBG® Tee 90° solvent socket / pipe male thread, PN10, grey

d-G	PN	DN	I	L	Z	Z1	E	G-kg	PU	Prod.No.	Price €
32 - 1"	10	25	25	40,5	39	17	41	0.07	15.00	71225	2.08
32 - 1 1/4"	10	25	32	47,8	48	24	41	0.08	10.00	71226	2.08
40 - 1"	10	32	25	48,3	47,5	21	51	0.09	50.00	71227	2.52
40 - 1 1/4"	10	32	32	48,3	47,5	21	51	0.11	50.00	71228	2.52
50 - 1"	10	40	25	58,9	58,5	28	62	0.15	30.00	71229	3.45
50 - 1 1/4"	10	40	32	59,8	59	27	62	0.18	30.00	71230	3.45
50 - 1 1/2"	10	40	37	58,9	57	27	62	0.18	30.00	71231	3.45
63 - 1"	10	50	24	71,8	70,3	33	77	0.27	30.00	71232	7.15
63 - 1 1/4"	10	50	30	71,8	70,3	32	77	0.32	30.00	71233	7.15
63 - 1 1/2"	10	50	35	71,8	70,3	33	77	0.33	30.00	71234	7.15
63 - 2"	10	50	45	71,8	70,3	33	77	0.34	40.00	71235	7.15



IBG® Tee90° solvent socket / reduced, PN16, grey

d-d1	PN	DN	I	Z	Z1	E	E1	G-kg	PU	Prod.No.	Price €
25-20	16	20-15	33,3	13,6	13,4	33,4	29,5	0.04	70.00	70702	1.82
32-20	16	25-15	39,8	17	16,8	41,8	29,7	0.07	100.00	70703	2.26
32-25	16	25-20	39,8	17	16,8	41,8	34,3	0.07	100.00	70704	2.26
40-20	16	32-15	47,7	21	20,7	50,4	31,4	0.11	50.00	70705	3.29
40-25	16	32-20	47,7	21	20,6	50,4	35,5	0.11	50.00	70452	3.29
40-32	16	32-25	47,7	21	20,7	50,4	42,5	0.12	50.00	71049	3.29
50-20	16	40-15	57,6	25,9	25,3	61,8	31,8	0.18	60.00	70706	3.64
50-25	16	40-20	57,6	25,9	25,4	61,8	36,8	0.18	50.00	70707	3.64
50-32	16	40-25	57,6	25,9	26,3	61,8	43,8	0.19	50.00	70708	3.64
50-40	16	40-32	57,6	25,9	25,5	61,6	51,8	0.19	50.00	70709	3.64
63-25	16	50-20	71,2	32,4	32,1	76,7	38,7	0.32	30.00	70710	7.98
63-32	16	50-25	71,2	33,4	32,1	76,7	45,8	0.33	30.00	70711	7.98
63-40	16	50-32	71,2	33,4	32,1	76,7	53,8	0.33	30.00	70712	7.98
63-50	16	50-40	71,2	33,4	32,1	76,7	63,8	0.34	30.00	70023	7.98
75-32	16	65-25	82,5	38,5	38,5	92	42	0.55	30.00	70960	13.43
75-40	16	65-32	82,5	38,5	38,5	92	51	0.57	30.00	71050	13.43
75-50	16	65-40	82,5	38,5	38,5	92	61	0.58	28.00	71051	13.43
90-32	16	80-25	97	46	46	110	42,5	0.92	8.00	71052	23.08
90-50	16	80-40	97	46	46	110	62,5	0.96	8.00	71053	23.08
90-63	16	80-50	97	46	46	110	77	0.98	10.00	70958	23.08
90-75	16	80-65	97	46	46	110	92,5	1.03	14.00	70959	23.08
110-32	16	100-25	117	61	61	132	42,5	1.54	9.00	71054	36.48
110-50	16	100-40	117	61	61	133	62,5	1.56	9.00	70961	36.48
110-90	16	100-80	117	61	61	133	110	1.74	8.00	70962	36.48



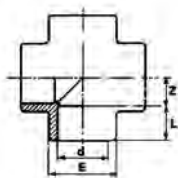
IBG® Tee 45° solvent socket, grey

d	PN	DN	I	I1	Z1	Z	B	E	G-kg	PU	Prod.No.	Price €
10	16	6	30	30	18	4	12	16	0.01	150.00	70006	4.20
12	16	8	33	33	21	4	12	18	0.01	150.00	70007	4.20
16	16	10	39	39	25	5	14	23	0.02	150.00	70020	4.65
20	16	15	46	46	30	6	16	27,5	0.08	150.00	70713	4.65
25	16	20	52	56	36	6	19	33	0.09	150.00	70714	5.07
32	16	25	66	66	45	7	22	42	0.12	100.00	70715	5.89
40	16	32	82	82	56	10	26	50,5	0.20	80.00	70716a	0.00
50	16	40	100	100	69	12	31	62	0.30	40.00	70717	10.51
63	10	50	124	124	86	14	38	77,5	0.55	30.00	70718	15.54
75	10	65	146	146	102	17	44	93	0.98	16.00	70719	24.34
90	10	80	172	172	121	20	51	116	1.44	9.00	70720	51.13
110	10	100	209	209	148	24	61	128	2.30	5.00	70721	66.64
125	10	110	236	236	167	30	69	147	3.91	3.00	71055	120.72
140	10	125	266	266	190	34	76	168	5.98	2.00	70450	165.54
160	10	150	297	297	211	35	86	190	5.99	2.00	70722	229.23
200	6	175	373	315	266	49	107	232	11.72	1.00	72060	444.15
225	6	200	417	352	297	55	126	258	16.50	1.00	72061	716.50
250	6	250	462	390	330	60	132	284	21.47	1.00	72062	917.62



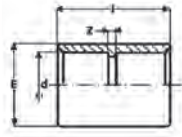
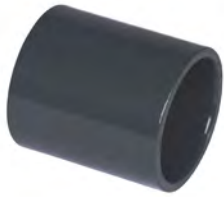
IBG® Tee90° solvent socket (for whirlpools), grey

d-D1-d	PN	DN	I	L	Z	L1	E	Z1	G-kg	PU	Prod.No.	Price €
32-50-32	10	25	45	21	22	53	39	22	0.07	100.00	73863	2.71
50-50-50	10	25	40	33	26	x	x	x	0.20	100.00	73865	4.03



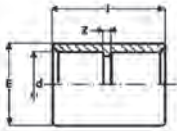
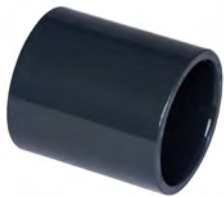
IBG® cross solvent socket, grey

d	PN	DN	I	Z	E	G-kg	PU	Prod.No.	Price €
10	16	6	14	6,5	16	0.01	150.00	70453	3.01
12	16	8	12	7,5	18	0.01	150.00	70454	3.01
16	16	10	16	9,5	23	0.02	150.00	70455	3.19
20	16	15	16	11	28	0.04	100.00	70723	3.45
25	16	20	20,6	13,5	31,4	0.05	150.00	70724	5.07
32	16	25	23	17	42	0.10	150.00	70725	6.95
40	16	32	33	21	51	0.15	90.00	70726	9.67
50	16	40	32	26	63	0.24	54.00	70727	10.08
63	16	50	38,5	32,5	77	0.42	25.00	70728	13.43
75	10	65	41,4	38,5	92	0.78	16.00	70729	29.79
90	10	80	52,5	46	106	1.31	5.00	70730	53.25
110	10	100	61	56	133	2.30	5.00	70731	82.17



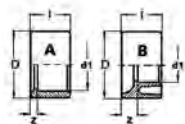
IBG® socket solvent socket, grey

d	PN	DN	I	Z	E	G-kg	PU	Prod.No.	Price €
10	16	6	27	3	16	0.01	300.00	70732	0.84
12	16	8	27	3	18	0.01	250.00	70733	0.84
16	16	10	32	3	22,5	0.01	200.00	70734	0.92
20	16	15	35,8	3	27,3	0.01	200.00	70735	1.00
25	16	20	41,5	3	31	0.02	200.00	70736	1.11
32	16	25	47,4	3	39	0.03	100.00	70737	1.30
40	16	32	55	3	48,1	0.04	150.00	70738	1.90
50	16	40	65,8	3	60	0.07	60.00	70739	1.45
63	16	50	80	3	75,1	0.14	50.00	70740	2.30
75	16	65	93	4	90	0.23	50.00	70741	4.80
90	16	80	106	5	105,5	0.38	30.00	70742	6.85
110	16	100	145	7	145	0.64	20.00	70743	10.10
125	16	110	145	7	145	0.95	12.00	71056	30.63
140	16	125	160	8	163	1.44	8.00	70744	38.58
160	16	150	181,5	8	189	2.07	6.00	70745	55.34
200	10	175	222	12	232	3.30	1.00	70746	85.91
225	10	200	249	11	262	4.00	1.00	70747	96.81
250	10	250	270	8	286	5.81	1.00	71057	153.79
280	10	250	304	10	320	8.70	1.00	71058	182.73
315	10	300	342	12	355	10.78	1.00	71060	203.68



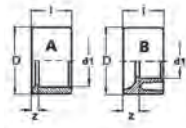
IBG® socket solvent socket, black (for solar systems), PN16

d	PN	DN	I	Z	E	G-kg	PU	Prod.No.	Price €
50	16	40	65,8	3	60	0.08	60.00	70887	2.14



IBG® reductions, short, solvent spigot / solvent socket, grey

D-d1	PN	DN x DN1	I	Z	Type	G-kg	PU	Prod.No.	Price €
	16	10-8	14	2	A	0.01	300.00	70748	0.47
20-16	16	15-10	16	2	A	0.01	300.00	70749	0.61
25-12	16	20-8	19	2	B	0.01	10.00	71564	0.88
25-16	16	20-10	19	4,5	A	0.01	200.00	70750	0.88
25-20	16	20-15	19	2,5	A	0.01	200.00	70751	0.88
32-16	16	25-10	22	8	B	0.02	250.00	70752	1.21
32-20	16	25-15	22	6	B	0.01	200.00	70753	1.21
32-25	16	25-20	22	3,5	A	0.01	200.00	70754	1.21
40-16	16	32-10	26	12	B	0.02	150.00	70755	1.25
40-20	16	32-15	26	10	B	0.02	150.00	70756	1.25
40-25	16	40-20	26	7	A	0.02	150.00	70757	1.25
40-32	16	32-25	26	4	A	0.02	150.00	70758	1.25
50-20	16	40-15	31	15	B	0.04	170.00	70499	1.50
50-25	16	40-20	31	12,5	B	0.04	170.00	70498	1.50
50-32	16	40-25	31	9	B	0.04	170.00	70497	1.50
50-40	16	40-32	31	5	A	0.03	170.00	70496	1.50
63-25	16	50-20	38	19	B	0.05	140.00	70503	2.38
63-32	16	50-25	38	15,5	B	0.06	140.00	70502	2.38
63-40	16	50-32	38	11,5	B	0.06	140.00	70501	2.38
63-50	16	50-40	38	6,5	A	0.06	140.00	70500	2.38
75-32	16	65-25	44	21,5	B	0.09	80.00	70759	3.72
75-40	16	65-32	44	19	B	0.08	80.00	70760	3.72
75-50	16	65-40	44	12,5	B	0.09	80.00	70761	3.72
75-63	16	75-50	44	8	A	0.18	80.00	70762	3.73
90-40	16	80-32	51	25	B	0.16	40.00	70763	7.57
90-50	16	80-40	51	20	B	0.18	40.00	70764	7.57
90-63	16	80-50	51	13,5	B	0.16	40.00	70765	7.57
90-75	16	80-65	51	7,5	A	0.14	40.00	70766	7.57
110-50	16	100-40	61	30	B	0.27	30.00	70767	13.43
110-63	16	100-50	61	23,5	B	0.29	30.00	70768	13.43
110-75	16	100-65	61	17,5	B	0.30	30.00	70769	13.43
110-90	16	100-80	61	10	A	0.26	30.00	70770	13.43
125-75	16	110-61	69	25	B	0.41	24.00	72063	24.76
125-90	16	110-80	69	18	B	0.42	24.00	71079	24.76
125-110	16	110-100	69	8	A	0.29	24.00	71080	24.76
140-75	16	125-65	76	32	B	0.58	15.00	70771	23.08
140-90	16	125- 80	76	25	B	0.63	15.00	70590	23.08
140-110	16	125-100	76	15	A	0.62	15.00	70772	22.20
140-125	16	125-110	76	15	A	0.34	15.00	70451	23.08
160-90	16	150- 80	86	35	B	0.88	10.00	70592	35.63
160-110	16	150-100	86	25	B	0.84	10.00	70591	35.63
160-125	10	150-110	86	17	B	0.99	2.00	71957	35.63
160-140	10	150-125	86	10	A	0.56	10.00	70773	35.63
200-110	10	175-100	106	46	B	2.11	10.00	70774	60.80
200-125	10	175-110	106	36	B	2.14	10.00	70775	60.80
200-140	10	175-125	106	29	B	2.04	10.00	70776	60.80
200-160	10	175-150	106	31	B	1.76	10.00	70777	60.80
225-110	10	200-100	106	59	B	2.70	3.00	70778	86.34
225-125	10	200-110	119	50	B	2.78	3.00	72064	86.34
225-140	10	200-125	108	40,5	B	2.81	3.00	70779	86.34
225-160	10	200-150	118	32,5	B	2.75	3.00	70780	86.34
225-200	10	200-175	118	12	A	1.57	3.00	70636	86.34
250-125	10	250-110	131	62	B	3.46	3.00	72065	125.31
250-140	10	250-125	131	55	B	3.39	3.00	72066	125.31
250-160	10	250-150	131	46	B	3.58	3.00	71081	125.31
250-200	10	250-175	131	26	A	3.42	3.00	71082	125.31
250-225	10	250-200	131	12	A	1.89	3.00	71083	125.31



D-d1	PN	DN x DN1	I	Z	Type	G-kg	PU	Prod.No.	Price €
280-200	10	250-175	146	40	B	4.66	1.00	71084	149.22
280-225	10	250-200	146	27	B	4.66	1.00	71085	149.22
280-250	10	250-250	146	15	A	2.77	1.00	71086	149.22
315-160	6	300-150	163	86	B	5.52	1.00	72067	162.19
315-200	6	300-175	163	57	B	5.77	1.00	71087	162.19
315-225	6	300-200	163	44	B	5.95	1.00	71088	162.19
315-250	6	300-250	163	32	B	6.79	1.00	71089	162.19
315-280	6	300-250	163	17	A	3.98	1.00	71090	162.19
355-315	6	315-300	184	20	B	5.77	1.00	72086	206.59
400-250	6	350-250	206	75	B	11.54	1.00	72069	213.71
400-315	6	370-300	206	42	B	13.67	1.00	71091	213.71
400-355	6	370-300	206	21	A	7.98	1.00	71092	213.71



IBG® reductions, short, solvent d50/d63 female thread

Produkt	G-kg	PU	Prod.No.	Price €
Reduction short PVC grey solvent D/female thread d50 - 1/2"	0.06	100.00	170032	7.06
Reduction short PVC grey solvent D/female thread - d50-3/4"	0.06	100.00	170033	7.06
Reduction short PVC grey solvent D/female thread d63 - 1/2"	0.09	100.00	170030	7.99
Reduction short PVC grey solvent D/female thread - d63-3/4"	0.10	100.00	170031	7.99



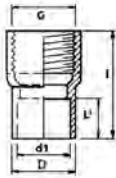
Drain valve

Produkt	G-kg	PU	Prod.No.	Price €
Drain Valve for cone check valve, male thread 3/4"	0.03	100.00	73598	8.75
Drain Valve for cone check valve, hose nozzle / male thread 3/4"	0.06	500.00	70207	8.75



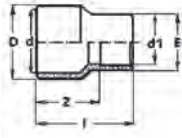
Teflon strip

Produkt	G-kg	PU	Prod.No.	Price €
Teflon tape 12 x 0,075 x 12 mm	0.01	1.00	71940	1.20



IBG® reductions, short, solvent spigot / female thread, PN10

D(d1)-G	PN	DN	I	I1	Tpye	Sw	G-kg	PU	Prod.No.	Price €
16 - 1/4"	10	10	22	14	B	19	0.01	250.00	71247	2.03
20 - 1/4"	10	15	24	16	B	22	0.01	250.00	71256	2.08
20 - 3/8"	10	15	24	16	B	22	0.01	250.00	71257	2.08
25 - 3/8"	10	20	27	19	B	27	0.01	250.00	71258	2.68
25 - 1/2"	10	20	27	19	B	27	0.01	250.00	70970	2.68
32 - 1/2"	10	25	30	22	B	36	0.03	250.00	71259	3.29
32 - 3/4"	10	25	30	22	B	36	0.02	250.00	71260	3.29
40 - 1/2"	10	32	37	26	B	46	0.04	200.00	71261	3.75
40 - 3/4"	10	32	37	26	B	46	0.04	100.00	71262	3.75
40 - 1"	10	32	37	26	B	46	0.03	100.00	71263	3.75
50 - 1/2"	10	40	43	31	B	55	0.07	100.00	71264	4.65
50 - 3/4"	10	40	43	31	B	55	0.07	100.00	71265	4.65
50 - 1"	10	40	43	31	B	55	0.07	100.00	71266	4.65
50 - 1 1/4"	10	40	43	31	B	55	0.05	100.00	71267	4.65
50/40 - 1 1/2"	10	40	81	26	A	×	0.13	100.00	71268	5.48
63 - 1 1/4"	10	51	51	38	B	65	0.11	100.00	71269	7.57
63 - 1 1/2"	10	50	51	38	B	65	0.10	100.00	71270	7.57
63 /50 - 2"	10	50	98	32	C	80	0.32	50.00	71271	9.25
75 - 1 1/4"	10	63	57	44	B	80	0.17	50.00	71272	10.51
75 - 1 1/2"	10	65	57	44	B	80	0.16	50.00	71273	10.51
75 - 2"	10	65	57	44	B	80	0.15	50.00	71274	10.51
75 /63 - 2 1/2"	10	65	83	38	A	×	0.38	25.00	71275	13.01
90/75 - 2"	10	80	71	51	B	95	0.28	25.00	71276	13.43
90/75 - 3"	10	80	97	51	A	×	0.31	25.00	71277	21.40
110/90 - 2"	10	100	93	61	B	115	0.52	25.00	71278	30.19
110/90 - 2 1/2"	10	100	93	61	B	115	0.48	25.00	71279	30.19
110 - 3"	10	100	83	61	B	115	0.45	25.00	71280	32.28
125 - 3"	10	110	94	69	B	138	0.65	5.00	71281	41.52
125 - 4"	10	110	94	69	B	138	0.45	5.00	71282	41.52



IBG® reductions, long, solvent socket / solvent spigot / solvent socket, PN16, grey

D-d-d1	PN	DN	I	Z	E	G-kg	PU	Prod.No.	Price €
10-8-6	16	6-5-5	26	14	10	0.01	250.00	70781	1.25
12-10-8	16	8-5-6	26	14	12	0.01	250.00	70782	1.25
16-12-8	16	10-8-5	32	18	11	0.01	250.00	70783	1.30
16-12-10	16	10-8-6	32	18	14	0.01	250.00	70784	1.30
20-16-10	16	15-10-6	32	18	14	0.01	100.00	70785	1.34
20-16-12	16	15-10-8	33	21	19	0.01	100.00	70786	1.34
25-20-16	16	20-15-10	39	25	23	0.01	100.00	70787	1.37
25-20-20	16	20-15-15	42	25	25	0.01	100.00	70789	1.37
32-25-16	16	25-20-10	44	30	23	0.02	100.00	70459	1.41
32-25-20	16	25-20-15	45	30	28	0.02	100.00	70790	1.41
32-25-25	16	25-20-20	49	30	32	0.02	100.00	70791	1.41
40-32-16	16	32-25-10	50	36	28	0.02	110.00	70792	1.46
40-32-20	16	32-25-15	52	36	28	0.03	110.00	70793	1.46
40-32-25	16	32-25-20	55	36	33	0.03	110.00	70794	1.46
40-32-32	16	32-25-25	58	36	40	0.04	110.00	70795	1.46
50-40-20	16	40-32-15	60	44	28	0.05	50.00	70796	1.90
50-40-25	16	40-32-20	63	44	33	0.05	50.00	70458	1.90
50-40-32	16	40-32-25	66	44	42	0.07	50.00	70797	1.90
50-40-40	16	40-32-32	70	44	50	0.07	50.00	70798	1.90
63-50-25	16	50-40-20	74	54	33	0.09	50.00	70799	2.79
63-50-32	16	50-40-25	73	54	42	0.10	50.00	70800	2.79
63-50-40	16	50-40-32	81	54	51,5	0.11	40.00	70801	2.79
63-50-50	16	50-40-40	81	54	65,1	0.14	50.00	70802	2.79
75-63-32	16	65-50-25	84	62	42	0.13	50.00	70803	4.65
75-63-40	16	65-50-32	92	62	52,4	0.14	50.00	70804	4.65
75-63-50	16	65-50-50	93	62	63,5	0.16	50.00	70805	4.65
75-63-63	16	65-50-50	100	62	75	0.19	50.00	70806	4.65
90-75-40	16	80-65-32	100	74	51,5	0.22	20.00	70807	5.48
90-75-50	16	80-65-40	105	74	63,5	0.24	20.00	70808	5.48
90-75-63	16	80-65-50	112	74	76,5	0.27	20.00	70809	5.48
90-75-75	16	80-65-65	118	74	90	0.32	10.00	70810	5.48
110-90-50	16	100-80-40	112	81	60	0.44	30.00	70811	15.54
110-90-63	16	100-80-50	112	74	75	0.44	30.00	70639	15.54
110-90-75	16	100-80-65	112	68	92	0.46	12.00	70812	15.54
125-110-63	16	110-100-50	131	93	77	0.46	5.00	70813	18.04
125-110-75	16	110-100-65	131	87	92	0.51	5.00	70814	18.04
125-110-90	16	110-100-80	131	80	106	0.53	5.00	70815	18.04
140-125-75	16	125-110-65	146	102	92	0.63	5.00	70640	23.91
140-125-90	16	125-110-80	146	95	106	0.65	5.00	70788	23.91
140-125-110	16	125-110-100	146	85	92	0.71	5.00	70641	23.91



IBG® adapter union solvent socket , grey

d	PN	DN	E	G	L	I	I1	Z	G-kg	PU	Prod.No.	Price €
10	16	6	31	5/8"	37	15	22	13	0.03	200.00	72114	3.61
12	16	8	29	5/8"	38	15	22	13	0.02	200.00	71116	3.61
16	16	10	34	3/4"	41	17	24	13	0.03	100.00	70682	3.69
20	16	15	42	1"	45	19	26	13	0.04	100.00	70513	3.80
25	16	20	53	1 1/4"	51	22	29	13	0.06	100.00	70683	4.54
32	16	25	58	1 1/2"	58	25	33	13	0.09	100.00	70514	6.31
40	16	32	73	2"	67	29	38	15	0.15	60.00	70515	6.14
50	16	40	83	2 1/4"	80	34	45	17	0.19	32.00	70684	6.59
63	16	50	103	2 3/4"	99	42	56	21	0.36	20.00	70685	10.97
75	10	65	118	3 1/2"	108	47	62	20	0.60	20.00	70686	46.65
90	10	80	135	4"	124	56	68	22	0.75	20.00	70687	57.97
110	10	100	163	5"	138	66	72	16	1.16	6.00	70688	70.04



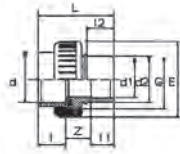
Ocean adapter union, PNO6, grey

Product	G-kg	PU	Prod.No.	Price €
Ocean adapter union solvent socket/solvent socket				
Adapter union Ocean PVC grey PVCu solvent socket d50 metric EPDM	0.10	75.00	170397	4.80
Adapter union Ocean PVC grey PVCu solvent socket d63 metric EPDM	0.18	40.00	170403	6.03
Adapter union Ocean PVC grey PVCu solvent socket d90 metric EPDM	1.11	10.00	170082	27.94



IBG® adapter union solvent socket for transition ISO/ASTM pipe to metric pipe, grey

d-D	PN	DN	E	G	L	I	I1	Z	G-kg	PU	Prod.No.	Price €
1/2" ISO/ASTM-20 mm	16	15	42	1"	45	19	26	13	0.09	10.00	72115	5.89
3/4" ISO-25 mm	16	20	53	1 1/4"	51	22	29	13	0.08	10.00	72116	6.51
3/4" ASTM-25 mm	16	20	53	1 1/4"	51	22	29	13	0.08	10.00	72117	6.51
1" ISO-32 mm	16	25	58	1 1/2"	58	25	33	13	0.10	18.00	72118	7.57
1" ASTM-32 mm	16	25	58	1 1/2"	58	25	33	13	0.09	20.00	72119	7.57
1 1/4" ISO-40 mm	16	32	73	2"	67	29	38	14	0.17	10.00	72120	8.85
1 1/4" ASTM-40 mm	16	32	73	2"	67	29	38	14	0.17	10.00	72121	8.85
1 1/2" ASTM/ISO-50 mm	16	40	83	2 1/4"	80	34	45	17	0.20	32.00	72122	10.08
2" ASTM/ISO-63 mm	16	50	103	2 3/4"	99	42	56	21	0.37	20.00	72123	17.20



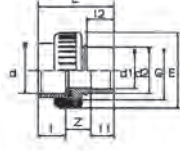
IBG® adapter union reducing pipe solvent socket / solvent socket / solvent spigot, PN16, grey

d-d1-d2	PN	DN	G	L	I	L1	L2	G-kg	PU	Prod.No.	Price €
50 - 40/50	16	40	2 1/4"	86	34	x	x	0.21	90.00	71313	7.15
63 - 50/63	16	50	2 3/4"	112	42	37	85	0.37	90.00	71314	10.94



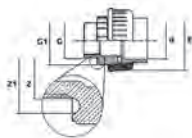
IBG® adapter union solvent socket / female thread, type 1

d-G	PN	DN	L	G1	I	I1	Z	E	G-kg	PU	Prod.No.	Price €
12 - 1/4"	10	6	46	5/8"	12	24	13	35	0.02	10.00	72601	4.43
16 - 3/8"	10	10	42	3/4"	18	24	13	37	0.03	20.00	71214	4.65
20 - 1/2"	10	15	46	1"	19	26	13	43	0.04	60.00	71215	4.86
25 - 3/4"	10	20	51	1 1/4"	22	29	13	53	0.06	90.00	71216	5.07
32 - 1"	10	25	58	1 1/2"	25	33	13	60	0.09	100.00	71217	5.70
40 - 1 1/4"	10	32	67	2"	29	38	15	74	0.15	60.00	71218	6.31
50 - 1 1/2"	10	40	80	2 1/4"	34	45	17	83	0.21	32.00	71219	7.98
63 - 2"	10	50	98	2 3/4"	41	56	21	103	0.39	20.00	71220	12.58



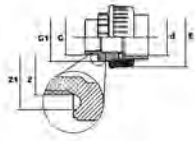
IBG® adapter union solvent socket / male thread, type B, grey

d-G	PN	DN	G1	L	Z1	Z2	E	G-kg	PU	Prod.No.	Price €
12 - 1/4"	10	6	5/8"	12	9	5	33	0.03	50.00	72169	4.43
16 - 3/8"	10	10	3/4"	17	9	5	35	0.04	50.00	71240	4.65
20 - 1/2"	10	15	1"	19	10	5	43	0.04	100.00	71241	5.26
25 - 3/4"	10	20	1 1/4"	22	11	6	53	0.08	50.00	71242	7.57
32 - 1"	10	25	1 1/2"	25	12	6	60	0.10	80.00	71243	8.39
40 - 1 1/4"	10	32	2"	29	14	7	74	0.18	50.00	71244	9.25
50 - 1 1/2"	10	40	2 1/4"	34	16	7	83	0.19	40.00	71245	11.35
63 - 2"	10	50	2 3/4"	41	18	8	103	0.38	20.00	71246	13.43



IBG® adapter union solvent socket / male thread with O-ring sealing on thread, grey, PN10

d-G	PN	DN	G1	L	Z1	Z2	G-kg	PU	Prod.No.	Price €
50 - 1 1/2"	10	40	2 1/4"	48	58	83	0.22	60.00	71973	9.00
50 - 2"	10	40	2 1/4"	60	70	83	0.20	40.00	71975	10.32
63 - 2"	10	50	2 3/4"	60	70	103	0.40	35.00	71977	12.00



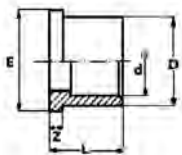
IBG® adapter union solvent socket / male thread with O-ring sealing on thread, white, PN10

d-G	PN	DN	G1	L	Z1	Z2	G-kg	PU	Prod.No.	Price €
50 - 1 1/2"	10	40	2 1/4"	48	58	83	0.22	60.00	71974	12.48
50 - 2"	10	40	2 1/4"	60	70	83	0.22	40.00	71976	13.03



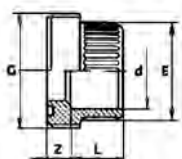
Adapter union Ocean PVC grey, white or black solvent socket, PN6

Product	G-kg	PU	Prod.No.	Price €
Adapter union Ocean PVC grey solvent socket d/male thread d50-1 1/2" BSP EPDM	0.13	75.00	170396	5.89
Adapter union Ocean PVC white solvent socket d/male thread d50-1 1/2" BSP EPDM	0.13	75.00	170380	7.38
Adapter union Ocean PVC black solvent socket d/male thread d50-1 1/2" BSP EPDM	0.19	75.00	170355	5.89
Adapter union Ocean PVC grey solvent socket d/male thread d63-2" BSP EPDM	0.23	40.00	170402	7.49
Adapter union Ocean PVC white solvent socket d/male thread d63-2" BSP EPDM	0.23	40.00	170386	8.86
Adapter union Ocean PVC grey solvent socket d/male thread d90-3" BSP EPDM with add. O-ring	1.11	10.00	170085	35.12
Adapter union extra long PVC white solvent socket d/male thread 90 - 3" EPDM	1.76	5.00	170185	79.04



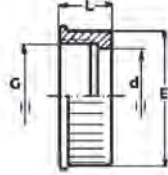
IBG® union end for unions, spare part union

d	PN	DN	L	Z	D	E	G-kg	PU	Prod.No.	Price €
16	16	10	17	5	22	24	0.01	50.00	71142	1.09
20	16	15	19	5	27,5	30,1	0.01	280.00	70560	0.74
25	16	20	22	6	36	38,8	0.01	200.00	70561	0.78
32	16	25	25	6	41,5	44,7	0.02	300.00	70562	1.00
40	16	32	29	7	53	56,5	0.04	250.00	70563	1.54
50	16	40	34	7	59	62,6	0.04	250.00	70564	2.08
63	16	50	41	8	74	78,4	0.07	100.00	70565	3.29
75	16	65	44	9	92,5	97,2	0.17	25.00	71117	7.15
90	16	80	51	10	105	110	0.23	5.00	71118	10.51
110	10	100	61	12	129	134,4	0.32	5.00	71119	17.20



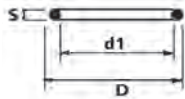
IBG® union bush for unions

d	PN	DN	G	L	Z	E	G-kg	PU	Prod.No.	Price €
16	16	10	3/4	14	10	22	0.02	50.00	71120	1.82
20	16	15	1	16	15	26	0.01	100.00	71121	1.03
25	16	20	1 1/4	19	20	33,3	0.02	50.00	71122	1.21
32	16	25	1 1/2	22	25	41,5	0.03	80.00	70991	1.37
40	16	32	2	28	32	51	0.05	20.00	71123	1.54
50	16	40	2 1/4	33	40	61	0.06	45.00	71124	1.82
63	16	50	2 3/4	42	50	76,5	0.13	35.00	71125	3.42
75	10	65	3 1/2	44	31	96	0.22	10.00	71126	18.45
90	10	80	4	51	35	109	0.39	10.00	71127	23.47
110	10	100	5	61	41	133	0.61	10.00	71128	24.34



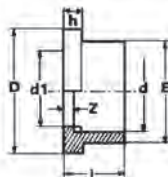
IBG® union nut for unions

d	PN	DN	d	L	E	G-kg	PU	Prod.No.	Price €
3/4"-16	16	10	22,1	21	35	0.02	200.00	70462	1.34
1"-20	16	15	27,6	23	43	0.02	150.00	70566	1.41
1 1/4"-25	16	20	36,1	25	53	0.03	100.00	70567	1.66
1 1/2"-32	16	25	41,6	27	60	0.04	120.00	70568	2.08
2"-40	16	32	53,1	30	74	0.06	75.00	70569	2.71
2 1/4"-50	16	40	59,1	32	83	0.08	60.00	70570	3.16
2 3/4"-63	16	50	74,1	37,5	103	0.15	50.00	70571	4.65
3 1/2"-75	16	65	90	43	120	0.20	25.00	71129	17.20
4"-90	16	80	108	45	135	0.36	6.00	71130	24.76
5"-110	10	100	130	51	160	0.39	2.00	71131	28.95



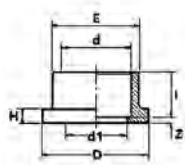
IBG® O-ring for union bushes, EPDM

d	DN	D	d1	S	G-kg	PU	Prod.No.	Price €
16	10	20,84	15,6	2,62	0.01	100.00	71428	0.54
20	15	27,36	20,3	3,53	0.01	100.00	50484	0.54
25	20	35,26	28,2	3,53	0.01	1.00	50008	0.00
32	25	40,06	33	3,53	0.01	1.00	50009	2.49
40	32	51,36	40,7	5,34	0.01	100.00	50487	0.74
50	40	57,76	47,1	5,34	0.01	100.00	50216	3.97
63	50	70,46	59,8	5,34	0.01	100.00	50272	6.48
75	65	86,23	75,57	5,33	0.01	1.00	50298a	6.43
90	80	98,93	88,27	5,33	0.01	50.00	71432	2.52
110	100	124,33	113,67	5,33	0.01	50.00	71433	3.01



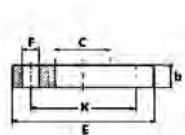
IBG® flange adapter grooved

d	PN	DN	I	Z	d1	h	E	D	G-kg	PU	Prod.No.	Price €
63	16	50	41	3	57	9	76	90	0.10	60.00	71098	6.31
75	16	65	47	3	69	10	90	106	0.16	60.00	70148	7.57
90	10	80	56	5	82	11	108	125	0.27	50.00	71099	15.11
110	10	100	66	5	102	12	131	150	0.43	30.00	71100	19.31
125	10	110	72	5	120	18	147	170	0.64	10.00	70633	28.52
140	10	125	80	5	132	14	165	188	0.77	15.00	71101	28.95
160	10	150	91	5	152	16	188	213	1.11	12.00	71102	35.26
200	10	175	112	6	193	18	228	248	1.15	3.00	70637	71.67
225	10	200	119	6	217	25	248	274	1.97	4.00	71103	77.99



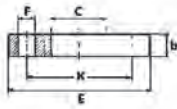
IBG® flange adapter flat

d	PN	DN	I	Z	d1	h	E	D	G-kg	PU	Prod.No.	Price €
16	16	10	17	3	13	6	22	29	0.01	100.00	70150	1.66
20	16	15	19	3	16	6	27	34	0.01	100.00	70151	1.71
25	16	20	22	3	21	7	33	41	0.02	80.00	70152	1.75
32	16	25	25	3	28	7	41	50	0.02	100.00	70153	1.95
40	16	32	29	3	36	8	50	61	0.04	100.00	70154	2.93
50	16	40	34	3	45	8	61	73	0.06	150.00	70155	3.04
63	16	50	41	3	57	9	76	90	0.10	100.00	70137	5.48
75	16	65	47	3	69	10	90	106	0.16	40.00	70156	6.75
90	16	80	56	5	82	11	113	125	0.27	50.00	70157	14.24
110	16	100	66	5	102	12	128	150	0.43	20.00	70172	18.45
140	16	125	81	5	132	14	165	188	0.76	16.00	70173	27.26
160	16	150	91	5	152	16	188	213	1.12	12.00	70174	32.28
200	10	x	x	x	x	x	x	x	1.15	3.00	70637	71.67
225	10	200	119	6	217	25	248	274	2.32	4.00	70175	75.02
250	10	250	130	8,5	238	25	282	328	2.50	2.00	71399	120.26
280	10	250	145	9	x	27	306	327	3.26	2.00	70176	132.42
315	10	300	164	8,5	x	30	342	378	4.14	1.00	70177	109.80
355	10	315	184	8	x	29,5	386	413	5.93	1.00	71104	180.20
400	6	370	206	12	x	26	432	483	8.95	1.00	71105	196.97
450	4	x	100	4,5	x	21	486	537	5.40	1.00	71106	314.28
500	4	x	153	8	x	24	532	574	7.40	1.00	70505	339.43



IBG® flange adapter connection dimensions DIN/ISO, PVC-U

d	PN	DN	b	C	E	K	F	AL	G-kg	PU	Prod.No.	Price €
16	10	10	10	23	90	60	14	4	0.06	50.00	70139	5.12
20	10	15	11	28	95	65	14	4	0.08	50.00	70140	5.07
25	10	20	12	34	105	75	14	4	0.09	40.00	70141	5.89
32	10	25	14	42	115	85	14	4	0.12	45.00	70142	6.31
40	10	32	15	51	140	100	18	4	0.20	30.00	70143	7.15
50	10	40	16	62	150	110	18	4	0.24	30.00	70144	8.39
63	10	50	18	78	165	125	18	4	0.36	30.00	70136	9.67
75	10	65	19	92	185	145	18	4	0.42	25.00	70145	12.58
90	10	80	20	110	200	160	18	8	0.47	20.00	70146	14.24
110	10	100	22	132	219	180	18	8	0.56	20.00	70166	18.87
125	10	110	26	149	235	190	18	8	0.71	15.00	70634	22.24
140	10	125	27	165	247	210	18	8	0.75	25.00	70167	24.76
160	10	150	28	190	280	240	21	8	1.08	14.00	70168	27.26
200	10	200	31	234	335	295	21	8	1.40	12.00	70638	45.72
225	10	200	31	250	341	295	22	8	1.31	8.00	70169	48.63
250	6	250	33	285	395	350	22	12	1.40	10.00	71108	100.58
280	6	250	32	307	399	350	22	12	1.79	1.00	70170	114.41
315	6	300	34	345	450	400	22	12	2.45	1.00	70171	135.37
355	6	350	34	388	511	460	22	12	3.43	1.00	71109	183.97
400	6	400	34	438	572	515	25	16	4.45	1.00	71110	199.47
450	4	x	32	488	614	565	25	20	5.40	1.00	71111	244.72
500	4	x	29	542	655	600	20	20	5.77	1.00	70611	275.73



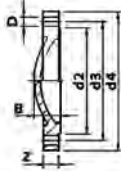
IBG® flange adapter connection dimensions DIN/ISO, GKF, black

d	PN	DN	b	C	E	K	F	AL	G-kg	PU	Prod.No.	Price €
25	16	20	12	34	105	75	14	4	0.10	5.00	70547	6.75
32	16	25	14	42	115	85	14	4	0.12	5.00	70548	7.15
40	16	32	15	51	140	100	18	4	0.19	5.00	70549	10.08
50	16	40	16	62	150	110	18	4	0.23	5.00	70550	12.17
63	16	50	17	78	165	125	18	4	0.36	5.00	70551	15.97
75	16	65	19	92	185	145	18	4	0.40	5.00	70552	18.87
90	16	80	20	110	200	160	18	8	0.49	5.00	70553	23.91
110	16	100	22	132	219	180	18	8	0.54	5.00	70554	28.95
125	16	110	26	149	235	190	18	8	0.22	1.00	70555	33.98
140	16	125	27	167	247	210	18	8	0.73	15.00	70556	39.02
160	16	150	28	190	280	240	21	8	1.04	14.00	70557	47.81
200	10	175	31	220	331	295	21	8	1.46	12.00	70558	72.51
225	10	200	31	250	341	295	22	8	1.26	5.00	70559	80.08



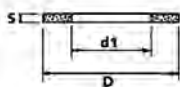
PRAHER PLASTICS PVC-u fix flange DIN-ANSI-JIS, PN10

Produkt	G-kg	PU	Prod.No.	Price €
Fix flange - turned - DN15 PVC grey solvent socket d20 DIN-ANSI-JIS PN16	0.09	1.00	142069	14.68
Fix flange - turned - DN20 PVC grey solvent socket d25 DIN-ANSI-JIS PN16	0.11	1.00	142070	15.02
Fix flange - turned - DN25 PVC grey solvent socket d32 DIN-ANSI-JIS PN16	0.18	1.00	142071	18.22
Fix flange - turned - DN32 PVC grey solvent socket d40 DIN-ANSI-JIS PN16	0.24	1.00	142072	24.89
Fix flange - turned - DN40 PVC grey solvent socket d50 DIN-ANSI-JIS PN16	0.33	1.00	142073	26.10
Fix flange - turned - DN50 PVC grey solvent socket d63 DIN-ANSI-JIS PN16	0.45	1.00	142074	31.84
Fix flange - turned - DN65 PVC grey solvent socket d75 DIN-ANSI-JIS PN16	0.65	1.00	142075	38.23
Fix flange - turned - DN80 PVC grey solvent socket d90 DIN-ANSI-JIS PN16	0.82	1.00	142076	42.65
Fix flange - turned - DN100 PVC grey solvent socket d110 DIN-ANSI-JIS PN16	0.96	1.00	142077	44.07



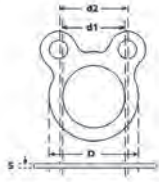
IBG® flange DIN/ISO, PN10

d	PN	DN	d2	d3	d4	Z	B	NxD	G-kg	PU	Prod.No.	Price €
16	10	10	60	29	90	10	13,5	4x14	0.07	10.00	73850	9.25
20	10	15	60,5/63	34	95	11	14,5	4x16	0.08	10.00	73851	9.25
25	10	20	70/73	41	105	12	16	4x16	0.10	10.00	73852	10.08
32	10	25	79/83	50	115	14	19	4x16	0.12	10.00	73853	11.78
40	10	32	91/100	61	140	15	20	4x18	0.23	5.00	73854	13.43
50	10	40	101/110	74	150	16	22	4x18	0.30	5.00	73855	14.69
63	10	50	120,5/125	91	165	18	24,5	4x18	0.40	5.00	73856	15.11
75	10	65	139,5/144	106	185	19	26,5	4x19	0.54	5.00	73857	20.17
90	10	80	152,5/159	125	200	20	30	8x19	0.71	5.00	73858	21.81
110	10	100	181/190,5	150	220	22	34,5	8x19	0.90	2.00	73859	25.17
125	10	110	190	166	235	26	38,5	8x18	1.17	2.00	73860	36.48
140	10	125	215	184	250	26	39	8x23	1.35	2.00	73861	37.32
160	10	150	240	209	285	28	43,5	8x24	1.83	2.00	73862	42.36
200	10	175	248	295	315	36	63	8x22	2.46	5.00	71093	67.07
225	10	200	273	295	340	36	63	8x22	2.89	1.00	71094	93.49
250	10	250	303	350	370	36	63	8x22	4.60	1.00	71095	133.28
280	10	250	328	350	395	36	65	12x22	3.79	1.00	71096	143.31
315	10	300	400	378	445	36	65	12x22	4.87	1.00	71097	157.57
355	10	315	460	430	505	38	67	16x22	6.92	1.00	72070	234.68
400	10	370	515	482	565	42	71	16x26	8.94	1.00	72071	249.73



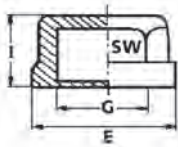
IBG® flat gasket for flange adapter, Dutral (EPDM)

d	DN	D	d1	S	G-kg	PU	Prod.No.	Price €
16	10	27	16	2	0.01	10.00	70158	0.29
20	15	32	20	2	0.01	50.00	70159	0.29
25	20	39	25	2	0.01	50.00	70160	0.32
32	25	48	32	2	0.01	50.00	70161	0.36
40	32	59	40	3	0.01	50.00	70162	0.51
50	40	71	50	3	0.01	50.00	70163	0.88
63	50	88	63	3	0.01	50.00	70138	1.09
75	65	104	75	3	0.02	20.00	70164	1.71
90	80	123	90	3	0.01	20.00	70165	1.84
110	100	148	110	4	0.05	20.00	70178	3.19
125	110	166	125	3	0.10	10.00	70635	3.35
140	125	186	140	4	0.05	10.00	70179	3.78
160	150	211	160	4	0.07	25.00	70180	5.07
200	175	245	200	3	0.06	10.00	70643	7.57
225	200	284	215,5	4	0.13	10.00	70181	8.85
250	250	328	250	3	0.19	1.00	71112	10.08
280	250	327	280	3	0.20	1.00	70182	10.94
315	300	378	315	3	0.23	1.00	70183	12.58
355	310	413	355	3	0.37	1.00	71113	27.26
400	370	483	400	3	0.30	1.00	71114	20.58
450	400	537	450	3	0.23	1.00	71115	66.23
500	×	574	500	3	0.01	1.00	70612	73.35



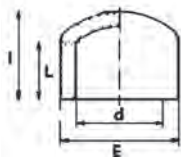
IBG® flat gasket for flange adapter, with 2 screw holes (EPDM)

d	DN	D	d1	d2	S	G-kg	PU	Prod.No.	Price €
63	50	90	63	92	3	0.03	10.00	72068	3.24
75	65	104	75	105	3	0.02	10.00	70267	3.51
90	80	123	90	115	3	0.02	10.00	70268	3.98
110	100	148	110	130	3	0.03	10.00	70269	5.07
125	110	166	125	135	3	0.05	10.00	70270	5.48
140	125	186	140	150	3	0.05	10.00	70271	6.75
160	150	211	160	170	3	0.01	10.00	70272	9.25
200	175	245	200	210	3	0.01	1.00	70273	12.17
225	200	268	220	210	3	0.07	1.00	70274	13.01
250	250	329	280	350	3	0.12	1.00	72110	22.65
280	250	327	280	x	3	0.00	1.00	72111	24.76
315	300	378	315	400	3	0.20	1.00	72112	27.26
400	370	483	400	515	3	0.19	1.00	72113	33.98



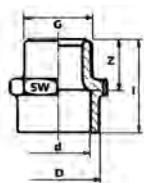
IBG® caps female thread, PN10, grey

G	PN	I	E	SW	G-kg	PU	Prod.No.	Price €
1/8"	10	14	20	17	0.01	100.00	72163	2.35
1/4"	10	16	26	22	0.01	100.00	72164	2.50
3/8"	10	19	31	27	0.01	100.00	71204	2.63
1/2"	10	21	37	32	0.02	100.00	70967	3.32
3/4"	10	24	43	36	0.02	150.00	70463	3.90
1"	10	26	52	46	0.04	90.00	71205	4.20
1 1/4"	10	29	62	55	0.06	80.00	71206	5.07
1 1/2"	10	31	66	60	0.07	50.00	71207	6.75
2"	10	36	82	75	0.12	25.00	71208	7.57



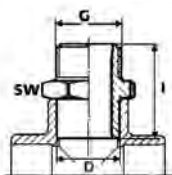
IBG® caps solvent socket, grey

d	PN	DN	L	I	E	G-kg	PU	Prod.No.	Price €
12	16	8	12	15	16,5	0.01	200.00	70860	0.92
16	16	10	14	20	23,5	0.01	200.00	70861	0.92
20	16	15	16	23	27	0.01	200.00	70862	0.92
25	16	20	19	30	33,3	0.02	200.00	70863	1.30
32	16	25	22	33,5	41	0.02	180.00	70864	1.41
40	16	32	26	40	49,5	0.04	150.00	70865	1.84
50	16	40	31	46,5	60,4	0.06	150.00	70866	2.57
63	16	50	38	56	75,7	0.12	80.00	70867	3.68
75	16	65	44	66	89,6	0.18	50.00	70868	6.31
90	16	80	51	77,2	107,6	0.31	50.00	70869	8.39
110	16	100	61	93	130	0.54	30.00	70870	14.24
125	10	110	69	112	151	0.80	15.00	71400	32.28
140	10	125	76	121	161	1.38	15.00	70871	47.81
160	10	150	86	136	185	1.81	8.00	70872	63.73
200	10	175	55	x	x	1.20	5.00	71392	106.48
225	10	200	60	x	x	3.36	1.00	71393	189.85
250	10	250	60	x	x	2.50	1.00	71394	208.69
280	10	250	60	x	x	2.70	1.00	71395	325.18
315	10	300	65	x	x	3.60	1.00	71396	330.63
400	4	370	70	x	x	5.70	1.00	71397	509.11



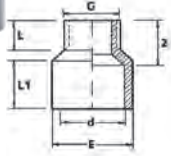
IBG® adapter bush, solvent socket / male thread, PN16, grey

d/D-G	PN	DN	I	Z	SW	G-kg	PU	Prod.No.	Price €
12/16 - 1/4"	16	8	34,5	11,5	28	0.01	300.00	72187	1.25
12/16 - 3/8"	16	8	34,5	11,5	28	0.01	100.00	71290	1.25
16 - 3/8"	16	10	34,5	11,5	28	0.01	100.00	70853	1.34
16/20 - 3/8"	16	10	40,2	22	32	0.01	200.00	71291	1.41
16/20 - 1/2"	16	10	40,2	22	32	0.02	180.00	71292	1.41
20 - 1/2"	16	15	40,2	27	32	0.02	150.00	70854	1.54
20/25 - 1/2"	16	15	48	29	36	0.02	150.00	70963	1.66
25/32 - 3/4"	16	20	44	28	36	0.02	250.00	70964	1.75
25/32 - 1"	16	20	48	29,5	36	0.02	230.00	70856	1.75
32/40 - 1"	16	25	50,4	33	46	0.04	250.00	70582	2.26
32/40 - 1 1/4"	16	25	53,4	30,3	46	0.04	200.00	71293	2.26
40/50 - 1 1/4"	16	32	57	35	55	0.06	120.00	70857	2.87
40/50 - 1 1/2"	16	32	60	33,6	55	0.06	120.00	71294	2.88
50 - 1 1/4"	16	40	65	34	65	0.09	100.00	71295	2.97
50 - 1 1/2"	16	40	65	34	65	0.09	120.00	70508	2.97
50 - 2"	16	40	65	34	65	0.10	50.00	71296	2.97
50/63 - 1 1/2"	16	40	65	34	65	0.10	120.00	71297	4.13
50/63 - 2"	16	40	78	43	80	0.15	50.00	71298	4.13
63/75 - 1 1/4"	16	50	84	43	x1)	0.20	100.00	71299	7.57
63/75 - 1 1/2"	16	50	84	43	x1)	0.13	90.00	71300	7.57
63/75 - 2"	16	50	84	43	x1)	0.15	90.00	70509	7.57
63/75 - 2 1/2"	16	50	84	41,5	x1)	0.16	80.00	71302	7.57
63/75 - 2"	16	50	75,5	42	80	0.15	100.00	71301	7.57
75/90 - 2"	16	65	96	51,5	95	0.31	48.00	71303	10.94
75/90 - 2 1/2"	16	65	100	56	95	0.34	24.00	71304	10.94
75/90 - 3"	16	65	104	60	95	0.37	45.00	71305	10.94
90/110 - 2 1/2"	16	80	110	59	115	0.57	27.00	71306	24.34
90/110 - 3"	16	80	115	61,5	115	0.59	21.00	71307	24.34
90/110 - 4"	16	80	122	71	115	0.60	5.00	71308	24.34
110 - 3"	16	100	106	45	133	0.81	5.00	71309	26.85
110 - 4"	16	100	125	64	138	0.80	5.00	71310	26.85



IBG® adapter bush, NPT, PN16, grey

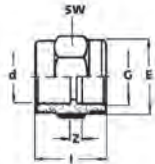
d/D-G	PN	DN	I	Z	SW	G-kg	PU	Prod.No.	Price €
50 - 1 1/2"	16	40	65	34	65	0.09	170.00	71311	2.97
50 - 2"	16	40	65	34	65	0.01	1.00	70312	13.48
63 - 2"	16	40	65	34	65	0.14	50.00	71289	4.18



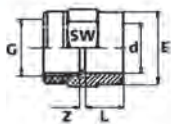
IBG® adapter bush, solvent socket / male thread, grey

Produkt	OPR (bar)	DN	L	L1	Z	E	G-kg	PU	Prod.No.	Price €
75 - 1 1/2"	10	65	21	44	57	82	0.15	10.00	71376	10.08
75 - 2"	16	65	23	44	59	83	0.18	10.00	71377	10.08
75 - 2 1/2"	16	65	28	44	43	85	0.20	10.00	71378	10.51
90 - 2"	16	65	23	44	59	83	0.25	10.00	71379	17.20
90 - 2 1/2"	16	65	28	44	43	85	0.27	10.00	71380	17.20
90 - 3"	16	65	23	44	59	83	0.35	10.00	71381	18.87
110 - 3"	16	65	28	44	43	85	0.51	6.00	71382	26.42
110 - 4"	16	65	23	44	59	83	0.56	6.00	72180	28.09
160 - 6"	16	65	28	44	43	85	1.43	8.00	71389	88.01

IBG® adapter socket, solvent socket – female thread, reinforced, grey

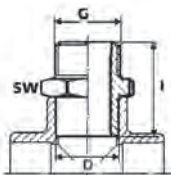


d-G	PN	DN	I	Z	SW	E	G-kg	PU	Prod.No.	Price €
16- 3/8"	16	10	31	5	27	25	0.02	100.00	70836	3.24
20- 1/2"	16	15	32	5	30	29	0.02	150.00	70837	3.90
25- 3/4"	16	20	40	5	40	35	0.04	140.00	70838	4.65
32-1"	16	25	46,1	5	46	45	0.06	150.00	70839	5.48
40-1 1/4"	16	32	52,4	5	54	52	0.08	120.00	70840	6.75
50-1 1/2"	16	40	59,4	7	65	64	0.13	110.00	70841	8.85
63-2"	16	50	71	7	80	76	0.21	90.00	70842	11.78
75-2 1/2"	10	65	80	3	94	90	0.33	40.00	70843	27.26
90-3"	10	80	90	3	114	110	0.53	24.00	70844	31.86
110-4"	10	100	106	5	137	130	0.81	15.00	70845	47.36



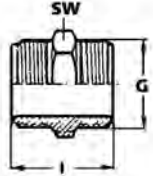
IBG® adapter socket, solvent socket – female thread, PN10, grey

d-G	PN	DN	L	Z	SW	E	G-kg	PU	Prod.No.	Price €
10 - 1/4"	10	6	11,5	4	22	15	0.04	150.00	72185	3.16
12 - 1/4"	10	8	11,5	4	22	17	0.04	100.00	72186	3.16
32 - 1"	10	25	22	5	46	42	0.05	60.00	71236	3.57
40 - 1 1/4"	10	32	26	5	55	52	0.07	50.00	71237	3.68
50 - 1 1/2"	10	40	31	7	65	62	0.11	100.00	71238	5.48
63 - 2"	10	50	38	7	80	78	0.19	90.00	71239	7.15



IBG® adapter nipple, solvent spigot – male thread, PN16, grey

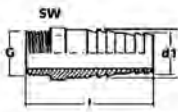
D-G	PN	DN	I	SW	G-kg	PU	Prod.No.	Price €
16 - 3/8"	16	10	35	27	0.01	200.00	70846	1.16
20 - 1/2"	16	15	42	32	0.02	180.00	70847	1.16
25 - 3/4"	16	20	47	36	0.03	100.00	70848	1.66
32 - 3/4"	16	25	54	46	0.04	100.00	71283	1.41
32 - 1"	16	25	54	46	0.04	150.00	70849	1.41
40 - 1"	16	32	60	55	0.06	100.00	71284	1.90
40 - 1 1/4"	16	32	60	55	0.06	100.00	70850	1.90
50 - 1 1/4"	16	40	66	65	0.09	80.00	71285	2.76
50 - 1 1/2"	16	40	66	65	0.09	90.00	70851	2.76
63 - 1 1/4"	16	50	78	80	0.14	35.00	71286	3.64
63 - 1 1/2"	16	50	78	80	0.14	50.00	71287	3.64
63 - 2"	16	50	78	80	0.16	45.00	70852	3.64



IBG® double nipple, male thread, PN10, grey

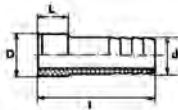
G	PN	DN	I	SW	G-kg	PU	Prod.No.	Price €
1/4"	10	6	32	19	0.01	100.00	72162	1.41
3/8"	10	10	34	22	0.01	100.00	71193	1.50
1/2"	10	15	42	24	0.01	100.00	70966	1.58
3/4"	10	20	47	30	0.02	100.00	70930	1.75
1"	10	25	53	36	0.03	100.00	71194	2.23
1 1/4"	10	32	56	46	0.07	100.00	71195	2.71
1 1/2"	10	40	57	55	0.07	100.00	71196	3.90
2"	10	50	68	65	0.11	100.00	71197	5.07
3/8"- 1/4"	10	x	36	24	0.01	50.00	71198	1.82
1/2"	10	x	39	27	0.01	50.00	71199	1.84
3/4"	10	x	46	32	0.02	50.00	70965	2.14
1"- 3/4"	10	x	49	36	0.03	50.00	71200	2.46
1 1/4"- 1"	10	x	53	46	0.05	25.00	71201	3.10
1 1/2"- 1 1/4"	10	x	57	55	0.07	25.00	71202	4.65
2"- 1 1/2"	10	x	62	65	0.10	25.00	71203	5.89

IBG® hose nozzle, spigot – male thread, PN10, grey

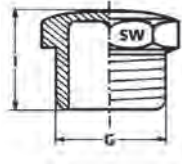


d-d1-G	PN	DN	I	SW	G-kg	PU	Prod.No.	Price €
14-12- 1/4"	10	8	53	15	0.01	100.00	71146	1.66
18-16- 3/8"	10	12	58	19	0.01	100.00	71147	1.71
22-20- 1/2"	10	15	76	24	0.02	100.00	71148	2.08
28-25- 3/4"	10	20	78	30	0.04	100.00	70931	2.57
34-31-1"	10	25	90	35	0.05	100.00	71150	3.19
43-40-1 1/4"	10	32	96	46	0.09	100.00	71151	3.90
53-50-1 1/2"	10	40	115	55	0.14	100.00	71152	5.48
66-60-2"	10	50	132	70	0.24	50.00	71153	7.57

IBG® hose nozzle, spigot – male thread, PN16, grey

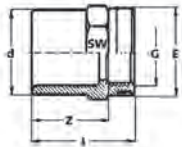


D-d	PN	DN	L	I	G-kg	PU	Prod.No.	Price €
10-8	16	6	12	51	0.20	100.00	71062	1.37
12-12	16	8	12	51	0.01	200.00	71063	1.41
16-16	16	10	14	57,2	0.01	200.00	70971	1.46
20-20	16	15	16	73	0.01	180.00	70972	1.62
25-25	16	20	19	79	0.02	140.00	70973	2.08
32-30	16	25	22	89	0.04	120.00	70974	2.46
40-40	16	32	26	91	0.06	120.00	70975	3.19
50-50	16	40	31	105	0.10	70.00	70976	4.20
63-60	16	50	38	116	0.14	50.00	70977	5.48



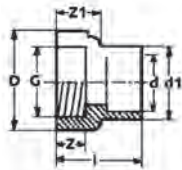
IBG® plug, with cone shaped male thread, PN10, grey

G	PN	I	SW	G-kg	PU	Prod.No.	Price €
1/4"	10	18	17	0.01	100.00	72600	1.50
3/8"	10	21	27	0.01	100.00	71209	1.54
1/2"	10	27	24	0.01	100.00	70465	1.54
3/4"	10	29	30	0.06	100.00	70464	1.82
1"	10	32	36	0.02	100.00	71210	2.38
1 1/4"	10	36	46	0.07	100.00	71211	3.19
1 1/2"	10	37	55	0.05	100.00	71212	4.13
2"	10	42	65	0.11	100.00	71213	5.07
2 1/2"	10	41	94	0.24	10.00	72165	8.85
3"	10	43	114	0.36	10.00	72166	13.43
4"	10	46	138	0.59	10.00	72167	23.91



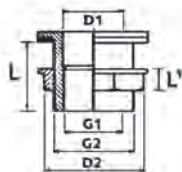
IBG® reducing bush, solvent socket / female thread, reinforced, PN16, grey

d-G	PN	DN	I	Z	SW	E	G-kg	PU	Prod.No.	Price €
20- 3/8"	16	15	35	24	27	25	0.02	200.00	71143	3.31
25- 1/2"	16	20	43	27	32	20	0.03	130.00	70886	3.77
32- 3/4"	16	25	48	32	36	35	0.05	150.00	70885	4.65
40-1"	16	32	56	38	46	45	0.06	100.00	70884	6.31
50-1 1/4"	16	40	66	46	55	55	0.11	50.00	71144	8.39
63-1 1/2"	16	50	77	55	65	65	0.18	40.00	71145	11.35



IBG® adapter, solvent socket/solvent spigot - female thread, reinforced, PN10, grey

d1-d-G	PN	DN	Z	Z1	I	D	G-kg	PU	Prod.No.	Price €
16/12 - 3/8"	10	10 - 8	12	15,5	33	24	0.02	50.00	71250	4.65
20/16 - 1/2"	10	15 - 10	15	20	34	28	0.02	100.00	71251	6.31
25/20 - 3/4"	10	20 - 15	16,3	21,9	38	34,6	0.03	100.00	71252	7.15
32/25 - 1"	10	25 - 20	19,1	26,4	45,5	44	0.10	50.00	71253	8.85
40/32 - 1 1/4"	10	32 - 25	21,4	31,4	54	55	0.08	40.00	71254	12.17
50/40 - 1 1/2"	10	40 - 32	21,4	32,2	59,5	63	0.12	30.00	71255	16.38
63/50 - 2"	10	50 - 40	25,7	39,2	71,5	77,5	0.50	30.00	70035	22.24



IBG® tank adapter, male-/female thread, ring - CSM, grey

D1	G1	L	G2	L1	D2	G-kg	PU	Prod.No.	Price €
16	3/8"	35	3/4"	13	32	0.03	50.00	71155	24.76
20	1/2"	36	1"	15	41	0.07	50.00	71156	26.85
20	3/4"	36	1"	15	41	0.10	50.00	71157	26.85
25	1"	50	1 1/4"	18	55	0.14	50.00	70920	28.95
40	1 1/2"	64	2"	20	80	0.27	25.00	71158	54.07
63	2"	68	2 3/4"	23	100	0.25	5.00	71164	46.95



IBG® tank adapter, male-/female thread, ring - Viton, grey

D1	G1	L	G2	L1	D2	G-kg	PU	Prod.No.	Price €
16	3/8"	35	3/4"	13	32	0.03	5.00	71160	31.46
20	1/2"	36	1"	15	41	0.06	5.00	71161	32.71
20	3/4"	36	1"	15	41	0.10	5.00	71162	32.71
25	1"	50	1 1/4"	18	55	0.11	5.00	71163	38.15
40	1 1/2"	64	2"	20	80	0.25	5.00	71164	46.95
63	2"	68	2 3/4"	23	100	0.43	5.00	71165	128.14



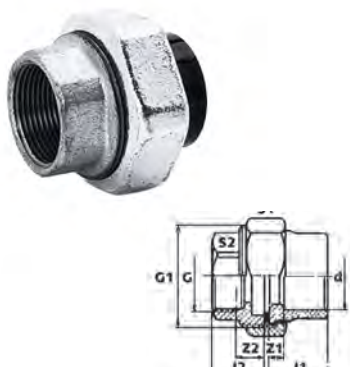
IBG® tank adapter solvent socket/solvent spigot - BSP male thread sealing rings EPDM and polyamide, grea

d	d2	d3	Z1	C	D	G-kg	PU	Prod.No.	Price €
20	25	3/4"	13	19	42	0.04	50.00	73413	13.01
25	32	1"	15	22	45	0.07	50.00	73414	13.85
32	40	1 1/4"	17	26	47	0.12	50.00	73415	15.54
40	50	1 3/4"	19	31	48	0.21	50.00	73416	18.45
50	63	2"	21	38	52	0.26	45.00	73417	20.98
50	63	2 1/4"	21	38	52	0.34	45.00	73418	20.98
63	75	2 1/2"	23	44	53	0.38	24.00	73419	29.28
75	90	3"	36	51	56	0.58	21.00	73420	51.57
90	110	M113	32	61	62	1.14	10.00	73421	67.91
110	125	M133	36	69	66	1.55	10.00	73422	82.99



IBG® tank adapter solvent socket - BSP male/female thread, sealing rings EPDM and polyamide, grey

d1	d2	d3	Z1	C	D	G-kg	PU	Prod.No.	Price €
20	3/4"	3/4"	13	17	42	0.05	10.00	73404	13.43
25	1"	1"	15	21	45	0.07	10.00	73405	14.69
32	1 1/4"	1 1/4"	17	23	47	0.13	10.00	73406	15.97
40	1 1/2"	1 3/4"	19	23	48	0.20	10.00	73407	19.31
50	2"	2 1/4"	21	27	52	0.31	10.00	73409	21.81
63	2 1/2"	2 1/2"	23	31	53	0.38	10.00	73410	43.18
75	3"	3"	36	34	56	0.56	10.00	73411	52.82
90	4"	M113	32	40	62	1.03	10.00	73412	70.84



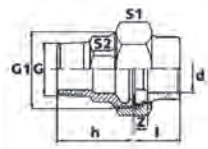
IBG® adapter union, PVC/GTW galvanized, solvent socket - female thread, PN16

d-G	PN	DN	G1	I1	I2	Z2	S1	S2	G-kg	PU	Prod.No.	Price €
20 - 1/2"	16	15	1"	19	20	5	37	27	0.09	40.00	71167	8.39
25 - 3/4"	16	20	1 1/4"	22	25	6	46	32	0.23	10.00	71168	9.25
32 - 1"	16	25	1 1/2"	25	28	6	52	38	0.30	10.00	71169	10.51
40 - 1 1/4"	16	32	2"	29	31	7	64	47	0.53	10.00	71170	13.85
50 - 1 1/2"	16	40	2 1/4"	34	34	7	72	53	0.54	10.00	71171	18.87
63 - 2"	16	50	2 3/4"	41	38	8	89	65	0.87	10.00	71172	28.52



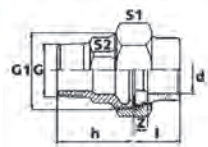
NOTE

Adapter unions V2A female or male thread with union ends available on demand



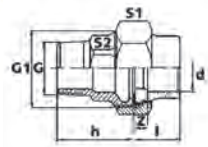
IBG® adapter union, PVC/GTW galvanized, solvent socket – male thread, PN16

Produkt	PN	DN	G1	h	L	z	S1	S2	G-kg	PU	Prod.No.	Price €
20 - 1/2"	16	15	1"	40	19	5	37	23	0.15	10.00	71174	9.67
25 - 3/4"	16	20	1 1/4"	40	22	6	46	27	0.29	10.00	71175	11.35
32 - 1"	16	25	1 1/2"	50	25	6	52	38	0.33	10.00	71176	13.01
40 - 1 1/4"	16	32	2"	50	29	7	64	44	0.66	10.00	71177	22.65
50 - 1 1/2"	16	40	2 1/4"	65	34	7	72	53	0.72	10.00	71178	23.91
63 - 2"	16	50	2 3/4"	61	41	8	89	62	1.19	10.00	71179	34.41



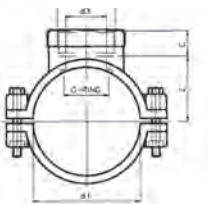
IBG® adapter union, PVC/gun metal (rg5), solvent socket – male thread, PN16

d-G	PN	DN	G1	h	l	z	S1	S2	G-kg	PU	Prod.No.	Price €
16 - 3/8"	16	10	3/4"	22	17	5	30	28	0.11	10.00	71187	11.35
20 - 1/2"	16	15	1"	25	19	5	37	38	0.13	40.00	71188	13.01
25 - 3/4"	16	20	1 1/4"	27	22	6	46	44	0.20	25.00	71189	16.38
32 - 1"	16	25	1 1/2"	54	25	6	52	53	0.31	10.00	71190	25.57
40 - 1 1/4"	16	32	2"	54	29	7	64	62	0.50	10.00	71191	37.73
50 - 1 1/2"	16	40	2 1/4"	62	34	7	72	80	0.64	10.00	70990	42.75
63 - 2"	16	50	2 3/4"	69	41	8	89	61	1.07	10.00	71192	63.30



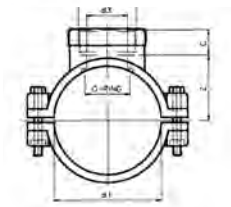
IBG® adapter union, PVC/gun metal (rg5), solvent socket – female thread

d-G	PN	DN	G1	I1	I2	Z1	Z2	S1	S2	G-kg	PU	Prod. No.	Price €
16 - 3/8"	16	10	3/4"	17	22	5	7	30	22	0.01	40.00	71180	8.85
20 - 1/2"	16	15	1"	19	22	5	7	37	26	0.15	40.00	71181	13.01
25 - 3/4"	16	20	1 1/4"	22	27	6	8	46	30	0.18	25.00	71182	16.38
32 - 1"	16	25	1 1/2"	25	29,5	6	9	52	40	0.25	18.00	71183	26.85
40 - 1 1/4"	16	32	2"	29	33	7	9	64	50	0.41	10.00	71184	38.58
50 - 1 1/2"	16	40	2 1/4"	34	36	7	10	72	53	0.53	18.00	71185	45.28
63 - 2"	16	52	2 3/4"	41	42	8	10	89	65	0.83	12.00	71186	67.07



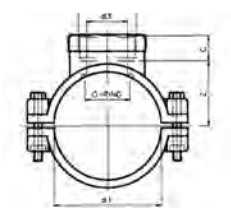
IBG® clamp saddle type A, pipe female thread with stainless steel ring

d1-d2	d3	Z	C	D	E	G-kg	PU	Prod.No.	Price €
20 - 1/2"	10	16	18	2	2	0.11	100.00	73423	4.12
25 - 1/2"	12	19	18	2	2	0.12	100.00	73424	4.50
32 - 1/2"	14	23	18	2	2	0.15	100.00	73425	4.85
32 - 3/4"	18	23	19	2	2	0.16	100.00	73426	4.85
32 - 1"	23	23	22	2	2	0.17	100.00	73427	4.85
40 - 1/2"	14	27	18	4	4	0.22	80.00	73428	5.59
40 - 3/4"	18	27	19	4	4	0.22	80.00	73429	5.59
40 - 1"	23	27	22	4	4	0.23	80.00	73430	5.59
50 - 1/2"	14	32	18	4	4	0.25	60.00	73431	5.98
50 - 3/4"	18	32	19	4	4	0.25	60.00	73432	5.98
50 - 1"	23	32	22	4	4	0.26	60.00	73433	5.98
50 - 1 1/4"	26	32	24	4	4	0.28	60.00	73434	5.98



IBG® clamp saddle type B, pipe female thread with stainless steel ring

d1-d2	d3	Z	C	D	E	G-kg	PU	Prod.No.	Price €
63 - 1/2"	14	39	18	4	4	0.29	40.00	71950	7.09
63 - 3/4"	18	39	19	4	4	0.30	40.00	73436	7.09
63 - 1"	23	39	22	4	4	0.30	40.00	73437	7.09
63 - 1 1/4"	26	39	24	4	4	0.33	30.00	73438	7.09
63 - 1 1/2"	33	39	24	4	4	0.33	30.00	73439	7.09
75 - 1/2"	14	46	18	6	4	0.41	25.00	73440	8.20
75 - 3/4"	18	46	19	6	4	0.42	25.00	73441	8.20
75 - 1"	23	46	22	6	4	0.42	25.00	73442	8.20
75 - 1 1/4"	26	46	24	6	4	0.44	25.00	73443	8.20
75 - 1 1/2"	33	46	24	6	4	0.45	25.00	73444	8.20
90 - 1/2"	14	53	18	6	4	0.46	25.00	73445	9.70
90 - 3/4"	18	53	19	6	4	0.46	25.00	73447	9.70
90 - 1"	23	53	22	6	4	0.47	25.00	73448	9.70
90 - 1 1/4"	26	53	24	6	4	0.48	25.00	73449	9.70
90 - 1 1/2"	33	53	28	6	4	0.49	25.00	70915	9.70
90 - 2"	42	53	22	6	4	0.52	25.00	73451	9.70
110 - 1"	23	64	22	6	4	0.58	20.00	73452	13.05
110 - 1 1/4"	26	64	24	6	4	0.59	20.00	73453	13.05
110 - 1 1/2"	33	64	24	6	4	0.60	20.00	73454	13.05
110 - 2"	42	64	28	6	4	0.63	20.00	73455	13.05
110 - 2 1/2"	60	64	33	6	4	0.67	20.00	73456	13.05
125 - 1"	23	71	22	6	4	0.64	15.00	73457	17.14
125 - 1 1/4"	26	71	24	6	4	0.65	15.00	73458	17.14
125 - 1 1/2"	33	71	24	6	4	0.66	15.00	73459	17.14
125 - 2"	42	71	28	6	4	0.70	15.00	73460	17.14
125 - 2 1/2"	60	71	33	6	4	0.72	15.00	73461	17.14



IBG® clamp saddle type C, pipe female thread with stainless steel ring

d1-d2	d3	Z	C	D	E	B-kg	VE	Prod.No.	Price €
140 - 1 1/4"	26	80	24	6	6	0.87	10.00	75826	21.99
140 - 1 1/2"	35	80	26	6	6	1.00	1.00	73462	31.80
140 - 2"	42	80	28	6	6	0.91	10.00	73463	21.99
140 - 2 1/2"	60	80	33	6	6	0.94	10.00	73464	21.99
160 - 1"	23	90	33	6	6	1.00	10.00	73465	31.64
160 - 1 1/4"	26	90	24	6	6	1.01	10.00	73466	31.64
160 - 1 1/2"	33	90	24	6	6	1.01	10.00	73467	31.64
160 - 2"	42	90	28	6	6	1.03	10.00	73468	31.64
160 - 2 1/2"	60	94	33	6	6	1.07	10.00	73469	31.64
160 - 3"	76	94	36	6	6	1.16	10.00	73470	31.64



Tangit® PVC-U special adhesive

Product	G-kg	PU	Prod.No.	Price €
125 g	0.17	12.00	20012	8.37
250 g	0.30	12.00	20200	14.00
500 g	0.57	12.00	20208	22.50
1000 g	0.95	12.00	20207	37.80
250 g	0.30	12.00	20018	12.72
500 g	0.57	12.00	20019	20.65
1000 g	0.95	6.00	20009	35.20



Griffon® XT 100 with brush (only use for PVCu pipes)

Product	G-kg	PU	Prod.No.	Price €
250 ml	0.27	24.00	20237	13.20
500 ml	0.54	12.00	20238	19.85
1000 ml	1.04	8.00	20239	33.35
5000 ml	4.55	1.00	20241	166.54



Griffon® WDF-05 (for PVC flex hose)

with brush, also suitable for pipes

Product	G-kg	PU	Prod.No.	Price €
Solvent Cement GRIFFON WDF-05 150ml, with brush	0.12	10.00	20233	8.05
Solvent Cement GRIFFON WDF-05 250ml, with brush	0.25	24.00	20224	11.60
Solvent Cement GRIFFON WDF-05 500ml, with brush	0.50	12.00	20223	20.65



Tangit® PVC-U/C ABS cleaner

Product	G-kg	PU	Prod.No.	Price €
125 ml	0.15	20.00	20017	7.30
1000 ml	1.13	12.00	20010	23.50



Griffon® PVC, PVC-C & ABS cleaner

Product	G-kg	PU	Prod.No.	Price €
Reiniger GRIFFON 125ml	0.13	20.00	20041	6.96
Reiniger GRIFFON 250ml	0.25	12.00	20077	9.95
Reiniger GRIFFON 500ml	0.49	12.00	20206	14.00
Reiniger GRIFFON 1000ml	0.95	6.00	20031	22.10



Griffon® cable saw for pipes

Product	G-kg	PU	Prod.No.	Price €
Cable saw for pipes	0.03	6.00	78557	18.15



Rems pipe cutter

Product	G-kg	PU	Prod.No.	Price €
Pipe Cutter P 10 - 63 wall thickness s = 7 mm	0.68	1.00	74250	256.86
Pipe Cutter 50 - 110 wall thickness s = 11 mm	1.30	1.00	74251	447.12
Pipe Cutter P 110 - 160 Wall thickness s = 16 mm	1.74	1.00	74252	454.75



Griffon® pipe deburrer

Product	G-kg	PU	Prod.No.	Price €
Pipe deburrer blue	0.80	6.00	74254	211.39



Griffon® cleaning tissues 100 pcs

Product	G-kg	PU	Prod.No.	Price €
Cleaning Tissue for cleaning of all surfaces and hands 100 pcs	0.62	6.00	78560	31.03



Teflon strip

Product	G-kg	PU	Prod.No.	Price €
Teflon tape 12 x 0,075 x 12 mm	0.01	1.00	71940	1.20



Griffon® Aquamax – water resistant, solvent free adhesive

Product	G-kg	PU	Prod.No.	Price €
Aqua Max, water-resistant, solvent-free assembly adhesive and sealant based on SMP-Polymer, Cartridge 425 g, white	0.50	12.00	78582	19.56
Aqua Max, water-resistant, solvent-free assembly adhesive and sealant based on SMP-Polymer, Cartridge 425 g, grey	0.50	12.00	740134	22.49



Griffon® solvent cement UNI-100

Product	G-kg	PU	Prod.No.	Price €
Solvent Cement GRIFFON UNI-100, 125ml	0.12	30.00	20218	13.10
GRIFFON UNI 100 solvent, 125 ml with brush	0.13	1.00	75168	9.42
Solvent Cement GRIFFON UNI-100 with brush 250ml	0.25	24.00	20023	11.95
Solvent Cement GRIFFON UNI-100 with brush 500ml	0.57	12.00	20024	20.97
Solvent Cement GRIFFON UNI-100 with brush 1000ml	1.07	8.00	20025	35.10



Griffon® solvent cement UNI-100 GT

Product	G-kg	PU	Prod.No.	Price €
Solvent Cement GRIFFON UNI-100 GT with brush 1000ml	1.00	8.00	20027	53.46



Kolmat® sealing tape

Product	G-kg	PU	Prod.No.	Price €
Sealing tape FIBRE SEAL 14 mm x 15	0.03	30.00	79248	7.61



Sealing and repair tape

Product	G-kg	PU	Prod.No.	Price €
Sealing tape, black, 3 m	0.05	1.00	75151	18.64



Silicone grease

Product	G-kg	PU	Prod.No.	Price €
Silicone Grease tube 15 gr	0.15	20.00	740135	6.84



Soap

Product	G-kg	PU	Prod.No.	Price €
Hand Cleaner 425 g	0.42	12.00	740133	15.05



IBG® FlexFit® adapter unions, clamp – solvent spigot

d-d1	DN	L	E	L1	L2	E	G-kg	PU	Prod.No.	Price €
50 × 50	40	104,5	42	31,5	69	89	0.22	30.00	71736A	6.75
50 × 11/2"	40	104,5	42	31,5	69	89	0.22	30.00	76488A	7.15
63 × 63	50	121,5	55	38,5	79	108	0.38	25.00	71905A	10.51
2"	50	121,5	55	38,5	79	108	0.38	25.00	76338A	10.84



IBG® FlexFit® adapter unions, clamp – solvent socket

d-d2	DN	L	E	L1	L2	E1	G-kg	PU	Prod.No.	Price €
50 × 50	40	103,5	58	31,5	69	89	0.22	24.00	71737A	7.15
50 × 11/2"	40	103,5	58	31,5	69	89	0.23	24.00	76489A	7.57
63 × 63	50	120,5	71,6	38,5	79	108	0.37	25.00	71906A	10.94
63 × 2"	50	120,5	71,6	38,5	79	108	0.38	24.00	76339A	11.35



IBG® FlexFit® adapter unions, BSP, clamp – female thread

d-G	DN	L	E	L1	L2	E1	G-kg	PU	Prod.No.	Price €
50 × 11/2"	40	103,5	58	31,5	69	89	0.24	24.00	71740A	8.85
63 × 2"	50	120,5	72	27,5	79	108	0.40	25.00	71911A	12.58



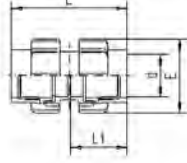
IBG® FlexFit® adapter unions, BSP, clamp – male thread + O-ring

d-G	Type	DN	d1	L	E	L1	L2	Z	Z1	G-kg	PU	Prod.No.	Price €
50 × 11/2"	A	40	39	90,8	89	18	69	48	58	0.22	25.00	71739A	8.39
50 × 2"	B	40	49	189,4	108	23	69	60	69	0.28	24.00	71904A	9.67
63 × 2"	A	50	49	109,4	89	23	79	60	69	0.37	36.00	71910A	11.35



IBG® FlexFit® adapter unions, NPT

d-G	Type	DN	d1	L	E	L1	L2	Z	Z1	G-kg	PU	Prod.No.	Price €
50 × 11/2"	A	40	39	90,8	89	18	69	48	58	0.23	25.00	76492	8.39



IBG® FlexFit® double union, clamp – clamp

d-d1	DN	L	E	L1	G-kg	PU	Prod.No.	Price €
50 × 50	40	142	89	69	0.40	20.00	71738A	12.17
63 × 63	50	162,5	108	79	0.65	20.00	71907A	20.17



IBG® FlexFit® adapter elbow 90°, clamp – solvent socket

d-d1	DN	I	L	E	L1	E1	Z	G-kg	PU	Prod.No.	Price €
50 × 50	40	57,5	97	56	69	89	26	0.25	25.00	71741A	7.15
50 × 1 1/2"	40	57,5	97	56	69	89	26	0.25	25.00	76493A	7.57
63 × 63	50	71	119	72	79	108	32,5	0.48	25.00	71908A	12.58
63 × 2"	50	71	119	72	79	108	32,5	0.45	25.00	76340A	13.01



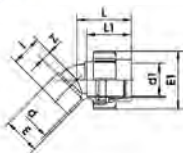
IBG® FlexFit® adapter elbow 90°, clamp – female thread

d-G	DN	I	L	E	L1	E1	Z	G-kg	PU	Prod.No.	Price €
50 × 1 1/2" IG	40	57,5	97	56	69	89	26	0.25	25.00	76496	8.85
63 × 2" IG	50	71	119	72	79	108	32,5	0.46	25.00	76343A	13.85



IBG® FlexFit® adapter elbow 90°, BSP, clamp – male thread

d-G	DN	d1	L	E	L1	L2	L3	G-kg	PU	Prod.No.	Price €
50 × 1 1/2"	40	36	94,5	89	85	63	69	0.28	25.00	71903A	7.57
63 × 2"	50	48	119	108	85	56,3	79	0.63	25.00	76600A	9.67



IBG® FlexFit® adapter elbow 45°, BSP, clamp – solvent socket

d-d1	DN	I	L	E	L1	E1	Z	G-kg	PU	Prod.No.	Price €
50 × 50	40	46,5	84	56,3	69	89	15	0.25	25.00	73506A	7.98



IBG® FlexFit® elbow 90° , clamp – clamp

d-d1	DN	I	L	E	G-kg	PU	Prod.No.	Price €
50 × 50	40	105,5	69	89	0.43	10.00	71742A	12.17
63 × 63	50	124	79	108	0.73	10.00	71909A	20.17



IBG® FlexFit® adapter tee 90° , clamp – solvent socket

Produkt	DN	I	L	E	L1	E1	Z	G-kg	PU	Prod.No.	Price €
50 × 50 × 50	40	57,5	9,7	56	69	89	26	0.27	18.00	71743A	7.57
1 1/2" × 50 × 1 1/2"	40	57,5	9,7	56	69	89	26	0.03	18.00	73402	7.98
63 × 63 × 63	50	71	119	71,6	79	108	32	0.57	16.00	71912A	12.58
2" × 63 × 2"	50	71	119	71,6	79	108	32	0.03	18.00	73403	13.01



IBG® FlexFit® adapter tee 90° , clamp – clamp

d-d1-d2	DN	I	L	E	G-kg	PU	Prod.No.	Price €
50 × 50 × 50	40	105,5	69	89	0.64	8.00	71744A	18.45
63 × 63 × 63	50	124	79	108	1.08	10.00	71913A	28.09
50 × 63 × 50	40/50	105,5	69	89	0.79	8.00	76787A	22.65



IBG® FlexFit® adapter tee 90° , clamp – solvent socket

Produkt	DN	I	L	E	L1	E1	Z	G-kg	PU	Prod.No.	Price €
50 × 63 × 50	40/50	105,5	69	89	79,8	71,6	41,3	0.63	8.00	76788A	14.69



IBG® FlexFit® assembly key, made of GFK

Product	G-kg	PU	Prod.No.	Price €
40	0.07	40.00	71635	2.23
50	0.06	10.00	71634	2.46



PVC 2-way ball valve SU with FlexFit® union

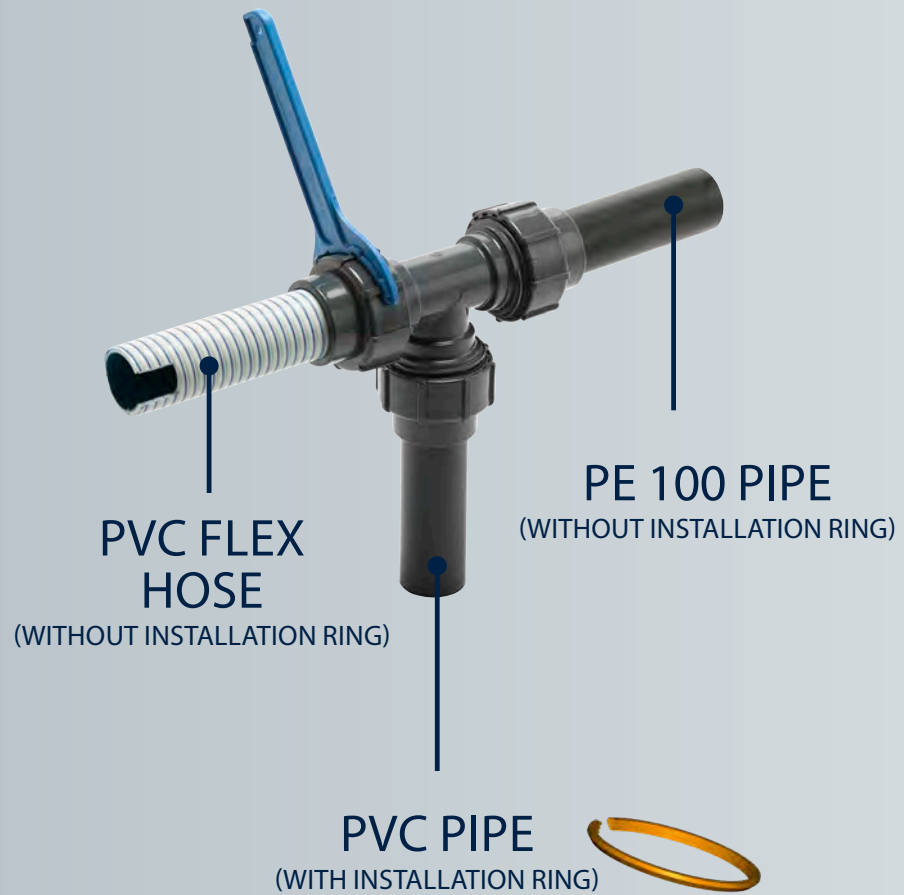
Product	G-kg	PU	Prod.No.	Price €
50	0.82	10.00	121422	47.97
63	1.65	10.00	121423	57.28



Brass ring d50 and d63

To be used with IBG Flexfit fitting system and rigid - PVC piping system, only for NEW IBG flex fittings with production date from 03/2015 onwards

Product	G-kg	PU	Prod.No.	Price €
Ring for unions FlexFit brass d50 single packed	0.09	1.00	142428	38.46
Ring for unions FlexFit brass d63 single packed	0.14	1.00	142429	38.46



GLUELESS CONNECTION

IBG FlexFit

ENVIRONMENT FRIENDLY AND GLUELESS FLEXFIT® PVC FITTINGS

The easy-to-use Flex-Fit connections for flex hoses, PVC pipes and PE 100 pipe are high quality & precise plastic parts with many advantages.

To point out are fast assembly times as well as the independence of temperature and humidity during the construction of ponds, pools and irrigation systems.

Up to 25m length (50m on request) without connecting fittings means less glue connections, less risk of leaks and thus fast and safe installation.

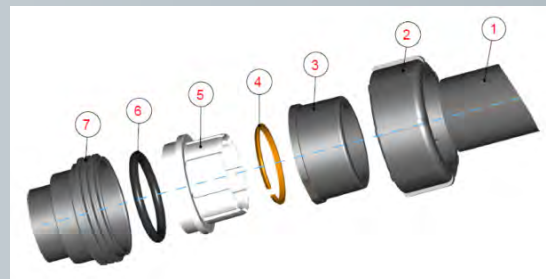
No use of cleaner and glue, no drying times, no health and safety protection are clear advantages for human and environment. The entire pipe connection system is 100% tight, immediately after right installation, and can be filled with water immediately after installation as well (max. 4 bar)

A little detail on the sideline - what is easy to assemble is also easy to dismantle.



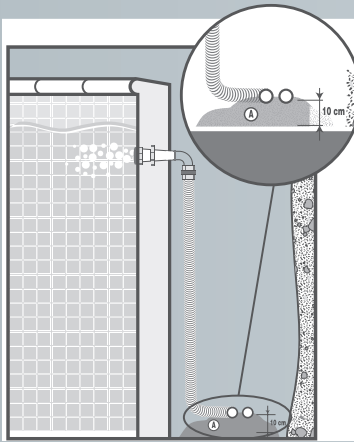
TECHNICAL DETAILS

MATERIAL	PVC-U
SEALING	EPDM
DIMENSIONS	DN40 / DN50
CONNECTION TYPES	clamp – clamp clamp – solvent socket clamp – solvent spigot clamp – male thread clamp – female thread
HOSE CONNECTION	hose to hose pipe to hose hose to thread
OPERATION PRESSURE	PVC hose DN40 / DN50: PN4 (fittings)
	PE pipe: DN40: MOP8 DN50: MOP6
	PVC pipe: DN40: MOP8 DN50: MOP6



1. Pipe (PVC)
2. Union nut (PVC)
3. Clamping sleeve (PVC)
4. Brass ring (brass)
5. Clamping ring (POM)
6. O-ring (EPDM)
7. Connection (PVC)

MAINTENANCE AT VERY LOW TEMPERATURES (FROST)



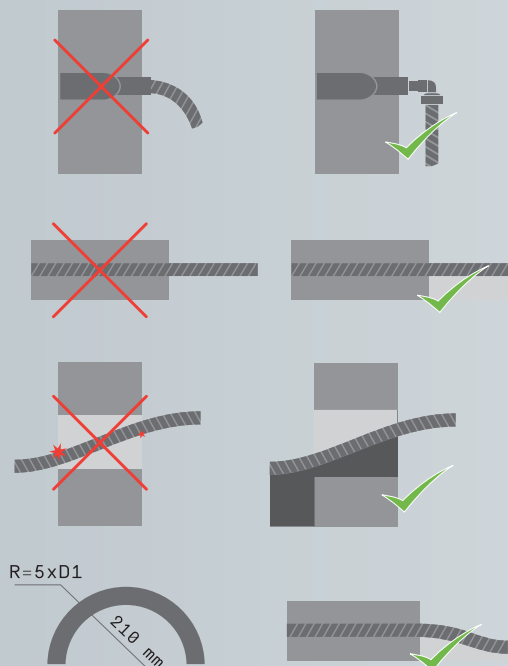
To avoid breakage in the piping system at frost please drain the piping! Normally part of the medium remains in the piping. Mostly no problem in case air can escape through an opened valve. If there is no open valve breakage is nearly inevitable. When the medium freezes in a flexible PVC hose, the flexibility of the hose in most cases prevents the hose from damage. Best solution is to drain the piping system in time!

CHARACTERISTICS OF UNIONS AT INGROUND INSTALLATION

or FlexFit the functions "tightening" and "clamping" are different. The safe tightening remains the same at different tensile load, the clamping is getting stronger.

RECOMMENDATIONS FOR THE CORRECT INSTALLATION OF PRAHER/IBG FLEX FITTINGS AND FLEX HOSES

- » Avoid extreme tension on the pipe (lowest possible bend radius)
- » D50 FlexFit® hose, min. bend radius $R=5 \times D1$
- » Install hose in sand bed or protection tube
- » Avoid contact with sharp edges, hose will move under pressure
- » Max. pressure: 4 bar (20° C water)
- » Max. temperature: + 60° C water

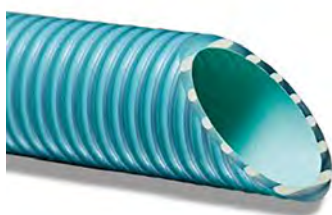




Peraqua FlexFit® flexible PVC hose, grey

With reinforced spiral

Product	PN	Roll	G-kg	PU	Prod.No.	Price €
20 × 2,0 mm	7	25 m	0.15	25.00	71708	2.57
25 × 2,5 mm	7	25 m	0.24	25.00	71709	2.95
32 × 3,0 mm	7	25 m	0.36	25.00	71710	3.08
40 × 3,0 mm	5	25 m	0.48	25.00	71711	4.18
50 × 4,0 mm	5	25 m	0.71	25.00	71712	4.20
63 × 4,0 mm	5	25 m	1.00	25.00	71713	6.20
75 × 4,0 mm	4	25 m	1.40	25.00	73507	10.80
90 × 8,0 mm	4	25 m	1.74	25.00	74043	14.90



Peraqua FlexFit® flexible PVC hose B-active, reinforced, aqua

Chlorine resistant, high banding radius, resistant to squeezing and deforming

Product	G-kg	PU	Prod.No.	Price €
Peraqua PVC-FLEX HOSE D=50 reinforced, B-active,50-42, l=25m, ISO 1307:2008	0.74	25.00	740129	7.80
Peraqua PVC-FLEX HOSE D=63, reinforced, B-active, 63-55, l=25 m, ISO 1307:2008	0.96	25.00	740130	9.80



The spiral with D-Shape cross-section is extremely resistant to crushing (up to 34 kN/m²). The lining of the rigid spiral acts as a barrier that prevents premature embrittlement.



The CDS (Chlorine Defence System) film offers extensive protection against high-chlorine water.

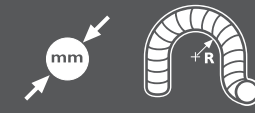
INSTALLATION AND STORAGE RECOMMENDATIONS PRAHER/IBG FLEX HOSE



PRAHER/IBG Flex hoses achieve highest quality standards. Regular control of the production according to is constantly EN ISO 3994 therefore the tolerances according to DIN/ISO to the Praher/IBG fittings isare guaranteed.

For correct hauling and durability please follow the recommendations:

- » Immediate check after delivery and feedback in case of deformation due to
- » Hauling of PVC Flex hose in sand bed (10 cm beyond and above) or double pipe
- » Consideration of the max. bend radius ($R = 5 \times D1$)
- » Please consider the material behaviour of PVCu according to your specific application parameter (pressure, temperature and mechanical stress)
- » Glueing of Flex hose due to optimal tolerances between PRAHER/IBG Flex hose and PRAHER/IBG fittings for glueing use of WDF05, product code 20223 solvent cement and cleaner recommended only
- » Installation with IBG flex fittings: Well proven "glue-less" connection with the wide range of Flex fitting system by PRAHER/IBG. The best solution for quick and smooth handling of the Flex hose
- » We recommend to keep Flex fitting accessible (do not embed in concrete or beneath the pool) • Pressure test of the pipe system before start up with water, pressure of 2 bar. Documentation by pressure test printout (necessary in case of claim)
- » Hauling below the frost line, installation and operation at a temperature of more than 0°C, draining of pipes during winter.
- » Temperature resistance 0° - 50°C acc. to pressure and temperature diagram. Max working pressure 4 bar at 20°C
- » In case of claim immediate information indicating serial number of hose,
- » Guarantee/warranty max. 2 years.

	
25	100
32	100
40	130
50	165
63	220



INSTALLATION RECOMMENDATION

For installation we recommend a min. temperature of + 5°C and highest temperature of 40°C. The hose must not be pressed against barriers or peaks; ants, termites or small rodents may cause damages on in-ground piping.



Smart Inverter Plus heat pump in high-quality V2A stainless steel design with heating and cooling function

page 299

**DESIGNED &
ENGINEERED
IN AUSTRIA**



POOL HEATING & DEHUMIDIFIERS

298 | Heat pumps

304 | PE absorber

305 | Smart heat exchanger

307 | Smart Full Inverter Plus dehumidifier

HEAT PUMPS

Smart heat pumps from Peraqua are air-water heat pumps. The contained refrigerant R32 is warmed up through the sucked-in air from the environment. Afterwards the gas will be compacted by a compressor, the arising heat energy will be exchanged to the pool water through a heat exchanger.

HEAT EXCHANGER

By using heat exchangers an external heating source (e.g. house heating installation) will be integrated into the system. The heat exchanger exchanges the heat to the pool water.

PE ABSORBER

In this system water flows directly through absorber plates / - mats and is heated up accordingly. Because of the direct contact with the swimming pool water it is important to consider the right selection of materials in respect to chemical, thermal and mechanical durability.



CARIBBEAN WARM AND NORTH SEA FRESH POOL WATER



INDIVIDUAL POOL TEMPERATURE WITH SMART HEAT PUMPS AND HEAT EXCHANGERS

Make yourself comfortable, adjust the desired pool water temperature and increase your individual well-being.

High-quality inverter heat pumps with heating and cooling function and Titanium-um heat exchanger extend the bathing season and ensure convenient tempered pool water with an over-average energy saving due to inverter technology.

MODBUS



WiFi capable, the optimal solution for the intelligent pool control by means of free Loxone App and Loxone Aquastar® Air pool control

WHY SMART INVERTER TECHNOLOGY?

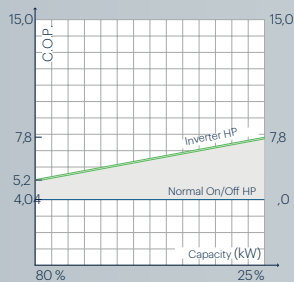
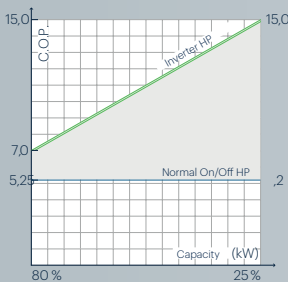
- 65 % higher COP than Normal ON/OFF HP
- 50% higher COP than Normal Inverter HP

Smart Inverter HP versus Normal On/Off HP (when maintaining pool temperature)

Performance condition:

Air 26 °C | Water 26 °C | Humidity 80%

Air 15 °C | Water 26 °C | Humidity 70%

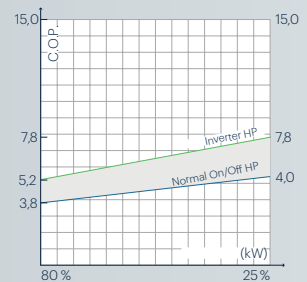
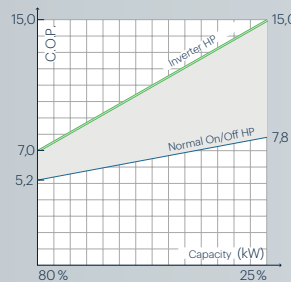


Smart Inverter HP versus Normal Inverter HP (when maintaining pool temperature)

Performance condition:

Air 26 °C | Water 26 °C | Humidity 80%

Air 15 °C | Water 26 °C | Humidity 70%

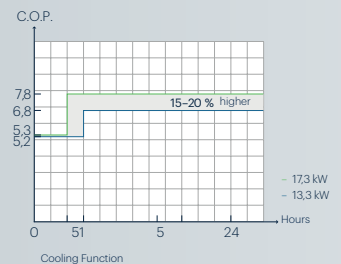
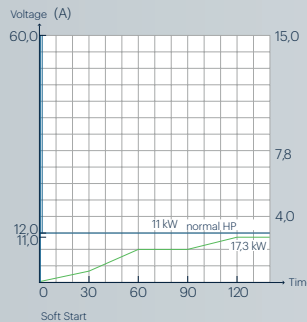


→ 10× times quieter

By integrating super quiet Mitsubishi inverter compressor and variable speed ventilation system, Smart Inverter ensures an operation 10 times quieter than normal heat pumps when maintaining the pool temperature. It's the quietest running heat pump you can find in the market.

→ Soft Start

When Smart Inverter HP turns on, the current will start from 0 A and slowly reach rated current in 2 minutes. Household electricity system will not be affected with a gentle increased current.



→ Designed for air from -7 °C

Smart Inverter HP is designed for air -7°C, which can maximize your pool season.

SMART CHOICE: When choosing a Smart Inverter, a bigger model is recommended so that the heat pump runs at low speed for a longer time with more benefits::

- faster heating
- save more energy
- enjoy longer silent running time

Performance condition:

Air 15 °C | Water 26 °C | Humidity 70%

Maintains 26 °C water temperature for 45 m³ pool



STEPLESS FULL-INVERTER	NON-CORROSIVE PLASTIC HOUSING
MODBUS	
R32	



Guarantee on compressor and heat exchanger



New Touch Control with integrated WLAN connection for the control via mobile device, free APP

Smart Full Inverter Plus heat pumps, heating & cooling

Inverter heat pumps are equipped with variable speed compressors, depending on the energy demand and the surroundings conditions, the speed of the compressor and fan will be increased or decreased. Therefore this kind of heat pumps do not work on a fixed frequency as other traditional heat pumps do. Big advantages are much higher efficiencies at much lower sound pressures.

ADDITIONAL ADVANTAGES:

10 times quieter, soft start, operation temperature -7°C , quicker heating, higher saving, 65% higher C.O.P as for common on and off heat pump, 7 year guarantee for compressor and heat exchanger incl. integrated WiFi function

PRICES INCL. COVER AND VIBRATION ABSORBER

PRINCIPLE OF EEV TECHNOLOGY

EEV technology is with an electronic expansion valve, which permits very precise and flexible regulation of gas flow to adapt to fluctuations of ambient temperature. The gas flow adjustment range of EEV is 10 times of traditional Tx-valve/capillary designs. As a result, it improves the C.O.P. averagely by 15-20%.

TITAN HEAT EXCHANGER

The heat exchanger is made of high class titanium tube, a stable and non-reactive material which is compatible with water treatment by salt electrolysis.

The internal configuration design guaranteed a high efficiency of the heat pump. 5 years guarantee on heat exchanger.

HOT GAS DEFROSTING

Adopting Japanese SAGINOMIYA 4-way valve, it could defrost automatically and ensure above 0°C operation.

UNIQUE SILVER WELDING

Silver in the welding solder which guarantees a high reliability of gas piping system and prevents the gas leakage.

Detailed manual on request.

TECHNICAL DETAILS

Model	7300714	7300715	7300772	7300716	7300717	7300718	7300719
Recommended pool size (m ³)*	25-45	30-55	35-65	40-75	50-95	65-120	90-160
Operation temperature (°C)	-7-43						
Operation conditions: Air 26°C, Water 26°C, Humidity 80%							
Heat capacity (kW)	10,3	12,8	15,0	17,3	20,4	27,0	35,6
C.O.P	14.5-6.9	15.0-7.4	15.5-6.7	14.8-5.9	14.5-5.7	14.5-6.2	14.6-5.5
COP at 50% speed	10,4	11,0	10,9	10,5	10,2	10,8	10,3
Operation conditions: Air 15°C, Water 26°C, Humidity 70%							
Heat capacity (kW)	7,1	8,3	10,5	11,4	14,0	18,0	24,0
C.O.P	7.3-4.6	7.7-4.8	7.8-4.6	7.5-4.3	7.4-4.2	7.6-4.5	7.7-4.5
COP at 50% speed	6,4	6,8	6,6	6,1	6,1	6,5	6,8
Operation conditions: Air 35°C, Water 28°C, Humidity 80%							
Cooling capacity (kW)	4,5	5,5	6,8	7,7	9,8	12,1	16,4
Sound level 1m dB(A)	38.6-49.9	42.1-50.7	41.3-54.0	43.1-53.8	40.9-54.2	43.5-54.9	42.6-54.7
Sound level at 50% speed 1m dB(A)	43,3	45,7	46,0	46,5	46,4	48,4	45,8
Compressor	Mitsubishi DC Inverter						
Heat Exchanger	Titanium						
Housing	ABS						
Power supply	230V/1 Ph/50Hz				400V/3 Ph/50Hz		
Rated input power at 15°C (kW)	0.19-1.5	0.22-1.73	0.27-2.2	0.3-2.6	0.38-3.3	0.53-3.9	0.62-5.2
Rated current at 15°C (A)	0.83-6.5	0.96-7.52	1.17-9.6	1.3-11.3	1.65-14.3	0.76-5.6	0.89-7.4
Water flow (m ³ /h)	3-4	4-6	5-7	6.5-8.5	8-10	10-12	12-18
Water pipe specification in-out (mm)	50						
Net dimensions LxWxH (mm)	961×340×658	961×340×658	961×340×658	961×420×658	961×420×758	1092×420×958	1161×530×958
Net weight (kg)	49	50	52	63	68	93	120
Gas (g)	750	800	900	1000	1200	2000	2700
GWP	675						
CO ₂ Equivalent (tonne)	0,506	0,540	0,608	0,675	0,810	1,350	1,823



Product	G-kg	PU	Prod.No.	Price €
Smart Full Inverter Plus heat pumps, heating & cooling				
Smart Full Inverter Plus heat pump H+C 10,3kW, anthracite, refrigerant R32	49.00	1.00	7300714	3730.00
Smart Full Inverter Plus heat pump H+C 12,8kW, anthracite, refrigerant R32	50.00	1.00	7300715	4050.00
Smart Full Inverter Plus heat pump H+C 15,0kW, anthracite, refrigerant R32	52.00	1.00	7300772	4710.00
Smart Full Inverter Plus heat pump H+C 17,3kW, anthracite, refrigerant R32	63.00	1.00	7300716	5170.00
Smart Full Inverter Plus heat pump H+C 20,4kW, anthracite, refrigerant R32	68.00	1.00	7300717	5680.00
Smart Full Inverter Plus heat pump H+C 27,0kW 3Ph., anthracite, refrigerant R32	93.00	1.00	7300718	7230.00
Smart Full Inverter Plus heat pump H+C 35,6kW 3Ph., anthracite, refrigerant R32	120.00	1.00	7300719	8060.00
COVERS				
Cover for 69,5 and 10,3 kW heat pump	0.69	1.00	74780	147.73
Cover for 12,5 and 12,8 kW heat pump	0.78	1.00	74782	147.73
Cover for 15,0, 16,5 and 17,3 kW heat pump	0.70	1.00	74783	147.73
Cover for 20,4 and 27,0 kW heat pump	0.80	1.00	74784	171.37
Cover for 35,6 kW heat pump	1.00	1.00	74786	171.37
VIBRATION ABSORBER				
Vibration absorber (4 pcs = 1 set)	0.77	4.00	74745	94.54



Smart Full Inverter Plus heat pumps, heating & cooling, stainless steel

same heat pumps as on previous page, but with high-quality V2A body. This design-highlight in our Smart Inverter heat pump series.

Product	G-kg	PU	Prod.No.	Price €
Smart Full Inverter Plus heat pump H+C 12,8kW, V2A, refrigerant R32	55.00	1.00	7300782	4650.00
Smart Full Inverter Plus heat pump H+C 17,3kW, V2A, refrigerant R32	70.00	1.00	7300783	5950.00
Smart Full Inverter Plus heat pump H+C 20,4kW, V2A, refrigerant R32	74.00	1.00	7300784	6550.00

STEPLESS
FULL-INVERTER

NON-CORROSIVE
PLASTIC HOUSING

MODBUS

R32



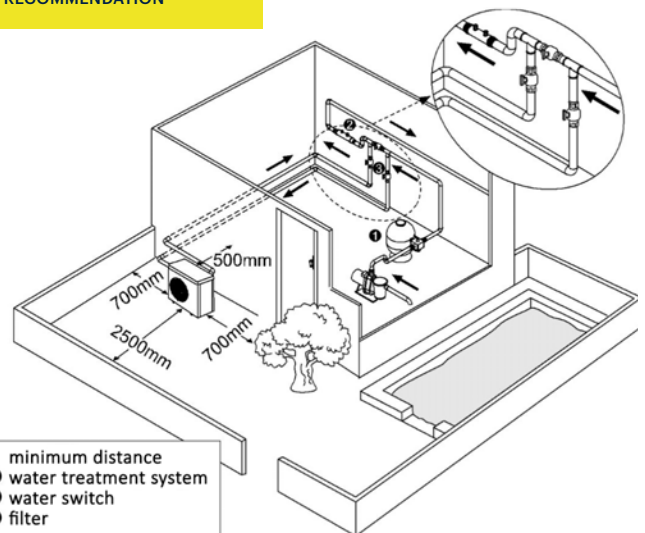
Guarantee on compressor and heat exchanger



New Touch Control with integrated WLAN connection for the control via mobile device, free APP



POSITION RECOMMENDATION





VARNISHED ALUMINIUM-HOUSING

3-STEPS ECO-INVERTER

R32



Guarantee on compressor and heat exchanger



New Touch control

Optional with WIFI connection for smart control via mobile device for retrofit, free Loxone App



NOTE

Covers and vibration absorbers are already included in delivery.#



Model Prod.No. 7300704 and 7300706 incl. integrated plug and 2,5 m cable.

Smart ECO Inverter heat pump heating & cooling

Smart inverter heat pumps are equipped with compressores working in three speeds. Speed is reduced or increased in connection of power supply requirement and environmental conditions and is not working at a fixed frequency as traditional heat pumps are working at. This inverter heat pump distinguishes itself by higher efficiency at lower noise level.

TECHNICAL DETAILS

Model	7300704	7300706	7300707	7300708	7300709
Recommended pool size (m³)*	15-30	20-40	30-40	35-65	45-80
Operation temperature (°C)	0-43				
Operation conditions: Air 26°C, Water 26°C, Humidity 80%					
Heat capacity (kW)	6,5	9,0	12,5	16,0	20,0
C.O.P	10.3-6.6	10.6-6.8	11.6-7.0	11.2-7.1	11.8-6.5
COP at 50% speed	9,3	9,6	10,1	9,7	10,2
Operation conditions: Air 15°C, Water 26°C, Humidity 70%					
Heat capacity (kW)	5,0	6,3	8,5	11,0	14,0
C.O.P	6.0-4.8	6.1-4.5	6.3-4.8	6.4-4.7	6.5-4.6
COP at 50% speed	5,8	5,7	6,1	5,9	6,1
Operation conditions: Air 35°C, Water 28°C, Humidity 80%					
Cooling capacity (kW)	2,5	3,1	4,6	5,6	7,8
Sound level 1m dB(A)	38.8-50.2	40.6-52.5	42.9-53.0	45.2-56.3	45.3-57.1
Sound level bei 10m dB(A)	18.8-30.2	20.6-32.5	22.9-33.0	25.2-36.3	25.3-37.1
Sound level at 50% speed 1m dB(A)	42,8	45,8	48,5	48,7	49,6
Heat exchanger	Titanium				
Housing	ABS				
Power supply	230V/1 Ph/50Hz				
Rated input power at 15°C (kW)	0.29-1.04	0.36-1.40	0.47-1.78	0.59-2.34	0.75-3.04
Rated current at 15°C (A)	1.26-4.52	1.57-6.09	2.02-7.74	2.52-10.17	3.26-13.21
Water flow (m³/h)	2-4	3-4	4-6	6.5-8.5	8-10
Water pipe specification in-out (mm)	50				
Net dimensions LxWxH (mm)	744x359x648	864x359x648	864x359x648	954x359x648	954x359x748
Net weight (kg)	42	46	49	60	68

Product	G-kg	PU	Prod.No.	Price €
Smart ECO Inverter heat pump heating & cooling				
Smart ECO Inverter heat pump H+C 6,5kW, grey, refrigerant R32	42.00	1.00	7300704	1700.00
Smart ECO Inverter heat pump H+C 9,0kW, grey, refrigerant R32	46.00	1.00	7300706	2200.00
Smart ECO Inverter heat pump H+C 12,5kW, grey, refrigerant R32	49.00	1.00	7300707	3200.00
Smart ECO Inverter heat pump H+C 16,0kW, grey, refrigerant R32	60.00	1.00	7300708	3800.00
Smart ECO Inverter heat pump H+C 20,0W, grey, refrigerant R32	68.00	1.00	7300709	4500.00
COVERS				
Cover for 9,0 and 10,3 kW heat pump	0.69	1.00	74780	147.73
Cover for 6,5 heat pump	0.52	1.00	74781	76.64
Cover for 12,5 and 12,8 kW heat pump	0.78	1.00	74782	147.73
Cover for 15,0, 16,0 and 17,3 kW heat pump	0.70	1.00	74783	147.73
Cover for 20,4 and 27,0 kW heat pump	0.80	1.00	74784	171.37
VIBRATION ABSORBER				
Vibration absorber (4 pcs = 1 set)	0.77	4.00	74745	94.54
WIFI Module				
WIFI module for smart inverter heat pump ECO, heating & cooling	0.00	1.00	7300846	121.35



VARNISHED
ALUMINIUM-
HOUSING

STEPPLESS
FULL-INVERTER



Smart Full Inverter Plus heat pump commercial

high capacity heat pump with inverter technology for commercial pools. Please get in contact with us for your project.

TECHNICAL DETAILS

Model	7300720	7300721
Recommended pool size (m ³)*	130-260	260-520
Operation temperature (°C)	-7-43	
Operation conditions: Air 26°C, Water 26°C, Humidity 80%		
Heat capacity (kW)	59,6	109,0
COP at 50% speed	10,0	9,8
Operation conditions: Air 15°C, Water 26°C, Humidity 70%		
Heat capacity (kW)	39,4	80,5
COP at 50% speed	6,7	6,6
Operation conditions: Air 35°C, Water 28°C, Humidity 80%		
Cooling capacity (kW)	26,2	53,7
Sound level at 1m dB(A)	54.0-62.0	56.0-65.0
Sound level at 10m dB(A)	34.0-42.0	36.0-45.0
Sound level at 50% speed 1m dB(A)	56,0	58,0
Compressor	DC-Inverter	
Heat Exchanger	Titanium	
Housing	Aluminium	
Power supply	230V/1 Ph/50Hz	
Rated input power at 15°C (kW)	2.20-8.03	4.69-17.9
Rated current at 15°C (A)	3.17-11.59	6.77-25.8
Max. current (A)	20	40
Circuit breaker (A)	25,0	48,0
Water flow (m ³ /h)	20-25	40-50
Water pipe specification in-out (mm)	75	110
Net dimensions LxWxH (mm)	1000x1110x1260	2100x1090x1280
Net weight (kg)	212	459
Gas (g)	5500	11000
GWP	2088	
CO2 Equivalent (tonne)	11,48	22,97

Product	G-kg	PU	Prod.No.	Price €
Smart Inverter Plus heat pump H+C 60,0kW 3Ph., refrigerant R410A	212.00	1.00	7300720	20800.00
Smart Inverter Plus heat pump H+C 110,0kW 3Ph., refrigerant R410A	459.00	1.00	7300721	41400.00

Smart Full Inverter Plus heat pump, heating & cooling, vertical

Inverter technology heat pumps with vertical blow-out for projects where the required minimum horizontal blow-off distance can not be met.



VARNISHED ALUMINIUM-HOUSING	BOOST FUNCTION
STEPLESS FULL-INVERTER	

up to 20% higher heat capacity compared with normal operation
Boost Mode controllable with a bottom at the new touch display



New Touch Control with integrated WLAN connection for the control via mobile device, free APP

TECHNICAL DETAILS

Model	7300724	7300725	7300726
Recommended pool size (m ²)*	35-65	40-75	50-95
Operation temperature (°C)	-7-43		
Operation conditions: Air 26°C, Water 26°C, Humidity 80%			
Heat capacity (kW)	13,3	17	21,9
Heat capacity (kW) in Boost Mode	16,0	20,4	26,3
COP	13.9-7.1	14.3-6.7	14.0-6.3
COP in Boost Mode	6,2	5,9	5,8
COP at 50% speed	11,0	11,1	10,9
Operation conditions: Air 15°C, Water 26°C, Humidity 70%			
Heat capacity (kW)	9,7	12,5	16,0
Heat capacity (kW) in Boost Mode	11,7	15	19,0
COP	7.0-5.1	7.1-4.8	7.1-4.7
COP in Boost Mode	4,7	4,5	4,4
COP at 50% speed	6,4	6,4	6,2
Operation conditions: Air 35°C, Water 28°C, Humidity 70%			
Cooling capacity (kW)	7,3	8,4	11,2
Sound level 1m dB(A)	41.5-55.2	43.3-53.9	41.0-54.4
Sound level at 50% speed 1m dB(A)	46,6	46,5	46,6
Heat exchanger	Titanium		
Housing	Aluminium		
Power supply	230V/1 Ph/50Hz		
Rated input power at 15°C (kW)	0.34-2.45	0.42-3.19	0.55-4.32
Rated current at 15°C (A)	1.48-10.7	1.83-13.9	2.40-18.8
Rated Water flow (m ³ /h)	5-7	6.5-8.5	8-10
Water pipe specification in-out (mm)	50		
Net dimensions LxWxH (mm)	776x687x656	776x687x656	776x687x755
Net weight (kg)	65	72	88
Gas (g)	900	1200	2000
GWP	675		
CO2 Equivalent (tonne)	0,608	0,81	1,35

Product	G-kg	PU	Prod.No.	Price €
Smart Inverter Plus heat pump H+C 13,3kW vertical, grey, refrigerant R32	65.00	1.00	7300724	4250.00
Smart Inverter Plus heat pump H+C 17,3kW vertical, grey, refrigerant R32	72.00	1.00	7300725	5480.00
Smart Inverter Plus heat pump H+C 20,8kW vertical, grey, refrigerant R32	88.00	1.00	7300726	6230.00

THINK BIGGER



BIGGER & MORE ECO-FRIENDLY

When integrating a heat pump in a pool area we recommend a stronger model. Why?

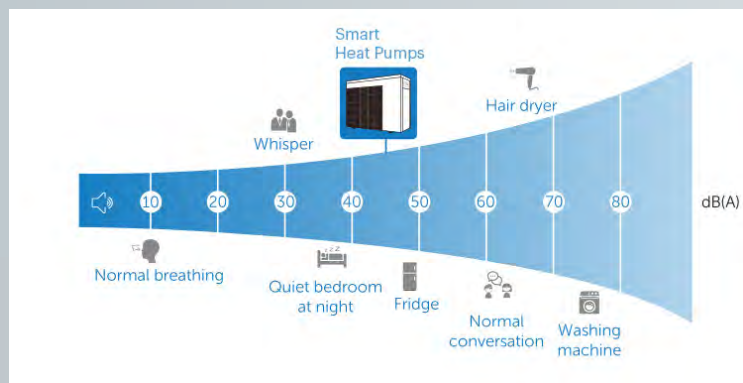
The reason for a stronger model is the operation at a lower speed with following advantages :



Audibly quieter sound level and more silent swimming pool surrounding



Higher energy savings due to less required power intake.



WHAT'S R32?

Our new smart heat pumps with inverter technology are filled with R32 now. It is a newer refrigerant, which is transporting the heat even more effectively and above all has one-third less impact on global warming potential (GWP).

Because R32 transports thermal energy much more effectively, it is used in smaller amounts and therefore saves the environment.

For you, this forward-looking technology means maximum comfort using minimum energy consumption.



Incl. integrated collector pipe



Incl. 4 connection pipes



Incl. integrated collector pipe both sides

Solar absorber

For heating of the pool water

- Low pressure loss
- High efficiency
- Absolute frost-proof
- Completely walkable
- Easy installation
- TÜV-tested

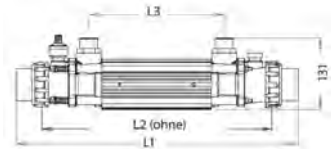
TECHNICAL DATA

- Material: HDPE
- Pressure loss ca. 0.003 bar at 200 l/h/m²
- Flow rate: 150–250 l/m²/h
- Weight: approx. 6 kg/m² – water volume: 6 l/m²
- Test pressure: 4.5 bar
- Operation pressure: bis 1.2 bar bei 40 °C
- Efficiency: up to approx. 85 %
- Capacity: up to 0.85 kWh/m²
- Temperature resistant at idle running: from -50 °C up to +115 °C
- Pipe: Ø 40 mm

Product	G-kg	PU	Prod.No.	Price €
Solar absorber Ocean®PE black with integrated collector pipe 40 mm, 1320 x 820 mm	6.63	70.00	75754	135.85
Solar absorber Ocean®PE black with 4 connection pipe 25 mm, 1280 x 820 mm	6.47	100.00	75755	135.85
Solar absorber Ocean®PE black with collector pipe, both sides mit Sammelrohr beiderseitig 40 mm	6.70	50.00	75756	135.85
Connection hose Ocean®38 x 5 x 60 mm with 2 stainless steel hose clamps	0.01	100.00	75757	9.26
Connection hose Ocean®25 x 3 x 70 mm with 2 stainless steel hose clamps	0.01	100.00	75758	8.21
Fixing bar for solar absorber universal suitable for all roof tiles, V2A 1 mm, length: 500mm, width: 20/12 mm	0.20	1.00	76876	37.23
Perforated tape for solar absorber zinc coated 12 x 1mm l=10m roll	0.10	10.00	76877	57.89
Air vent 3/8"	0.11	1.00	76884	56.57
Drain valve brass 1/2"	0.07	1.00	76885	41.67



PVC Flex hose, black
Prod.No. 740085



Smart titanium heat exchanger

Outstanding features are a densely packed tubular bundle in a thermally insulated primary chamber. The small volume of the chamber and large surface area of the internal tubing provides superb heat transfer efficiency and minimal energy loss. The shell is made of AISI 316L (V4A) (EN 1.4432) stainless steel and enclosed by a rigid thermal casing made of aluminium. A plastic filling in between guarantees optimal isolation and best possible efficiency. The Smart heat exchanger can be installed in the opposite way as well (primary <-> secondary side) in case of eg. low flow.

TECHNICAL DATA

- Water connection primary circuit: 1" BSP female thread (1" male/male brass thread adapter incl.)
- Water connection secondary circuit: 1 1/2"/50 mm solvent connection
- Incl. 2 x 1" male brass double nipple, 1 x blanking cap for changing tube, 1 x brass non-return valve 1" female
- Material primary side: titanium
- Material secondary side: AISI 316L (V4A) (EN 1.4432) stainless steel

Capacity	L1	L2	L3	P max.
30 kW	540	426	247	4 bar
49 kW	710	596	417	4 bar
85 kW	840	726	547	4 bar
122 kW	1000	886	707	4 bar

Product	G-kg	PU	Prod.No.	Price €
Smart Titanium tubular heat exchanger 30 kW	3.91	1.00	740084	622.59
Smart Titanium tubular heat exchanger 49 kW	4.50	1.00	740085	789.63
Smart Titanium tubular heat exchanger 85 kW	5.10	1.00	740086	971.86
Smart Titanium tubular heat exchanger 122 kW	6.00	1.00	740087	1351.49



Smart titanium touch screen heating control

Easy for control for each Smart titanium heat exchanger, incl. flowmeter and temperature sensor

EQUIPMENT

- Digital touch screen
- Ready for BMS (building management system) integration
- "Priority heating", meaning treatment at perfect pool temperature
- 24 hours programmable
- Exact temperature control adjustment up to 0.5° C
- Diagnosis display
- Supplied with 1 m flow switch and 1 m NTC temperature sensor

Product	G-kg	PU	Prod.No.	Price €
Smart touch screen digital controller	5.70	1.00	7300258	523.89

Standard Power Output	Primary (HOT) Flow (m³/h)	Primary (HOT) Head Loss (kPa)	Secondary (POOL) Flow (m³/h)	Secondary (POOL) Head Loss (kPa)	ΔT 15°C (kW)	ΔT 20°C (kW)	ΔT 30°C (kW)	ΔT 40°C (kW)	ΔT 50°C (kW)	ΔT 60°C (kW)	ΔT 70°C (kW)
30-kW	1.1	6.1	10	5.0	9	11	16	20	26	30	33
30-kW	1.3	6.8	10	5.0	10	13	18	23	31	34	39
30-kW	1.3	6.8	14	7.0	11	15	20	26	34	41	46
49-kW	1.6	7.7	16	9.2	13	18	25	34	41	50	56
49-kW	1.8	8.3	16	9.2	14	20	28	38	45	55	62
49-kW	2.2	9.6	17	9.8	16	22	33	44	52	64	73
85-kW	2.4	11.3	17	10.6	22	28	40	53	64	75	81
85-kW	2.7	12.9	17	10.6	26	32	46	60	73	82	89
85-kW	3.2	14.7	17	10.6	28	34	49	64	77	90	102
122-kW	3.8	18.3	19	12.6	33	43	68	75	93	108	120
122-kW	4.2	20.0	19	12.6	36	48	70	89	108	126	143
122-kW	4.6	21.1	19	12.6	38	52	73	95	116	137	156

Smart EVO titanium electric heating



Unique and proven coiled heating element technology, whereby a turbulent vortex is created in the water flow, prevents the build up of mineral deposits on the heating element. Guarantees a steadily high efficiency and longer life cycle of the heating.

- Analogue control thermostat
- Titan flow pipe
- Suitable for in-ground, above-ground and splasher pools (incl. wall mounting)
- Temperature control and safety thermal cut out due to manual reset button
- Accuracy to 1°C with analogue control

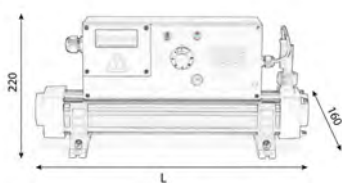
TECHNICAL DATA

- Heating element: titanium
- Flow pipe: titanium
- Flow data: Minimum: 2 kW to 6 kW – 1 m³/h 9 kW and more – 4 m³/h Recommended: 10 m³/h Maximum: 17 m³/h
- Thermostat: analogue 0 – 40° C
- Safety thermal cut out: 55° C (manual reset)
- Operation pressure: max. 4 bar
- Water connection: 1 1/2" BSP female thread incl. 1 1/2" / 50 mm ABS union and 1 1/2" / 1 1/4" hose nozzles

DIMENSIONS

L = 592 mm,

L = 462 mm for heat pump 1-phase 2kW



Product	G-kg	PU	Prod.No.	Price €
Smart Titanium electric swimming pool heating 1-phase 2 kW	3.08	1.00	740090	1003.74
Smart Titanium electric swimming pool heating 1-phase 3 kW	3.08	1.00	740091	1009.83
Smart Titanium electric swimming pool heating 1-phase 4,5 kW	3.08	1.00	740092	1015.90
Smart Titanium electric swimming pool heating 1-phase 6 kW	3.08	1.00	740093	1029.57
Smart Titanium electric swimming pool heating 1-phase 9 kW	4.50	1.00	740094	1098.67
Smart Titanium electric swimming pool heating 1-phase 12 kW	4.50	1.00	740095	1122.19
Smart Titanium electric swimming pool heating 3-phase 6 kW	3.08	1.00	740098	1232.28
Smart Titanium electric swimming pool heating 1-phase 15 kW	4.50	1.00	740096	1234.56
Smart Titanium electric swimming pool heating 3-phase 9 kW	4.50	1.00	740099	1247.48
Smart Titanium electric swimming pool heating 3-phase 12 kW	3.08	1.00	740100	1264.94
Smart Titanium electric swimming pool heating 3-phase 15 kW	3.00	1.00	740101	1280.89
Smart Titanium electric swimming pool heating 1-phase 18 kW	0.00	1.00	740097	1319.61
Smart Titanium electric swimming pool heating 3-phase 18 kW	3.08	1.00	740102	1397.05
Smart Titanium electric swimming pool heating 3-phase 24 kW	3.08	1.00	740103	1444.89

Smart Full Inverter Plus dehumidifier



**ENERGY
SAVING**

STEPLESS
FULL-INVERTER

**EXTRA
QUIET**

V2A FRONT
&
PLASTIC HOUSING

Smart Full Inverter Plus dehumidifier

- high energy-saving potential due to inverter technology
- extremely low noise operation
- flexible installation
- output 48, 72, 96 l/24h
- classy design

TECHNICAL DETAILS

Model	7300727	7300728	7300729
Recommended pool surface (m ²)*	<20	<30	<40
Usage at air temperature °C	10 – 38 °C		
Capacity (l/h) (Air 30 °C / Humidity 80%)	2,0	3,0	4,0
DER (l/h.kW) (Air 30°C / Humidity 80%)	4,52-2,80	4,53-2,85	4,50-2,75
Heat recovered (kW)	2,4	3,3	4,4
Optional electric heating (kW)	2,0	2,0	2,0
Rated input power (kW)	0.11-0.71	0.17-1.05	0.22-1.45
Rated current (A)	0.48-3.09	0.74-4.57	0.96-6.30
Max. Power supply (A)	5,5	7,5	9,5
Circuit breaker (A)	8.0	10.0	13.0
Power corde (mm ²)	3x1.5	3x2.5	3x4
Power supply	230V/1 Ph/50Hz		
Sound level 1m dB(A)	35.3-45.6	35.6-46.1	35.9-46.4
Sound level at 50% speed 1m dB(A)	38.2	40.1	40.3
Air flow (m ³ /H)	600	800	1000
Net dimensions LxWxH (mm)	855×286×860	855×286×860	1155×286×860
Net weight (kg)	52	55	70

Product	G-kg	PU	Prod.No.	Price €
Smart Inverter Plus dehumidifier 48L, 1Ph., refrigerant R32	67.00	1.00	7300727	5000.00
Smart Inverter Plus dehumidifier 72L, 1Ph., refrigerant R32	72.00	1.00	7300728	6100.00
Smart Inverter Plus dehumidifier 96L, 1Ph., refrigerant R32	86.00	1.00	7300729	7200.00



MEASURE, CONTROL AND DOSING SYSTEMS

312 | Salt electrolysis systems

323 | Measure and control systems

327 | UV systems

NEW



WATER DESINFECTION WITH **NaCl**

SALT ELECTROLYSIS – HOW IT WORKS

A pool water disinfection by means of salt is not a chlorine-free method. However, the dissolved salt in the water makes the water softer with a smoother feeling on your skin.

One of first steps it to add a defined amount of salt (NaCl) to your pool water. In the cell of the salt electrolysis you generate some Chlorine gas through a slight current flow (= electrolysis), so you convert salt into Chlorine which disinfects your pool water.

The resulting free chlorine destroys all micro-organisms and is therefore a very strong, liquid chlorine-alternative disinfectant.

THE CONTEXT OF CHLORINE AND PH VALUE

A big influence on an effective use of a salt electrolysis system or on a perfect water disinfection has the pH value, which is ideally between 7,2 and 7,4

This value, as well as the chlorine value has to be checked regularly. We therefore recommend to implement an automatic pH regulation as well.

OPTIMAL PERFORMANCE

The optimal performance of saltwater chlorination is based on the correct choice of chlorine production per hour depending on the pool size.

We recommend a salt concentration of at least 2g/l (low salt 1-2g) in order to have an optimal function of the system.

		SWIMMING POOL SIZE M ³							
		25	50	75	100	125	150	175	200
FILTER PERIOD H	4	15 g/h	25 g/h						
	6	10 g/h	20 g/h	25 g/h	35 g/h				
	8	10 g/h	15 g/h	20 g/h	25 g/h	35 g/h	35 g/h		
	10			15 g/h	20 g/h	25 g/h	35 g/h	35 g/h	
	12				20 g/h	25 g/h	25 g/h	35 g/h	35 g/h

If the water exceeds 28°C water temperature on a regular base, choose one higher production level than indicated in the table.

TYPES OVERVIEW

	ECO	ADVANCED-PRO	ADVANCED-PRO LOW SALT	ADVANCED-PRO MAGNESIUM	ADVANCED-PRO PREMIUM-TOUCH
Power supply	230 Vac – 50 Hz / 60 Hz				
Max. cell current	10 A – 35 A	10 A – 35 A	17,5 A – 35 A	15 A – 35 A	3,75 A – 8,75 A
Gr/hour production	10 gr/h – 35 gr/h	10 gr/h – 35 gr/h	15 gr/h – 30 gr/h	15 gr/h – 35 gr/h	15 gr/h – 35 gr/h
Max. power	75 W – 263 W	75 W – 263 W	187,5 W – 385 W	112,5W – 263 W	80,25 W – 187,25 W
Max. cell voltage	7,5 Vcc	7,5 Vcc	7,5 Vcc / 22 Vcc	7,5 Vcc	21,4 V
Salt required	> 2 gr/l	> 2 gr/l	1 – 2 gr/l	> 2 gr/l	> 2 gr/l
Language selection	✓	✓	✓	✓	✓
Manual regulation CL	✓	✓	✓	✓	✓
Automatic regulation CL	✗	✓	✓	✓	✓
Indicator ORP values	✗	✓	✓	✓	✓
Indicator pH values	✗	✓	✓	✓	✓
Automatic Indicator of lack of salt	✓	✓	✓	✓	✓
Automatic Indicator of salt excess	✓	✓	✓	✓	✓
Indicator water temperature	✗	✓	✓	✓	✓
Self-cleaning	✓	✓	✓	✓	✓
Indicator salt level	✗	✓	✓	✓	✓
Indicator cell life	✗	✓	✓	✓	✓
Automatic alarms					
Lack of water flow	✓	✓	✓	✓	✓
Gas accumulation in the cell	✓	✓	✓	✓	✓
Overload	✓	✓	✓	✓	✓
Short circuit	✓	✓	✓	✓	✓
Over temperature	✓	✓	✓	✓	✓
Options					
Sensor Redox ORP Set	✗	✓	✓	✓	✓
Sensor pH Set	✗	✓	✓	✓	✓
Sensor Temperatur Set	✗	✓	✓	✓	✓
Sensor free Chlorine ppm Set	✗	✓	✓	✓	✓
Sensor Water flow Set	✓	✓	✓	✓	✓
Domotic Set	✗	✓	✓	✓	✓



Smart salt electrolysis system ECO

COMPACT SALT WATER ELECTROLYSIS UNIT WITH IP65 HOUSING, 10 - 35 GR FOR PRIVATE POOLS

- Low energy consumption
- low weight
- protection code IP65
- low operation temperature
- compact and easy adaption for each installation
- improved performance with power supply with switching power supply
- longer cell life span
- integrated micro processor control for operation hour analysis

Product	G-kg	PU	Prod.No.	Price €
Smart salt electrolysis system ECO 10g Cl/h self cleaning cell for private pools up to 25m3 (pump runtime 8h)	6.00	1.00	7300555	820.95
Smart Salzelektrolyseanlage ECO 15g Cl/h selbstreinigende Zelle für privaten Pools bis 50m3 (Pumpenlaufzeit 8h)	6.00	1.00	7300556	856.13
Smart salt electrolysis system ECO 20g Cl/h self cleaning cell for private pools up to 75m3 (pump runtime 8h)	6.00	1.00	7300557	1004.52
Smart salt electrolysis system ECO 25g Cl/h self cleaning cell for private pools up to 100m3 (pump runtime 8h)	6.00	1.00	7300558	1035.87
Smart salt electrolysis system ECO 35g Cl/h self cleaning cell for private pools up to 125m3 (pump runtime 8h)	6.00	1.00	7300559	1255.62



Smart salt electrolysis system ADVANCED-PRO

COMPACT SALT ELECTROLYSIS UNIT WITH IP65 HOUSING, WITH DIGITAL DISPLAY, 10 - 35 GR FOR PRIVATE POOLS

- Low energy consumption
- low weight
- protection code IP65
- low operation temperature
- compact and easy adaption for each installation
- improved performance with power supply with switching power supply
- longer cell life span
- integrated micro processor control for operation hour analysis
- digitales display, easy and intuitive handling

Product	G-kg	PU	Prod.No.	Price €
Smart salt electrolysis system ADVANCED-PRO 10g Cl/h self cleaning cell for private pools up to 25m3 (pump runtime 8h)	6.00	1.00	7300560	1113.22
Smart salt electrolysis system ADVANCED-PRO 15g Cl/h self cleaning cell for private pools up to 50m3 (pump runtime 8h)	6.00	1.00	7300561	1155.00
Smart salt electrolysis system ADVANCED-PRO 20g Cl/h self cleaning cell for private pools up to 75m3 (pump runtime 8h)	6.00	1.00	7300562	1252.41
Smart salt electrolysis system ADVANCED-PRO 25g Cl/h self cleaning cell for private pools up to 100m3 (pump runtime 8h)	6.00	1.00	7300563	1287.18
Smart salt electrolysis system ADVANCED-PRO 35g Cl/h self cleaning cell for private pools up to 125m3 (pump runtime 8h)	6.00	1.00	7300564	1449.85

Accessories such like pH and Redox set on page 315



Accessories such like pH and Redox set on page 315

Smart salt electrolysis system ADVANCED-PRO LOW SALT

COMPACT SALTELECTROLYSIS UNIT WITH IP65 HOUSING, WITH DIGITAL DISPLAY 15 - 30 GR FOR PRIVATE POOLS

Low energy consumption

- low weight
- protection code IP65
- low operation temperature
- compact and easy adaption for each installation
- improved performance with power supply with switching power supply
- longer cell life span
- integrated micro processor control for operation hour analysis
- digitales display, easy and intuitive handling

Product	G-kg	PU	Prod.No.	Price €
Smart salt electrolysis system ADVANCED-PRO LOW SALT 15g Cl/h self cleaning cell for private pools up to 50m3 (pump runtime 8h)	6.00	1.00	7300565	1735.07
Smart salt electrolysis system ADVANCED-PRO LOW SALT 20g Cl/h self cleaning cell for private pools up to 75m3 (pump runtime 8h)	6.00	1.00	7300566	2034.14
Smart salt electrolysis system ADVANCED-PRO LOW SALT 30g Cl/h self cleaning cell for private pools up to 100m3 (pump runtime 8h)	6.00	1.00	7300567	2781.16



Accessories such like pH and Redox set on page 315

Smart salt electrolysis system ADVANCED-PRO MAGNESIUM

NEW DEVICE FOR POOL WATER DESINFECTATION WITH MAGNESIUM

Compact salt electrolysis unit with IP65 housing, with digital display, 15, 25 - 30 gr for private pools

Low energy consumption

- low weight
- protection code IP65
- low operation temperature
- compact and easy adaption for each installation
- improved performance with power supply with switching power supply
- longer cell life span
- integrated micro processor control for operation hour analysis
- digitales display, easy and intuitive handling

Product	G-kg	PU	Prod.No.	Price €
Smart salt electrolysis system ADVANCED-PRO MAGNESIUM 15g Mg/h self cleaning cell for private pools up to 50m3 (pump runtime 8h)	6.00	1.00	7300568	1334.83
Smart salt electrolysis system ADVANCED-PRO MAGNESIUM 20g Mg/h self cleaning cell for private pools up to 75m3 (pump runtime 8h)	6.00	1.00	7300569	1606.25
Smart salt electrolysis system ADVANCED-PRO MAGNESIUM 30g Mg/h self cleaning cell for private pools up to 100m3 (pump runtime 8h)	6.00	1.00	7300570	1862.61
EMGIPOOL for smart salt electrolysis system ADVANCED-PRO MAGNESIUM, 25kg ba	25.00	1.00	7300618	88.85





MAGNESIUM FOR THE SKIN

SALT ELECTROLYSIS SYSTEM WITH MAGNESIUM – THAT'S HOW IT WORKS

The salt electrolysis unit ADVANCED-PRO MAGNESIUM combines the natural properties of magnesium salt with the benefits of an electrolysis. The sum of benefits makes the pool water rich on minerals and brings additional health factors.

It disinfects the pool water and provides a relaxing bath, softens skin and hair, without unpleasant chlorine odors. Magnesium ions penetrate the skin and provide therapeutic benefits for muscles and tendons as well as for the immune system.



While the generated hypochlorous acid (HClO) disinfects the bacteria in the water, magnesium hydroxide serves as a clarifier and flocculant.



OUR RECOMMENDATION

When installing this magnesium salt electrolysis in your pool system, we recommend the use of Nature Works filter media. You can achieve a clearly higher hygienic result compared with normal sand and therefore the ideal supplement for the highest possible hygiene.



Accessories such like pH and Redox set on page 315

Smart salt electrolysis system PREMIUM-TOUCH-DOM

TOUCHSCREEN AND INTEGRATED SMART HOME FUNCTIONS

- highly efficient bi-polar cell
- advanced Domotic functions
- lock function display
- TFT colour-touch-screen, easy to use
- control of all pool functions with integrated Domotic set
- APP available for IOS and ANDROID
- four programmable relais for pump, filter and lighting

Product	G-kg	PU	Prod.No.	Price €
Smart salt electrolysis system PREMIUM-TOUCH-DOM 15g Cl/h self cleaning cell for private pools up to 50m3 (pump runtime 8h)	6.00	1.00	7300571	1999.43
Smart salt electrolysis system PREMIUM-TOUCH-DOM 20g Cl/h self cleaning cell for private pools up to 75m3 (pump runtime 8h)	6.00	1.00	7300572	2072.58
Smart salt electrolysis system PREMIUM-TOUCH-DOM 25g Cl/h self cleaning cell for private pools up to 100m3 (pump runtime 8h)	6.00	1.00	7300573	2316.41
Smart salt electrolysis system PREMIUM-TOUCH-DOM 35g Cl/h self cleaning cell for private pools up to 125m3 (pump runtime 8h)	6.00	1.00	7300574	2560.25

Accessories



Product	G-kg	PU	Prod.No.	Price €
Transparente electrode holder incl. plug and O-ring	0.30	1.00	7300857	150.33
Plug for electrode holder	0.03	1.00	7300780	92.88
Sealing for plug of electrode holder	0.01	1.00	7300781	0.37
Sensor flow meter 1/2" male thread, without saddle	0.30	1.00	7300602	55.73
Sensor temperature set, incl. sensor holder and saddle	0.35	1.00	7300603	117.04
Sensor Redox ORP, incl. sensor holder, without saddle clamp	0.25	1.00	7300604	320.46
Sensor pH, incl. sensor holder, dosing pump, without saddle	0.32	1.00	7300605	362.26
Domotic kit	0.30	1.00	7300606	872.58
Salinity sensor g/l, 1 1/4" male thread, without saddle	0.25	1.00	7300608	182.12
Sensor earthing, 3/4", without saddle	0.25	1.00	7300609	9.89
Clamp saddle type "A" reinforced PP black female thread 5 -1/2"	0.25	60.00	73431	5.98
Clamp saddle type "B" reinforced PP black female thread 63-1 1/2"	0.29	40.00	71950	7.09
Clamp saddle type "A" reinforced PP black female thread 50-3/4"	0.25	60.00	73432	5.98
Clamp saddle type "B" reinforced PP black female thread 63-3/4"	0.30	40.00	73436	7.09
Clamp saddle type "A" reinforced PP black female thread 50-1 1/4"	0.28	60.00	73434	5.98
Clamp saddle type "B" reinforced PP black female thread 63-1 1/4"	0.33	30.00	73438	7.09
Sensor holder for Smart salt electrolysis systems	0.10	1.00	7300855	21.69
Dosing pump 1,5l/h	0.35	1.00	7300856	177.57



Salt electrolysis TECNO/TECNO PH

Self-cleaning electrolysis system for private pools from 25 to 160 m³.

CHARACTERISTICS

- Compact design L370 x B231 x T 140 mm
- Especially designed and constructed for installation in the technical room
- Optional with pH control and indication, 7.0–7.8 pH
- Salt niveau high/low alarm
- Self-cleaning cell and indication
- Transparent cell with d63 solvent connection
- Electrodes made of titan, durability 3000–5000 h
- Operation temperature +15–40°C max.
- Power supply 230V AC 50/60 Hz
- Salt content 3–12 g/l (4–6 g/l recommended)



Product	G-kg	PU	Prod.No.	Price €
TECNO				
Salt Electrolysis System TECNO 7G self cleaning 7 g chlorine/hour for private pools up to 25 m ³	5.97	1.00	78762	836.84
Salt Electrolysis System TECNO 12G self cleaning 12 g chlorine/hour for private pools up to 50 m ³	6.68	1.00	78763	945.52
Salt Electrolysis System TECNO 21G self cleaning 21 g chlorine/hour for private pools up to 80 m ³	7.24	1.00	78764	1162.88
Salt Electrolysis System TECNO 30G self cleaning 30 g chlorine/hour for private pools up to 120 m ³	8.74	1.00	78765	1320.46
Salt Electrolysis System TECNO 40G self cleaning 40 g chlorine/hour for private pools up to 160 m ³	9.50	1.00	78766	1956.24
TECNO PH				
Salt electrolysis unit TECNO-PH 7G self cleaning with integrated PH control 7 g Chlorine/hour for private Pools up to 25 m ³	4.92	1.00	78767	1308.51
Salt electrolysis unit TECNO-PH 12G self cleaning with integrated PH control 12 g Chlorine/hour for private Pools up to 50 m ³	6.38	1.00	78768	1422.62
Salt electrolysis unit TECNO-PH 21G self cleaning with integrated PH control 21 g Chlorine/hour for private Pools up to 80 m ³	7.24	1.00	78769	1706.28
Salt electrolysis unit TECNO-PH 30G self cleaning with integrated PH control 30 g Chlorine/hour for private pools up to 120 m ³	9.29	1.00	78770	1804.09
Salt electrolysis unit TECNO-PH 40G self cleaning with integrated PH control 40 g Chlorine/hour for private pools up to 160 m ³	9.50	1.00	78771	2369.22



Transparent sensor holder not included in delivery.



Salt electrolysis TECNO/TECNO PH, series 2

Optimized, new TECNO/TECNO PH series with digital and userfriendly display, for pool from 25 to 160 m³.

ADDITIONAL ADVANTAGES

- Digital display with touch function
- IP65
- PH function upgradable
- Temperature indication and controll
- Salt indication and controll
- Integrated RS-485 interface

APPLICATION

Typ TECNO	7 gr	12 gr	21 gr	30 gr	40 gr
Pool volume m ³	25 m ³	50 m ³	80 m ³	120 m ³	160 m ³

Product	G-kg	PU	Prod.No.	Price €
TECNO, SERIES 2				
Salt Electrolysis System TECNO 7G Series 2	4.80	1.00	7300182	1282.42
Salt Electrolysis System TECNO 12G Series 2	6.30	1.00	7300183	1448.70
Salt Electrolysis System TECNO 21G Series 2	8.20	1.00	7300184	1785.61
Salt Electrolysis System TECNO 30G Series 2	9.10	1.00	7300185	2010.58
Salt Electrolysis System TECNO 40G Series 2	9.50	1.00	7300186	2991.96
TECNO PH, SERIES 2				
Salt Electrolysis System TECNO-PH 7G Series 2	5.40	1.00	7300187	2054.05
Salt Electrolysis System TECNO-PH 12G Series 2	6.90	1.00	7300188	2220.33
Salt Electrolysis System TECNO-PH 21G Series 2	8.70	1.00	7300189	2557.24
Salt Electrolysis System TECNO-PH 30G Series 2	9.80	1.00	7300190	2782.21
Salt Electrolysis System TECNO-PH 40G Series 2	10.10	1.00	7300191	3763.59
DOSING SYSTEM				
Dosing set for salt electrolysis for TECNO, DOMOTIC and DOMOTIC LS models for pump flow rate 4 l/hour 1,5 bar	0.99	1.00	78786	325.12
SENSOR HOUSING, ELECTRODE HOLDER, PLUG CAP				
Transparent electrode and injector holder + O-ring	0.25	1.00	78931	84.72
PE electrode holder for salt electrolysis	0.02	1.00	78929	26.01
PVC plug thread for salt electrolysis	0.01	1.00	78930	7.81





Salt electrolysis DOMOTIC/DOMOTIC PH/REDOX

Self-cleaning electrolysis system for private pools from 50 to 160 m³.

CHARACTERISTICS

- Compact design L370 x B231 x T 135 mm
- Especially designed and constructed for installation in the technical rooms
- Optional with pH control and indication 7.0 – 7.8 pH
- Optional with redox control and indication 600 – 850 mV (ORP)
- Optional with remote control with cable extension
- Communication via MODBUS & PoolStation possible
- Salt reduction indication in %
- Self-cleaning cell and indication
- Electrodes made of titan, durability 5000 – 7000 h
- Transparent cell with d63 solvent connection
- Operation temperature +15 – 40°C max.
- Power supply 230V AC 50/60 Hz
- Salt content 3 – 12 g/l (4-6 g/l recommended)

APPLICATION

Typ DOMOTIC	12 gr	24 gr	32 gr	42 gr
Pool volume m ³ m ³	50 m ³	80 m ³	120 m ³	160 m ³

Product	G-kg	PU	Prod.No.	Price €
DOMOTIC				
Salt Electrolysis System DOMOTIC 12G self cleaning 12 g chlorine/hour for private pools up to 50 m ³	7.35	1.00	78773	1298.73
Salt Electrolysis System DOMOTIC 24G self cleaning 24 g chlorine/hour for private pools up to 80 m ³	9.27	1.00	78774	1488.92
Salt Electrolysis System DOMOTIC 32G self cleaning 32 g chlorine/hour for private pools up to 120 m ³	9.55	0.00	78775	1684.54
Salt Electrolysis System DOMOTIC 42G self cleaning 42 g chlorine/hour for private pools up to 160 m ³	10.54	1.00	78776	2499.64
DOMOTIC PH				
Salt electrolysis unit DOMOTIC-PH 12G self cleaning with integrated PH-control 12 g chlorine/hour for private pools up to 50 m ³	6.31	1.00	78777	1809.52
Salt electrolysis unit DOMOTIC-PH 24G self cleaning with integrated PH-control 24 g chlorine/hour for private pools up to 80 m ³	8.42	1.00	78778	1999.71
Salt electrolysis unit DOMOTIC-PH 32G self cleaning with integrated PH-control 32 g chlorine/hour for private pools up to 120 m ³	11.06	1.00	78779	2141.00
Salt electrolysis unit DOMOTIC-PH 42G self cleaning with integrated PH-control 42 g chlorine/hour for private pools up to 160 m ³	10.00	1.00	78780	2956.10
DOMOTIC PH+REDOX				
Salt Electrolysis System DOMOTIC PH-ORP 12G self cleaning with integrated PH-ORP control 12 g chlorine/hour for private pools up to 50 m ³	8.52	1.00	78781	2592.02
Salt Electrolysis System DOMOTIC PH-ORP 24G self cleaning with integrated PH-ORP control 24 g chlorine/hour for private pools up to 80 m ³	10.63	1.00	78782	2845.24
Salt Electrolysis System DOMOTIC PH-ORP 32G self cleaning with integrated PH-ORP control 32 g chlorine/hour for private pools up to 120 m ³	11.32	1.00	78783	3108.25



Plug to close an opening on page 317





Salt electrolysis DOMOTIC, series 2

Optimized, new TECNO/TECNO PH series with digital and userfriendly display, for pool from 25 to 160 m3.

ADDITIONAL ADVANTAGES

- Digital display with touch function
- IP65
- PH function upgradable
- Integrated RS-485 interface
- PH, ORP|REDOX, free chlorine measurement upgradable
- Temperature indication and control
- Salt indication and control
- 4 digital inputs and outputs (relais)
- Integrated pool station modul
- Modbus outputs



Product	G-kg	PU	Prod.No.	Price €
DOMOTIC, SERIES 2				
Salt Electrolysis System DOMOTIC 12G Series 2	6.30	1.00	7300192	1778.00
Salt Electrolysis System DOMOTIC 24G Series 2	10.61	1.00	7300193	2038.84
Salt Electrolysis System DOMOTIC 32G Series 2	9.10	1.00	7300194	2304.02
Salt Electrolysis System DOMOTIC 42G Series 2	9.50	1.00	7300195	3429.94
DOMOTIC SERIES 2 EXTENSIONS				
PH Control Expansion Module for DOMOTIC Series 2	0.50	1.00	7300196	692.29
ORP Control Expansion Module for DOMOTIC Series 2	0.50	1.00	7300197	1080.28
Free Chlorine Control Expansion Module for DOMOTIC Series 2	0.50	1.00	7300198	6051.30
DOSING SYSTEM				
Dosing set for salt electrolysis for TECNO, DOMOTIC and DOMOTIC LS models for pump flow rate 4 l/hour 1,5 bar	0.99	1.00	78786	325.12

Overview about the extensions for DOMOTIC, Series 2

							
7300196	✓	✓	×	×	✓	×	×
7300197	×	×	✓	✓	✓	×	×
7300198	×	×	×	×	×	✓	✓



Salt electrolysis DOMOTIC LOW SALT/LOW SALT PH/REDOX

self-cleaning electrolysis system for private pools from 50 to 80 m³.

CHARACTERISTICS

- Compact design L370 x B231 x T 135 mm
- Especially designed and constructed for installation in the technical rooms
- Optional with pH control and indication 7.0 – 7.8 pH
- Optional with redox control and indication 600 – 850 mV (ORP)
- Optional with remote control with cable extension
- Communication via MODBUS & PoolStation possible
- Self reduction indication in %
- Self-cleaning cell and indication
- Electrodes made of titan, durability 4000 – 5000 h
- Transparent cell with d63 solvent connection
- Operation temperature +15 – 40°C max.
- Power supply 230V AC 50/60 Hz
- Salt content 0.5 – 5 g/l (1.5-2 g/l recommended)

APPLICATION

Typ DOMOTIC LS	12 gr Cl ₂ /h	24 gr Cl ₂ /h
Pool volume m ³ m ³	50 m ³	80 m ³

Product	G-kg	PU	Prod.No.	Price €
DOMOTIC LOW SALT PH				
Salt Electrolysis System DOMOTIC LS 12G self cleaning 12 g chlorine/hour for private pools up to 50 m ³ operation at salt content less than 2 g/l	6.50	1.00	78787	2010.22
Salt Electrolysis System DOMOTIC LS 24G self cleaning 24 g chlorine/hour for private pools up to 80 m ³ operation at salt content less than 2 g/l	9.46	1.00	78788	2494.15
DOMOTIC LOW SALT PH				
Salt Electrolysis System DOMOTIC LS-PH 12G self cleaning with integrated PH-control 12 g chlorine/hour for private pools up to 50 m ³ operation at salt level less than 2g/l	7.00	1.00	78789	2618.25
Salt Electrolysis System DOMOTIC LS-PH 24G self cleaning with integrated PH-control 24 g chlorine/hour for private pools up to 80 m ³ operation at salt level less than 2g/l	8.74	1.00	78790	3089.77
DOMOTIC LOW SALT PH+REDOX				
Salt Electrolysis System DOMOTIC LS-PH-ORP 12G self cleaning with integrated PH-ORP control 12 g chlorine/hour for private pools up to 50 m ³ operation at salt content less than 2g/l	6.90	1.00	78791	3499.27
Salt Electrolysis System DOMOTIC LS-PH-ORP 24G self cleaning with integrated PH-ORP control 24 g chlorine/hour for private pools up to 80 m ³ operation at salt content less than 2g/l	10.92	1.00	78792	3970.79
DOSING SYSTEM				
Dosing set for salt electrolysis for TECNO, DOMOTIC and DOMOTIC LS models for pump flow rate 4 l/hour 1,5 bar	0.99	1.00	78786	325.12
ELECTRONIC BOARD				
MODBUS RTU communication set	0.10	0.00	75048	642.84



Plug to close an opening on page 317



PLEASE CONTACT US

Salt electrolysis systems for higher chlorine production for hotels or public pools available on request. Please get informed about your pool project and contact us. We will support you with the construction.



Salt electrolysis Neolysis + UV PH/REDOX

Self cleaning salt electrolysis system combined with UV lamps for private pool installations from 50–120 m³, operation with low salt concentration, less than 2 g/l chlorine/hour. Available with integrated PH and ORP control. This high quality salt electrolysis offers the highest standard of disinfection and sustainability with its combination of 2 technologies = low salt concentration and UV technology.

CHARACTERISTICS

- Compact design
- Optional with pH regulation and indication 7.0–7.8 pH
- Optional with REDOX regulation and indication 600–850 mV (ORP)
- Salt reduction indication in %
- PE cell with with various flange connection
- Self cleaning electrodes made of titanium and indication
- 4000 – 5000 h life-cycle of the cell, up to 13000 hrs for the UV lamp
- Operation temperature +15–40°C
- Power connection 230V AC 50–60 Hz
- Salt content 1–4 g/l (2g/l recommended)

Product	G-kg	PU	Prod.No.	Price €
NEOLYSIS + UV (1)				
Neolysis 12G salt electrolysis in combination with UV lamps 48W, 12 g chlorine/hour for private pools up to 50m ³ operation at less than 2 g/l	13.60	1.00	74757	4059.43
Neolysis 24G salt electrolysis in combination with UV lamps 56W, 24 g chlorine/hour for private pools up to 80m ³ operation at less than 2 g/l	13.90	1.00	74758	4561.68
Neolysis 32G salt electrolysis in combination with UV lamps 56W, 32 g chlorine/hour for private pools up to 120m ³ operation at less than 2 g/l	15.60	1.00	74759	4998.94
NEOLYSIS+UV+pH				
Neolysis-PH 12G salt electrolysis in combination with UV lamps 48W, 12 g chlorine/hour for private pools up to 50m ³ operation at less than 2 g/l	13.80	1.00	74760	4673.96
Neolysis-PH 24G salt electrolysis in combination with UV lamps 56W, 24 g chlorine/hour for private pools up to 80m ³ operation at less than 2 g/l	14.20	1.00	74761	5182.13
Neolysis-PH 32G salt electrolysis in combination with UV lamps 56W, 32 g chlorine/hour for private pools up to 120m ³ operation at less than 2 g/l	14.80	1.00	74762	5619.38
NEOLYSIS+UV+pH-ORP				
Neolysis-PH-ORP 12G salt electrolysis in combination with UV lamps 48W, 12 g chlorine/hour for private pools up to 50m ³ operation at less than 2 g/l	14.30	1.00	74763	5601.65
Neolysis-PH-ORP 24G salt electrolysis in combination with UV lamps 56W, 24 g chlorine/hour for private pools up to 80m ³ operation at less than 2 g/l	14.50	1.00	74764	6109.81
Neolysis-PH-ORP 32G salt electrolysis in combination with UV lamps 56W, 32 g chlorine/hour for private pools up to 120m ³ operation at less than 2 g/l	15.00	1.00	74765	6547.08
DOSING SYSTEM				
Dosing set for salt electrolysis for TECNO, DOMOTIC and DOMOTIC LS models for pump flow rate 4 l/hour 1,5 bar	0.99	1.00	78786	325.12



Plug to close an opening on page 317



Smart Aquasalt

Industrial salt in granular and tablets for Tecno and Domotic salt electrolysis, recommended quantity for the first fill of the pool 5 kg/m³. Example: Pool 8 x 4 x 1.5m = 48 m³ > 240 kg salt.

Product	G-kg	PU	Prod.No.	Price €
AQUASALT salt granulate, NaCl, 1 pal = 40 bags	25.00	1.00	74713	13.24
AQUASALT tablets, NaCl, 1 pal = 40 bags	25.00	1.00	74714	15.97

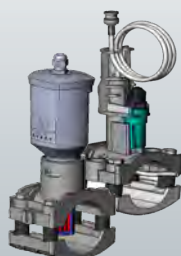
THOSE ON THE WINNER'S PODIUM

EVERYTHING UNDER CONTROL BY USING OUR SMART MEASURING AND CONTROL UNITS



SMART TURBOXY DUO

Chlorine and pH regulation as well as free chlorine measurement for an economic operation of private pool facilities.



Turboxy sensor and sensor holder 2 in 1

SMART POOL PARTNER

Real-time pool control about pH, redox value, temperature, conductivity and source of information for useful water treatment tips.



Values and alarms via App on mobile devices

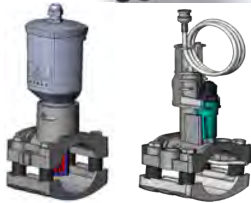
SMART UV-QUANTUM

Water hygiene was yesterday, Quantum is today. UV Quantum brings the Pool hygiene to a new level and ensures chemical savings through latest UV technology.

PHOTO CATALYSIS

TITAN HOUSING

95% REFLEXION



Turboxy sensor and sensor holder 2 in 1

NEW

WEB

CL PPM



PAN-TURBOXY mounted on a panel

Smart water treatment system TURBOXY Duo pH

- simultaneous control of pH-Wert and chlorine (ppm)
- indicates the chlorine value mg/l, the pH value at the same time
- proportional pH and chlorine dosage
- sensors are protected against electr. induced currents in the pool
- integrated pumps ph value 1,5l/h and chlorine 3l/h
- TURBOXY Duo incl. complete kit (2 in 1 sensor holder) for easy and quick installation
- PAN-TURBOXY Duo installed on a panel (58x38x17cm) incl. transparent cell and kit
-
- for pools up to max. 150m³

Product	G-kg	PU	Prod.No.	Price €
Smart water treatment system TURBOXY Duo pH 1,5 l/h Cl 3,0 l/h ppm (amperometric) Temp. free chlorine measuring incl. WEB connection, for private swimming pools pipe diamenter d50 & d63	4.92	1.00	7300332	2934.36
Smart water treatment system PAN-TURBOXY Duo pH 1.5 l/h Cl 3.0l/h ppm (amperometric) Temp. Free chlorine measurement incl. WEB connection, for private swimming pools and public pools, system mounted on panels	5.92	1.00	7300847	3676.67



CL ORP



Sensor holder 2 in 1

**WEB
VERSION**

Smart water treatment system PROpilot Duo pH Redox

- similar to TURBOXY Duo, chloring measuring but via Redox/ORP value
- integrated pumps ph-Wert 1,5l/h and chlorine 1,5l/h
- Propilot Duo incl. complete kit (2 in 1 sensor holder) for easy and quick installation
- Propilot Duo WEB incl. web interface, free access
- for pools up to max. 90 m³

Product	G-kg	PU	Prod.No.	Price €
Smart water treatment system PROpilot Duo pH Redox 1,5l/h pH minus and chlorine dosing, incl. 2 in 1 sensor holder, d50 & d63	2.00	1.00	7300333	1381.93
Smart water treatment system PROpilot Duo WEB pH Redox 1.5l/h pH minus and chlorine dosage, incl. 2 in 1 sensor holder, d50 & d63	4.92	1.00	7300848	1990.00



Smart pH control POOLeasy

- automatic control of pH-value or Cl (mV)
- adapts the dosage of the chemistry
- volumetric alarm, avoids the emptying of the chemistry container
- incl. complete kit (2 in 1 sensor holder) for easy and quick installation
- in case of sensor change at the same time easy swith from pH to ORP

Product	G-kg	PU	Prod.No.	Price €
Smart pH control POOLeasy incl. accessories set 2 in 1 sensor holder, pH-Sensor, pH 7, installation tool, up to 150m3	1.66	1.00	7300773	685.73
Smart ORP control POOLeasy incl accessories set 2 in 1 sensor holder, ORP sensor, calibration solution, installation tool, up to 80m3	1.66	1.00	7300774	703.49



Niveau sensor, lance for chemical container

Product	G-kg	PU	Prod.No.	Price €
Niveau sensor, lance for chemical container	0.53	1.00	7300775	136.34



Turboxy Accessories set

SPARE PARTS TURBOXY

Product	G-kg	PU	Prod.No.	Price €
Turboxy spare parts set incl. Copper probe, turbine wheel and cover	0.50	1.00	7300442	104.04
pH-Sensor for Smart water treatment systems	0.32	1.00	7300486	203.78
Redox Sensor für Smart water treatment systems	0.24	1.00	7300487	221.54
Buffer solution pH 7, 90ml	0.10	1.00	7300776	12.09
ORP buffer solution 475mV, 90ml	0.10	1.00	7300778	14.39
Hydraulic hose PVC transparent	0.50	1.00	7300779	13.74



Pool Basic EVO pH/Rx 1,5

pH / Redox control device IP65, dimensions 270x240x140, values visible on display, self-calibration, electrode-quality value, „HOLD“-operation,with all necessary accessories for an easy installation. Important : injection points not included

Product	G-kg	PU	Prod.No.	Price €
Pool Basic ECO pH/Rx, dosing pump 1,5l/	3.50	1.00	7300793	1654.58
Pool Basic ECO pH/Rx, dosing pump 5l/h	3.80	1.00	7300794	1869.15

NEW

Spare Parts

for Pool Basic EVO ph/Rx controls

Product	G-kg	PU	Prod.No.	Price €
Peristaltic hose, Santoprene AB 6x10 mm, connection 4x6 mm	0.12	1.00	7300795	20.43
pH-sensor, 2 - 14 pH, 6 bar, max. 60°C, 5 m cable	0.20	1.00	7300796	196.92
Redox-sensor, 1000mV, 6 bar, max. 60°C, 5m cable	0.20	1.00	7300797	211.78
Foot filter with ceramic weight, PP; max. 9 l/h, connection 4x6 mm	0.25	1.00	7300798	20.43
Injection valve, PP, connection 4x6 mm	0.10	1.00	7300799	27.12
Turnstile for pumps in the swimming pool area	0.10	1.00	7300800	21.91



Automatic PH Control

Automatic PH Control

Product	G-kg	PU	Prod.No.	Price €
Automatic PH Control	2.00	1.00	75075	666.52
Automatic PH Control + dosing pump	2.00	1.00	75076	796.52



ORP control

Automatic ORP control

Product	G-kg	PU	Prod.No.	Price €
Automatic ORP control	1.20	1.00	75077	737.44
Automatic ORP control + dosage pump	2.00	1.00	75078	914.70



Real-time information via App

Smart Pool Partner

The new Peraqua® Smart Pool Partner measures the pH value, the ORP/Redox value, the conductivity/TDS (salt concentration) and the pool temperature and transmits these values by wifi/bluetooth to your device. Recommendations for further water treatment are indicated, alarm in case of action required, made in the EU.

CHARACTERISTICS

- Low floating line (approx. 18mm), can also be used with pool covers
- Total height 150mm
- Incl. 4 sensores, pH, ORP/Redox, contactivity, temperature, „plug and play“
- Data as weather condtion, alkalinity, water hardness,...
- Longlasting, changeable sensores
- Steady control of water conditions
- Rechargeable battery via USB, 1 charge/season (approx. 8 months)
- Simple connection to the local wifi net and cell phone and tablet.
- Free download app
- Spare part service

Product	G-kg	PU	Prod.No.	Price €
Smart Pool Partner incl. pH, ORP/Redox, conductivity/TDS and temperature sensor	1.43	1.00	7300237	614.04



Smart SPA Partner incl. pH, ORP/Redox

Product	G-kg	PU	Prod.No.	Price €
Smart SPA Partner incl. pH, ORP/Redox, conductivity/TDS and temperature sensor	1.20	1.00	7300807	587.60



Smart Pool Partner incl. pH, ORP/Redox

Product	G-kg	PU	Prod.No.	Price €
Smart Pool Partner incl. pH, ORP/Redox, conductivity/TDS and temperature sensor	1.25	1.00	7300808	729.85



WiFi amplifier for Smart partner

Product	G-kg	PU	Prod.No.	Price €
WiFi amplifier for Smart partner	0.19	1.00	7300806	63.39



SPARE PARTS FOR SMART PARTNER

Product	G-kg	PU	Prod.No.	Price €
Replacement sensor pH for Smart partner	0.20	1.00	7300255	138.00
Replacement sensor ORP/Redox for Smart partner	0.15	1.00	7300256	154.00
Replacement sensor conductivity for Smart partner	0.10	1.00	7300257	154.00



95% REFLEXION

Smart UV-C water treatment

This water treatment was developed by latest state of the art know-how refering highly reflective reactor casing materials. This leads to 95% reflectivity (20 – 28% with common stainless steel) and inhibition of growth of micro-organisms.

- 100% sea and saltwater compatible
- Self-cleaning and repellent inner surface
- Digital UV lamp life cycle indication optional

Product	G-kg	PU	Prod.No.	Price €
Smart UV-C Water Treatment 55W	9.00	1.00	7300041	531.49
Smart UV-C Water Treatment 110W	10.18	1.00	7300042	956.68



PHOTO CATALYSIS

95% REFLEXION

TITAN INSIDE LINING

Smart Quantum Hybrid UV water treatment

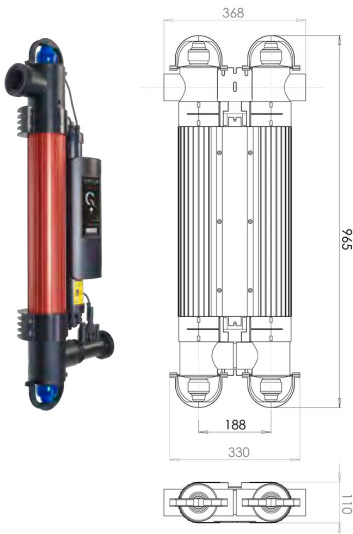
Smart Quantum produces crystal-clear hygienic pool water by Nano Crystal Technology; meaning that photocatalytic reaction produces additional oxidisers, which transforms organic substances as sun oil, biofilm and urea to their harmless molecular formation.

- Combined Photocatalytic & Hydroxyl Radical and UV technology
- Destroys bacteria, micro-organisms, pathogenic agents and viruses
- Significant reduction of chemistry consumption
- Seawater compatible
- Flow monitor included
- Control lamp for lamp exchange

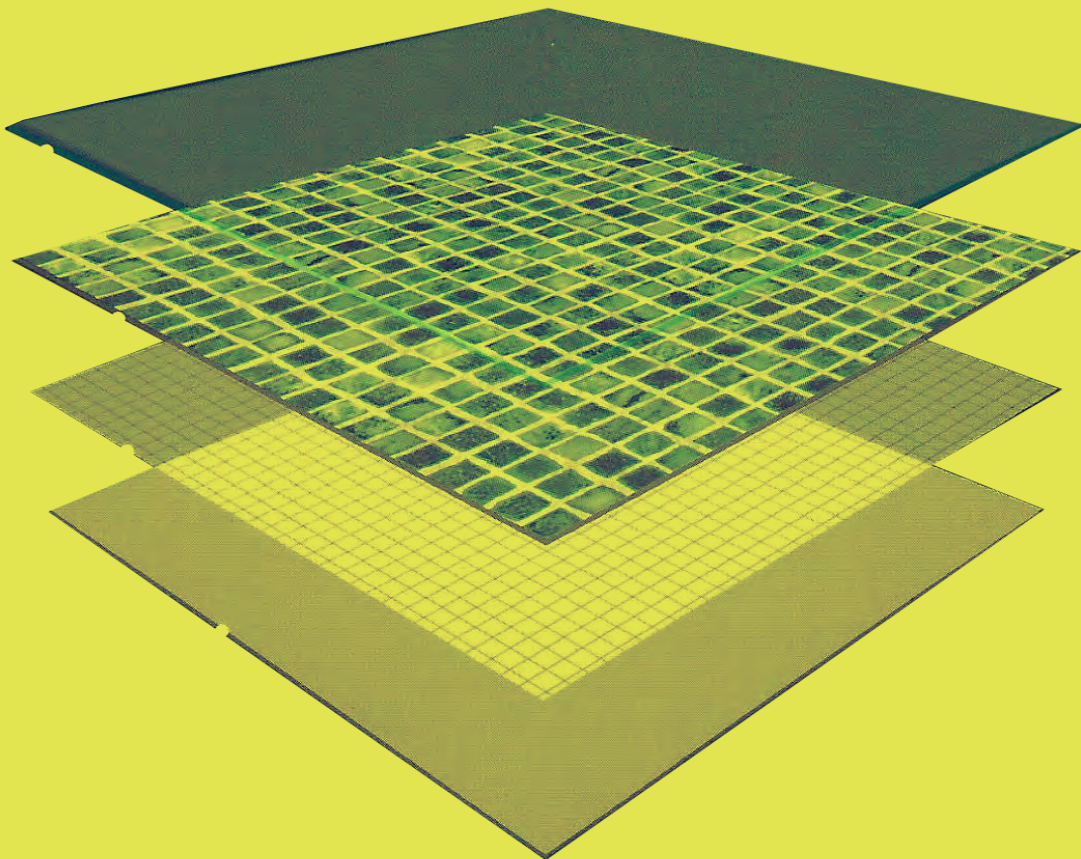
TECHNICAL DATA

- Voltage: 220 – 240 V, 50 – 60 Hz
- Max operation pressure: 3 bar
- Max flow single tube: 12 m³/h, 55 W lamp, pools up to 65 m³
- Max flow double tube: 24 m³/h, 2 x 55 W lamp, pools up to 130 m³
- Lamp life cycle: up to 14.000 h
- Protection code IP55
- Water connections: ABS solvent connection 2"/63 mm, incl. reduction for 1 1/2" or 50 mm

Product	G-kg	PU	Prod.No.	Price €
Smart Quantum Photocatalytic Water Treatment 55W	6.63	1.00	740104	1708.36
Smart Quantum Photocatalytic Water Treatment 110W	10.83	1.00	740105	2282.02
Quantum UV replacement lamp 55kW	0.53	1.00	7300337	99.93



Ocean® swimming pool liners
with 4-layer technology for special resistance



SWIMMING POOL LINERS & SMART POLYSTYRENE BRICKS

332 | Swimming pool liner

336 | Accessories

338 | Smart polystyrene bricks



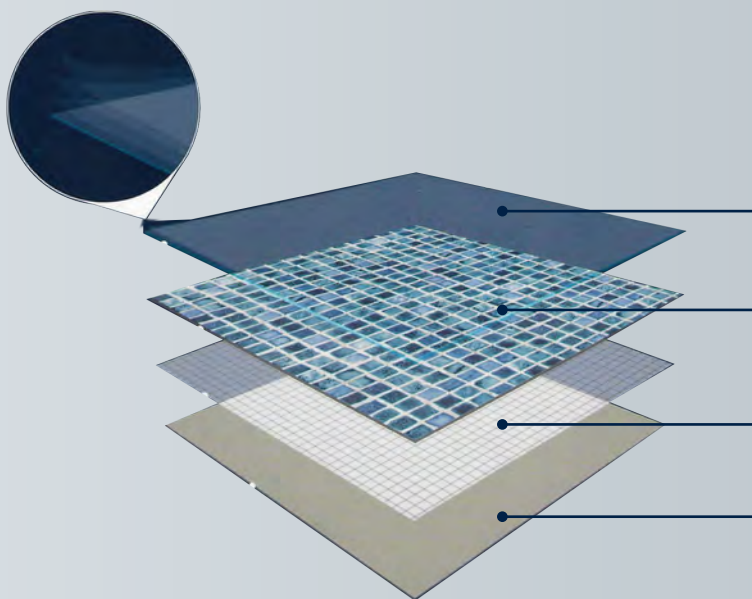
Customer pool: The Izzara, Jakarta – SINAR TEKNIK, Indonesia

EVERY POOL IT'S OWN COLOUR

OCEAN® SWIMMING POOL LINER WITH ACRYLIC COATING

Our Ocean® swimming pool liners are coated with acrylic. The material properties of the 4-layer and 1,5 mm thick, reinforced liners guarantee watertightness, color fastness and chlorine resistance over many many years.

The laying takes place on the pre-treated surface by hot air welding. The special Acrylic coating protects the liner optimal against UV radiation, stains, abrasion, and microorganism. Thus there is a perfect protection against the daily environmental influences, early aging and ensures a particularly easy care.



BASIC COMPOSITION OCEAN® SWIMMING POOL LINERS ACRYLIC

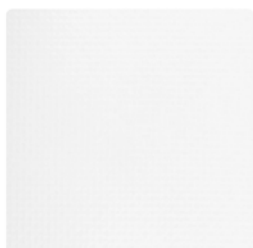
- 4. LAYER / TOP LAYER
Acrylic coating (4-layers) for increased abrasion resistance, stain and UV resistance
- 3. LAYER
PVC layer (75 mic), light-insensitive, printing pigments against color fading, anti-fungal function, chlorine and UV resistance
- 2. LAYER
Strong polyester mesh with extremely high dimensional stability
- 1. LAYER / LOWER LAYER
PVC layer (75 mic), anti-fungal function, chlorine and UV resistance

NF 15836-2
CERTIFICATION



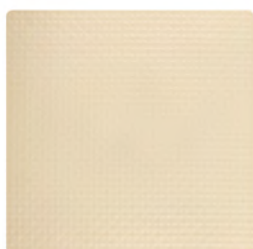
Ocean® swimming pool liners deluxe/ACRYL/anti-slip

1,5mm fabric reinforced, roll length 25m (anti-slip 5m), 12 rolls / palette, roll 1,65m = 41,25m² / roll 2,05m = 51,25m² / roll anti-slip = 8,25m² prices/m²



Ocean® swimming pool liner deluxe white

Product	G-kg	PU	Prod.No.	Price €
Ocean® swimming pool liner deluxe, 165 cm	2.00	41.25	77449	21.63
Ocean® swimming pool liner deluxe, 205 cm	1.83	51.25	77450	21.63
Ocean® ACRYL swimming pool liner deluxe, 165 cm	1.83	41.25	77431	24.50
Ocean® ACRYL swimming pool liner deluxe, 205 cm	1.83	51.25	78471	24.50
Ocean® swimming pool liner deluxe, 165 cm anti-slip	1.90	8.25	77437	37.93



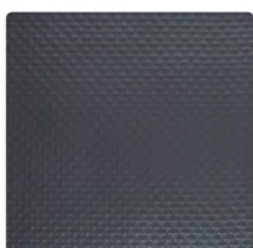
Ocean® swimming pool liner deluxe sand

Product	G-kg	PU	Prod.No.	Price €
Ocean® swimming pool liner deluxe, 165 cm	2.00	41.25	77447	21.63
Ocean® swimming pool liner deluxe, 205 cm	1.83	51.25	77448	21.63
Ocean® ACRYL swimming pool liner deluxe, 165 cm	1.83	41.25	77430	24.50
Ocean® ACRYL swimming pool liner deluxe, 205 cm	1.83	51.25	78480	24.50
Ocean® swimming pool liner deluxe, 165 cm anti-slip	1.90	8.25	77436	37.93



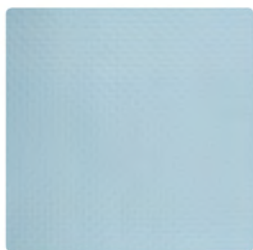
Ocean® swimming pool liner deluxe light grey

Product	G-kg	PU	Prod.No.	Price €
Ocean® swimming pool liner deluxe, 165 cm	2.00	41.25	77443	21.63
Ocean® swimming pool liner deluxe, 205 cm	1.83	51.25	77444	21.63
Ocean® ACRYL swimming pool liner deluxe, 165 cm	1.83	41.25	77428	24.50
Ocean® ACRYL swimming pool liner deluxe, 205 cm	1.83	51.25	78476	24.50
Ocean® swimming pool liner deluxe, 165 cm anti-slip	1.90	8.25	77434	37.93



Ocean® swimming pool liner deluxe dark grey

Product	G-kg	PU	Prod.No.	Price €
Ocean® swimming pool liner deluxe, 165 cm	2.00	41.25	77441	21.63
Ocean® swimming pool liner deluxe, 205 cm	1.83	51.25	77442	21.63
Ocean® ACRYL swimming pool liner deluxe, 165 cm	1.83	41.25	77427	24.50
Ocean® ACRYL swimming pool liner deluxe, 205 cm	1.83	51.25	78473	24.50
Ocean® swimming pool liner deluxe, 165 cm anti-slip	1.90	8.25	77433	37.93



Ocean® swimming pool liner deluxe light blue

Product	G-kg	PU	Prod.No.	Price €
Ocean® swimming pool liner deluxe, 165 cm	2.00	41.25	77445	21.63
Ocean® swimming pool liner deluxe, 205 cm	1.83	51.25	77446	21.63
Ocean® ACRYL swimming pool liner deluxe, 165 cm	1.83	41.25	77429	24.50
Ocean® ACRYL swimming pool liner deluxe, 205 cm	1.83	51.25	78477	24.50
Ocean® swimming pool liner deluxe, 165 cm anti-slip	1.90	8.25	77435	37.93



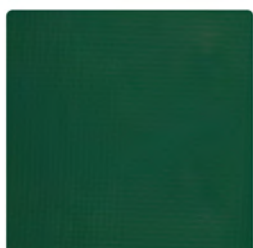
Ocean® swimming pool liner deluxe dark blue

Product	G-kg	PU	Prod.No.	Price €
Ocean® swimming pool liner deluxe, 165 cm	2.00	41.25	77439	21.63
Ocean® swimming pool liner deluxe, 205 cm	1.83	51.25	77440	21.63
Ocean® ACRYL swimming pool liner deluxe, 165 cm	1.83	41.25	77426	24.50
Ocean® ACRYL swimming pool liner deluxe, 205 cm	1.83	51.25	78472	24.50
Ocean® swimming pool liner deluxe, 165 cm anti-slip	1.90	8.25	77432	37.93



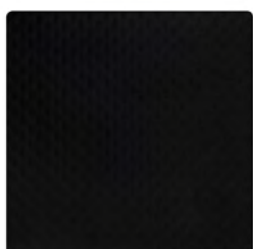
Ocean® swimming pool liner deluxe caribbean green

Product	G-kg	PU	Prod.No.	Price €
Ocean® swimming pool liner deluxe, 165 cm	2.00	41.25	77538	21.63
Ocean® swimming pool liner deluxe, 205 cm	1.83	51.25	77539	21.63
Ocean® ACRYL swimming pool liner deluxe, 165 cm	1.83	41.25	78478	24.50
Ocean® ACRYL swimming pool liner deluxe, 205 cm	1.83	51.25	78479	24.50
Ocean® swimming pool liner deluxe, 165 cm anti-slip	1.90	8.25	74206	37.93



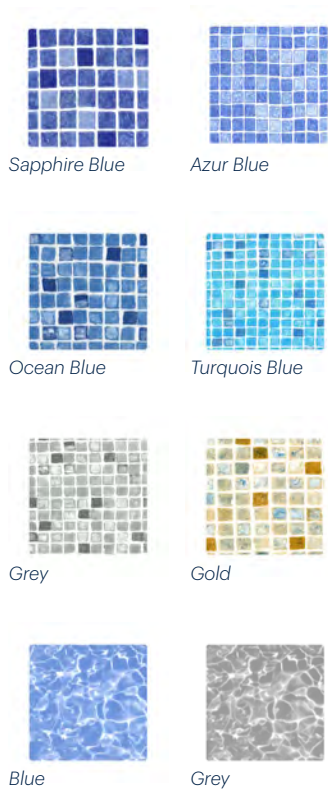
Ocean® swimming pool liner deluxe dark green

Product	G-kg	PU	Prod.No.	Price €
Ocean® swimming pool liner deluxe, 165 cm	2.00	41.25	78117	21.63
Ocean® swimming pool liner deluxe, 205 cm	1.83	51.25	78233	21.63
Ocean® ACRYL swimming pool liner deluxe, 165 cm	1.83	41.25	78474	24.50
Ocean® ACRYL swimming pool liner deluxe, 205 cm	1.83	51.25	78475	24.50



Ocean® swimming pool liner deluxe black

Product	G-kg	PU	Prod.No.	Price €
Ocean® swimming pool liner deluxe, 165 cm	2.00	41.25	77540	21.63
Ocean® swimming pool liner deluxe, 205 cm	1.83	51.25	77541	21.63
Ocean® ACRYL swimming pool liner deluxe, 165 cm	1.83	51.25	78481	24.50
Ocean® ACRYL swimming pool liner deluxe, 205 cm	1.83	51.25	78482	24.50



Sapphire Blue

Azur Blue

Ocean Blue

Turquoise Blue

Grey

Gold

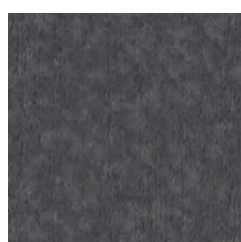
Blue

Grey

Ocean® ACRYL swimming pool liner deluxe mosaic & marble

1,5mm fabric reinforced, roll length 25m, 12 rolls / palette, roll 1,65m = 41,25m² prices / m

Product	G-kg	PU	Prod.No.	Price €
Ocean Acryl swimming pool liner deluxe fabric reinforced PVC 165 cm MOSAIC sapphire blue	2.00	41.25	75010	34.67
Ocean Acryl swimming pool liner deluxe fabric reinforced PVC 165 mm MOSAIC azur blue	2.00	41.25	75011	34.67
Ocean Acryl swimming pool liner deluxe fabric reinforced PVC 165 cm MOSAIC ocean blue	2.00	41.25	77438	34.67
Ocean Acryl swimming pool liner deluxe fabric reinforced PVC 165 cm MOSAIC turquoise blue	2.00	41.25	75012	34.67
Ocean Acryl swimming pool liner deluxe fabric reinforced PVC 165 cm MOSAIC grey	2.00	41.25	75013	34.67
Ocean Acryl swimming pool liner deluxe fabric reinforced PVC 165 cm MOSAIC gold	2.00	41.25	75014	34.67
Ocean Acryl swimming pool liner deluxe fabric reinforced PVC 165 cm MARBLE blue	2.00	41.25	75015	34.67
Ocean Acryl swimming pool liner deluxe fabric reinforced PVC 165 cm MARBLE grey	2.00	41.25	75016	34.67



Grey



Sand

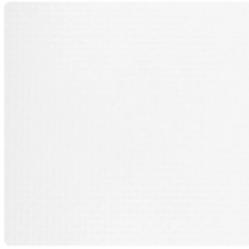
Silver

Ocean® swimming pool liner deluxe TOUCH

our exclusive TouchFlex designs make it possible to build or renovate pool with a water-proof 3D membrane. TouchFlex liners have an improved surface coating, which makes cleaning easier and the UV-protection is better. ToucFlex liners have 6 layers Acryl protection coating and are classified as B-anti-slip category prices / m²

Product	G-kg	PU	Prod.No.	Price €
Ocean® swimming pool liner deluxe TOUCH, 165 cm grey	2.00	41.25	740111	43.26
Ocean® swimming pool liner deluxe TOUCH, 165 cm sand	2.00	41.25	740112	43.26
Ocean® swimming pool liner deluxe TOUCH, 165 cm silver	2.00	41.25	7300457	43.26





White



Sand

Ocean® swimming pool liner deluxe Elva-Flex

the unique phthalate-free formula of the ElvaFlex was designed for extreme resistance against UV-irradiation, difficult weather conditions and destructive chemicals. With proper care and maintenance ElvaFlex keeps the resistance, fabric reinforced.

Product	G-kg	PU	Prod.No.	Price €
Ocean® Elvaflex swimming pool liner PVC white, thickness 1,5mm, width 165 cm l=25m roll	2.00	41.25	7300802	44.56
Ocean® Elvaflex swimming pool liner PVC sand, thickness 1,5mm, width 165 cm l=25m roll	2.00	41.25	7300318	44.56

WARRANTY 20 YEARS Waterproofing	WARRANTY 37°C Temp.
---	---

STAIN RESISTENT	CHLORINE LIGHTFASTNESS
NF 15836-2 CERTIFICATION	PUBLIC POOLS
PHTHALAT FREE	



Liquid PVC

for liner welding, 1l bottle,
serves to seal the seam and has no condensing function

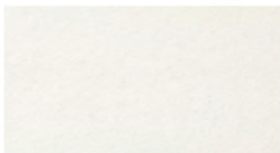
Product	G-kg	PU	Prod.No.	Price €
Ocean® Liquid-PVC, adriatic blue	1.20	1.00	77457	40.21
Ocean® Liquid-PVC, dark grey	1.20	1.00	77458	40.21
Ocean® Liquid-PVC, grey	1.20	1.00	77459	40.21
Ocean® Liquid-PVC, light blue	1.20	1.00	77460	40.21
Ocean® Liquid-PVC, sand	1.20	1.00	77461	40.21
Ocean® Liquid-PVC, white	1.20	1.00	77462	40.21
Ocean® Liquid-PVC, caribbean green	1.20	1.00	74205	40.21
Ocean® Liquid-PVC, transparent	1.20	1.00	78091	40.21



Griffon® M-385 glue for liners

For small repairs, technical data sheet on demand

Product	G-kg	PU	Prod.No.	Price €
Glue for PVC liner für 250 ml	0.27	0.00	78555	19.74



Ocean® swimming pool fleece

special net prices from 10 pallets on request, Ocean® swimming pool liner systems incl. accessories, as PVC liquid film an fleece, are optimally matched to each other, therefore we recommend the use in the system to avoid negative interactions

price/m²

Product	G-kg	PU	Prod.No.	Price €
Ocean® swimming pool fleece OCEANCOAT 450				
Ocean® Swimming Pool Fleece OCEANCOAT 450, 200 cm	0.45	100.00	77456	7.93
Ocean® Swimming Pool Fleece OCEANCOAT 450, 165 cm	0.45	82.50	77455	7.93
Ocean® swimming pool fleece OCEANCOAT 400				
Ocean® Swimming Pool Fleece OCEANCOAT 400 (l=50 m), 200 cm	0.40	100.00	77454	9.68
Ocean® Swimming Pool Fleece OCEANCOAT 400 (l=50 m), 165 cm	0.40	82.50	77453	9.68
Ocean® swimming pool fleece OCEANCOAT 300T				
Ocean® Swimming Pool Fleece OCEANCOAT 300 (l=100 m), 200 cm	0.30	200.00	77452	4.24
Ocean® Swimming Pool Fleece OCEANCOAT 300 (l=100 m), 165 cm	0.30	165.00	77451	4.24
Ocean® Swimming Pool Fleece OCEANCOAT 300 (l=50 m), 165 cm	0.30	82.50	74834	4.24



Ocean® coated steel sheet

0,8 mm, one side OVC coated, light grey, 200 × 100 mm
price / m²

Product	G-kg	PU	Prod.No.	Price €
Ocean® metal sheets	6.10	100.00	77606	73.88



Ocean® steel angles

Inner or outer coating

Price/2m

Product	G-kg	PU	Prod.No.	Price €
Sheet steel angle 90°, 50x50x2000 mm, outside coating grey	1.09	1.00	74835	23.58
Sheet steel angle 90°, 70x40x2000 mm, outside coating grey	1.09	1.00	74836	23.58
Sheet steel angle 90°, 80x20x2000 mm, outside coating grey	1.08	1.00	74837	23.58
Sheet steel angle 90°, 50x20x2000 mm, outside coating grey	0.76	1.00	74838	18.65
Sheet steel angle 90° 50x50x2000 mm, inside coating, grey	1.09	1.00	74839	23.58
Sheet steel angle 90° 80x20x2000 mm, inside coating, grey	1.09	1.00	74840	23.58
Sheet steel angle 90° 50x20x2000 mm, inside coating, grey	0.66	1.00	74841	18.65
Steel sheet one-side coated, 50x2000 mm, grey	0.37	1.00	74843	12.86



Ocean® drive fastener for metal sheets

Al/A2, 4.8 x 25 mm, clamping area 20.5 – 22.0 mm

Product	G-kg	PU	Prod.No.	Price €
Ocean® Nails for coated steel sheets	0.01	250.00	78085	0.85



Express nails

60 x 30, 100 pcs

Product	G-kg	PU	Prod.No.	Price €
Express nails	0.33	100.00	75001	16.11



Spray bottle

250 cm³ and 500 m³

Product	G-kg	PU	Prod.No.	Price €
Spray bottle 250 cm ³	0.08	1.00	75003	8.50
Spray bottle 500 cm ³	0.05	1.00	75004	11.35



Smart polystyrene brick H= 300

Product	G-kg	PU	Prod.No.	Price €
Smart polystyrene brick H=300 mm, exkl. endbrick, quality EPS 25 formate 1000x250x300 mm	1.40	1.00	78840	13.95



Smart polystyrene insertion brick 300

Product	G-kg	PU	Prod.No.	Price €
Smart polystyrene end brick	0.00	1.00	78865	1.19



Smart polystyrene brick, H=500mm

Product	G-kg	PU	Prod.No.	Price €
Smart brick stone EPS25, 1250x250x500	1.91	20.00	7300731	25.60



Smart polystyrene insertion brick 500

Product	G-kg	PU	Prod.No.	Price €
Smart polystyrene wedge	0.01	639.00	7300732	0.99



Smart Floor board for polystyrene brick

Product	G-kg	PU	Prod.No.	Price €
Smart Floor board for polystyrene brick EPS 35 white, 1000x500x50 P + recess quality EPS 40 +/- 10% white	0.83	1.00	78094	29.92

TABLE FOR QUANTITY CALCULATION

Table for quantity calculation Smart brick stones 1000x250x300 mm EPS 25

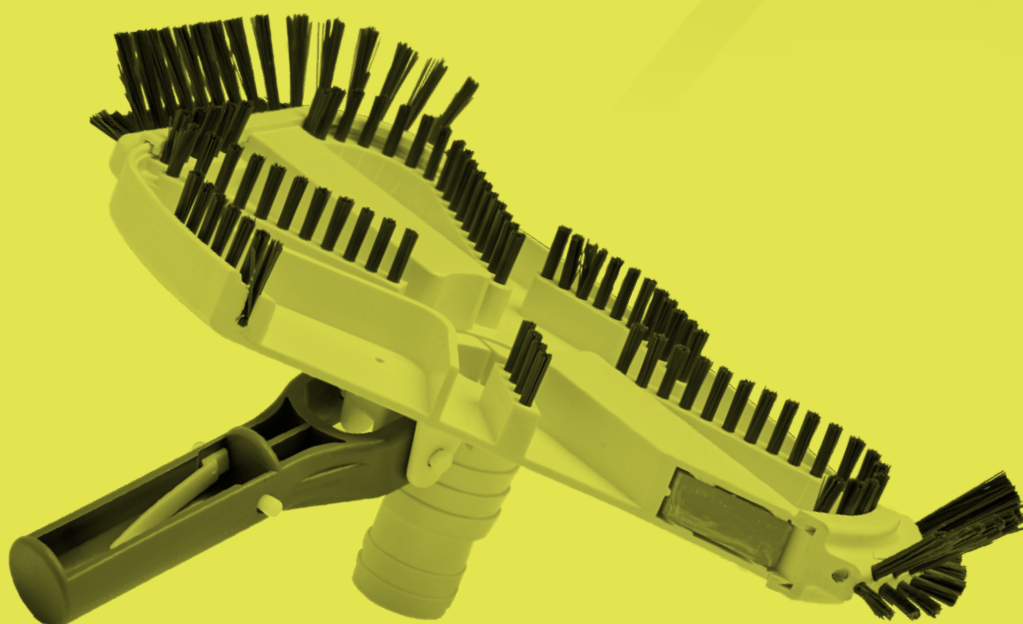
Pool size in m BxHxT	approx. required brick quantity	required quantity end blocks	approx. required quantity clamp seam board	liner in m ² without stairs	edge m
5 x 3 / 1,50	85	20	25,5	40,5	16
5 x 3,5 / 1,50	90	20	27,0	44,5	17
5 x 4 / 1,50	95	20	28,5	48,5	18
6 x 3 / 1,50	95	20	28,5	46,5	18
6 x 3,5 / 1,50	100	20	30,0	51	19
6 x 4 / 1,50	105	20	31,5	55,5	20
7 x 3 / 1,50	105	20	31,5	52,5	20
7 x 3,5 / 1,50	110	20	33,0	57,5	21
7 x 4 / 1,50	115	20	34,5	62,5	22
8 x 3,5 / 1,50	120	20	36,0	64	23
8 x 4 / 1,50	125	20	37,5	69,5	24
9 x 4 / 1,50	135	20	40,5	76,5	26
9 x 5 / 1,50	145	20	43,5	88,5	28
10 x 4 / 1,50	145	20	43,5	93,5	28
10 x 5 / 1,50	155	20	46,5	96,5	30

Ocean® leaf skimmer deluxe
with integrated dirt collection flaps

page 344



**DESIGNED
ENGINEERED &
MADE IN AUSTRIA**



THE PATENTED ORIGINAL
Ocean® vacuum cleaner deluxe

page 345

CLEANING & WATER TREATMENT

265 | Cleaning Accessories Ocean® deluxe

352 | Cleaning Accessories Smart

361 | Poolwater treatment

364 | Water testing

CLEANING ACCESSORIES FROM A-TO-Z



Impurities arrive consciously and unconsciously in the pool through every user. Due to size, consistency or other properties larger impurities like e.g. leaves cannot neither be removed through the filter nor through other water treatment steps. For such "problems" our high quality Ocean® accessories range for pool floor, walls and edges come into operation.

If it comes to manual or automatic pool cleaning accessories Peraqua® calls attention to a perfect and economic care on different pool types.

Ocean®

AUSTRIA **INNOVATION**
SUPERIOR
PRECISION
INGENIERIE
INDUSTRIE

Design, development and production in Austria – the Ocean® deluxe cleaning accessories system stands for quality at the highest level.

The outstanding design goes hand in hand with developed product features. Thus shortens the Ocean® deluxe vacuum cleaner your working time through clever located side brushes.

5 years full guarantee on body and frame break and 10 years spare parts deliver guarantee for selected Ocean® products.





smart

Smart by Peraqua stands for intelligent and innovative pool cleaning accessories designed and developed in Austria.

We call our attention to a nice-looking design and a good functionality, the production process is monitored and strictly.



The Smart Pool Cleaning Accessory line will be delivered to our customer in multilingual packaging for optimal presentation.



Ocean® leaf skimmer deluxe

Frame made of reinforced PPGF, UV-resistant, with extra strong net, integrated dirt collection flaps and flat frame design, 45 x 34 cm

Product	G-kg	PU	Prod.No.	Price €
Leaf Skimmer Ocean De Luxe PP blue loose packing	0.39	25.00	170343A	13.60



Ocean® leaf rake deluxe

Frame made of reinforced PPGF, UV-resistant, with extra finely woven and extra deep net, integrated dirt collection flaps and flat frame design, 45 x 35 cm

Product	G-kg	PU	Prod.No.	Price €
Leaf Rake Ocean De Luxe PP blue loose packing	0.36	25.00	170341A	19.20



Ocean® wall brush deluxe

Made of PPGF, robust and UV-resistant body, resistant, chlorine resistant bristles 44 cm

Product	G-kg	PU	Prod.No.	Price €
Wall brush Ocean standard PP white 42cm loose packing	0.30	20.00	170259	12.60



Ocean® corner brush deluxe

Robust PPGF body, hose connection (d38), special cleaning bristles for steps and white goods for optimal cleaning of pool corners

Product	G-kg	PU	Prod.No.	Price €
Corner Brush Ocean PP white loose packing	0.10	50.00	170311	10.36



Ocean® hand brush and hand scrubber deluxe

Robust PPGF body, UV-resistant, ergonomic handle, for quick cleaning of water level stains

Product	G-kg	PU	Prod.No.	Price €
Handy brush PP white loose packed	0.16	40.00	170554	7.90
Handscrubber De Luxe PP white loose packed	0.16	80.00	170605	6.50



Ocean® hand scrubber

Blue, loose packing, in PE foil

Product	G-kg	PU	Prod.No.	Price €
Handscrubber Ocean blue, double pack, loose packed	0.05	48.00	70209	7.06



Ocean® vacuum cleaner head deluxe – the patented ORIGINAL!

Swivelling pool hose connection (d32/d38), extremely robust ABS body, UV resistant, robust floor and side brushes, optional without side brushes, recommended for liner, tile and polyester pools up to 12 x 6 m

Product	G-kg	PU	Prod.No.	Price €
Vacuum Head Ocean Vac Standard Ocean single packing	1.10	10.00	170240	29.79
Vacuum Head Ocean Vac De Luxe, incl. side brushes, Ocean single packing	1.35	10.00	170486	35.10



Ocean® Manual VAC head deluxe

heavy type, standard handle
Body made of anodized aluminium, floor brushes and rubber lips for optimal suction, 4 wheels, flexible suction connection (d38), for cleaning of large tile and mosaic pools up to 20 x 10 m, 35 and 45 cm

Product	G-kg	PU	Prod.No.	Price €
Vacuum Head Ocean Vac heavy construction silver anodized 35cm Ocean single packing	2.63	1.00	75587	49.60
Vacuum Head Ocean Vac heavy construction silver anodized 40cm	3.45	1.00	75588	62.90



Ocean® pool thermometer

UV-resistant floating ring, well readable temperature scale (0 up to +43) , temperature sensor, nylon cord for fixing on pool edge, with customized face for min. quantity of 1.000 pcs per year

Product	G-kg	PU	Prod.No.	Price €
Pool-Thermometer d= 18 cm blue	0.51	1.00	70927	38.60



Ocean® Chlorine dispenser deluxe

Transparent lid, integrated adjustment ring for optimal dosage, nylon cord for fixation, UV resistant, capacity: 900 g chlorine tab

Product	G-kg	PU	Prod.No.	Price €
Chlorine Dispenser Ocean type "B" blue 12 pcs/package	0.52	12.00	170048	9.95

Ocean® 2-parts



Ocean® 3-parts



Ocean® aluminium telescopic rod deluxe, 2- and 3-parts

Excenter length adjustment, ergonomic soft hand grips, patented system for easy fixing of Ocean and Smart cleaning accessories, protection against injuries, 1,1 mm wall thickness for long life cycle
 2-part: 1.8–3.6 m; 2.4–4.8 m; 3.75–7.5 m;
 3-part: 1.2–3.6 m; 1.8–4.8 m

Product	G-kg	PU	Prod.No.	Price €
Telescopic Rod 2-parts alu silver anodized 1,8 - 3,6m Ocean single packing	1.25	10.00	170003	30.10
Telescopic Rod 2-parts alu silver anodized 2,4 - 4,8m Ocean single packing	1.60	10.00	170004	35.30
Telescopic Rod 2-parts alu silver anodized 3,75 - 7,5m Ocean single packing	2.30	10.00	170025	71.00
Telescopic rods 3 parts alu silver anodized 1,2 - 3,6m Ocean- single packing	1.02	10.00	170005	37.50
Telescopic rods 3 parts alu silver anodized 1,8 - 4,8m Ocean- single packing	1.52	10.00	170006	41.80



Ocean® wall holder set deluxe

For storage of telescopic rods

Product	G-kg	PU	Prod.No.	Price €
Wall Holder De Luxe for telescopic rod	0.16	50.00	75743	7.69



Ocean® pool hose deluxe d38 1 1/2"

Extremely durable material, UV resistant, with two integrated sockets, one socket 360° swivelling, packed in strong boxes, lengths: 8, 9, 10, 12, 15, 20 and 30 m

Product	G-kg	PU	Prod.No.	Price €
Swimming Pool Hose Ocean with elastic socket d=38mm blue l=8 m	2.38	1.00	77072	22.50
Swimming Pool Hose Ocean with elastic socket d=38mm blue l=9 m	2.52	1.00	72629	24.90
Swimming Pool Hose Ocean with elastic socket d=38mm blue l=10 m	2.98	1.00	73600	26.80
Swimming Pool Hose Ocean with elastic socket d=38mm blue l=12 m	3.20	1.00	72630	31.60
Swimming Pool Hose Ocean with elastic socket d=38mm blue l=15 m	4.56	1.00	72631	39.90
Swimming Pool Hose Ocean with elastic socket d=38mm blue l=20 m	4.80	0.00	77081	71.03
Swimming Pool Hose Ocean with elastic socket d=38mm blue l=30 m	6.86	1.00	77082	102.56



Symbol image

Ocean® pool hose deluxe d 38 1/2" reinforced

Extremely durable plastic, UV-resistant with 2 fixed socket, packed in solid cartons, lengths: 9, 10, 12, 15 m

Product	G-kg	PU	Prod.No.	Price €
Swimming pool hose with 2 fixed sockets d=38mm white l=9m, packed in white box	2.70	1.00	7300472	44.09
Swimming pool hose with 2 fixed sockets d=38mm white l=10m, packed in white box	3.20	1.00	7300473	48.01
Swimming pool hose with 2 fixed sockets d=38mm white l=12m, packed in white box	3.40	1.00	7300474	56.83
Swimming pool hose with 2 fixed sockets d=38mm white l=15m,packed in white box	4.70	1.00	7300475	69.56



Ocean® pool hose deluxe d38 and d32

Extremely durable material, UV-resistant, socket distance 1.5 m (ø38) or 1.1 m (ø32), for demanded trimming, packed in waterproof and tearproof PE bags

Product	G-kg	PU	Prod.No.	Price €
Swimming Pool hose socket distance d 1,1m d32 PE white l=50,6 m single packed	0.18	50.60	75598	3.27
Swimming Pool Hose socket distance 1,1m d32 PE blue l=50,6 m single packed	0.18	50.60	75597	3.27
Swimming Pool Hose ECO socket distance 1,5m d38 PE white l=100 m single packed	0.19	100.00	70010A	2.35
Swimming Pool Hose ECO socket distance 1,5m d38 PE blue l=100 m single packed	0.20	100.00	70128a	2.35
Swimming Pool Hose socket distance 1,5m d38 PE green l=100 m single packed	0.23	100.00	74258	4.94



Ocean® pool hose deluxe d38 1/2"

Extremely UV and low pressure resistant and durable material, socket distance 0.5 m for demanded trimming, packed in waterproof and tearproof PE bags

Product	G-kg	PU	Prod.No.	Price €
Swimming Pool Hose socket distance 0,5 m, d38 PE black l=50 m single packed	0.21	50.00	71921	4.94



Ocean® hose clip 30–45mm

For pool hose deluxe/eco d38/d38

Product	G-kg	PU	Prod.No.	Price €
Hose Clip metal 30-45 / 9 mm	0.03	100.00	50187	1.02



Ocean® hose nozzle

For optimal connection to Ocean® pool hose d32 or d38

Product	G-kg	PU	Prod.No.	Price €
Hose Nozzle double d=32mm PP white loose packing	0.02	500.00	150244	1.91
Hose Nozzle double d=38mm PP white loose packing	0.03	500.00	150245	1.98



Ocean® hose nozzle set d32/38

For optimal connection to Ocean® pool hose d32 or d38

Product	G-kg	PU	Prod.No.	Price €
Hose Nozzle double D=32/38 PP white, loose packing	0.02	500.00	150209	1.98



Ocean® t-piece hose nozzle, black, d38

For optimal connection to Ocean® pool hose

Product	G-kg	PU	Prod.No.	Price €
T-piece black D38 hose connection loose packed	0.05	100.00	71001	3.27



Ocean® hose nozzle 90° d40, black

d40 x 1 1/2" male thread

Product	G-kg	PU	Prod.No.	Price €
Hose Nozzle 90° d40 PP grey hose nozzle / male thread R 1 1/2"	0.05	5.00	70025	4.57



Hose nozzle for ball valve S6

Product	G-kg	PU	Prod.No.	Price €
Hose Nozzle for ball valve S6 DN40 ABS white 38	0.06	100.00	150131	3.19



Hose nozzle/female thread R 1 1/2"

Product	G-kg	PU	Prod.No.	Price €
Hose Nozzle d=39mm ABS white hose nozzle/female thread R 1 1/2"	0.04	100.00	150322	3.19



Hose nozzle/male thread R 1 1/2"

Product	G-kg	PU	Prod.No.	Price €
Hose Nozzle d=39mm ABS white male thread R 1 1/2" BSP loose packed	0.04	500.00	150217	1.37
Hose Nozzle d=39mm ABS black male thread R 1 1/2" BSP loose packed	0.04	500.00	150268	2.28



Hose nozzle solvent

Product	G-kg	PU	Prod.No.	Price €
Hose Nozzle d=39mm ABS white solvent 50mm loose packed	0.03	500.00	150218	1.37
Hose Nozzle d=41,5mm ABS white solvent 48,4 loose packed	0.03	500.00	150229	1.37



Hose nozzle staged solvent

Product	G-kg	PU	Prod.No.	Price €
Hose Nozzle d=32/38mm stepped ABS white solvent 50mm loose packed	0.04	500.00	150258	3.19
Hose Nozzle d=32/38mm stepped ABS white solvent 48,4 loose packed	0.03	500.00	150259	3.19



Hose nozzle staged male thread R 1 1/2"

Product	G-kg	PU	Prod.No.	Price €
Hose Nozzle d=32/38mm stepped ABS white male thread R 1 1/2" NPT loose packed	0.04	500.00	150317	3.19
Hose Nozzle d=32/38mm stepped ABS white male thread R 1 1/2" BSP loose packe with O-ring	0.05	250.00	150318	3.19



Ocean® automatic vacuum cleaner VAC 2FUN

Currentless and silent operation, easy handling, recommended for pools up to 10x5 m, all pool types

Product	G-kg	PU	Prod.No.	Price €
Vacuum head Ocean Vac 2 fun incl. wheels for liner pools Ocean-single packing	6.19	1.00	71998	410.00



Ocean® automatic vacuum cleaner 4FUN PR

with integrated dirt bag
Can be installed with standard filter pumps, incl. special hose 12 m length

Product	G-kg	PU	Prod.No.	Price €
Vacuum Head Ocean Vac 4Fun PR with wheels for all pools Ocean single packing, automatic pressure vac	7.76	20.00	74041	460.00



Brush kit for vacuum head Ocean Vac

Product	G-kg	PU	Prod.No.	Price €
Brush kit for vacuum head Ocean Vac	0.60	1.00	73389	111.27



Holder for hose Ocean Vac

Product	G-kg	PU	Prod.No.	Price €
Holder for hose Ocean Vac 2FUN / 4FUN	1.45	10.00	75737	115.55



Safety Valve for Ocean Vac 4FUN/2FUN

Product	G-kg	PU	Prod.No.	Price €
Safety Valve for Ocean Vac 4FUN/2FUN	0.31	10.00	72597	78.25



TS floor and wall vacuum cleaner

Cord length 16.7 m, suction power 17 m³/h, speed 18 m/min, 220V, without remote control, for pools up to 6x12 m, for floor, wall and water line cleaning

Product	G-kg	PU	Prod.No.	Price €
TS floor vac with PVC brushes, 17 m ³ /h, velocity 18m/min, 220V	15.38	1.00	740182	1810.61
TS floor vac with foam rolls, 17 m ³ /h, velocity 18m/min, 220V	18.11	1.00	740183	1810.61



Caddy for TS

Product	G-kg	PU	Prod.No.	Price €
Caddy for TS	8.10	1.00	740184	201.29



Foam roll for TS

Recommended for polyester and stainless steel pools

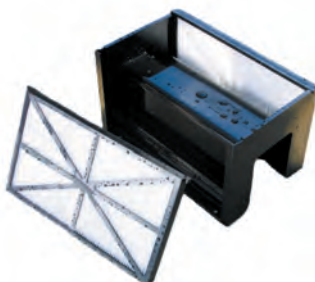
Product	G-kg	PU	Prod.No.	Price €
Foam roll for TS	0.39	1.00	7300064	54.15



PVC knobs brush for TS

for liner pools

Product	G-kg	PU	Prod.No.	Price €
PVC knobs brush for TS	0.49	1.00	7300093	72.23



Cartridge for TS

for rough dirt, cleaning at the beginning of the pool season, fleece material, 740185

Product	G-kg	PU	Prod.No.	Price €
Cartridge for TS	0.10	1.00	740185	37.66
Replacement cartridge for TS, standard, paper filter fine	0.00	2.00	7300859	0.00



Smart leaf skimmer blue

Product	G-kg	PU	Prod.No.	Price €
Smart Leaf Skimmer blue Standard PP-GFK single packed	0.25	12.00	78701	7.58



Smart leaf skimmer blue, heavy duty

Smart heavy duty aluminium leaf skimmer blue, PP-GFK with nylon net, single packed

Product	G-kg	PU	Prod.No.	Price €
Smart heavy duty aluminium leaf skimmer blue, PP-GFK with nylon net, single packed	8.20	24.00	7300610	17.29



Smart leaf rake blue

Product	G-kg	PU	Prod.No.	Price €
Smart Leaf Rake PP-GFK blue single packed	0.23	12.00	78700	10.30



Smart leaf rake, heavy duty

Smart heavy duty aluminium leaf rake blue, PP-GFK with nylon net, single packed

Product	G-kg	PU	Prod.No.	Price €
Smart heavy duty aluminium leaf rake blue, PP-GFK with nylon net, single packed	4.90	12.00	7300611	28.74



Smart leaf skimmer

With 4-part telescopic aluminium rod, 140cm

Product	G-kg	PU	Prod.No.	Price €
Smart Skimmer with 4-parts alu rod PP-GFK blue single packed	0.63	12.00	78711	17.01



Smart leaf skimmer (TELE)

With 3 x 60 cm telescope function, high quality PE net

Product	G-kg	PU	Prod.No.	Price €
Smart skimmer with 3x60 cm telescopic function	0.44	1.00	74726	20.11



Smart wall brush

With soft plastic bristles for liner and tile pools, 12.7cm / 5", blue

Product	G-kg	PU	Prod.No.	Price €
Smart Pool Brush short PP blue single packed, 13 cm/5" unbreakable	0.10	48.00	78846	8.08



Smart wall brush

45 cm/18", blue

Product	G-kg	PU	Prod.No.	Price €
Smart Wall Brush blue Standard PP-GFK 45 cm/18" single packed	0.27	12.00	78703	10.30



Smart wall brush

26 cm/10", blue

Product	G-kg	PU	Prod.No.	Price €
Smart Wall Brush blue Standard PP-GFK 26 cm/10" single packed	0.23	12.00	78702	7.99



Smart wall brush blue, heavy duty

Smart heavy duty aluminium wall brush, PP-GFK blue, 45 cm/18", single packed

Product	G-kg	PU	Prod.No.	Price €
Smart heavy duty aluminium wall brush blue, PP-GFK, 45 cm/18", single packed	4.70	12.00	7300612	18.26



Smart wall brush "whale type"

45 cm / 18", blue
For spine friendly pool wall cleaning

Product	G-kg	PU	Prod.No.	Price €
Smart Wall Brush "Wal Type" W PP blue 45 cm/18"	0.92	12.00	78714	51.51



Smart wall brush "Wal Type"

50 cm / 20", blue
For spine friendly pool wall cleaning

Product	G-kg	PU	Prod.No.	Price €
Smart Wall Brush "Wal Type" large PP blue 20"	1.38	8.00	78729	61.43



Smart hand brush

With ergonomic soft touch handle, blue/white/grey

Product	G-kg	PU	Prod.No.	Price €
Smart hand brush with ergonomic soft touch handle, blue/white/grey	0.29	48.00	78848	9.66



Smart corner brush white

Product	G-kg	PU	Prod.No.	Price €
Corner brush Smart PP white single packed	0.12	6.00	78904	8.33



Smart algae brush heavy duty, blue, PP, 5"/13 cm or 10"/25,5 cm

Product	G-kg	PU	Prod.No.	Price €
Smart heavy duty algae brush blue, PP, 5"/13 cm, single packed	9.50	48.00	7300613	14.04
Smart heavy duty algae brush blue, PP, 10"/25,5 cm, single packed	7.20	24.00	7300614	17.49

Smart hand scrubber light



Product	G-kg	PU	Prod.No.	Price €
Smart Hand Scrubber light single packing	0.07	24.00	78712	4.71

Smart dirt rubber

White, size: 12 x 7 x 3 cm, 10 pcs/package, for removal of watermarks



Product	G-kg	PU	Prod.No.	Price €
Smart eraser (1 pack = 10 pcs.)	0.03	10.00	75021	25.60

Smart aluminium rod 2 x 1.8 m, silver



Smart



Ocean®

Product	G-kg	PU	Prod.No.	Price €
Smart Alu Telescopic Rod 2x1,8 m 2-parts alu silver anodized 1,8 - 3,6m single packed, with handles	1.25	12.00	78722	26.28
Telescopic Rod 2-parts alu silver anodized 1,8 - 3,6m Ocean single packing	1.25	10.00	170003	30.10
Smart Alu Telescopi Rod 2x2,4 m 2-parts alu silver anodized 2,4 - 4,8m single packed with handles	1.42	12.00	78731	31.19
Telescopic Rod 2-parts alu silver anodized 2,4 - 4,8m Ocean single packing	1.60	10.00	170004	35.30

Smart aluminium telescopic rod deluxe, 3-parts

Excenter length adjustment, ergonomic soft hand grips, lengths: 3 x 1,200 mm; 3 x 1,600 mm



Smart



Ocean®

Product	G-kg	PU	Prod.No.	Price €
Teleskopisk Rod 3-parts alu silver anodized single packing 3x1200 mm	0.87	12.00	78871	28.15
Telescopic rods 3 parts alu silver anodized 1,2 - 3,6m Ocean- single packing	1.02	10.00	170005	37.50
	0.83	12.00	78872	39.02
Telescopic rods 3 parts alu silver anodized 1,8 - 4,8m Ocean- single packing	1.52	10.00	170006	41.80



Smart pool caddy

For safe and clear storage of Ocean® and Smart pool cleaning accessories, for wall fastening incl. mount for Ocean® telescopic rods.

Product	G-kg	PU	Prod.No.	Price €
Smart pool Caddy for wall-mounting	0.52	12.00	78297	34.78



Smart floor vac head

With vacuum adjustment and side brushes, white/blue

Product	G-kg	PU	Prod.No.	Price €
Smart Vac Head blue single packed with side brushes	1.25	12.00	78708	24.76



Smart floor vac head

With vacuum adjustment, no side brushes, white/blue

Product	G-kg	PU	Prod.No.	Price €
Smart Vac Head white single packed	1.25	12.00	78738	23.46



Smart floor vac head

With vacuum adjustment, white/blue

Product	G-kg	PU	Prod.No.	Price €
Smart Vac Head single packed white-blue	0.92	6.00	78709	20.23



Smart Vac Head single packed white-blue

Product	G-kg	PU	Prod.No.	Price €
Smart floor vac with lateral brushes	1.17	1.00	74767	23.52



Smart floor vac head triangle

With brushes and swivelling hose connection, blue

Product	G-kg	PU	Prod.No.	Price €
Smart Triangle Vac Head with brushes blue, single packed with swivelling connection	1.20	6.00	78730	28.00



Smart floor vac head triangle flex

Better cleaning of pool edges because of flex body and brushes, blue

Product	G-kg	PU	Prod.No.	Price €
Smart Flex Triangle Vac Head blue-transparent single packed	0.90	6.00	78704	18.99



Smart floor vac head TRI deluxe

Fixed pool hose connection (d32/38), floor brushes, blue

Product	G-kg	PU	Prod.No.	Price €
Smart vacuum head TRI deluxe blue, single packed	1.34	6.00	78843	17.99



Smart floor vac head flex

Better cleaning of pool edges because of flex body and brushes, blue

Product	G-kg	PU	Prod.No.	Price €
Smart Flex Vac Head blue single packed	0.70	6.00	78706	22.09



Smart floor vac head single flex

With fixed hose connection, 35 cm/14", blue/ white

Product	G-kg	PU	Prod.No.	Price €
Smart Single Flex vac blue/white with fixed hose connection, 35 cm/14"	1.02	1.00	74797	36.64



Smart floor vac head single flex

With fixed hose connection and brushes, 35 cm/14", blue/white

Product	G-kg	PU	Prod.No.	Price €
Smart Flex vac with side brushes blue/white, with fixed hose connection 35 cm/14"	1.13	1.00	74798	41.37



Smart pool cleaning kit

Consisting of leaf skimmer, leaf rake, wall brush, floor vac, hand scrubber

Product	G-kg	PU	Prod.No.	Price €
Smart Poolreinigungskit	2.56	1.00	75023	89.09



Smart automatic floor vac head

With 10 m special hose, for pools up to 8 x 4 m, blue, min. pump capacity: 6–8 m3/h

Product	G-kg	PU	Prod.No.	Price €
Smart Automatic Vac Head blue with diaphragme single packed with 10m hose	7.50	1.00	78723	245.70



Whaly Vac

For small above ground pools, smart-drive programming, for quick and fast cleaning, with anti-friction ring, for liner protection, silent operation

Product	G-kg	PU	Prod.No.	Price €
Whaly Vac for small above-ground pools with flat bottom, smart-drive programming	8.00	1.00	7300026	347.78



Lil Shark

Two-ways-cleaning, patented bristles, with telescopic adapter, suction width 6 m3/h, 10 m hose, recommended for round, oval and octagonal pools

Product	G-kg	PU	Prod.No.	Price €
Lil Shark, suction cleaning from 6 m ³ /h, 10 m hose	6.00	1.00	70908	433.63



Smart chlorine dispenser

For d7.6cm / 3" tabs, with fixing clamps, blue/white

Product	G-kg	PU	Prod.No.	Price €
Smart Chlorine Dispenser Typ "B" blue	0.31	24.00	78710	8.08



Smart chlorine dispenser

For d7.6cm / 3" tabs, with fixing clamps, integrated thermometer, childproof lock lid, blue/white; when tab is used up this dispenser turns upside down

Product	G-kg	PU	Prod.No.	Price €
Smart Chlorine Dispenser for 3" tablets with thermometer type "B" blue single packed with shut-off function	0.25	12.00	78733	12.54



Smart pool thermometer blue

Product	G-kg	PU	Prod.No.	Price €
Smart Pool Thermometer blue	0.03	180.00	78841	4.96



Smart pool thermometer white

Product	G-kg	PU	Prod.No.	Price €
Smart Pool Thermometer white	0.06	120.00	78842	6.96



Smart pool thermometer dolphin, turtle, duck

Product	G-kg	PU	Prod.No.	Price €
Smart Pool Thermometer Dolphin, single packed	0.14	48.00	78715	6.14
Smart Pool Thermometer Turtle, yellow-green single packed	0.14	48.00	78716	6.14
Smart Pool Thermometer Duck yellow single packed	0.14	48.00	78717	6.14



Smart pool thermometer

UV resistant ring, clearly legible scale (0 up to +43) , temperatur sensor, nylon cord for fixing on the pool edge, personalized scale for more than 1,000 pieces annual demand deliverable, 4-colour Smart single packing

Product	G-kg	PU	Prod.No.	Price €
Pool Thermometer d= 18 cm blue	0.19	12.00	78853	31.88



Smart safety ring

Product	G-kg	PU	Prod.No.	Price €
Smart Swim Ring	1.33	6.00	78719	28.92



Smart safety hook

Product	G-kg	PU	Prod.No.	Price €
Smart Life Hook aluminium for telescopic rod	0.45	10.00	78761	24.33



Smart bin

Optimal for pool entrance area, blue

Product	G-kg	PU	Prod.No.	Price €
Smart Foot Bath blue single packed 40x40x10cm	0.55	12.00	78720	12.29



Ocean® pool hose eco

d32 and d38, packed in soil resistant PE bags, white/blue

Product	G-kg	PU	Prod.No.	Price €
Swimming Pool Hose Ocean ECO socket distance 1,5m d38 white l=51m	0.21	51.00	75596	3.35
Swimming Pool Hose Ocean ECO socket distance 1,1m d32 blue l=50,6m	0.18	50.60	75597	3.27
Swimming Pool Hose Ocean ECO socket distance 1,1m d32 white l=50,6m	0.18	50.60	75598	3.27



Peraqua Diaclor PS 200 Multi

Multi functional tablets 200 g (blistered)

Product	G-kg	PU	Prod.No.	Price €
Peraqua Diaclor PS 200 Multi, multi function tablets 200 g, unit= 1 kg	1.00	1.00	740229	14.13
Peraqua Diaclor PS 200 Multi, multi function tablets 200 g, unit= 5 kg	5.00	1.00	740230	45.04
Peraqua Diaclor PS 200 Multi, multi function tablets 200 g, unit= 10 kg	10.00	1.00	740231	88.81



Peraqua Diaclor PS 90/200

Chlorine slowly soluble 90%, tablets 200 g (blistered)

Product	G-kg	PU	Prod.No.	Price €
Peraqua Diaclor PS 90/200 1 kg, Chlorine slowly soluble, 90%, tablets 200 g, unit = 1 kg	1.00	1.00	7300114	14.44
Peraqua Diaclor PS 90/200 1 kg, Chlorine slowly soluble, 90%, tablets 200 g, unit = 5 kg	5.00	1.00	7300115	45.68
Peraqua Diaclor PS 90/200 1 kg, Chlorine slowly soluble, 90%, tablets 200 g, unit= 10 kg	10.00	1.00	7300116	90.09



Peraqua Diaclor GR 60

Granular, chlorine, quickly soluble 60%

Product	G-kg	PU	Prod.No.	Price €
Peraqua Diaclor GR 60, granules, Chlorine, quick dissolving 60 %, 1 unit= 1 kg	1.00	1.00	740232	9.90
Peraqua Diaclor GR 60, granules, Chlorine, quick dissolving 60 %, 1 unit= 5 kg	5.00	1.00	740233	42.07
Peraqua Diaclor GR 60, granules, Chlorine, quick dissolving 60 %, 1 unit= 10 kg	10.00	1.00	740234	82.87
Peraqua Diaclor GR 60, granules, Chlorine, quick dissolving 60 %, 1 unit= 25 kg	25.00	1.00	740235	201.84



Peraqua Diaclor PS 200/10

10-effects 2-phase tablets 200g

Phase 1: quickly soluble (shock chlorination)

Phase 2: 10 effects (descaling, algicide, disinfection, treatment, flocculation, stabilisation, PH value, chlorine, bacterio-staticum, bactericide)

Product	G-kg	PU	Prod.No.	Price €
Peraqua Diaclor PS 200/10, 10-action tablets 200g, 1 unit=6 kg	6.00	1.00	740236	79.04



Peraqua Diaclor 150

Chlorine liquid

Product	G-kg	PU	Prod.No.	Price €
Peraqua Diaclor 150, Chlorine liquid, 1 unit=20 l	25.00	1.00	740240	46.74



Peraqua Diaquat 20

Concentrated algicide (20%)

Product	G-kg	PU	Prod.No.	Price €
Peraqua Diaquat 20, algaecide desinfectant 20%, 1 unit=1 l	1.00	1.00	7300117	13.60
Peraqua Diaquat 20, algaecide desinfectant 20%, 1 unit=5 l	5.00	1.00	7300118	32.29
Peraqua Diaquat 20, algaecide desinfectant 20%, 1 unit=10 l	10.00	1.00	7300119	63.75



Peraqua Diaminus pH GR

PH minus granular

Product	G-kg	PU	Prod.No.	Price €
Peraqua Diaminus pH GR, ph-minus, granules, 1 unit= 1 kg	1.00	1.00	740244	11.74
Peraqua Diaminus pH GR, ph-minus, granules, 1 unit= 8 kg	8.00	1.00	740245	38.76



Peraqua Diaminus pH

PH minus liquid

Product	G-kg	PU	Prod.No.	Price €
Peraqua Diaminus pH, pH-minus liquid, 1 unit= 1 l	1.00	1.00	7300126	2.84
Peraqua Diaminus pH, pH-minus liquid, 1 unit= 5 l	5.00	1.00	7300127	20.18
Peraqua Diaminus pH, pH-minus liquid, 1 unit= 10 l	12.50	1.00	740246	28.48
Peraqua Diaminus pH, pH-minus liquid, 1 unit= 20 l	25.00	1.00	740247	49.28



Peraqua Diamas pH GR

PH plus granular

Product	G-kg	PU	Prod.No.	Price €
Peraqua Diamas pH GR, gramular, 1 PU=1 kg	1.00	1.00	7300129	11.74
Peraqua Diamas pH GR, granular, 1 PU=5 kg	5.00	1.00	740248	22.48
Peraqua Diamas pH GR, granular, 1 PU=25 kg	25.00	1.00	740249	87.11



Peraqua Diamas pH

PH plus liquid

Product	G-kg	PU	Prod.No.	Price €
Peraqua Diamas PH liquid, 1 unit= 1 l	1.00	1.00	7300128	8.92
Peraqua Diamas PH liquid, 1 unit= 5 l	6.25	1.00	740250	22.74
Peraqua Diamas PH liquid, 1 unit= 20 l	25.00	1.00	740251	79.89



Peraqua Diafloc / Diafloc PS

Flocculant liquid / flocculant cartouche

Product	G-kg	PU	Prod.No.	Price €
Peraqua Diafloc PS, flake cartouche, 8x 125 g = 1 kg	1.00	1.00	740252	8.30
Peraqua Diafloc, flocculant liquid unit = 1 l	1.00	1.00	7300121	14.19
Peraqua Diafloc, flocculant liquid unit = 5 l	5.00	1.00	7300122	28.04
Peraqua Diafloc, flocculant liquid unit = 20 l	20.00	1.00	7300123	101.98



Peraqua Pool Gel

Flocculant gel, to be placed into the pool skimmer, soluble within 1 week, spreads to the filter sand and filters floating particles, durability 2 – 3 weeks

Product	G-kg	PU	Prod.No.	Price €
Peraqua Pool Gel, flocculants, 90 g unit, 12 Stk.	1.08	1.00	7300157	134.49
Peraqua Pool Gel, flocculants, 90 g unit, 24 Stk.	2.16	1.00	7300158	220.08



Peraqua Netagras

Cleaner for the water line
1 PU = 1 l

Product	G-kg	PU	Prod.No.	Price €
Peraqua Netagras, cleaner water line, 1 unit = 1 l	1.00	1.00	740253	6.37



Peraqua Diainver

Wintering
1 PU = 5 l

Product	G-kg	PU	Prod.No.	Price €
Peraqua Diainver, wintering, 1 unit = 5 l	5.00	1.00	740254	40.80



Smart Pool Lab 1.0 Photometer

Digital testing instrument, IP67, with changeable cuvette, wireless and bluetooth 4.0 compatible, free cloud service, app
Incl. tablets for: chlorine (free, combined, total), PH value, alkalinity, cyanuric acid
Optional with additional tablets: active oxygen, bromine, chlorine dioxide, ozone, hydrogen peroxide

Product	G-kg	PU	Prod.No.	Price €
Smart Pool Lab 1.0 Photometer, digital test system, IP67, with changeable cuvette, wireless	0.31	1.00	740051	269.11



Test strips Smart 3 in 1

PH, free chlorine/bromine and total alkalinity

Product	G-kg	PU	Prod.No.	Price €
Test strips Smart 3 in 1, pH/chlorine/bromine and total alkalinity unit = 40 cans à 40 test strips	0.04	1.00	740170	379.63



Test strips Smart 5 in 1

PH, free chlorine/bromine, total alkalinity, cyanuric acid and total hardness

Product	G-kg	PU	Prod.No.	Price €
Test strips Smart 5 in 1, pH/chlorine/bromine/total hardness/cyanuric acid and total alkalinity unit = 40 cans à 50 strips	0.04	1.00	740171	514.61



Test strips Smart salt

Sodium chloride

Product	G-kg	PU	Prod.No.	Price €
Test strips Smart Salt, NaCl, 1 unit = 40 cans à 20 strips	0.04	1.00	740172	418.44



DPD 1 chlorine tablets for Smart Pool Lab 1.0 Photometer

PU = 50 pcs

Product	G-kg	PU	Prod.No.	Price €
DPD 1 Chlorine Tablets for Smart Pool Lab 1.0 Photometer, 1 unit = 50 pcs.	0.02	1.00	740173	8.27



DPD 3 chlorine tablets for Smart Pool Lab 1.0 Photometer

PU = 50 pcs

Product	G-kg	PU	Prod.No.	Price €
DPD 3 Chlorine Tablets for Smart Pool Lab 1.0 Photometer, 1 unit = 50 pcs.	0.02	1.00	740174	8.27



Phenol Red tablets for Smart Pool Lab 1.0 Photometer

PU = 50 pcs

Product	G-kg	PU	Prod.No.	Price €
Phenol Red Tablets for Smart Pool Lab 1.0 Photometer, 1 unit = 50 pcs.	0.02	1.00	740175	8.27



Alkalinity-M tablets for Smart Pool Lab 1.0 Photometer

PU = 50 pcs

Product	G-kg	PU	Prod.No.	Price €
Alkalinity-M Tablets for Smart Pool Lab 1.0 Photometer unit = 50 pcs	0.02	1.00	740176	11.52



CYA-Test cyanuric acid tablets for Smart Pool Lab 1.0 Photometer

PU = 50 pcs

Product	G-kg	PU	Prod.No.	Price €
CYA-Test Cyanuric Acid Tablets for Smart Pool Lab 1.0 Photometer, unit = 50 pcs.	0.02	1.00	740177	12.95



DPD 4 active oxygen tablets for Smart Pool Lab 1.0 Photometer

PU = 50 pcs

Product	G-kg	PU	Prod.No.	Price €
DPD 4 active Oxygen Tablets for Smart Pool Lab 1.0 Photometer, unit = 50 pcs.	0.02	1.00	740178	8.27



Tablet set for Smart Pool Lab 1.0 Photometer

20 tablets DPD N°1 (free chlorine)
 10 tablets DPD N°3
 20 tablets Phenol Red
 10 tablets alkalinity-M
 10 tablets CYA test

Product	G-kg	PU	Prod.No.	Price €
Test Set for Smart Pool Lab 1.0 Photometer	0.03	1.00	740179	16.82



Replacement glass for Smart Pool Lab 1.0 Photometer

Product	G-kg	PU	Prod.No.	Price €
Replacement Glass for Smart Pool Lab 1.0 Photometer	0.01	1.00	740180	24.89



Ocean® test kit deluxe

Transparent testing instrument, legible colour scale, multilingual manual, inclusive 20 x PH/CL test tablets each

Product	G-kg	PU	Prod.No.	Price €
Testkit DPD ocean single packed	0.10	45.00	170060	9.40



DPD 1 tablets

250 tablets blistered 10 pieces each

Product	G-kg	PU	Prod.No.	Price €
DPD 1 Tablets	0.06	250.00	50122	0.20



PHENOL RED tablets

250 tablets blistered 10 pieces each

Product	G-kg	PU	Prod.No.	Price €
PHENOL RED Tablets	0.06	250.00	50124	0.20



Smart test kit DPD

PH/CL liquid.

Product	G-kg	PU	Prod.No.	Price €
Testkit DPD ECO liquid loose packing	0.12	24.00	78847	8.08



refill bottle for test kit DPD ECO

Product	G-kg	PU	Prod.No.	Price €
bottle for test kit DPD ECO liquid loose packed	0.05	100.00	75753	4.07



Smart test kit PH/CL

Test kit with tablets
Per 10 pcs DPD 1 and PH

Product	G-kg	PU	Prod.No.	Price €
Smart test kit PH/CL DPD single packed, tablet	0.13	72.00	78707	8.43

Ocean® duff vac head
with special GFK reinforced adapter handle

page 380



PRODUCTS FOR NATURAL POOLS

372 | White goods for natural pools

377 | Ocean® liner for natural pools

378 | Cleaning accessories



NATURE & TECHNOLOGY IN HARMONY



WHERE NATURAL POOLS BECOME INTELLIGENT NATURAL POOLS

There are different requirements on the individual components when planning a natural pool site. Therefore we developed special installation parts & cleaning accessories based on those needs, for example the smart controlled filter series incl. Loxone Aquastar® Air pool control (see in chapter Filter&Filter Media and Controls).

The design of the built-in parts flatters the natural ambience, the aluminum reinforced construction of cleaning accessories withstands the special conditions (e.g. heavy mud).



The Ocean® duff vac head cleaner from Praher Plastics® cleans gently and efficiently different and sensitive surfaces of natural pool areas. In order to protect the pond liner we developed a stepped, interchangeable suction ring in addition.

A special feature is the transparent suction cup made of indestructible polycarbonate. The flexible adapter handle made of high-performance polyamide (5 times higher strength) is 360° rotatable.

Optionally, an additional brush ring can be ordered to clean decorative stones or steps even better.



NATURAL TECHNOLOGY

Planning a natural pool often is not just the desire of naturally filtered water, it's also the ecological and environmental-friendly aspect. Water saving, energy efficient and hygienic prepared are properties that perfectly describe following Peraqua® products suitable for natural pool.



The stepless / speed controlled **Smart swimming pool pump E.Pro** is with up to 90% energy savings a true energy-saving champion.

The pressure-controlled **Aquastar® Comfort backwash valve** makes one automatic backwash only then, if there is too much dirt collected in the filter. The optional SafetyPack function protects against water loss in case of power failure.



Thanks to its high water permeability and dirt retention capacity our **Hi-Tech glass filter material Nature Works** reduces the number of backwash operations and lowers the water consumption compared to others filter media up to 25%. It also counts to the best hygienic ones of its category.

The **Smart Quantum Hybrid UV water treatment** generates chemical-free pureness and sterile pool water through photocatalytic reaction.



Our **FlexFit® series** with glueless connection for **FlexFit® fittings** with PVC hoses are designed do save the environment next to its other advantages. The production with high quality materials at Praher Plastics® guarantees long lifetime and saves resources.



Ocean® skimmer deluxe PT (black)

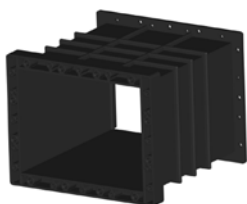
for liner, build-up and concrete/tile pools, with basket, flange set, skim vac plate d32/38, cover, self-drilling PT screw set, sealings, reductions 2"/ 1 1/2" and overflow connection d50. Incl. cut for niveao sensor. Recommended flow rate 8 m3/h. One skimmer recommended for 25 m2 water surface.

Product	G-kg	PU	Prod.No.	Price €
Skimmer Ocean® De Luxe PT ABS black, double lip sealing, Ocean single packing	2.41	1.00	170598A	150.00



Collar for Ocean® skimmer deluxe black

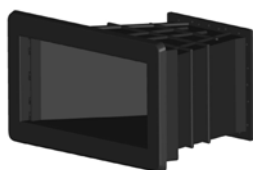
Product	G-kg	PU	Prod.No.	Price €
Ocean® height extension for skimmer black ABS	0.20	1.00	150402	30.90



Ocean® skimmer extension PT (black)

25 cm, self-drilling PT screw set, sealings, cover, for optimal frontal extension of the skimmer PT deluxe

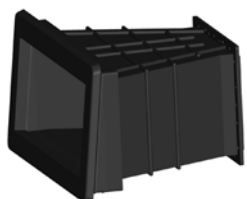
Product	G-kg	PU	Prod.No.	Price €
Extension for skimmer Ocean® PT ABS black (170598a)	1.31	1.00	170920A	87.00



Ocean® skimmer side mouth extension PT (black)

incl. sealings, cover and self-drilling PT screw set for optimal frontal extension and enlargement for the PT skimmer

Product	G-kg	PU	Prod.No.	Price €
Extension for wide mouth skimmer Ocean® PT ABS black (prod. code 170598a)	1.88	1.00	170925A	100.34



Ocean® wide mouth extension (6°) (black)

25 cm mounting depth, this allows the Ocean® Skimmer deluxe PT to be „straight“ mounted on the sloping pool flange. In addition to optical advantages, this also has technical advantages, since the function of the skimmer (optionally with electric level control Praher NCO1) is optimally guaranteed.

Product	G-kg	PU	Prod.No.	Price €
Enlargement 6° for wide mouth skimmer Ocean® PT ABS black (prod.code 170598a)	2.17	1.00	170926A	252.00



Smart skimmer High75 black ABS

ABS, suction 700x90 mm for concrete, liner and build-up pools, sealings, screw set, sieve basket, R1 1/2"+2" female thread connection for high water level 6-7 cm

Product	G-kg	PU	Prod.No.	Price €
High water level skimmer High75 black ABS with brass inserts	7.15	1.00	78515	350.00



Smart overflow skimmer 20

compact PE - plastic skimmer, leaf basket made of Niro, connection d63, incl. safety bar, Ø top: 21 cm, base: 40 × 40 cm, total height: approx. 37 cm, hose connection D63 PVC- solvent connection, application: acc. to pump type between 5 and 12 m³, leveling: approx. 22 cm, optimal water level: approx. 48 cm, min. installation height: ca. 40 cm – 4 cm

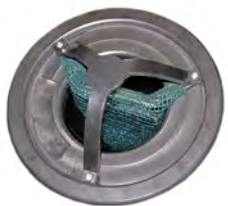
Product	G-kg	PU	Prod.No.	Price €
Float skimmer Ocean SKT 20 PE black d63 incl. safety bar, leaf basket made of Niro incl. escape hatch acc. ÖNORM L 1128	4.60	1.00	78077	750.00



Smart overflow skimmer 30

compact PE plastic skimmer, leaf basket made of Niro, connection d75, incl. safety bar Ø top: 32,5 cm, base: 58 × 58 cm, total height: approx. 45 cm, hose connection D75 PVC solvent connection, application: acc. to pump type between 12 and 20 m³, leveling: approx. 26 cm, optimal water level: approx. 58 cm, min. installation height: ca. 49 cm – 5 cm

Product	G-kg	PU	Prod.No.	Price €
Float skimmer Ocean SKT 30 PE black d75 incl. safet bar, leaf basket made of Niro incl. escap hatch acc. ÖNORM L 1128	12.00	1.00	78078	1250.00



Smart escape hatch for overflow skimmer 10/20/30 (net only)

acc. ÖNORM L1128

Product	G-kg	PU	Prod.No.	Price €
OCEAN skimmer retrofitting for SK20, escape hatch	0.05	1.00	78598	74.46
OCEAN skimmer retrofitting for SK30, escape hatch	0.06	1.00	78599	74.46



Smart Skim 300s

30 cm diameter, 85 cm leading edge, solvent socket or nozzle, VA basket, 8 mm mesh, dirt ring, V4A overflow skimmer stainless steel

Product	G-kg	PU	Prod.No.	Price €
Smart Skim 300s 2" AG, VA skimmer incl. 2" nozzle	11.00	1.00	7300418	730.21



Smart Skim 400s

36 cm diameter, 3" male thread, VA basket 8mm mesh, dirt ring, V4A overflow skimmer stainless steel

Product	G-kg	PU	Prod.No.	Price €
3" male thread, VA stainless steel incl. PVC socket 3" female thread x 110	17.50	1.00	7300419	1183.36



Smart skimmer with cave chamber for 12V pump

Incl. liner flange and stainless steel strainer, integrated overflow, made of PE, escape hatch according to ÖNORM L1128 standard

Product	G-kg	PU	Prod.No.	Price €
Ocean skimmer 230 with cave chamber for 12V pump, material: PE, escape hatch acc. to ÖNORM L 1128, L=595 x B=355 x H= 521	24.00	1.00	74946	2503.00
Ocean skimmer 330 with cave chamber for 12V pump, material: PE, escape hatch acc. to ÖNORM L 1128, L=715 x B=455 x H= 621	32.00	1.00	74947	2678.50
Ocean skimmer 460 MONO with cave chamber for 12V pump, material: PE, escape hatch acc. to ÖNORM L 1128, L=715 x B=585 x H= 621	33.50	1.00	74948	2956.82
Ocean skimmer 460 TWIN with cave chamber for 12V pump, material: PE, escape hatch acc. to ÖNORM L 1128, L=715 x B=585 x H= 621	38.00	1.00	74949	3123.46



Smart skimmer for operation with external pump

Incl. liner flange and stainless steel strainer, integrated overflow, made of PE, escape hatch according to ÖNORM L1128 standard

Product	G-kg	PU	Prod.No.	Price €
Ocean skimmer 230 for external pump, material: PE, escape hatch lt. ÖNORM L 1128, L=595 x B=355 x H=521	22.00	1.00	74950	2503.00
Ocean skimmer 330 for external pump, material: PE, escape hatch lt. ÖNORM L 1128, L=715 x B=455 x H=621	32.00	1.00	74951	2678.50
Ocean skimmer 460 for external pump, material: PE, escape hatch, lt. ÖNORM L 1128, L=715 x B=585 x H=621	35.00	1.00	74952	2956.82



Ocean® wall conduit M5 deluxe

for liner and build-up pools/tile pools, integrated M5 A4 (ss316) thread inserts, 2" female thread/male thread/solvent d 50 mm, for optimal fixing incl. 2 fixing brackets, holes for rebar and nuts for wall formwork

Product	G-kg	PU	Prod.No.	Price €
Wall conduit Ocean® M5 stainless steel thread inserts A4 with clamping nut, set	0.35	10.00	170629	35.11



Ocean® inlet nozzle deluxe standard liner pools (black)

with ball universal type 13/17/21 mm, sealings, screw set, in combination with wall conduit M5 deluxe (prod code 170629)

Product	G-kg	PU	Prod.No.	Price €
Inlet nozzle with ball universal type 13/17/21 mm for Ocean® wall conduit M5 deluxe black	0.16	50.00	170914A	13.90



Ocean® inlet nozzle deluxe DIN build-up pools (Poly- / Vinylester pools, PP)

with ball acc DIN EN16582, flange set, sealings, POM washer, clamp nut, ABS,set

Product	G-kg	PU	Prod.No.	Price €
Inlet nozzle Ocean® for polyester pools ABS black, set (sealing set and clamping nut)	0.22	20.00	170904A	25.01



Smart wall conduit for liners single pools

Product	G-kg	PU	Prod.No.	Price €
Wall conduit for liners d50/50, s.steel flange 1.4574 incl screws	0.24	1.00	78823	48.39



Smart wall conduit for liner double pools

Product	G-kg	PU	Prod.No.	Price €
Wall Conduit double d63/75 inkl. stainless steel flange 1.4574 with screws	0.88	1.00	78824	197.30



Ocean® main drain PT (black)

for liner, build-up and concrete/tile pools, with PT screws, flat cover 2" female thread connection, flange screw set, sealing set, max. flow rate 15 m3/h

Product	G-kg	PU	Prod.No.	Price €
Main drain PT ABS black	0.92	10.00	170902	60.00



Smart main drain universal

our new main drain has top functions in combination with high quality. with the new strainer the main drain comes along with a PVC socket, for the easy installation on site. 4 mm fixed-loose flange in combination with rubber sealing, V4A stainless steel.

Product	G-kg	PU	Prod.No.	Price €
Smart main drain Universal VBA 100, incl. sieve and rubber sealing, VA stainless steel	3.00	1.00	7300421	426.99



Star diffusor

our diffuser plate offers you an optimal flow through your repositioning area (clarification zone). Further developed and at the same time suitable for the discharge into sewage treatment areas, thus also for the removal of the water from the clarification zone. Stable PEHD construction. Made in the size 100 cm x 100 cm, it already covers a large area. It can easily be interconnected multiple plates.

Product	G-kg	PU	Prod.No.	Price €
Smart star diffusor 1,2 m x 0,8 m incl. 50 mm PVC angle	6.30	1.00	7300420	316.60



Smart under water light 300 W/12 V black

for liner and polyester pools
 ABS, flange set, 18 x brass inserts, 25 mm screws, for installation in polyester pools we recommend 35 mm screws

Product	G-kg	PU	Prod.No.	Price €
Under water light Ocean for liner pools ABS black 300W 12V with flange set & 18x brass inserts & 25 mm screws	2.58	1.00	78021	169.37



Pump housing LE-Solo D50

PE housing, wall thickness 8 mm, L=1170xW=760xH=650 mm, weight approx. 70 kgs with pump, gas pressure damper optional, 2 x connections (suction pipe), d63 mm for skimmer or under water suction, both controllable with ball valves, 2 x connection (pressure gauge), d 50 mm for operation of stone elements, water falls, both controllable with ball valves, incl. pressure gauge, ready to plug-in with motor protection, only for EP pumps

Product	G-kg	PU	Prod.No.	Price €
Pump housing LE Solo D50 PE, L=1170 x B=760 x H=650 mm	49.00	1.00	74953	3762.45



Pump housing LE-Twin for EP-LE ÖKO-Line pump

PE housing, wall thickness 8 mm, L=1170xW=760xH=650 mm, weight approx. 85 kgs with pumps, gas pressure damper optional, filter pump pipe internal flex, robust, walk-on PE cover, 2x separately controllable pumps, 1 x EP-series for circulation (skimmer pump), 1 x energy saving pump LE-ÖKO-Line for filter operation, filter pump incl. pressure gauge, motor protection for pump EP pre-installed

Product	G-kg	PU	Prod.No.	Price €
Pump housing LE Twin PE, L=1170 x B=760 x H=650 mm	0.00	1.00	74954	4663.61



IBG® FlexFit® PVC pressure hose d50, 25m (black)

with reinforcing spiral, for pool and natural pool construction

Product	G-kg	PU	Prod.No.	Price €
Hose FlexFit reinforced PVC black 50-42 l=25m roll	0.88	25.00	74085	11.20

Ocean® liner for natural pools

NF 15836-2
ZERTIFIKAT

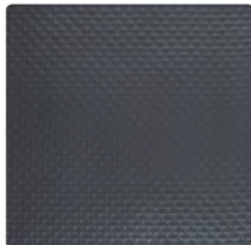


Ocean® liner for natural pools

1,5mm fabric reinforced liner, same excellent quality as for Ocean swimming pool liner deluxe, with fungicidal components, that means this liner is suitable for natural pools for fish and plants.

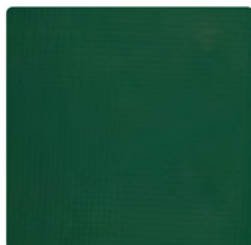
Ocean liner for natural pools light grey

Product	G-kg	PU	Prod.No.	Price €
Ocean® PVC natural pool liner deluxe, reinforced, light grey, 1,5mm, 165 cm, l=25 m	2.00	41.25	75172	20.54
Ocean® Natural Pool Liner deluxe reinforced, light grey, 1,5mm, 205 cm, l=25 m	2.00	41.25	740108	20.54



Ocean® liner for natural pools dark grey

Product	G-kg	PU	Prod.No.	Price €
Ocean® PVC natural pool liner deluxe, reinforced, dark grey, 1,5mm, 165 cm, l=25 m	2.00	41.25	740047	20.54
Ocean® PVC natural pool liner deluxe, reinforced, darkgrey, 1,5mm, 205 cm, l=25 m	0.00	41.25	740048	20.54



Ocean® liner for natural pools dark green

Product	G-kg	PU	Prod.No.	Price €
Swimming pool liner Ocean® fabric reinforced PVC, dark-green 1,5 x 165 cm l=25m coil	2.00	41.25	78117	21.63
Swimming pool liner Ocean® fabric reinforced PVC, dark-green 1,5 x 205 cm l=25m coil	1.83	51.25	78233	21.63



Smart nature aluminium leaf skimmer black/white

with robust aluminium handle system

Product	G-kg	PU	Prod.No.	Price €
Leaf skimmer standard PP-GFR single packed	0.46	12.00	78726	20.12



Smart nature aluminium leaf rake, grey/black

with robust aluminium handle system

Product	G-kg	PU	Prod.No.	Price €
Leaf rake standard PP-GFR single packed	0.50	12.00	78727	22.09



Smart nature wall brush 45 cm/18", black

with robust aluminium handle system

Product	G-kg	PU	Prod.No.	Price €
Wallbrush standard PP-GFR single packed 24"	0.83	12.00	78728	23.20



Smart wall brush WHALE TYPE large, blue, 50 cm

For optimal cleaning of stairs, rocks and liners, adjustable blade mechanism, 10 times higher pressure, ideal for effortless and efficient cleaning of the pool walls

Product	G-kg	PU	Prod.No.	Price €
Wall brush Smart PP blue 20"	1.38	8.00	78729	61.43



Ocean® aluminium telescopic rod deluxe, 2-parts, black

quick and easy length adjustment with extencer system, ergonomic soft hand grips, patented system for easy fixing of Ocean and Smart cleaning accessories, protection against injuries, 1.1 mm wall thickness for long life cycle

Product	G-kg	PU	Prod.No.	Price €
Telescopic rods 2 parts alu silver anodized 1,8 - 3,6m Ocean-single packing	0.90	10.00	7300251	23.20
Telescopic rods 2 parts alu silver anodized 2,4 - 4,8m Ocean-single packing	1.39	10.00	7300252	28.70
Telescopic rods 2 parts alu silver anodized 3,75 - 7,5m Ocean-single packing	2.30	10.00	7300253	56.40



Ocean® hose for natural pools DN38, 50m green/black

Socket distance green 1.5 m, socket distance black 0.5m, plastic wrapping

Product	G-kg	PU	Prod.No.	Price €
Floating hose distance of socket 1,5m d38 green l=50m	0.23	50.00	70030	5.41
Floating hose distance of socket 1,5m d38 black l=50m	0.21	50.00	71921	4.94



Smart nature triangle vac head, black

Product	G-kg	PU	Prod.No.	Price €
Vacuum head black single packed with swivel	1.50	6.00	78724	29.42



Smart nature Flex vac head

48 cm/19", black/white, with robust aluminium handle system

Product	G-kg	PU	Prod.No.	Price €
Vacuum head single packed	1.56	12.00	78725	47.70



Ocean® duff vac head

For efficient and easy cleaning of different natural pool areas. With transparent, unbreakable polycarbonate body, 360° swivelling Cascadaed, exchangeable vac ring for protection of the pool liner

Product	G-kg	PU	Prod.No.	Price €
Ocean® Duff vac	1.75	1.00	170933	243.21



Ocean® vac ring with brushes for duff vacuum head

for optimal cleaning of stone stairs and rocks

Product	G-kg	PU	Prod.No.	Price €
Suction Ring for Duff Vac Head with brushes	0.84	10.00	190145	201.02



Ocean® leaf/dirt collector

Hose connection d38, snap closing, transparent, optimal as prefilter for wall vac and duff vac in combination with an external centrifugal pump

Product	G-kg	PU	Prod.No.	Price €
Leaf/dirt basket, hose connection d38 mm, transparent, with snap closing	0.94	4.00	78851	105.47
Filter bag leaf & dirt basket	0.10	1.00	74091	125.26



Smart impeller pump 8000 + 12000

Dry self-suction impeller pump, for professional pond and natural pool cleaning, guarantees continuous and pulsation-free flow, robust and compact construction, flexible and high-quality impeller

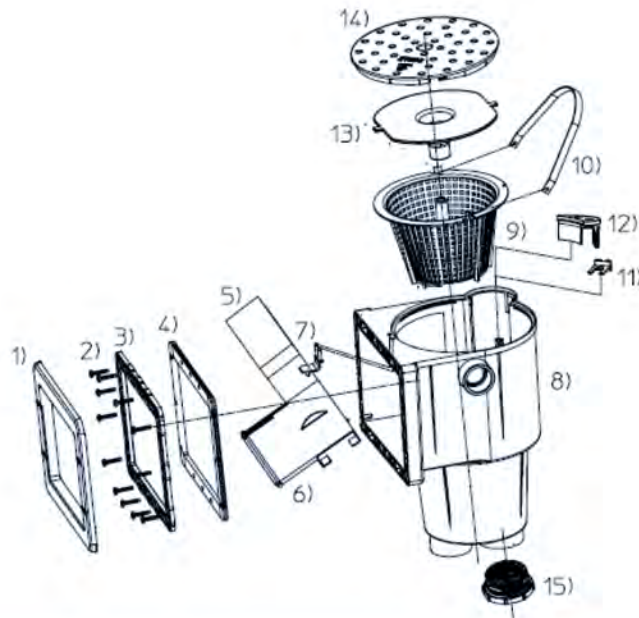
Product	G-kg	PU	Prod.No.	Price €
Ocean Impeller pump 8000 220V, 8000 l/h, 4 bar, 2,2 kW incl. trolley, on and off protection switch	38.20	1.00	74962	2453.39
Ocean Impeller pump 12000 220V, 12000 l/h, 5 bar, 2,2 kW incl. trolley, on and off protection switch	43.28	1.00	74963	2836.28
VA stainless steel stoneburier for all models	6.00	1.00	75100	1521.54

V4A stainless steel stoneburier not included in the delivery

SPARE PARTS

Ocean® skimmer PT/M5 deluxe	384
Ocean® wall conduit & inlet nozzles PT/M5	385
Ocean® main drain deluxe PT/M5	387
Ocean® under water light 300W	388
Ocean® reel for pool cover stainless steel	389
Polyester filter BREGENZ II	390
Polyester filter VIENNA II Side Mount	394
Polyester filter VIEANNA II Top Mount	396
PPGF filter GRAZ	398
Polyester filter INNSBRUCK	401
Filter P-AQUA Side Mount	402
Filter P-AQUA Top Mount	404
Smart swimming pool pump E-Pro	406
Smart swimming pool pump EuroPro	408
Aquastar® MP6 Pos 24 VAC/230VAC, 1½", 2", 3"	409
Aquastar® Easy 4001 1½" and 2"	410
Aquastar® Easy 1001 1½" and 2"	412
Aquastar® comfort 1½"	414
Aquastar® comfort 2"	416
Aquastar® comfort 3"	418
Praher backwash valve V6 1½" SM	420
Praher backwash valve V6 1½" SM/TM	421
Praher backwash valve V6 2" SM/TM	422
Praher backwash valve V6 2" SM	423
Praher backwash valve V6 3" SM	424
Praher backwash valve V6 3" SM	425
Valves with piping for common filter brands	426

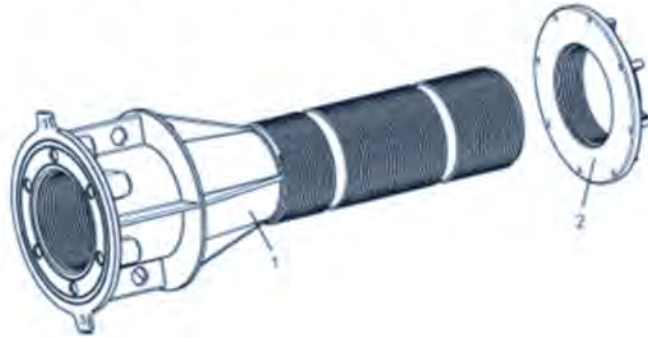
Automatic 2-way ball valve S6 EO510	431
Automatic 3-way ball valve S4 EO510	432
Solar control SCO4	433
PVC ball valve S6	434
PVC cone check valve S4	440
PVC cone check valve S6	442
PVC butterfly valve K4	443
PVC butterfly valve K4	445
PVC wafer check valve K4 without position indication	447
PVC wafer check valve K4 with position indication	450
PVC wafer check valve K6	453
Heat pump On/Off	456
Smart Inverter heat pump ECO H+C	458
Smart Full Inverter Plus heat pump H+C	460
Smart salt electrolysis ECO / ADVANCED PRO	462
Smart salt electrolysis LOW SALT / PREMIUM TOUCH DOM	463
salt electrolysis TECHNO	464
salt electrolysis DOMOTIC	465
salt electrolysis LAW SALT	466
Spare parts for salt electrolysis	467
Ocean® automatic cleaner VAC 2FUN	468
Smart vacuum head VAC Single Flex	469
Ocean® vacuum head VAC standard	470
Ocean® vacuum head VAC heavy type	471
Ocean® telescopic rod 2-parts	472
Ocean® telescopic rod 3-parts	473
Ocean® duff VAC deluxe	474



Ersatzteilliste / Spare Parts List			
Pos.	Artikelbezeichnung Part Description	Art.-Nr. ref.-no.	Preis / Price EUR
1	Blende für Skimmer / Frame for Skimmer	150385	15,59
2	Schraubenset PT, 12x25mm / Screw set PT, 12x25mm	80263	43,33
2	Schraubenset M5, 12x25mm, für Polyesterbecken/ Screw set M5, M5x25	80250	43,33
2	Schraubenset M5, Überlänge / Screw set M5, M5x35	80934	49,05
3	Blendrahmen PT / Seal frame PT	150384	15,83
3	Blendrahmen M5 / Seal frame M5	150401	15,83
4	Lippendichtung für Skimmer / Lip seal for skimmer	150386A	21,63
7	Anschlag für Skimmerklappe / Skimmer weir stop	150382	7,44
13	Saugplatte (Skim-vac) / Vacuum plate (skim-vac)	150383	17,15
15	Reduzierung 2" BSP - 1 1/2" BSP weiss / Reducer 2" BSP - 1 1/2" BSP white	150400	2,74

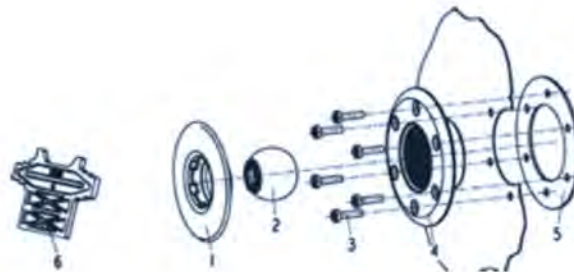
Ersatzteilset / Spare Parts Set			
Artikelbezeichnung Part Description	Art.-Nr. ref.-no.	bestehend aus consisting of	Preis / Price EUR
Skimmerklappe komplett / Skimmer weir, complete	170587	5, 6	23,66
Siebkorb / Basket, complete	170597	9, 10	21,22
Gehäusedeckel / Lid, complete	170588	12, 14	25,17

Ocean® Mauerdurchführung / wall conduit – Nr./No. 170629 de Luxe M5, Nr./No. 170879 PT



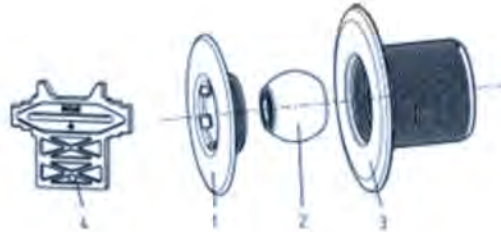
Ersatzteilliste / Spare Parts List			
Pos.	Artikelbezeichnung Part Description	Art.-Nr. ref.-no.	Preis / Price EUR
1	Mauerdurchführung / Wall Conduit	nicht verfügbar/not avail.	-
2	Klemmutter / Lock nut	150417	4,17

Ocean® Einströmdüse Folienbecken / inlet nozzle for liner pools



Ersatzteilliste / Spare Parts List			
Pos.	Artikelbezeichnung Part Description	Art.-Nr. ref.-no.	Preis / Price EUR
1	Blendring / Face plate	150415	3,73
2	Kugel / Multifold ball DIN	150413 A	3,76
3	6x TORX-Schrauben / 6x TORX screws M5	80261	21,67
3.1	6x PT-Schrauben / 6x PT-Screws	80932	21,67
4	Einströmdüsengehäuse / Nozzle	nicht verfügbar/not avail.	
5	Flachdichtung / flat gasket	50830	3,58
6	Multifunktionsschlüssel / Multi purpose spanner	150420	4,03

Ocean® Einströmdüse Fliesenbecken / inlet nozzle for tile pools

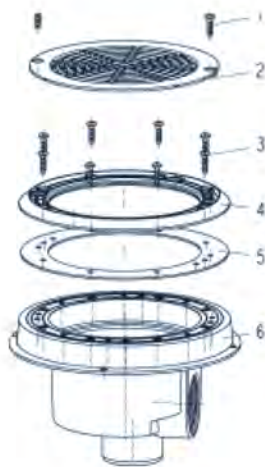


Ersatzteilliste / Spare Parts List			
Pos.	Artikelbezeichnung Part Description	Art.-Nr. ref.-no.	Preis / Price EUR
1	Blendring / Face plate	150415	3,73
2	Kugel / Multiflow ball DIN	150413A	3,76
3	Einströmdüsengehäuse / Nozzle	nicht verfügbar/not avail.	
4	Multifunktionsschlüssel / Multi purpose spanner	150420	4,03

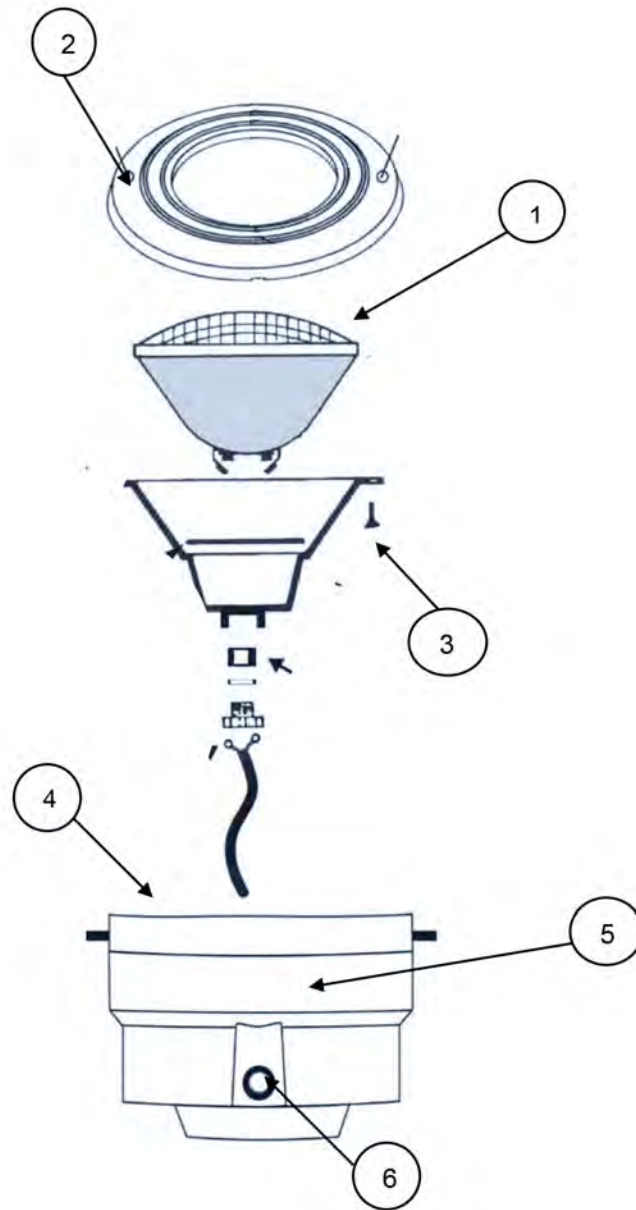
Ocean® Einströmdüse Polyesterbecken / inlet nozzle for polyester



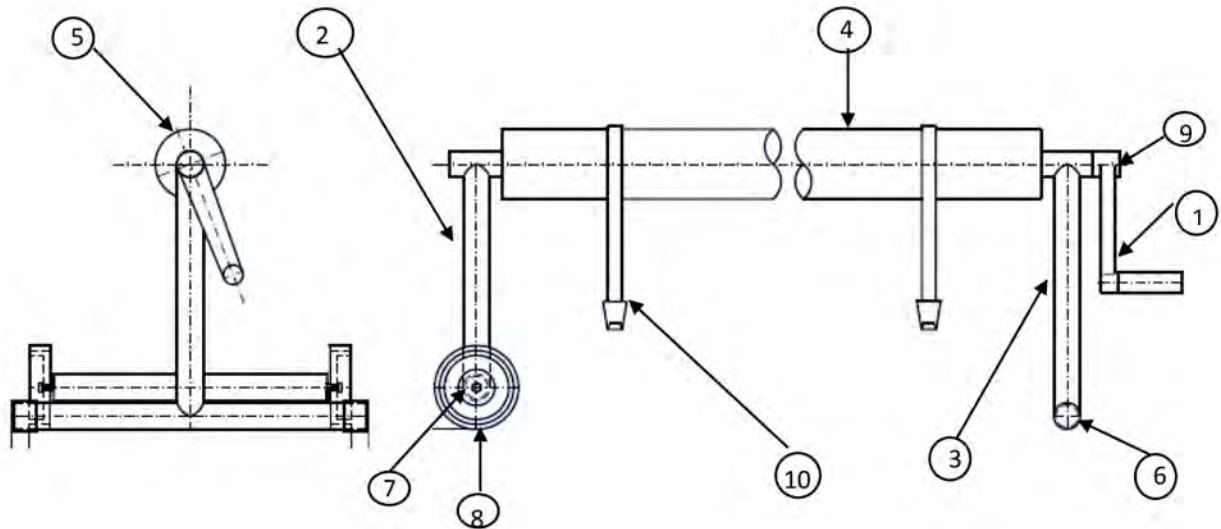
Ersatzteilliste / Spare Parts List			
Pos.	Artikelbezeichnung Part Description	Art.-Nr. ref.-no.	Preis / Price EUR
1	Blendring / Face plate	150415	3,73
2	Kugel / Multiflow ball DIN	150413A	3,76
3	Einströmdüsengehäuse / Nozzle	nicht verfügbar/not avail.	
4	Flachdichtung / flat gasket	50829	2,94
5	Unterlagsscheibe / Washer	150422	2,08
6	Klemmutter / Lock nut	150417	4,17
7	Multifunktionsschlüssel / Multi purpose spanner	150420	4,03



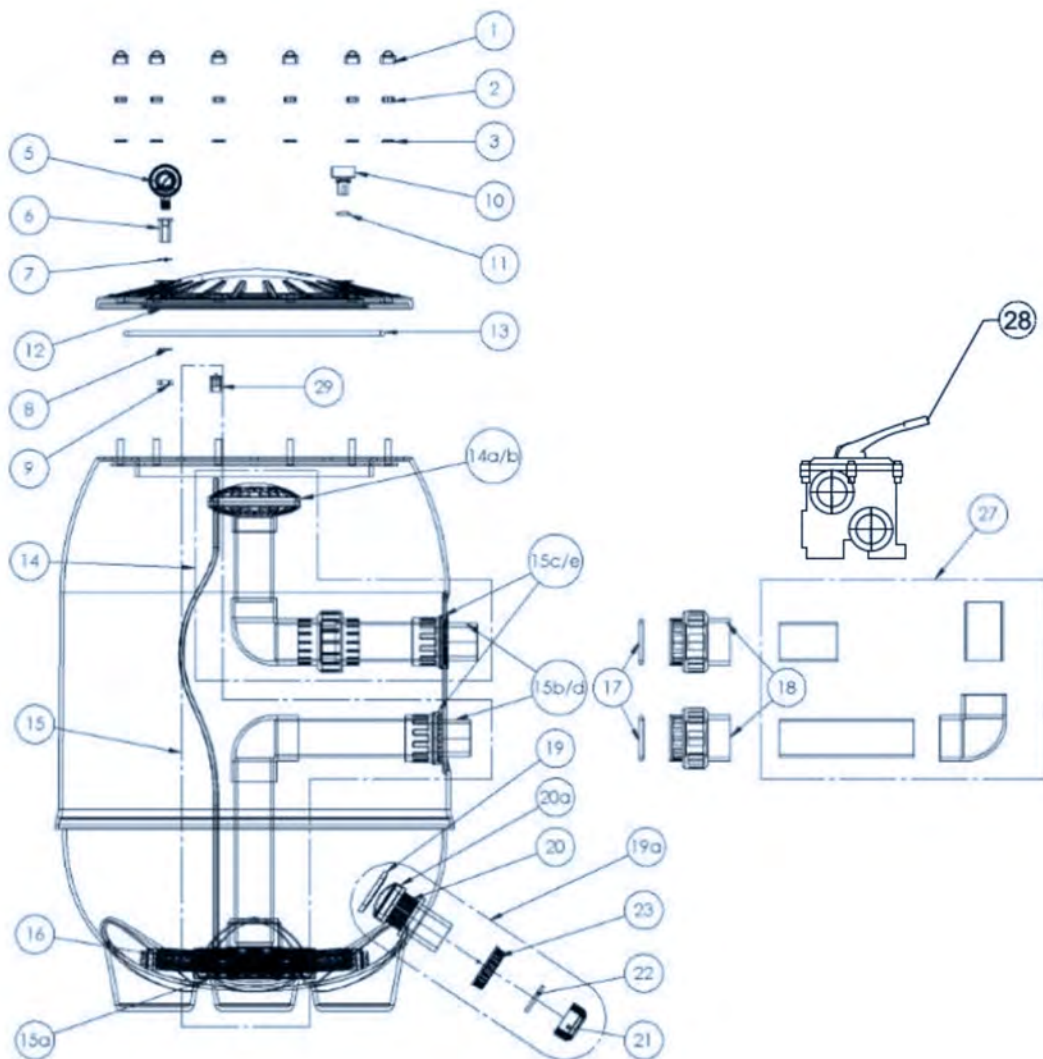
Ersatzteilliste / Spare Parts List			
Pos.	Artikelbezeichnung Part Description	Art.-Nr. ref.-no.	Preis / Price EUR
1	2x PT-Schrauben / 2x PT-screws, 50x25	80265	23,82
2	Gitterdeckel / Grid plate, PT & de Luxe	150432	11,87
3	14x PT-Schrauben / 14x PT-screws, 5x30	80933	50,53
3	14x M5-Schrauben / 14x M5 – 5x30	80934	49,05
4	Blendrahmen / Cover frame	150433	17,37
5	Dichtung / Gasket	50881	8,91
6	Gehäuse mit Edelstahlgewindeeinsätzen M5 für Folienbecken / Housing with stainless steel threaded inserts M5 for liner pools	nicht verfügbar/not avail.	



Ersatzteilliste für Unterwasserscheinwerfer 300W, Art.-Nr. 74376 Spare parts list for underwater Light 300W, part-no. 74376			
Pos.	Beschreibung Description	Art.-Nr. ref.-no.	Preis / Price EUR
1	Glaseinsatz 300W / Glass insert 300W	77041	34,29
2	Blende / Frame	77038	6,23
3	Schrauben / Screws	77042	0,45
4	Dichtung und Flansch für Folien & Polyesterpools / Gasket and flange for Liner & polyester pools	77039	5,36
5	Einbautopf / Niche	nicht verfügbar not available	nicht verfügbar not available
6	Anbauverschraubung mit Dichtung / Screw connection with gasket	77040	9,31



Ersatzteilliste / Spare Parts List			
Pos.	Artikelbezeichnung Part Description	Art.-Nr. ref.-no.	Preis / Price EUR
1	Kurbel / crank handle	78395	186,10
-	Arretierung / locking device	78376	33,22
2	Rostfreier Ständer für Aufroller fahrbar, 1 Stk. (in dieser Abbildung links) / stainless steel rack for cover reels, mobile, 1 pcs. (in this image left)	78378	179,45
3	Rostfreier Ständer für Aufroller tragbar, 1 Stk. (in dieser Abbildung rechts) / stainless steel rack for cover reels, portable, 1 pcs. (in this image right)	78381	186,10
4	Teleskop 2,6 - 4,3 (5 komplette) Rohr / telescope 2,6 - 4,3 (5 complete) pipe	78384	412,07
4	Teleskop 4,1 - 5,7 (7 komplette) Rohr / telescope 4,1 - 5,7 (7 complete) pipe	78385	511,77
4	Teleskop 5,3- 6,9 (10 komplette) Rohr / telescope 5,3- 6,9 (10 complete) pipe	78386	611,47
5	Aufnahmhülse für Aufrollvorrichtung / Retainer jacket for pool cover reels	78390	26,60
6	Plastikkappen schwarz / plastic cups, black	78392	1,98
7	Ringachse / pivot ring	78393	5,33
8	Reifen / wheel	78394	9,31
9	Beilagscheibe schwarz / washer, black	78396	1,34
-	Schraubenset komplett / screw set complete	78387	4,65
10	Befestigungsset für Folie, komplett (1 Band) / fasten set for solar liner, complete (1 band)	78391	19,29



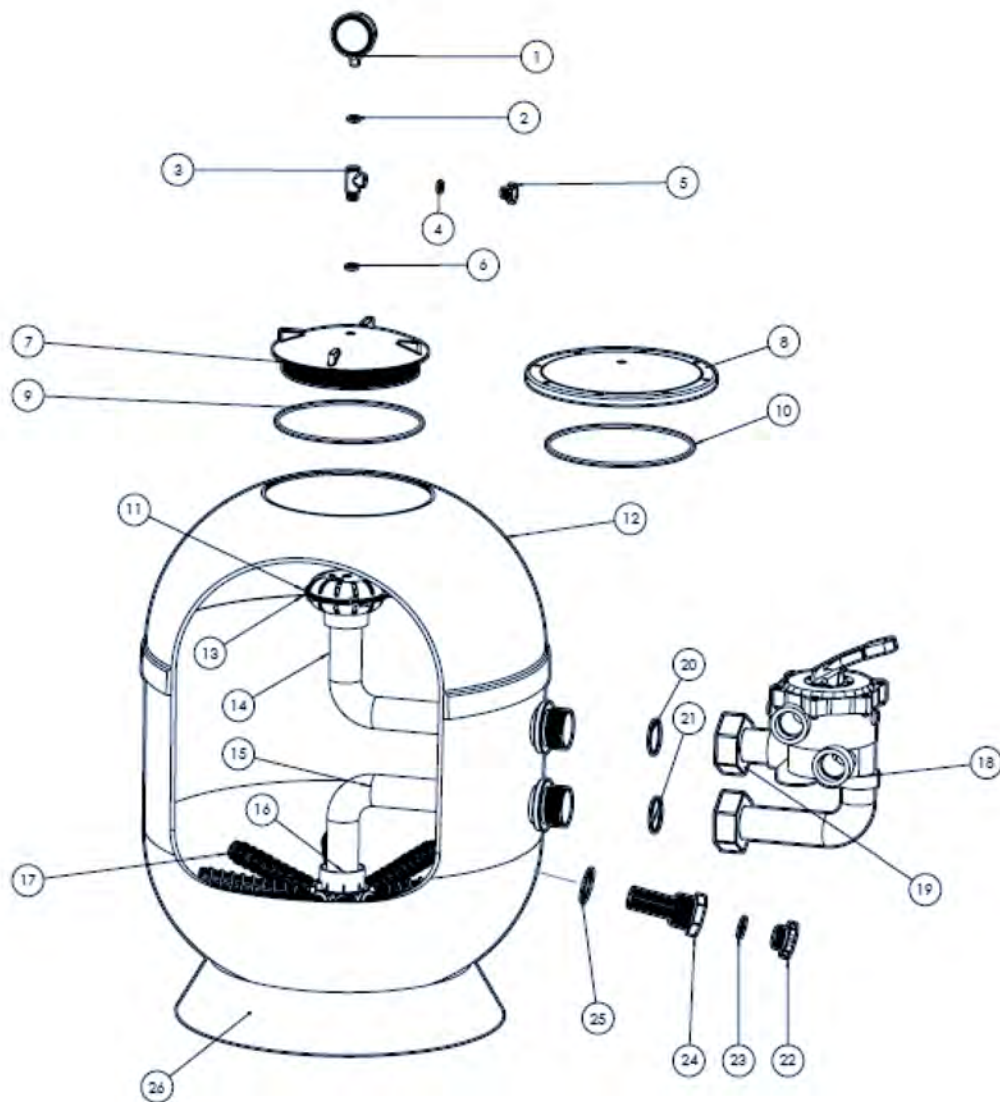
Bitte geben Sie uns die Artikelnummer des Filters und die benötigte Ersatzteilnummer an.
 Please inform us about the filter reference and the required spare part number.

Ersatzteilliste / Spare Parts List			
Pos.	Artikelbezeichnung Part Description	Art.-Nr. ref.-no.	Preis / Price EUR
1	Schraubenmuttern in Schwarz ABS <i>Nut covers in black colour</i>		auf Anfrage <i>on request</i>
2	Vernickelte Messing-Schrauben M8 <i>Nickel-plated brass nuts M8</i>		auf Anfrage <i>on request</i>
3	Dichtring M 8 x 16 A2 <i>Washer M8x16 A2</i>		auf Anfrage <i>on request</i>
5	Manometer 5/8" <i>Pressure gauge 5/8"</i>		auf Anfrage <i>on request</i>
6	Manometer Adapter für Messing-Schraube 1"1/4x5/8" <i>Pressure gauge adaptor nickle plated brass 1"1/4x5/8"</i>		auf Anfrage <i>on request</i>
7	Manometerdichtung 13x18 <i>Pressure gauge gasket 13x18</i>		auf Anfrage <i>on request</i>
8	Dichtring 13x18 <i>Pressure gauge washer 13x18</i>		auf Anfrage <i>on request</i>
9	Überwurfmutter 1/4" <i>Pressure gauge nut 1/4"</i>		auf Anfrage <i>on request</i>
10	Entlüftungsstopfen 1/4" <i>Air purge plug 1/4"</i>		auf Anfrage <i>on request</i>
11	O-Ring <i>O-ring for air purge plug</i>		auf Anfrage <i>on request</i>
12	Transparenter Filterdeckel Ø400 <i>Transparent filter cover Ø400</i>		auf Anfrage <i>on request</i>
13	O-Ring für Filterdeckel <i>Filter cover O-ring</i>		auf Anfrage <i>on request</i>
14	Kollektor Oberteil D.520 <i>Upper internal kit for filter D.520</i>		auf Anfrage <i>on request</i>
14	Kollektor Oberteil D.640 <i>Upper internal kit for filter D.640</i>		auf Anfrage <i>on request</i>
14	Kollektor Oberteil D.760 <i>Upper internal kit for filter D.760</i>		auf Anfrage <i>on request</i>
14	Kollektor Oberteil D.900 <i>Upper internal kit for filter D.900</i>		auf Anfrage <i>on request</i>
14a	Oberer Diffusor 520-640 <i>Upper diffuser for filters D.520-640</i>		auf Anfrage <i>on request</i>

Fortsetzung auf der nächsten Seite.
Continuation on the following side.

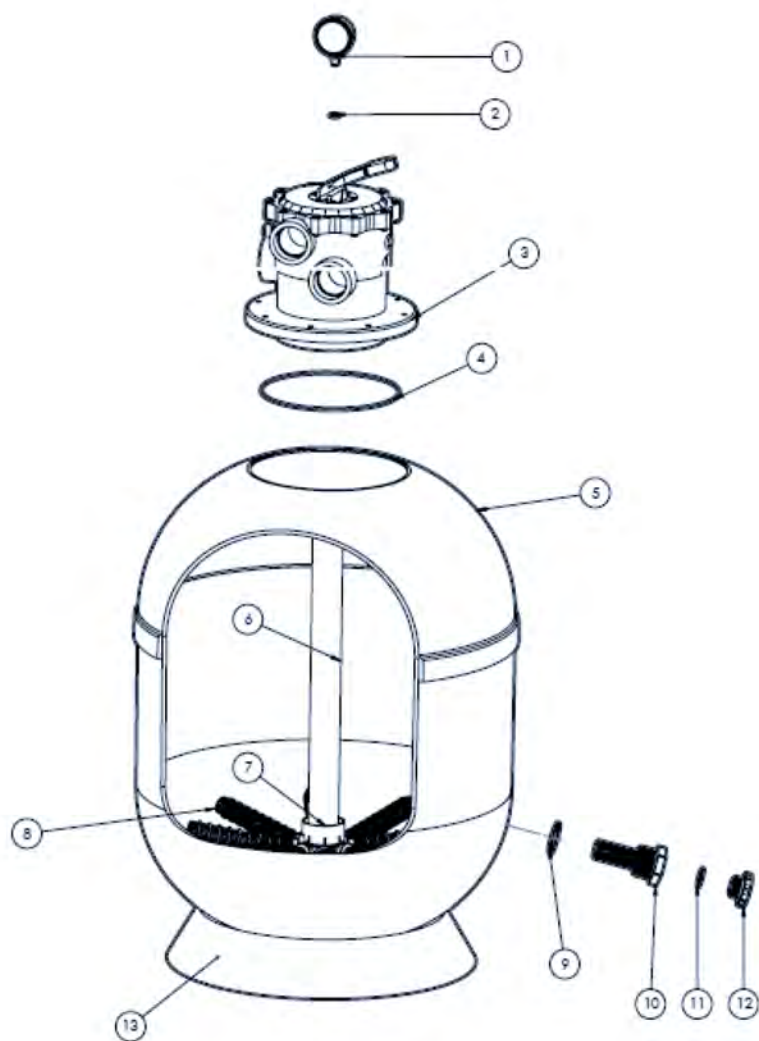
14b	Oberer Diffusor 760-900 <i>Upper diffuser for filters D.760-900</i>		auf Anfrage <i>on request</i>
15	Kollektor Unterteil D.520 ohne Arme <i>Lower internal kit for filter D.520 without arms</i>		auf Anfrage <i>on request</i>
15	Kollektor Unterteil D.640 ohne Arme <i>Lower internal kit for filter D.640 without arms</i>		auf Anfrage <i>on request</i>
15	Kollektor Unterteil D.760 ohne Arme <i>Lower internal kit for filter D.760 without arms</i>		auf Anfrage <i>on request</i>
15	Kollektor Unterteil D.900 ohne Arme <i>Lower internal kit for filter D.900 without arms</i>		auf Anfrage <i>on request</i>
15a	Kollektor Arme 12 Ausgänge/Arme <i>Arms collector of 12 exits</i>		auf Anfrage <i>on request</i>
15b	Anschluss Außengewinde 1,5" <i>Filter male adaptor 1,5"</i>		auf Anfrage <i>on request</i>
15c	Anschlussring 1,5" <i>Filter adaptor ring 1,5"</i>		auf Anfrage <i>on request</i>
15d	Anschluss Außengewinde 2" <i>Filter male adaptor 2"</i>		auf Anfrage <i>on request</i>
15e	Anschlussring 2" <i>Filter adaptor ring 2"</i>		auf Anfrage <i>on request</i>
16	Filterarm D.520-640 <i>Arm for filter D.520-640</i>		auf Anfrage <i>on request</i>
16	Filterarm D.760 <i>Arm for filter D.760</i>		auf Anfrage <i>on request</i>
16	Filterarm D.900 <i>Arm for filter D.900</i>		auf Anfrage <i>on request</i>
17	O-Ring für Anschluss D.50 47x5,34 für Filter D.520-640 <i>O-ring for external union D.50 47x5,34 for filters D.520-640</i>		auf Anfrage <i>on request</i>
17	O-Ring für Anschluss D.63 59,70x5,34 für Filter D.760-900 <i>O-ring for external union D.63 59,70x5,34 for filters D.760-900</i>		auf Anfrage <i>on request</i>
18	Verschraubung in PVC Ø 50 x 1"1/2 FF für Filter 520-640 <i>Union in PVC Ø 50 x 1"1/2 FF for filters 520-640</i>		auf Anfrage <i>on request</i>
18	Verschraubung in PVC Ø 63 x 2" FF für Filter 760-900 <i>Union in PVC Ø 63 x 2" FF for filters 760-900</i>		auf Anfrage <i>on request</i>
19	Dichtung 60x41,5x3,5 für Entleerungshahn ABS 1"1/4 <i>Filter drain gasket 60x41,5x3,5 1"1/4</i>		auf Anfrage <i>on request</i>
19a	Entleerungshahn Set <i>Complete filter drain group</i>		auf Anfrage <i>on request</i>

20	Filter Auslassteil 1"1/4 <i>Drain body 1"1/4</i>		auf Anfrage <i>on request</i>
20a	Kappe für Auslass 1"1/4 <i>Drain body cover to glue 1"1/4</i>		auf Anfrage <i>on request</i>
21	Abdeckung Ø 40 für Entleerungshahn 1"1/4 <i>Drain threaded cover 1"1/4</i>		auf Anfrage <i>on request</i>
22	Dichtung Ø40x2 für Entleerungshahn 1"1/4 <i>Drain cover gasket Ø40x2</i>		auf Anfrage <i>on request</i>
23	Mutter ABS 1"1/4 für Entleerungshahn <i>Drain nut 1"1/4</i>		auf Anfrage <i>on request</i>
25	Beilagscheibe M8 x 16 A2 <i>Washer M8 x 16 A2</i>		auf Anfrage <i>on request</i>
26	Zinkschraube M8 x35 ISO7380 für D.520-640 <i>Zinc bolt M8 x35 ISO7380 for D.520-640</i>		auf Anfrage <i>on request</i>
26	Zinkschraube M8 x35 ISO7381 für D.760-900 <i>Zinc bolt M8 x25 ISO7381 for Dia.760-900</i>		auf Anfrage <i>on request</i>
27	Verrohrungsset 1,5" für Filter D.520-640 <i>Valve kit 1,5" for filters D.520-640</i>		auf Anfrage <i>on request</i>
27	Verrohrungsset 1,5" für Filter D.750-900 <i>Valve kit 2" for filters D.760-900</i>		auf Anfrage <i>on request</i>
28	6-Wege Rückspülventil 2" für Filter D.520-640 <i>Six way valve 1,5" for filters D.520-640</i>		auf Anfrage <i>on request</i>
28	6-Wege Rückspülventil 2" für Filter D.760-900 <i>Six way valve 2" for filters D.760-900</i>		auf Anfrage <i>on request</i>
29	Entlüftungsventil 6mm in ABS <i>Air release tube filter 6mm</i>		auf Anfrage <i>on request</i>



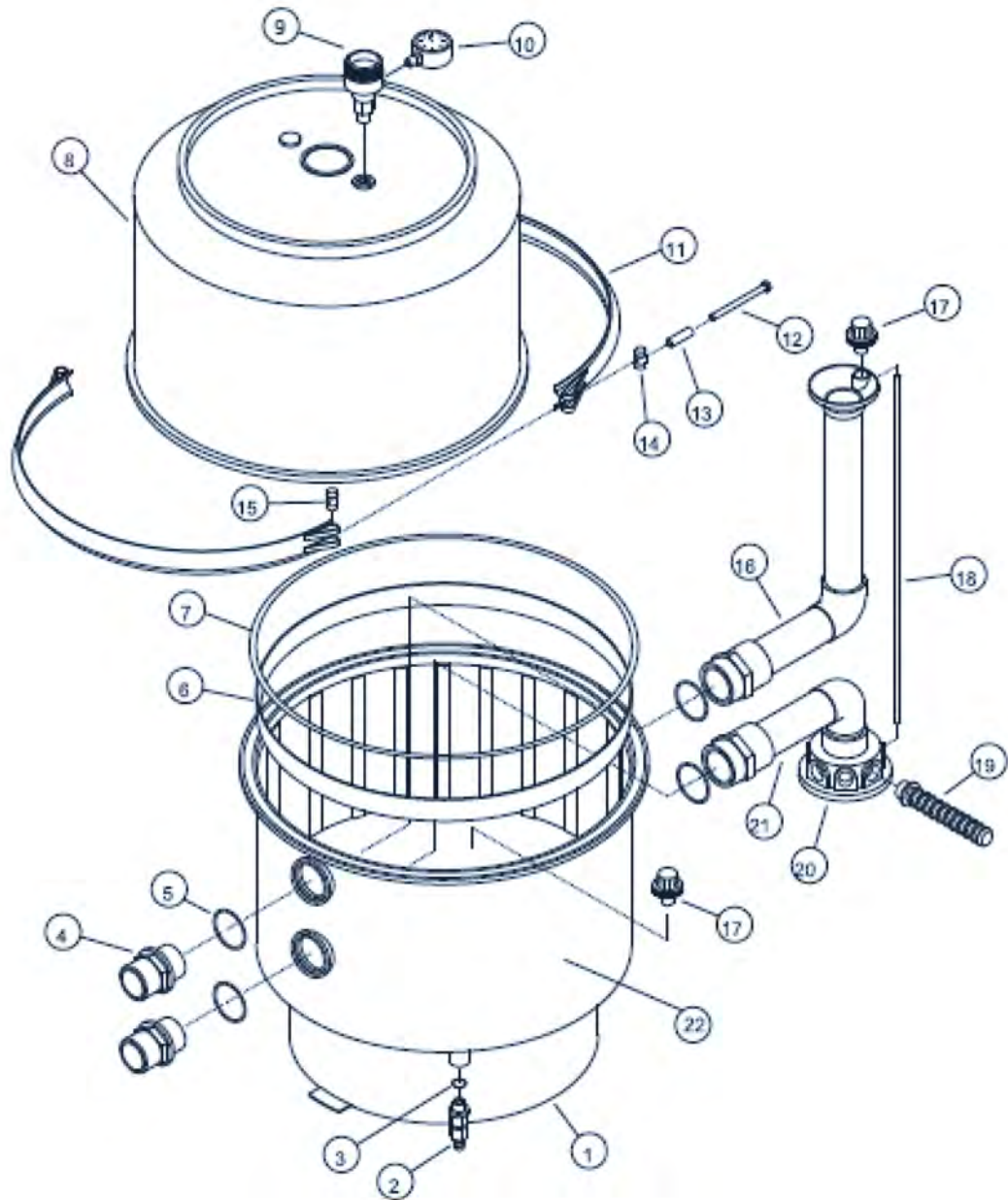
Ersatzteilliste / Spare Parts List			
Pos.	Artikelbezeichnung Part Description	Art.-Nr. ref.-no.	Preis / Price EUR
1	Glycerin Manometer Glycerin manometer		Auf Anfrage on request
2	O-Ring Manometer O-ring manometer		Auf Anfrage on request
3	Manometer T Manometer T		Auf Anfrage on request

4	O-Ring Verschluss <i>O-ring cap</i>		Auf Anfrage <i>on request</i>
5	Verschluss <i>Cap</i>		Auf Anfrage <i>on request</i>
6	O-Ring T <i>O-ring cap</i>		Auf Anfrage <i>on request</i>
7	Transparenter Schraubdeckel <i>transparent lid screw type</i>		Auf Anfrage <i>on request</i>
8	Polyesterdeckel mit Bohrungen <i>Polyester lid with drill holes</i>		Auf Anfrage <i>on request</i>
9	O-Ring Schraubdeckel <i>O-ring lid</i>		Auf Anfrage <i>on request</i>
10	O-Ring für Deckel mit Bohrungen <i>O-ring for lid with drill holes</i>		Auf Anfrage <i>on request</i>
11	Diffusor <i>Diffusor</i>		Auf Anfrage <i>on request</i>
12	Filtergehäuse <i>Filter body</i>		Auf Anfrage <i>on request</i>
13	Entlüftungsventil <i>Bleed valve</i>		Auf Anfrage <i>on request</i>
14	Klappbares PVC Rohr <i>Adjustable PVC tube</i>		Auf Anfrage <i>on request</i>
15	Sammelrohr <i>Collector pipe</i>		Auf Anfrage <i>on request</i>
16	Kollektor <i>Collector</i>		Auf Anfrage <i>on request</i>
17	Sammelarm <i>Collector arm</i>		Auf Anfrage <i>on request</i>
18	Ventil <i>Valve</i>		Auf Anfrage <i>on request</i>
22	Abluftstopfen <i>Drain plug</i>		Auf Anfrage <i>on request</i>
23	O-Ring Verschluss <i>O-ring plug</i>		Auf Anfrage <i>on request</i>
24	Verschlussset <i>Plug assembly</i>		Auf Anfrage <i>on request</i>
25	O-Ring Entwässerung <i>O-ring drain</i>		Auf Anfrage <i>on request</i>
26	Filterfuß <i>Filter base</i>		Auf Anfrage <i>on request</i>



Ersatzteilliste / Spare Parts List			
Pos.	Artikelbezeichnung Part Description	Art.-Nr. ref.-no.	Preis / Price EUR
1	Glyzerin Manometer Glycerin manometer		Auf Anfrage on request
2	O-Ring Manometer O-ring manometer		Auf Anfrage on request
3	Ventil Valve		Auf Anfrage on request
4	Ventildichtung Valve seal		Auf Anfrage on request

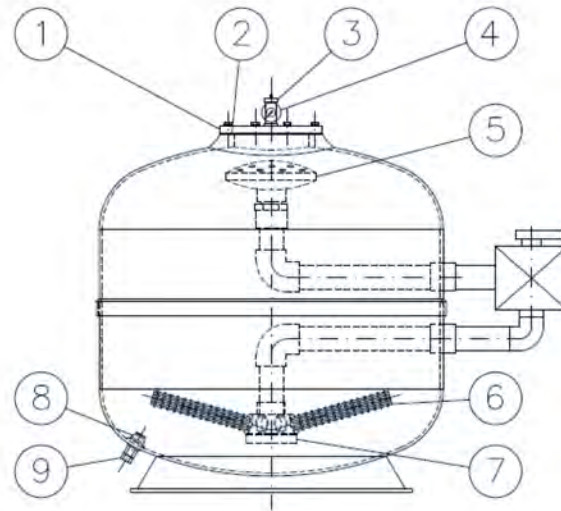
5	Filtergehäuse <i>Filter body</i>		Auf Anfrage <i>on request</i>
6	PVC Rohr <i>PVC pipe</i>		Auf Anfrage <i>on request</i>
7	Kollektor <i>Collector</i>		Auf Anfrage <i>on request</i>
8	Sammelrohr <i>Collector arm</i>		Auf Anfrage <i>on request</i>
9	O-Ring Entwässerung <i>O-ring drain</i>		Auf Anfrage <i>on request</i>
10	Entleerung <i>Drain</i>		Auf Anfrage <i>on request</i>
11	O-Ring Verschluss <i>O-ring drain cap</i>		Auf Anfrage <i>on request</i>
12	Entleerungsschraube <i>Drain cap</i>		Auf Anfrage <i>on request</i>
13	Filterfuß <i>Filter base</i>		Auf Anfrage <i>on request</i>



Bitte geben Sie uns die Artikelnummer des Filters und die benötigte Ersatzteilnummer an.
Please inform us about the filter reference and the required spare part number.

Ersatzteilliste / Spare Parts List			
Pos.	Artikelbezeichnung Part Description	Art.-Nr. ref.-no.	Preis / Price EUR
1	Filterfuß d360 Filter base d360		auf Anfrage on request
1	Filterfuß d500/600 Filter base d500/600		auf Anfrage on request
2	Entleerung PA mit Schlauchanschluß Drain PA with hose connection		auf Anfrage on request
2	Entleerung Edelstahl mit Schlauchanschluß Drain stainless steel with hose connection		auf Anfrage on request
3	O-Ring 15,10x2,7 für Entleerung O-ring 15, 10x2,7 for drain		auf Anfrage on request
4	PVC Nippel 50x1 1/2" AG PVC nipple 50x 1 1/2" AG		auf Anfrage on request
5	Silicon O-Ring 47 x 5,34 mm Silicone O-ring 47 x 5,34 mm		auf Anfrage on request
6	VA Innenring D. 500 mm V2A VA inner ring d500 mm V2A		auf Anfrage on request
6	VA Innenring D. 600 mm V2A VA inner ring d500 mm V2A		auf Anfrage on request
7	Silicon O-Ring D. 360 mm Silicone O-ring d 360 mm		auf Anfrage on request
7	Silicon O-Ring D. 500 mm Silicone O-ring d 500 mm		auf Anfrage on request
7	Silicon O-Ring D. 600 mm Silicone O-ring d 600 mm		auf Anfrage on request
8	Filteroberteil D. 360 mm Filter upper part d 360		auf Anfrage on request
8	Filteroberteil D. 500 mm Filter upper part d 500		auf Anfrage on request
8	Filteroberteil D. 600 mm Filter upper part d 600		auf Anfrage on request
9	ABS Manometerhalter mit Entlüftung ABS manometer holder with vent plug		auf Anfrage on request
10	Manometer Manometer		auf Anfrage on request
11	Edelstahl Spannring D. 360 mm Stainless steel clamping ring d 360 mm		auf Anfrage on request
11	Edelstahl Spannring D. 500 mm Stainless steel clamping ring d 500 mm		auf Anfrage on request
11	Edelstahl Spannring D. 600 mm Stainless steel clamping ring d 600 mm		auf Anfrage on request
12	Spannringschraube M8 x 100 mm Clamping ring screw M8 x 100 mm		auf Anfrage on request
13	Distanzhülse 12 x 40 mm Spacer 12 x 40 mm		auf Anfrage on request
14	Buchse ohne Gewinde Bush without thread		auf Anfrage on request

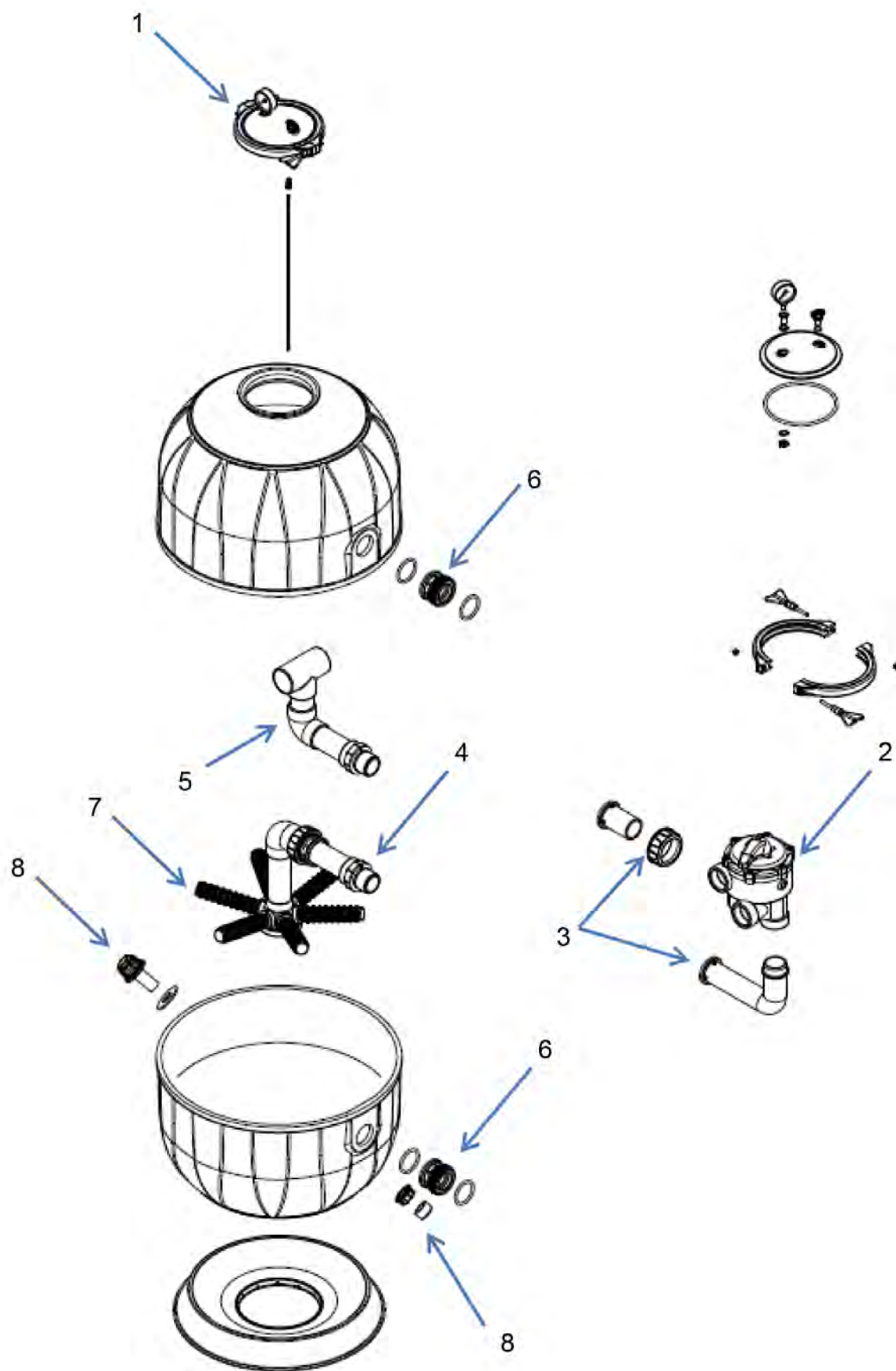
15	Buchse mit Gewinde M8 <i>Bush with thread M8</i>		auf Anfrage <i>on request</i>
16	Verrohrung - Oberteil D. 360 mm <i>Piping upper part d 360 mm</i>		auf Anfrage <i>on request</i>
16	Verrohrung - Oberteil D. 500 mm <i>Piping upper part d 500 mm</i>		auf Anfrage <i>on request</i>
16	Verrohrung - Oberteil D. 600 mm <i>Piping upper part d 600 mm</i>		auf Anfrage <i>on request</i>
17	Entleerung 3/8" <i>Drain plug 3/8"</i>		auf Anfrage <i>on request</i>
18	PVC Entlüftungsrohr D. 6 L.450 mm <i>PVC aerating pipe D.6 L 485 mm</i>		auf Anfrage <i>on request</i>
18	PVC Entlüftungsrohr D. 6 L.565 mm <i>PVC aerating pipe D.6 L 565 mm</i>		auf Anfrage <i>on request</i>
18	PVC Entlüftungsrohr D. 6 L.585 mm <i>PVC aerating pipe D.6 L 585 mm</i>		auf Anfrage <i>on request</i>
19	Filterdüsen D. 400 Länge 110 mm <i>Filter nozzle d 400 L 110 mm</i>		auf Anfrage <i>on request</i>
19	Filterdüsen D. 500 Länge 170 mm <i>Filter nozzle d 500 L 170 mm</i>		auf Anfrage <i>on request</i>
19	Filterdüsen D. 600 Länge 220 mm <i>Filter nozzle d 600 L 220 mm</i>		auf Anfrage <i>on request</i>
20	Mittelstück für Filterstern mit Entlüftungsbohrung <i>Center piece for filter star with aerating hole</i>		auf Anfrage <i>on request</i>
21	Verrohrung - Unterteil D. 360 mm <i>Piping bottom part d 360 mm</i>		auf Anfrage <i>on request</i>
21	Verrohrung - Unterteil D. 500 mm <i>Piping bottom part d 500 mm</i>		auf Anfrage <i>on request</i>
21	Verrohrung - Unterteil D. 600 mm <i>Piping bottom part d 600 mm</i>		auf Anfrage <i>on request</i>
22	Filterunterteil D. 360 <i>Filter bottom part d 360</i>		auf Anfrage <i>on request</i>
22	Filterunterteil D. 500 <i>Filter bottom part d 500</i>		auf Anfrage <i>on request</i>
22	Filterunterteil D. 600 <i>Filter bottom part d 600</i>		auf Anfrage <i>on request</i>



Ersatzteilliste / Spare Parts List				Code: pa		
			Innsbruck d510		Innsbruck d610	
Pos.	Artikel-bezeichnung Part Description		Art.-Nr. ref.-no.	Preis / Price EUR	Art.-Nr. ref.-no.	Preis / Price EUR
1	PMMA Sichtglas / Sight glass PMMA	DN200/15	75238	233,46	75238	233,46
2	Dichtung / Gasket	Ø6mm	75239	34,13	75239	34,13
3	Entlüftung kompl. / Vent cpl.	1/2" (VF)	74407	38,47	74407	38,47
4	Manometer / Manometer	up to 4bar	74406	45,92	74406	45,92
5	Diffuser / Diffuser	1 1/2" A&T	75240	60,87	75240	60,87
6	Filterarm / Filtering arm	0,25; Lt=143 Bayonet	75241	21,67	75245	27,21
7	Sammler / Collector	6 way (CB6)	75242	79,79	75242	79,79
8	Filter / Plug	TA2 3/4"	019-60-05	73,79	019-60-05	73,79
9	Ablaßhahn / Drain nozzle	SF 0,25; 91mm, 3/4"	75244	11,90	75244	11,90

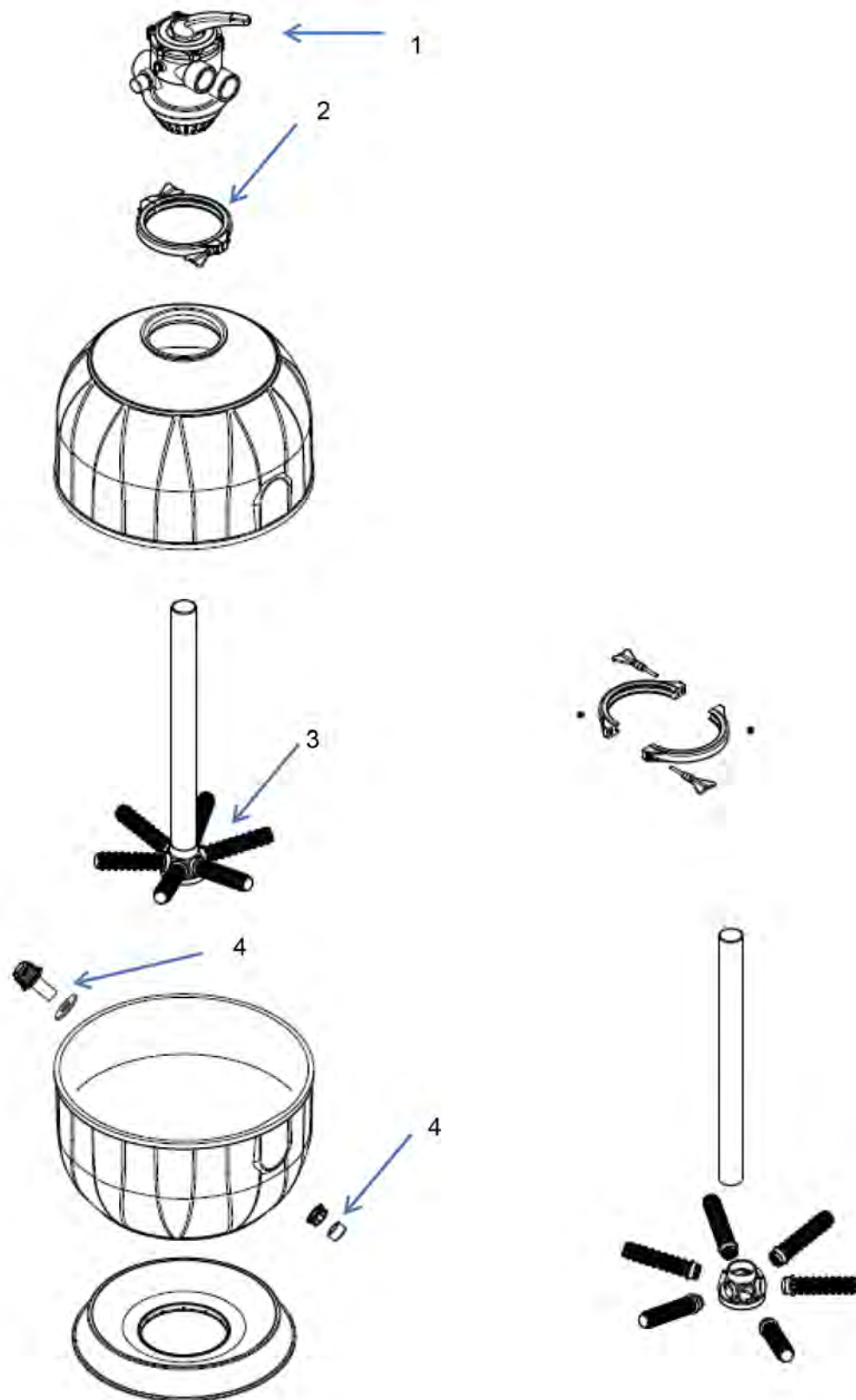
Ersatzteilliste / Spare Parts List				Code: pa		
			Innsbruck d780		Innsbruck d900	
Pos.	Artikel-bezeichnung Part Description		Art.-Nr. ref.-no.	Preis / Price EUR	Art.-Nr. ref.-no.	Preis / Price EUR
1	PMMA Sichtglas / Sight Glass PMMA	DN300/20	75246	701,00	75246	701,00
2	Dichtung / Gasket	Ø8mm	75247	49,80	75247	49,80
3	Entlüftung kompl. / Vent cpl.	1/2" (VF)	74407	38,47	74407	38,47
4	Manometer / Manometer	up to 4bar	74406	45,92	74406	45,92
5	Diffuser / Diffuser	2" A&T	75248	62,72	75248	62,72
6	Filterarm / Filtering Arm	0,25; Lt=270 Bajonett	75249	52,58	75253	54,41
7	Sammler / Collector	8 way (CB8)	75250	118,52	75250	118,52
8	Filter / Plug	TA2 3/4"	019-60-05	73,79	019-60-05	73,79
9	Ablaßhahn / Drain Nozzle	SF 0,25; 91mm; 3/4"	75244	11,90	75244	11,90

Bitte geben Sie uns die Artikelnummer des Filters und die benötigte Ersatzteilnummer an.
Please inform us about the filter reference and the required spare part number.



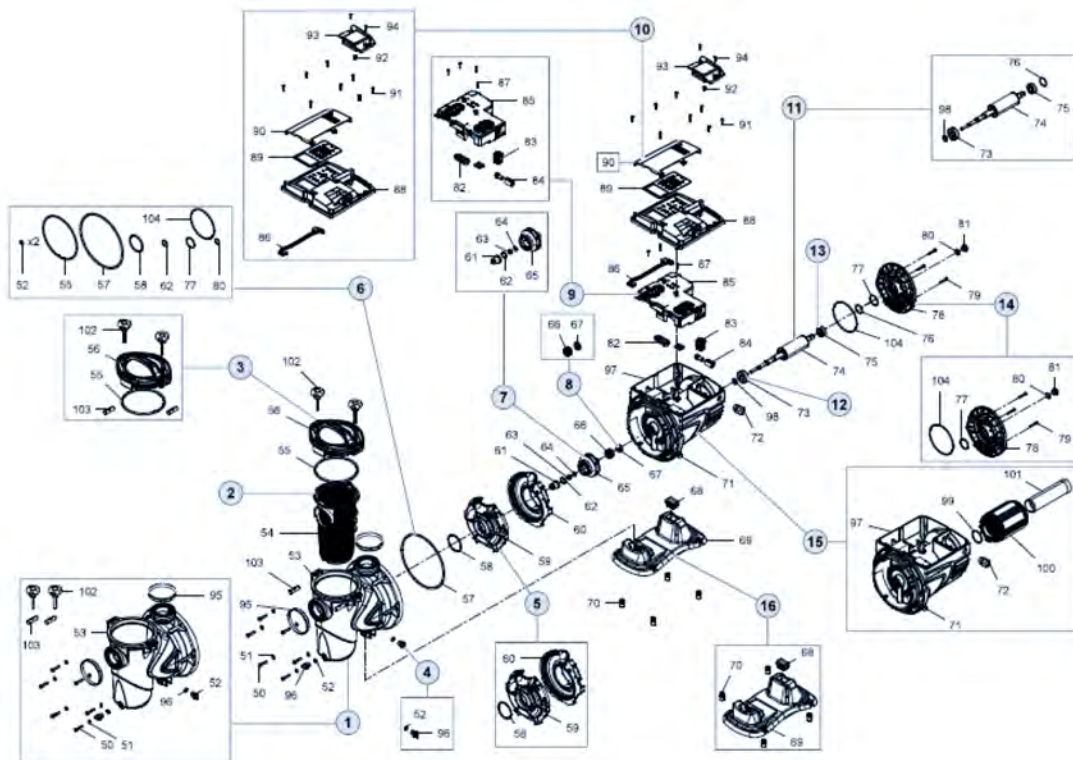
Bitte geben Sie uns die Artikelnummer des Filters und die benötigte Ersatzteilnummer an.
Please inform us about the filter reference and the required spare part number.

Ersatzteilliste / Spare Parts List			
Pos.	Artikelbezeichnung Part Description	Art.-Nr. Ref.-no.	Preis Price EUR
1	Verschluss oben komplett für Modelle D450, D530 and D620 sandfarben / Lid Kit for models D450, D530 and D620 sand color	7300334	73,19
	Verschluss oben komplett für Modelle D450, D530 and D620 transparent / Lid Kit for models D450, D530, D620 transparent	100100989	108,29
	Verschlussset oben komplett für Modell D790 sandfarben / Lid Kit for model D790 sand color	100100981	103,83
	Verschluss oben komplett für Modell D790 transparent / Lid Kit for model D790 transparent	100100990	142,32
2	Rückspülventil V6 side mount 1 1/2" / Back wash valve V6 SM 1 1/2"	131172a	52,00
	Rückspülventil V6 side mount 2" / Back wash valve V6 side mount 2"	131173a	102,00
3	Verrohrungsset 1 1/2" für Modelle D450, D530 and D620 / Pipe kit 1 1/2" for models D450, D530 and D620	170353	23,78
	Verrohrungsset 2" für Modelle D790 / Pipe kit for model D790	170855	36,74
4	Unteres Rohrset 1 1/2" excl. Pos 6 für Modell D450 / Lower internal Pipe kit excl. Pos 6 for model D450	100100965	166,03
	Unteres Rohrset 1 1/2" excl. Pos 6. für Modell D530 / Lower internal Pipe kit excl. Pos 6 for model D53	100100927	167,41
	Unteres Rohrset 1 1/2" excl. Pos 6. für Modell D620 / Lower internal Pipe kit excl. Pos 6 for model D620	100100929	168,79
	Unteres Rohrset 2" excl. Pos 6 für Modell D790 / Lower internal Pipe kit excl. Pos 6 for model D790	100100931	281,56
5	Oberes Rohrset 1 1/2" excl. Pos 6 für Modell D450 / Upper internal Pipe kit excl. Pos 6 for model D450	100100966	48,43
	Oberes Rohrset 1 1/2" für Modell D530 / Upper Pipe kit for model D530	100100928	52,07
	Oberes Rohrset 1 1/2" excl. Pos 6 für Modell D620 / Upper internal Pipe kit excl. Pos 6 for model D620	100100930	51,19
	Oberes Rohrset 2" excl. Pos 6 für Modell D790 / Upper internal Pipe kit excl. Pos 6 for model D790	100100932	71,95
6	Fitting 1 1/2" mit Dichtungen / Fitting 1 1/2" with sealings	MG011430	34,59
		S6070410	
	Fitting 2" mit Dichtungen / Fitting 2" with sealings	MG011470	40,35
		S6070610	
7	Verteiler mit 6 Anschlüssen für Modelle D450, D530, D620 / Connector with 6 connections for models D450, D530, D620	A6079010	48,43
	6 Verteilerarme (Preis pro Stück) für Modelle D450, D530, D620 / 6 Collecting arms (price per unit) for models D450, D530, D620	740227	13,83
	Verteiler mit 8 Anschlüssen für Modell D790 / Connector with 8 connections for model D790	A6079090	71,48
	8 Verteilerarme (Preis pro Stück) für Modell D790 / 8 Collecting arms (price per unit) for model D790	A6079080	16,14
8	komplettes Entleerungsventil 3/4" für alle Modelle / Discharge valve 3/4" complete for all models	A6079030	46,12
		A6013000	
		A6079040	
		A6079050	



Bitte geben Sie uns die Artikelnummer des Filters und die benötigte Ersatzteilnummer an.
Please inform us about the filter reference and the required spare part number.

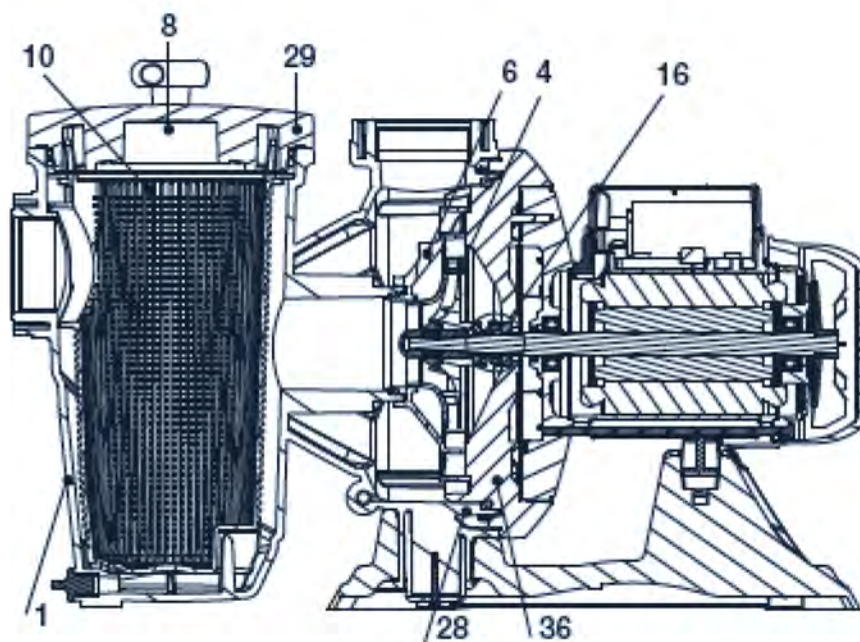
Ersatzteilliste / Spare Parts List			
Pos.	Artikelbezeichnung Part Description	Art.-Nr. Ref.- no.	Preis / Price EUR
1	Rückspülventil V6 SM 1 1/2" / Back wash valve V6 SM 1 1/2"	131239b	95,00
2	Klemmringset für Modelle D450, D530 and D620 / Closing clamp set for models D450, D530, D620	A9010300	33,26
		ADSP6000495	
		S9010280	
3	Verteiler mit 6 Anschlüssen für Modelle D450, D530, D620 / Connector with 6 connections for models D450, D530, D620	A6079010	48,43
	6 Verteilerarme (Preis pro Stück) für Modelle D450, D530, D620 / 6 collecting arms (price per unit) for models D450, D530, D620	740227	13,83
8	komplettes Entleerungsventil 3/4" für alle Modelle / Discharge valve 3/4" complete for all models	A6079030	46,12
		A6013000	
		A6079040	
		A6079050	



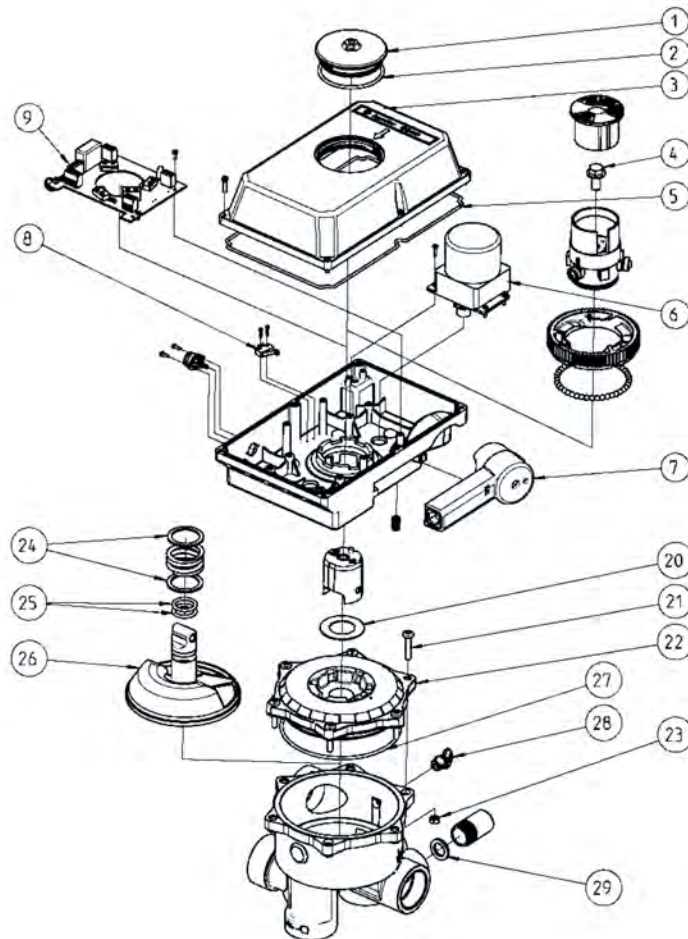
Ersatzteilliste / Spare Parts List			
Pos.	Artikelbezeichnung Part Description	Art.Nr. ref.-no.	Preis / Price EUR
1	Pumpenkörper Pump body		auf Anfrage on request
2	Vorfilter Filter		auf Anfrage on request
3	Ringmutter Nut ring		auf Anfrage on request
4	Entleerungskappe Discharge cap		auf Anfrage on request
5	Gehäuse Internal volute		auf Anfrage on request
6	O-Ring Set Kit O-rings		auf Anfrage on request
7	Lauftrad Impeller		auf Anfrage on request

8	Wellendichtung d15 <i>Shaft seal d 15</i>		auf Anfrage <i>on request</i>
9	Hauptplatine <i>Main board</i>		auf Anfrage <i>on request</i>
10	Niederspannungsplatine <i>Low voltage board</i>		auf Anfrage <i>on request</i>
11	Antriebswelle H100 <i>Pool rotor shaft H100</i>		auf Anfrage <i>on request</i>
12	Kugellager 6302-2RSH <i>Ball bearings 6302-2RSH</i>		auf Anfrage <i>on request</i>
13	Kugellager 6202-2RSH <i>Ball bearings 6202-2RSH</i>		auf Anfrage <i>on request</i>
14	Motorabdeckung <i>Motor cover</i>		auf Anfrage <i>on request</i>
15	Motorgehäuse <i>Stator housing</i>		auf Anfrage <i>on request</i>
16	Fuß <i>Base</i>		auf Anfrage <i>on request</i>
90	Bedienpanelabdeckung <i>User panel cover</i>		auf Anfrage <i>on request</i>

Peraqua® führt ein umfangreiches Ersatzteilprogramm seiner Technikkomponenten. Bitte führen Sie bei Ihrer Bestellung von Ersatzteilen die Artikelreferenz und die Seriennummer an.
Peraqua® keeps an extensive range of spare parts for our technical products. Please mention the product reference of the order and the serial number.

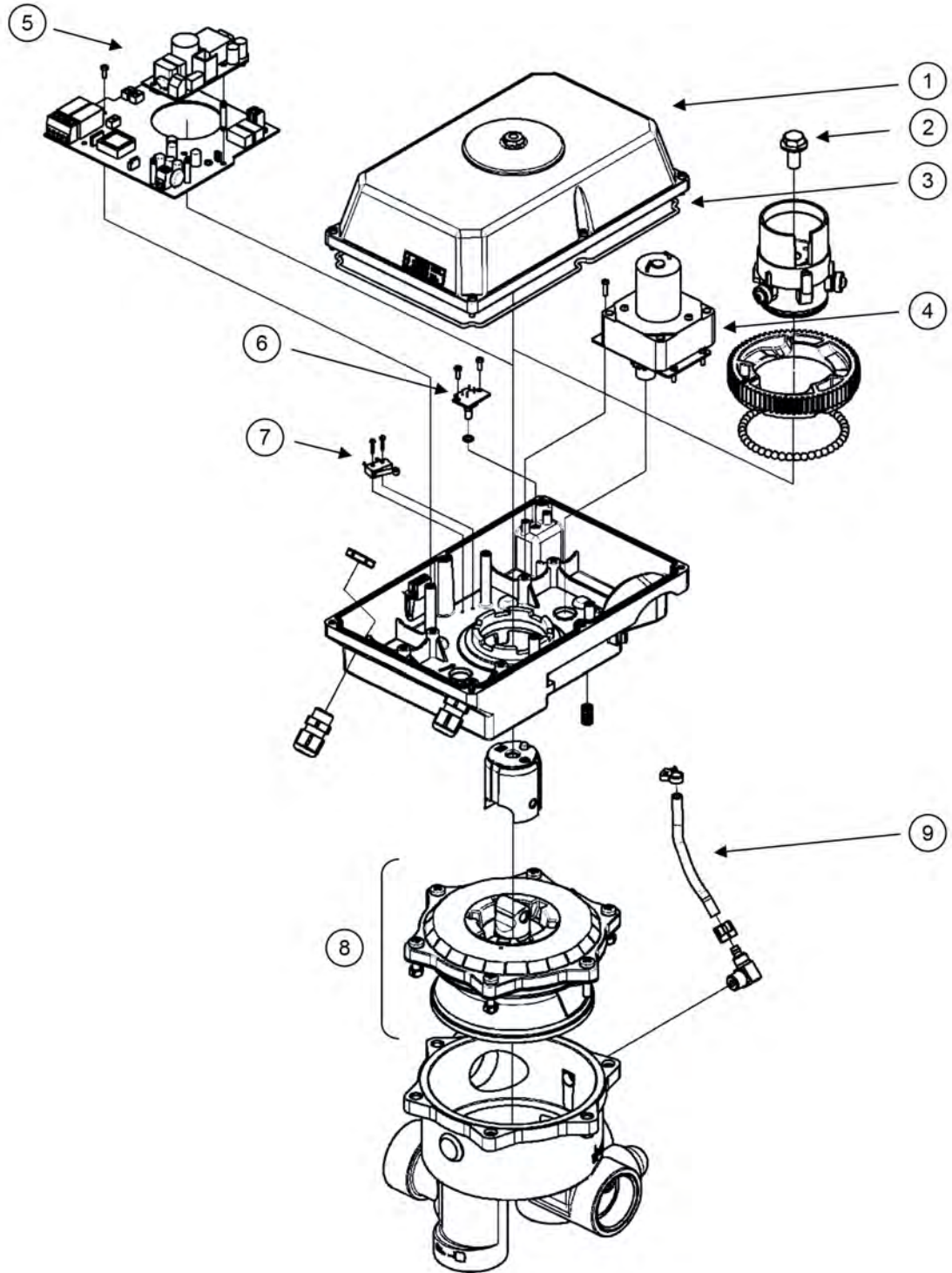


Ersatzteilliste / Spare Parts List		
Pos.	Artikelbezeichnung Part Description	Preis / Price EUR
1	Pumpengehäuse <i>Pump body</i>	auf Anfrage <i>on request</i>
4	Lauf­rad <i>Impeller</i>	auf Anfrage <i>on request</i>
6	Diffusor <i>Diffusor</i>	auf Anfrage <i>on request</i>
8	Vorfilter Abdeckung <i>Strainer cover</i>	auf Anfrage <i>on request</i>
10	Strainer <i>Vorfilter</i>	auf Anfrage <i>on request</i>
16	Mech. Dichtung <i>Mech. seal</i>	auf Anfrage <i>on request</i>
28	O-Ring <i>O-ring</i>	auf Anfrage <i>on request</i>
29	O-Ring <i>O-ring</i>	auf Anfrage <i>on request</i>



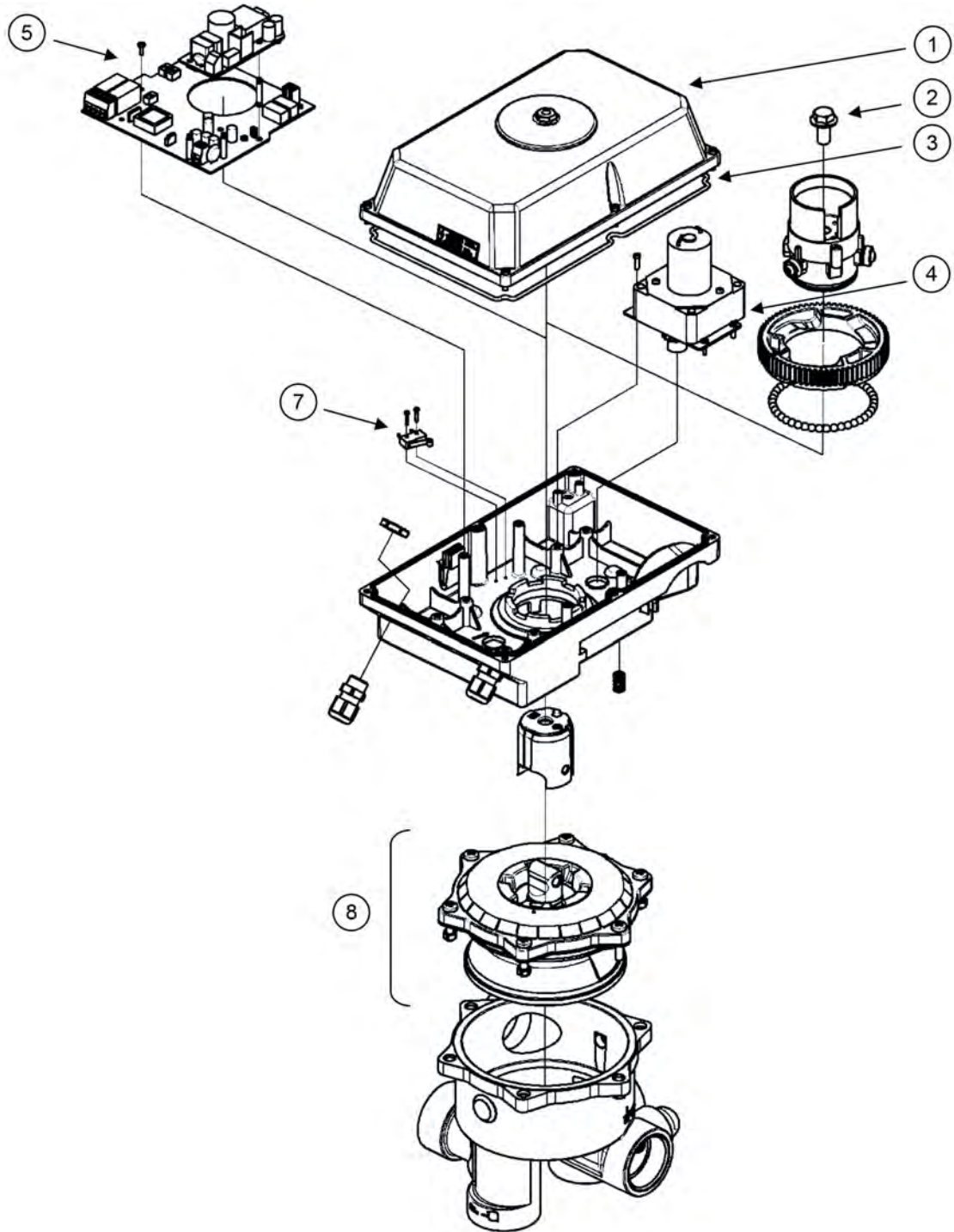
Ersatzteilliste für Antrieb / Spare Parts List for Actuator			
Pos.	Artikelbezeichnung Part Description	Art.-Nr. ref.-no.	Preis / Price EUR
3	Deckel blau-transparent / Lid blue transparent	101384	50,09
4	Sechskantschraube / Hexagon screw	80254	3,26
5	Moosgummischnur / Sponge rubber	140902	8,41
7	Notgriff / Emergency handle	101862	8,37
8	Pumpenendschalter / End switch	131336	84,82
6	Getriebemotor für Aquastar MP-6 1 1/2" und 2" und 3", 230V	131334	631,30
6	Getriebemotor für Aquastar MP-6 1 1/2" und 2" und 3", 24V	131335	621,91
9	Platine für Aquastar MP-6 1 1/2" und 2", 24V	131330	256,10
9	Platine für Aquastar MP-6 1 1/2" und 2", 230V	130331	235,77
9	Platine für Aquastar MP-6 3" 24V	131333	508,11
9	Platine für Aquastar MP-6 3" 230V	131332	314,95

Ersatzteilset für Ventil / Spare Parts Set for Valve			
Artikelbezeichnung Part Description	Art.-Nr. ref.-no.	bestehend aus consisting of	Preis / Price EUR
Dichtungsset / Sealing set 1 1/2"	141924	20,24,25,26,27,28,29	28,89
Dichtungsset / Sealing set 2"	141925	20,24,25,27,28,29,30	24,74
Dichtungsset / Sealing set 3"	141927	20,24,25,26,27	150,90
Schauglas mit O-Ring / Sight glass with o-ring	141918	1,2	20,66



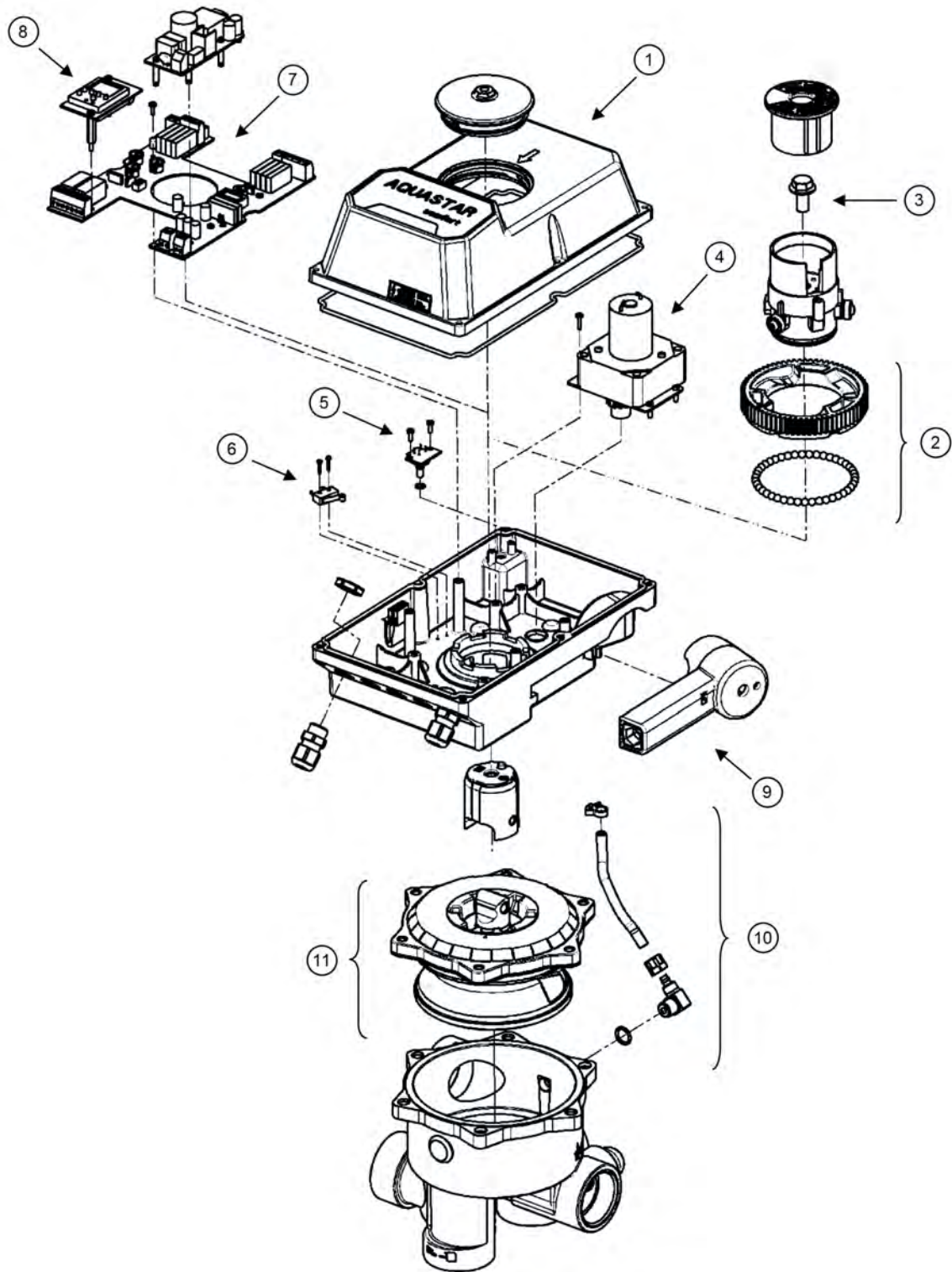
Ersatzteilliste / Spare Parts List			
Pos.	Artikelbezeichnung part description	Art.Nr. Ref.No.	Preis / Price EUR
1	Deckelset grau / cover grey	101908	50,09
2	Sechskantschraube verzinkt M10 x 20 / hexagon bold zinced M10 x 20	80254	3,26
3	Moosgummischnur / sponge rubber	140902	8,09
4	Getriebemotor 6V DC / Motor 6V DC	131280	353,65
4	Getriebemotor 24V / Motor 24V	-	auf Anfrage on request
5	Platine Easy 230V / Circuit board easy 230V	131307	775,00
5	Platine Easy 24V / Circuit board easy 24V	-	auf Anfrage on request
6	Druckschalterset / Pressure switch set	131348	359,85
7	Pumpenendschalter / end switch for pump	131281	29,87
8	Ventiloberteil komplett SM10/TM12 weiss / valve top complete SM10 white	130772	50,14
8	Ventiloberteil komplett SM10/TM12 schwarz / valve top complete SM10 black	130994	50,14
8	Ventiloberteil komplett SM11 ASA-GF / valve top complete SM10 ASA-GF	141930	53,54
8	Ventiloberteil komplett SM20/TM22 weiss / valve top complete SM10 white	131136	79,36
8	Ventiloberteil komplett SM20/TM22 schwarz / valve top complete SM10 black	131145	72,52
9	Schlauchset / hose set	141931	29,30
	Dichtsatz für Rückspülventil Ocean V6 ND 1 ½" / sealing kit for back wash valve Ocean V6 ND 1 ½"	141924*	28,89*
	Dichtungsset / Sealing set	142068*	43,63*

* siehe Ersatzteilliste für Ocean V6 ND 1,5"
see spare part list for Ocean V6 ND 1,5"



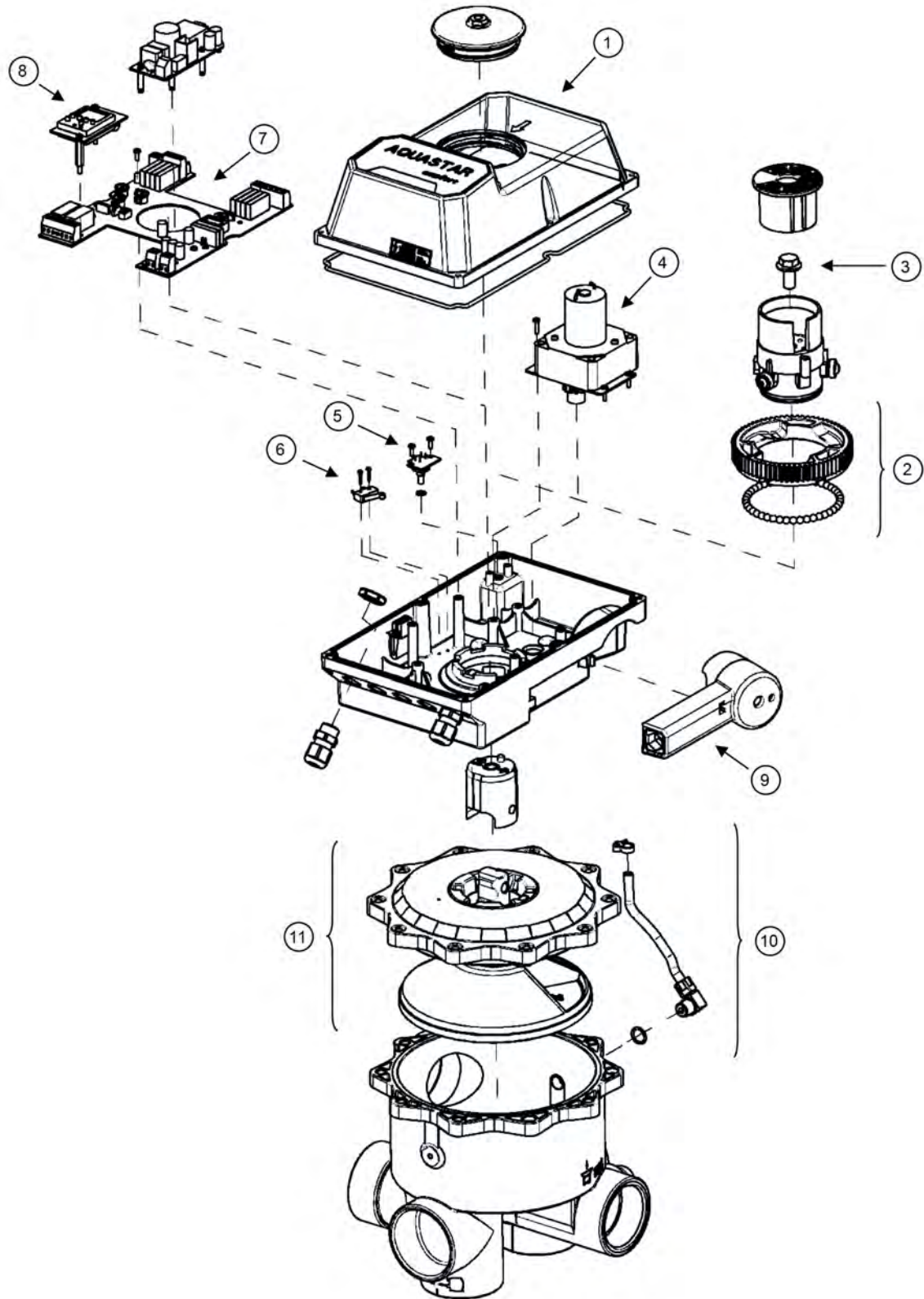
Ersatzteilliste / Spare Parts List			
Pos.	Artikelbezeichnung part description	Art.-Nr. ref.-no.	Preis / Price EUR
1	Deckel grau / cover grey	101908	50,09
2	Sechskantschraube verzinkt M10 x 20 / hexagon bolt zinced M10 x 20	80254	3,26
3	Moosgummischnur / sponge rubber	140902	8,09
4	Getriebemotor 6V DC / motor 6V DC	131280	353,65
4	Getriebemotor 24V / motor 24V	-	auf Anfrage on request
5	Platine Easy 230V / Circuit board Easy 230V	131307	775,00
5	Platine Easy 24V / Circuit board Easy 24V	-	auf Anfrage on request
7	Pumpenendschalter / end switch for pump	131281	29,87
8	Ventiloberteil komplett SM10/TM12 weiss / valve top complete SM10 / TM12 white	130772	50,14
8	Ventiloberteil komplett SM10/TM12 schwarz / valve top complete SM10 / TM12 black	130994	50,14
8	Ventiloberteil komplett SM11 ASA-GF / valve top complete SM11 ASA-GF	141930	53,54
8	Ventiloberteil komplett SM20/TM22 weiss / valve top complete SM10 white	131136	79,36
8	Ventiloberteil komplett SM20/TM22 schwarz / valve top complete SM10 black	131145	72,52
	Dichtsatz für Rückspülventil Ocean V6 ND 1 ½" / sealing kit for back wash valve Ocean V6 ND 1 ½"	141924*	28,89*
	Dichtsatz für Rückspülventil Ocean V6 ND 2" / sealing kit for back wash valve Ocean V6 ND 2"	142068*	43,63*

* siehe Ersatzteilliste für Ocean V6 ND 1 ½"
see spare part list for Ocean V6 ND 1 ½"



Ersatzteilliste / Spare Parts List			
Pos.	Artikelbezeichnung part description	Art.-Nr. ref.-no.	Preis / Price EUR
1	Deckelset blau transparent komplett montiert <i>cover-kit blue transparent complete mounted</i>	142067	83,68
2	Kurvenzahnrad eingefettet mit 43 Stahlkugeln <i>gearwheel incl. 43 steelballs</i>	140207	46,72
3	Sechskantschraube verzinkt M10x20 <i>hexagon bold zinced M10x20</i>	80254	3,26
4	Getriebemotor / motor	131280	353,65
5	Druckschalter im Set / pressure switch kit	131348	359,85
6	Pumpenendschalter / end switch for pump	131281	29,87
7	Platine Comfort 24V / Circuit board comfort 24V	131317	695,00
7	Platine Comfort 230V / Circuit board comfort 230V	131282	881,00
8	Digitaluhr 1 Kanal / digital clock 1 port	131283	284,21
8	Digitaluhr 2 Kanal / digital clock 2 port	131284	398,00
9	Notgriff / emergency handle	101862	8,37
10	Schlauchset / hose kit	141931	29,30
11	Ventiloberteil komplett SM10 / TM12 weiss <i>valve top complete SM10 white</i>	130772	50,14
11	Ventiloberteil komplett SM10 / TM12 schwarz <i>valve top complete SM10 black</i>	130994	50,14
11	Ventiloberteil komplett SM11 ASA-GF <i>valve top complete SM10 ASA-GF</i>	141930	53,54
	Umbausatz Safety Pack / conversion kit safety pack	131285	470,29
	Dichtungsset / sealing set	141924*	28,89*

* siehe Ersatzteilliste für Ocean V6 ND 1,5"
see spare part list für Ocean V6 ND 1,5"



Ersatzteilliste / Spare Parts List			
Pos.	Artikelbezeichnung part description	Art.-Nr. ref.-no.	Preis / Price EUR
1	Deckelset blau transparent komplett montiert / <i>cover-kit blue transparent complete mounted</i>	142067	83,68
2	Kurvenzahnrad eingefettet mit 43 Stahlkugeln / <i>gearwheel incl. 43 steel balls</i>	140207	46,72
3	Sechskantschraube verzinkt M10x20 / <i>hexagon bolt zined M10x20</i>	80254	3,26
4	Getriebemotor 6V DC / <i>motor 6V DC</i>	131280	353,65
5	Druckschalter im Set / <i>pressure switch kit</i>	131348	359,85
6	Pumpenendschalter / <i>end switch for pump</i>	131281	29,87
7	Platine Comfort 24V / <i>circuit board comfort 24V</i>	131317	695,00
7	Platine Comfort 230V / <i>circuit board comfort 230V</i>	131282	881,00
8	Digitaluhr 1 Kanal / <i>digital clock 1 port</i>	131283	284,21
8	Digitaluhr 2 Kanal / <i>digital clock 2 port</i>	131284	398,00
9	Notgriff / <i>emergency handle</i>	101862	8,37
10	Schlauchset / <i>hose kit</i>	141931	29,30
11	Ventiloberteil komplett SM20/TM22 weiss / <i>valve top complete SM10 white</i>	131136	79,36
11	Ventiloberteil komplett SM20/TM22 schwarz / <i>valve top complete SM10 black</i>	131145	72,52
	Umbausatz Safety Pack / <i>conversion kit safety pack</i>	131285	470,29
	Dichtungsset / <i>sealing set</i>	142068*	43,63*

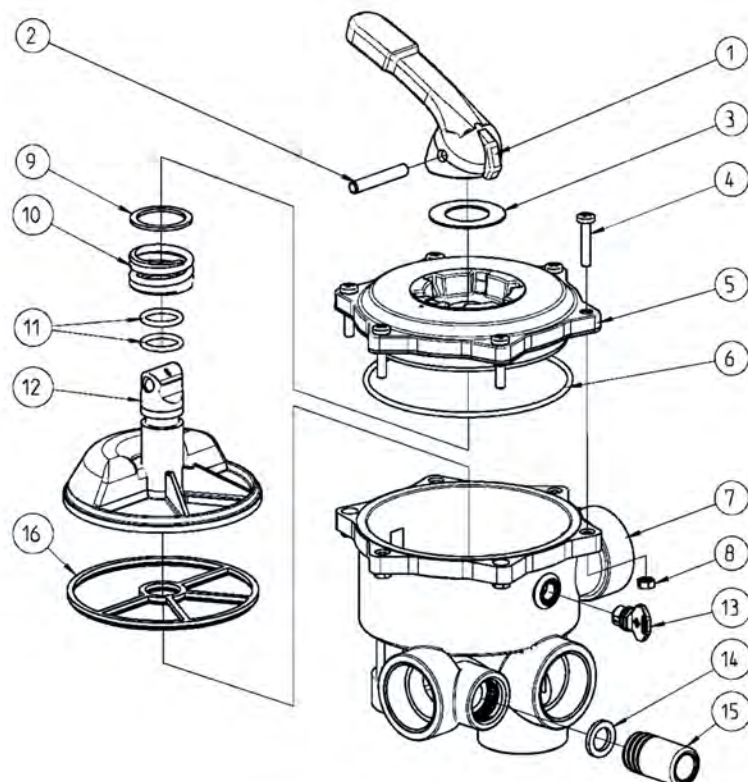
* siehe Ersatzteilliste für Ocean V6 ND 2"
see spare part list für Ocean V6 ND 2"

Ersatzteilliste / Spare Parts List			
Pos.	Artikelbezeichnung part description	Art.-Nr. ref.-no.	Preis / Price EUR
1	Deckelset blau transparent komplett montiert / cover-kit blue transparent complete mounted	142067	83,68
2	Kurvenzahnrad eingefettet mit 43 Stahlkugeln / gearwheel incl. 43 steel balls	140207	46,72
3	Sechskantschraube verzinkt M10x20 / hexagon bold zincd M10x20	80254	3,26
4	Getriebemotor / motor	131280	353,65
5	Druckschalter im Set / pressure switch kit	131348	359,85
6	Pumpenendschalter / end switch for pump	131281	29,87
7	Platine Comfort 24V / circuit board comfort 24V	131317	695,00
7	Platine Comfort 230V / circuit board comfort 230V	131282	881,00
8	Digitaluhr 1 Kanal / digital clock 1 port	131283	284,21
8	Digitaluhr 2 Kanal / digital clock 2 port	131284	398,00
9	Notgriff / emergency handle	101862	8,37
10	Schlauchset / hose kit	141931	29,30
11	Ventiloberteil komplett SM30 weiss / valve top complete SM10 white	130711	252,16
11	Ventiloberteil komplett SM30 schwarz / valve top complete SM10 black	141920	252,16
	Dichtungsset / sealing set	141927*	150,90*

* siehe Ersatzteilliste für Ocean V6 ND 3"
see spare part list für Ocean V6 ND 3"

Praher backwash valve V6 1½" SM

Old Sealing System

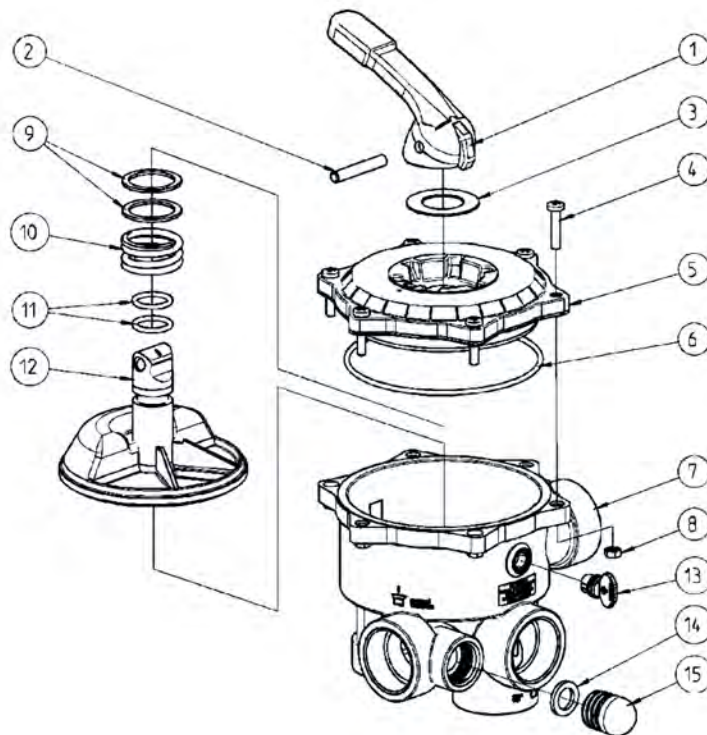


Ersatzteilliste / Spare Parts List			
Pos.	Artikelbezeichnung Part Description	Art.-Nr. ref.-no.	Preis / Price EUR
1	Griff / Handle	100011	3,57
2	Kunststoffbolzen 8 x 50 / Plastic pin 8x50	101985	2,50
3	POM-Scheibe 51x1,25 / POM Washer 51x1.25	100175	0,90
4	Schraube M6 A2 / Screw M6 A2	80278	2,51
5	Deckel gelasert, schwarz / Lid lasered, black	142430	33,57
5	Deckel gelasert, weiss / Lid lasered, white	142272	12,40
5	Deckel GFK / Lid GFK	140569	15,52
8	Mutter M6 A2 / nut M6 A2	80008	0,78
12	Ventilteller / Valve plate	100173	11,24
14	Flachdichtung 25x16x3 / flat gasket 25x16x3	50044	0,92
15	Schauglas, lang / sight glass long	100731	2,74
16	Sterndichtung / Star gasket	51323	6,96

Ersatzteilset / Spare Parts Set			
Artikelbezeichnung Part Description	Art.-Nr. ref.-no.	bestehend aus consisting of	Preis / Price EUR
Ventiloberteil komplett SM0 weiss / Valve top complete SM10 white	130106	1,2,3,5,9,10,11,12	50,14
Ventiloberteil komplett SM10 schwarz / Valve top complete SM10 black	131038	1,2,3,5,9,10,11,12	50,14
Ventiloberteil komplett SM11 natur / Valve top complete SM11 nature	141930	1,2,3,5,9,10,11,12	53,54
Dichtungsset / Sealing set	141923	3,6,9,11,13,14,12	20,89

Praher backwash valve V6 1½" SM/TM

New Sealing System

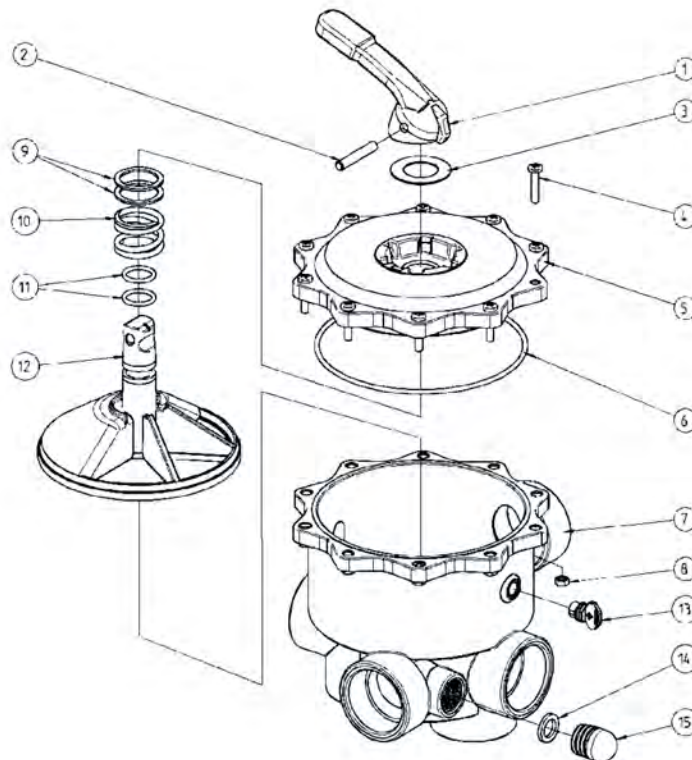


Ersatzteilliste / Spare Parts List			
Pos.	Artikelbezeichnung Part Description	Art.-Nr. ref.-no.	Preis / Price EUR
1	Griff / Handle	100011	3,57
2	Kunststoffbolzen 8 x 50 / Plastic pin 8x50	101985	2,50
3	POM Scheibe 51x1.25 / POM washer 51x1.25	100175	0,90
4	Schraube M6 A2 / Screw M6 A2	80278	2,51
5	Deckel gelasert, weiss / Lid lasered, white	142249	21,59
5	Deckel gelasert, schwarz / Lid lasered, black	142250	12,31
5	Deckel gelasert ASA-GF / Lid lasered ASA-GF	142251	45,62
6	O-ring / o-ring	50041A	6,89
8	Mutter M6 A2 inkl. Sterndichtung / nut M6 A2 incl. sealing	80008	0,78
12	Ventilteller ND / Valve plate ND	101869	17,43
14	Flachdichtung, 25x16x3/ flat gasket 25x16x3	50044	0,92
15	Schauglas kurz / sight glass short	100731	2,74

Ersatzteilset / Spare Parts Set			
Artikelbezeichnung Part Description	Art.-Nr. ref.-no.	bestehend aus consisting of	Preis / Price EUR
Ventiloberteil komplett SM10 weiss / Valve top complete SM10 white	130772	1,2,3,5,6,9,10,11,12	50,14
Ventiloberteil komplett SM10 schwarz / Valve top complete SM10 black	130994	1,2,3,5,6,9,10,11,12	50,14
Ventiloberteil komplett SM11 natur / Valve top complete SM11 nature	141930	1,2,3,5,6,9,10,11,12	53,54
Dichtungsset / Sealing set	141924	3,6,9,11,12,13,14	28,89

Praher backwash valve V6 2" SM/TM

New Sealing System

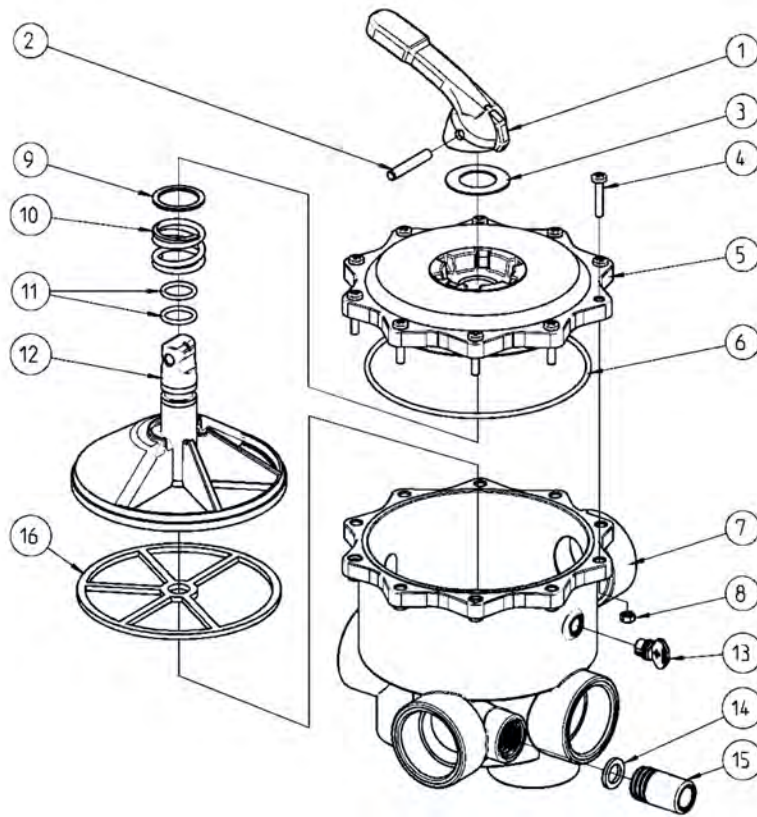


Ersatzteilliste / Spare Parts List			
Pos.	Artikelbezeichnung Part Description	Art.-Nr. ref.-no.	Preis / Price EUR
1	Griff / Handle	100011	3,57
2	Bolzen 8x50 / Bolt 8x50	101985	2,50
3	POM-Scheibe 51x1,25 / POM Washer 51x1.25	100175	0,90
4	Schraube M6 A2 / Screw M6 A2	80278	2,51
5	Deckel gelasert, weiss / Lid lasered, white	142253	18,89
5	Deckel gelasert, schwarz / Lid lasered, black	142254	18,89
5	Deckel gelasert ASA-GF / Lid lasered ASA-GF	142255	51,62
6	O-Ring / o-ring	50190A	8,12
8	Mutter M6 A2 / nut M6 A2	80008	0,78
12	Ventilteller ND / Valve plate ND	101854	48,14
14	Flachdichtung 25x16x3 / Flat gasket 25x16x3	50044	0,92
15	Schauglas, kurz / sight glass short	100731	2,74

Ersatzteilset / Spare Parts Set			
Artikelbezeichnung Part Description	Art.-Nr. ref.-no.	bestehend aus consisting of	Preis / Price EUR
Ventiloberteil komplett SM20+TM22 weiss / Valve top complete SM20+TM22 white	131136	1,2,3,5,6,9,10,11,12	79,36
Ventiloberteil komplett SM20+TM22 schwarz / Valve top complete SM20+TM22 black	131145	1,2,3,5,6,9,10,11,12	72,52
Ventiloberteil komplett SM21 ASA-GF / Valve top complete SM21 ASA-GF	131198	1,2,3,5,6,9,10,11,12	auf Anfrage on request
Dichtungsset / Sealing set	142068	3,6,9,11,12,13,14	43,63

Praher backwash valve V6 2" SM

Old Sealing System

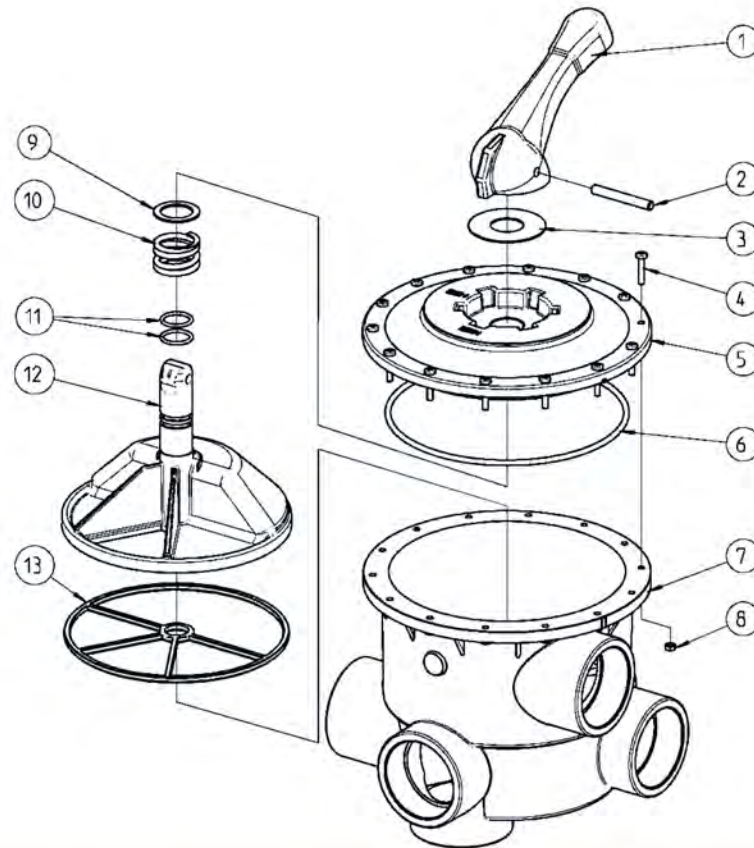


Ersatzteilliste / Spare Parts List			
Pos.	Artikelbezeichnung Part Description	Art.-Nr. ref.-no.	Preis / Price EUR
1	Griff / Handle	100011	3,57
2	Kunststoffbolzen 8 x 50 / Plastic pin 8x50	101985	2,50
3	POM-Scheibe 51x1,25 / POM Washer 51x1.25	100175	0,90
4	Schraube M6 A2 / Screw M6 A2	80278	2,51
5	Deckel gelasert, schwarz / Lid lasered, black	142479	51,34
5	Deckel gelasert, weiss / Lid lasered, white	142273	18,89
5	Deckel GFK / Lid GFK	140568	22,29
8	Mutter M6 A2 / nut M6 A2	80008	0,78
12	Ventilteller / Valve plate	100178	20,67
14	Flachdichtung 25x16x3 / flat gasket 25x16x3	50044	0,92
15	Schauglas, lang / sight glass, long	100731	2,74
16	Sterndichtung / Star gasket	50343	9,54

Ersatzteilset / Spare Parts Set			
Artikelbezeichnung Part Description	Art.-Nr. ref.-no.	bestehend aus consisting of	Preis / Price EUR
Ventiloberteil komplett SM20+TM22 weiss / Valve top complete SM20+TM22 white	130107	1,2,3,5,9,10,11,12	76,46
Ventiloberteil komplett SM20+TM22 schwarz / Valve top complete SM20+TM22 black	130112	1,2,3,5,9,10,11,12	76,46
Ventiloberteil komplett SM21 natur / Valve top complete SM21 nature	130111	1,2,3,5,9,10,11,12	79,83
Dichtungsset / Sealing set	141925	3,6,9,11,13,14,12	24,74

Praher backwash valve V6 3" SM

Old Sealing System

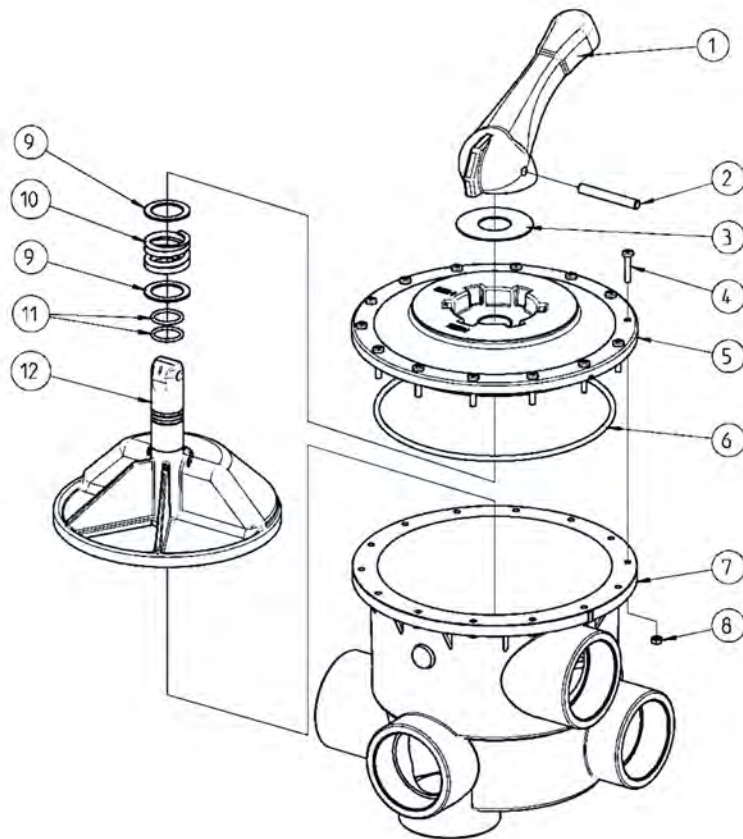


Ersatzteilliste / Spare Parts List			
Pos.	Artikelbezeichnung Part Description	Art.-Nr. ref.-no.	Preis / Price EUR
1	Griff / Handle	100302	14,08
2	Bolzen 10x76 / Bolt 10x76	50220	4,64
3	POM-Scheibe 85mm / POM Washer 85mm	100305	4,85
4	Schraube M6 A2 / Screw M6 A2	80278	2,51
5	Deckel gelasert, schwarz / Lid lasered, black	141657	73,58
5	Deckel gelasert, weiss / Lid lasered, white	140561	73,58
5	Deckel GFK / Lid GFK	141340	82,38
8	Mutter M6 A2 / nut M6 A2	80008	0,78
12	Ventilteller / Valve plate	140201	95,46
13	Sterndichtung / Star gasket	50342	22,07

Ersatzteilset / Spare Parts Set			
Artikelbezeichnung Part Description	Art.-Nr. ref.-no.	bestehend aus consisting of	Preis / Price EUR
Ventiloberteil komplett SM30 weiss / Valve top complete SM30 white	130135	1,2,3,5,9,10,11,12	252,16
Ventiloberteil komplett SM30 schwarz / Valve top complete SM30 black	141922	1,2,3,5,9,10,11,12	252,16
Ventiloberteil komplett SM31 natur / Valve top complete SM31 nature	130712	1,2,3,5,9,10,11,12	280,17
Dichtungsset / Sealing set	141926	3,6,9,11,13	45,57







Praher backwash valve V6 3" SM

New Sealing System




Ersatzteilliste / Spare Parts List			
Pos.	Artikelbezeichnung Part Description	Art.-Nr. ref.-no.	Preis / Price EUR
1	Griff / Handle	100302	14,08
2	Bolzen 10x76 / Bolt 10x76	50220	4,64
3	POM-Scheibe 85mm / POM Washer 85mm	100305	4,85
4	Schraube M6 A2 / Screw M6 A2	80278	2,51
5	Deckel gelasert, schwarz / Lid lasered, black	141657	73,58
5	Deckel gelasert, weiss / Lid lasered, white	140961	73,58
5	Deckel GFK / Lid GFK	141340	82,38
6	O-ring / o-ring	50218A	14,40
8	Mutter M6 A2 inkl. Sterndichtung / nut M6 A2 incl. sealing	80008	0,78
12	Ventilteller ND / valve plate ND	141341A	129,60


Ersatzteilset / Spare Parts Set			
Artikelbezeichnung Part Description	Art.-Nr. ref.-no.	bestehend aus consisting of	Preis / Price EUR
Ventiloberteil komplett SM30 weiss / Valve top complete SM30 white	130711	1,2,3,5,9,10,11,12	252,16
Ventiloberteil komplett SM30 schwarz / Valve top complete SM30 black	141920	1,2,3,5,9,10,11,12	252,16
Ventiloberteil komplett SM31 natur / Valve top complete SM31 nature	130712	1,2,3,5,9,10,11,12	280,17
Dichtungsset / Sealing set	141927	3,6,9,11,12	150,90


Filter dimension	ORIGINAL Praher Plastics V6 Backwash valves 10 YEARS WARRANTY against valve housing and lid leakage at proper handling and operation suitable for below listed SSA and Staudinger filter systems	Picture	Art.-Nr.	Gross price
Peraqua Filter Vienna I+II, Salzburg and SSA Filter Atlas				
d500	1 1/2" with Astral piping set clued, connection distance 125mm, white		131042	105,00 €
d600	1 1/2" with Astral piping set clued, connection distance 125mm, white		131042	105,00 €
d750	2" with Astral piping set clued, connection distance 125mm, white		131193	156,00 €
d900	2" with Astral piping set clued, connection distance 270mm, white		131193 + 70740	156,00 €
SSA Filter Europa				
d450	1 1/2" with Astral piping set clued, connection distance 125mm, white		131042	105,00 €
d500	1 1/2" with Astral piping set clued, connection distance 125mm, white		131042	105,00 €
d600	1 1/2" with Astral piping set clued, connection distance 125mm, white		131042	105,00 €
d750	2" with Astral piping set clued, connection distance 270mm, white		131193	156,00 €
SSA Filter Rapid				
d500	1 1/2" with Astral piping set clued, connection distance 125mm, white		131042	105,00 €
d650	1 1/2" with Astral piping set clued, connection distance 125mm, white		131042	105,00 €
d800	2" with Astral piping set clued, connection distance 125mm, white		131193	156,00 €
SSA Filter Fibertech				
d500	1 1/2" valve with Ocean elbow/pipe union d50		130762 + 150064 + 150108	68,50 €
d610	1 1/2" valve with Ocean elbow/pipe union d50		130762 + 150064 + 150108	68,50 €
SSA Filter Pro De Luxe				
d610	2" valve with Ocean elbow/union pipe d63		131150 + 150231 + 150232	132,00 €
d765	2" valve with Ocean elbow/union pipe d63		131150 + 150231 + 150232	132,00 €
d920	2 1/2" with solvent pipe union d75 black		77464	245,80 €
SSA Filter Artic				
d500	1 1/2" with Ocean elbow/pipe union d50		130762 + 150064 + 150108	68,50 €
d650	2" with Ocean elbow/pipe union d63		131150 + 150231 + 150232	132,00 €
d800	2 1/2" with solvent pipe union d75 (union parts on request) black		77464	245,80 €
d950	2 1/2" mit solvent pipe union d75 (union parts on request) black		77464	245,80 €


* for Top Mount Valves a PVC extension socket d50 or d63 is required in order to compensate the height difference at the basket.


Filter dimension	ORIGINAL Praher Plastics V6 Backwash valves 10 YEARS WARRANTY against valve housing and lid breakage at proper handling and operation suitable for below listed SSA and Staudinger filter systems	Picture	Art.-Nr.	Gross price
------------------	---	---------	----------	-------------

SSA Filter CANTABRIC Side Mount				
d400	1 1/2" with Astral piping set clued, connection distance 125mm, white		131042	105,00 €
d500	1 1/2" with Astral piping set clued, connection distance 125mm, white		131042	105,00 €
d600	1 1/2" with Astral piping set clued, connection distance 125mm, white		131042	105,00 €
d750	2" with Astral piping set clued, connection distance 125mm, white		131193	156,00 €
d900	2" with Astral piping set clued, connection distance 270mm, white		131193 + 70740	156,00 €

SSA Filter CANTABRIC Top Mount				
d400	1 1/2" Top Mount Ventil TM12-AS		130960	95,00 €
d500	1 1/2" Top Mount Ventil TM12-AS		130960	95,00 €
d600	1 1/2" Top Mount Ventil TM12-AS		130960	95,00 €

SSA Filter CORONA Side Mount				
d400	1 1/2" with Astral piping set clued, connection distance 125mm, white		131042	105,00 €
d500	1 1/2" with Astral piping set clued, connection distance 125mm, white		131042	105,00 €

SSA Filter BILBAO				
d400	1 1/2" with Astral piping set clued, connection distance 125mm, white		131042	105,00 €
d500	1 1/2" with Astral piping set clued, connection distance 125mm, white		131042	105,00 €
d600	2" with Astral piping set clued, connection distance 125mm, white		131152	156,00 €


STAUDINGER Filter DELTA Top Mount				
d380	1 1/2" Top Mount valve with trim ring TM12S 176mm		130810	95,00 €
d520	1 1/2" Top Mount valve with trim ring TM12S 176mm		130810	95,00 €
d380+d520	clamp ring TM12S Set incl. screws and nuts		170362	11,40 €

* for Top Mount Valves a PVC extension socket d50 or d63 is required in order to compensate the height difference at the basket.


Filter dimension	ORIGINAL Praher Plastics V6 Backwash valves 10 YEARS WARRANTY against valve housing and lid breakage at proper handling and operation suitable for below listed SSA and Staudinger filter systems	Picture	Art.-Nr.	Gross price
------------------	---	---------	----------	-------------


STAUDINGER Filter DELTA Side Mount				
d380	1 1/2" valve with Ocean elbow/pipe union d50		130762 + 150064 + 150108	68,50 €
d520	1 1/2" valve with Ocean elbow/pipe union d50		130762 + 150064 + 150108	68,50 €

STAUDINGER Filter ZIRKEL Side Mount				
d400	1 1/2" valve with Ocean elbow/pipe union d50		130762 + 150064 + 150108	68,50 €
d500	1 1/2" valve with Ocean elbow/pipe union d50		130762 + 150064 + 150108	68,50 €

PENTAIR TRITON / TRITON II MIT CLEARPRO TECHNOLOGY				
d480	1 1/2" with Pentair piping set clued incl nuts, connection distance 189mm, white		131082	105,00 €
d610	1 1/2" with Pentair piping set clued incl nuts, connection distance 189mm, white		131082	105,00 €
d762	2" with Pentair piping set clued incl nuts, connection distance 190.5mm, white		131047	156,00 €
d914	2" with Pentair piping set clued incl nuts, connection distance 190.5mm, white		131047	156,00 €


PENTAIR TAGELUS / TAGELUS II MIT CLEARPRO TECHNOLOGY				
d480	1 1/2" with SF trim ring d166mm, d50 basket, BSP threaded connection white		130830	95,00 €
d610	1 1/2" with SF trim ring d166mm, d50 basket, BSP threaded connection white		130830	95,00 €
d762	2" with T trim ring d209mm, d60.325 basket, BSP threaded connection black		130629	125,00 €

PENTAIR AZUR TOP MOUNT FILTER SERIE				
d375	1 1/2" with SF trim ring d166mm, d50 basket, BSP threaded connection white		130830	95,00 €
d475	1 1/2" with SF trim ring d166mm, d50 basket, BSP threaded connection white		130830	95,00 €
d560	1 1/2" with SF trim ring d166mm, d50 basket, BSP threaded connection white		130830	95,00 €
d660	1 1/2" with SF trim ring d166mm, d50 basket, BSP threaded connection white		130830	95,00 €


PROCOPI RTM + EXCELLENCE SIDE MOUNT FILTER				
d610A	1 1/2" PRAHER V6 valve BSP thread, Top+Bottom d50 without piping, black		130820	52,00 €
d610B	2" PRAHER V6 valve BSP thread, Top+Bottom d63 without piping, black		131063	102,00 €
d760	2" PRAHER V6 valve BSP thread, Top+Bottom d63 without piping, black		131063	102,00 €
d920	2" PRAHER V6 valve BSP thread, Top+Bottom d63 without piping, black PROCOPI piping set 1 1/2" + 2" not available/ solvent type		131063	102,00 €


* for Top Mount Valves a PVC extension socket d50 or d63 is required in order to compensate the height difference at the basket.


Filter dimension	ORIGINAL Praher Plastics V6 Backwash valves 10 YEARS WARRANTY against valve housing and lid breakage at proper handling and operation suitable for below listed SSA and Staudinger filter systems	Picture	Art.-Nr.	Gross price
------------------	---	---------	----------	-------------

KRIPSOL ARTIK SERIE SIDE MOUNT FILTER				
d520	1 1/2" PRAHER V6 valve BSP thread, SM10-3, white		130751	52,00 €
d640	1 1/2" PRAHER V6 valve BSP thread, SM10-3, white		130751	52,00 €
d760	2" PRAHER V6 valve BSP thread, SM20-3, white		131029	102,00 €
d900	2" PRAHER V6 valve BSP thread, SM20-3, white		131029	102,00 €
	KRIPSOL piping set 1 1/2" + 2" not available/ thread type			

KRIPSOL BALEAR SERIE SIDE MOUNT FILTER				
d400	1 1/2" PRAHER V6 valve BSP thread, SM10-3, white		130751	52,00 €
d450	1 1/2" PRAHER V6 valve BSP thread, SM10-3, white		130751	52,00 €
d520	1 1/2" PRAHER V6 valve BSP thread, SM10-3, white		130751	52,00 €
d640	1 1/2" PRAHER V6 valve BSP thread, SM10-3, white		130751	52,00 €
d680+d760+d900	2" PRAHER V6 valve BSP thread, SM20-3, white		131029	102,00 €
	KRIPSOL piping set 1 1/2" + 2" not available/ thread type			


ASTRAL CANTABRIC SIDE MOUNT FILTER				
d400	1 1/2" with Astral piping set clued, connection distance 125mm, white		131042	105,00 €
d500	1 1/2" with Astral piping set clued, connection distance 125mm, white		131042	105,00 €
d600	1 1/2" with Astral piping set clued, connection distance 125mm, white		131042	105,00 €
d750	2" with Astral piping set clued, connection distance 125mm, white		131193	156,00 €
d900	2 1/2" mit solvent pipe union d75 (union parts on request) schwarz		77464	245,80 €


ASTRAL CANTABRIC TOP MOUNT FILTER				
d400	1 1/2" Top Mount valve TM12-AS, BSP thread, basket d50, black		130960	95,00 €
d500	1 1/2" Top Mount valve TM12-AS, BSP thread, basket d50, black		130960	95,00 €
d600	1 1/2" Top Mount valve TM12-AS, BSP thread, basket d50, black		130960	95,00 €
d750	1 1/2" Top Mount valve TM12-AS, BSP thread, basket d50, black		130960	95,00 €
d750	2" Top Mount valve TM22-AS, BSP thread, basket d63, black		130927	125


ASTRAL ASTER SIDE MOUNT FILTER				
d450	1 1/2" with Astral piping set clued, connection distance 125mm, white		131042	105,00 €
d500	1 1/2" with Astral piping set clued, connection distance 125mm, white		131042	105,00 €
d600	1 1/2" with Astral piping set clued, connection distance 125mm, white		131042	105,00 €
d650	1 1/2" with Astral piping set clued, connection distance 125mm, white		131042	105,00 €
d750+d900	2" with Astral piping set clued, connection distance 125mm, white		131193	156,00 €


* for Top Mount Valves a PVC extension socket d50 or d63 is required in order to compensate the height difference at the basket.

Filter dimension	ORIGINAL Praher Plastics V6 Backwash valves 10 YEARS WARRANTY <i>against valve housing and lid breakage at proper handling and operation suitable for below listed SSA and Staudinger filter systems</i>	Picture	Art.-Nr.	Gross price
------------------	---	---------	----------	-------------

ASTRAL RAPIDPOOL SIDE MOUNT FILTER				
d400	1 1/2" with Astral piping set clued, connection distance 125mm, white		131042	105,00 €
d500	1 1/2" with Astral piping set clued, connection distance 125mm, white		131042	105,00 €
d650	1 1/2" with Astral piping set clued, connection distance 125mm, white		131042	105,00 €
d800	2" with Astral piping set clued, connection distance 125mm, white		131193	156,00 €

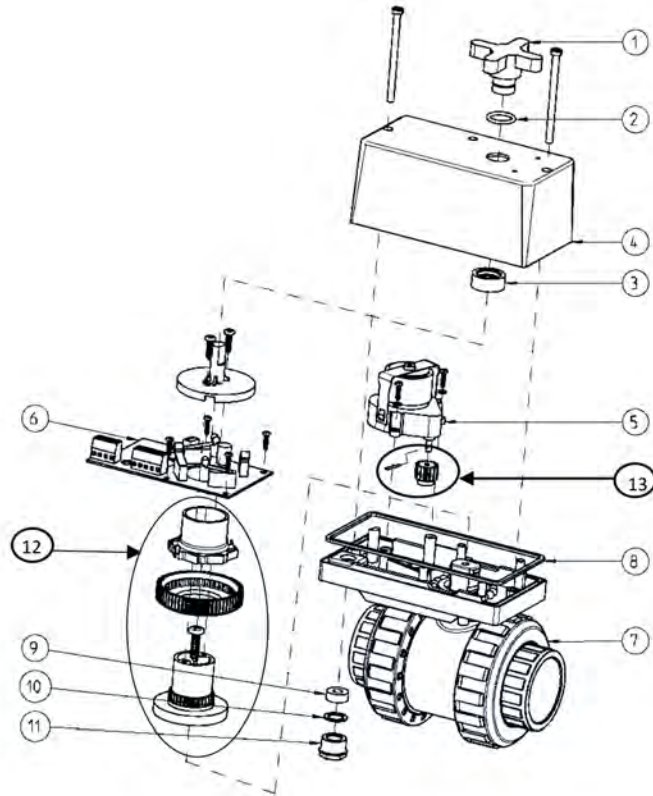
ASTRAL VESUBIO SIDE MOUNT FILTER				
d450	1 1/2" with Astral piping set clued, connection distance 125mm, white		131042	105,00 €
d500	1 1/2" with Astral piping set clued, connection distance 125mm, white		131042	105,00 €
d600	1 1/2" with Astral piping set clued, connection distance 125mm, white		131042	105,00 €
d750	2" with Astral piping set clued, connection distance 125mm, white		131193	156,00 €
d900, d1050,	2 1/2" mit solvent pipe union d75 (union parts on request) schwarz		77464	245,80 €

ASTRAL ATLAS SIDE MOUNT FILTER				
d500	1 1/2" with Astral piping set clued, connection distance 125mm, white		131042	105,00 €
d600	1 1/2" with Astral piping set clued, connection distance 125mm, white		131042	105,00 €
d750	2" with Astral piping set clued, connection distance 125mm, white		131193	156,00 €
d900	2 1/2" mit solvent pipe union d75 (union parts on request) schwarz		77464	245,80 €

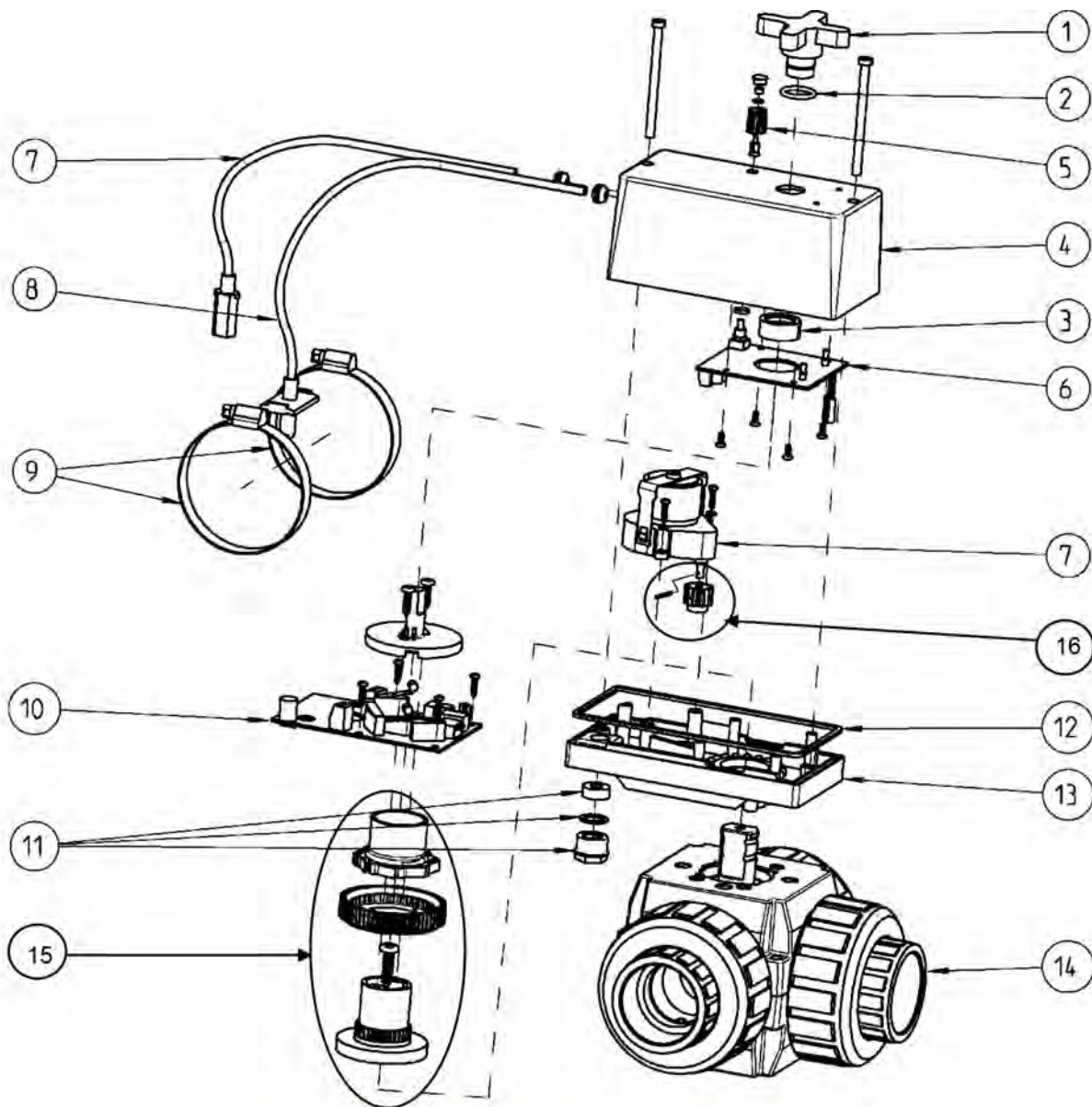
HAYWARD PRO SIDE MOUNT FILTER				
PRO SIDE MOUNT	1 1/2" with HAYWARD piping supplied unmounted, 150mm distance, black		130820 + 170261	75,80 €
PRO SIDE MOUNT	2" with HAYWARD piping supplied unmounted, 152mm distance, black		131063 + 170208	148,40 €

HAYWARD PRO TOP MOUNT FILTER				
PRO TOP MOUNT	1 1/2" HAYWARD TM12H8 clamp ring d208mm basket 48,4, BSP thread black		71714	95,00 €
PRO TOP MOUNT	2" HAYWARD TM22H8 clamp ring d208mm basket 60,325 BSP thread black		72211	125,00 €

* for Top Mount Valves a PVC extension socket d50 or d63 is required in order to compensate the height difference at the basket.

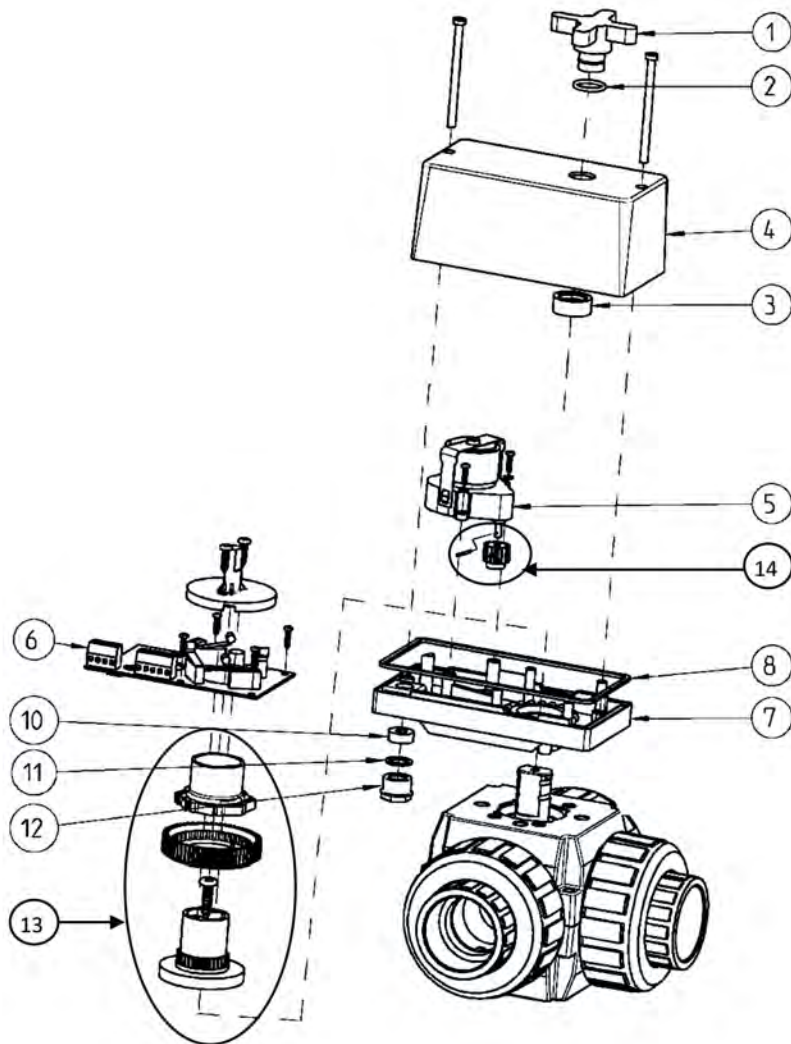


Ersatzteilliste / Spare Parts List			
Pos.	Artikelbezeichnung Part Description	Art.-Nr. ref.-no.	Preis / Price EUR
5	Getriebemotor - Ersatzteilset für EO510 ECO 230VAC / Motor - spare part kit for EO510 ECO - 230VAC	142353	201,02
5	Getriebemotor - Ersatzteilset für EO510 ECO 24VAC / Motor - spare part kit for EO510 ECO - 24VAC	142352	333,80
6	Platinen-Ersatzteilset für EO510 ECO - 230VAC / Circuit board - spare part kit for EO510 ECO - 230VAC	142351	106,72
6	Platinen-Ersatzteilset für EO510 ECO - 24VAC / Circuit board - spare part kit for EO510 ECO - 24VAC	142350	106,72
12	Zahnrad, Mitnehmer und Kupplung / Gear-wheel, driving dog and coupler	140088	25,03
13	Zahnrad mit Spannstift PA natur Z=15 / Gearwheel with tension dowel PA nature Z=15	120712	4,27

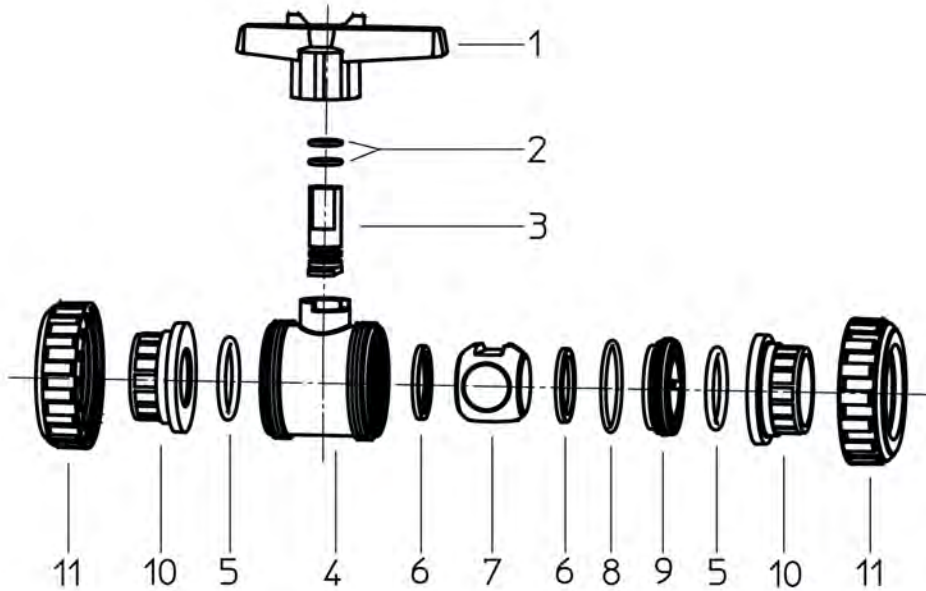


Ersatzteilliste / Spare Parts List

Pos.	Artikelbezeichnung Part Description	Art.-Nr. ref.-no.	Preis / Price EUR
6	Platine für Solar Control SC04 Steuereinheit / Circuit board for Solar Control SC04 control-unit	31358	206,82
7	Temperaturfühler rot, Kunststoffhülse mit 10m Kabel / Sensor red with 10m cable	31335	196,06
8	Temperaturfühler blau, Kunststoffhülse mit 3m Kabel / Sensor blue with 3m cable	31338	146,44
10	Platine - Ersatzteilset für Kugelhahn EO510 SC04 / Circuit board - Spare part kit for ball valve EO510 SC04	142482	455,00
15	Zahnrad, Mitnehmer und Kupplung / Gear-wheel, driving dog and coupler	140088	25,03
16	Zahnrad mit Spannstift PA natur Z=15 / Gearweel with tension dowel PA nature Z=15	120712	4,27



Ersatzteilliste / Spare Parts List			
Pos.	Artikelbezeichnung Part Description	Art.-Nr. ref.-no.	Preis / Price EUR
5	Getriebemotor - Ersatzteilset für EO510 ECO 230VAC / Motor - spare part kit for EO510 ECO - 230VAC	142353	201,02
5	Getriebemotor - Ersatzteilset für EO510 ECO 24VAC / Motor - spare part kit for EO510 ECO - 24VAC	142352	333,80
6	Platinen-Ersatzteilset für EO510 ECO - 230VAC / Circuit board - spare part kit for EO510 ECO - 230VAC	142351	106,72
6	Platinen-Ersatzteilset EO510 ECO - 24VAC / Circuit board - spare part kit EO510 ECO - 24VAC	142350	106,72
13	Zahnrad, Mitnehmer und Kupplung / Gear-wheel, driving dog and coupler	140088	25,03
14	Zahnrad mit Spannstift PA natur Z=15 / Gearwheel with tension dowel PA nature Z=15	120712	4,27



Ersatzteilliste DN10/15 / Spare Parts List DN10/15			
Pos.	Artikelbezeichnung Part Description	Art.-Nr. ref.-no.	Preis / Price EUR
1	Griff orange / Handle orange	100002A	3,08
3	Welle / Shaft	100463	2,49
10	Klebemuffe metrisch DN10 / Solvent socket metric DN10	100555	2,25
10	Klebemuffe metrisch DN15 / Solvent socket metric DN15	100553	2,25
10	Schweißstutzen PE DN10 / Fusion spigot PE DN10	100867	4,93
10	Schweißstutzen PE DN15 / Fusion spigot PE DN15	100868	4,93
10	Gewindemuffe BSP DN10 / Female thread socket BSP DN10	140414	3,86
10	Gewindemuffe BSP DN15 / Female thread socket BSP DN15	140417	3,86
10	Klebemuffe zöllig ASTM DN10 / Solvent socket ASTM DN10	100556	2,25
10	Klebemuffe zöllig ASTM DN15 / Solvent socket ASTM DN15	100554	2,25
10	Klebestutzen metrisch DN10 / Solvent socket metric DN10	100724	2,25
10	Klebestutzen metrisch DN15 / Solvent socket metric DN15	100725	2,25
11	Überwurfmutter S6 DN10/15 / Union nut S6 DN10/15	101941	8,41

Ersatzteilset DN10/DN15 / Spare Parts Set DN10/DN15			
Artikelbezeichnung Part Description	Art.-Nr. ref.-no.	bestehend aus Pos. consisting of Pos.	Preis / Price EUR
Dichtungsset EPDM-PTFE / Sealing set EPDM-PTFE	142046	2, 5, 6, 7, 8	46,80
Dichtungsset FPM-PTFE / Sealing set FPM-PTFE	142047	2, 5, 6, 7, 8	54,95
Dichtungsset EPDM-PE / Sealing set EPDM-PE	142048	2, 5, 6, 7, 8	42,90
Dichtungsset FPM-PE / Sealing set FPM-PE	142049	2, 5, 6, 7, 8	51,30

Ersatzteilliste DN20 / Spare Parts List DN20			
Pos.	Artikelbezeichnung Part Description	Art.-Nr. ref.-no.	Preis / Price EUR
1	Griff orange / Handle orange	100019B	3,48
3	Welle / Shaft	100464A	3,22
10	Klebemuffe metrisch / Solvent socket metric	100551	2,51
10	Schweißstutzen PE / Fusion spigot PE	140495A	4,50
10	Gewindemuffe BSP / Female thread socket BSP	140420	4,18
10	Klebemuffe zöllig ASTM / Solvent socket ASTM	101021	2,51
10	Klebestutzen metrisch / Solvent socket metric	100726	2,51
11	Überwurfmutter / Union nut	101942	10,11

Ersatzteilset DN20 / Spare Parts Set DN20			
Artikelbezeichnung Part Description	Art.-Nr. ref.-no.	bestehend aus Pos. consisting of Pos.	Preis / Price EUR
Dichtungsset EPDM-PTFE / Sealing set EPDM-PTFE	142054	2, 5, 6, 7, 8	54,84
Dichtungsset FPM-PTFE / Sealing set FPM-PTFE	142055	2, 5, 6, 7, 8	65,82
Dichtungsset EPDM-PE / Sealing set EPDM-PE	142056	2, 5, 6, 7, 8	48,86
Dichtungsset FPM-PE / Sealing set FPM-PE	142057	2, 5, 6, 7, 8	59,92

Ersatzteilliste DN25 / Spare Parts List DN25			
Pos.	Artikelbezeichnung Part Description	Art.-Nr. ref.-no.	Preis / Price EUR
1	Griff orange / Handle orange	100022A	3,48
3	Welle / Shaft	100464A	3,22
10	Klebemuffe metrisch / Solvent socket metric	100557	2,87
10	Schweißstutzen PE / Fusion spigot PE	140496A	4,81
10	Gewindemuffe BSP / Female thread socket BSP	140423	4,56
10	Klebemuffe zöllig ASTM / Solvent socket ASTM	100974	2,87
10	Klebestutzen metrisch / Solvent socket metric	100727	2,87
11	Überwurfmutter / Union nut	101943	10,88

Ersatzteilset DN25 / Spare Parts Set DN25			
Artikelbezeichnung Part Description	Art.-Nr. ref.-no.	bestehend aus Pos. consisting of Pos.	Preis / Price EUR
Dichtungsset EPDM-PTFE / Sealing set EPDM-PTFE	142058	2, 5, 6, 7, 8	60,39
Dichtungsset FPM-PTFE / Sealing set FPM-PTFE	142059	2, 5, 6, 7, 8	72,91
Dichtungsset EPDM-PE / Sealing set EPDM-PE	142060	2, 5, 6, 7, 8	54,51
Dichtungsset FPM-PE / Sealing set FPM-PE	142061	2, 5, 6, 7, 8	66,35

Ersatzteilliste DN32 / Spare Parts List DN32			
Pos.	Artikelbezeichnung Part Description	Art.-Nr. ref.-no.	Preis / Price EUR
1	Griff orange / Handle orange	100040B	3,74
3	Welle / Shaft	100466	3,21
10	Klebemuffe metrisch / Solvent socket metric	100450	3,17
10	Schweißstutzen PE / Fusion spigot PE	140071A	5,08
10	Gewindemuffe BSP / Female thread socket BSP	140426	4,82
10	Klebemuffe zöllig ASTM / Solvent socket ASTM	101022	3,17
10	Klebestutzen metrisch / Solvent socket metric	100668	3,17
11	Überwurfmutter / Union nut	101944	12,57

Ersatzteilset DN32 / Spare Parts Set DN32			
Artikelbezeichnung Part Description	Art.-Nr. ref.-no.	bestehend aus Pos. consisting of Pos.	Preis / Price EUR
Dichtungsset EPDM-PTFE / Sealing set EPDM-PTFE	142062	2, 5, 6, 7, 8	67,13
Dichtungsset FPM-PTFE / Sealing set FPM-PTFE	142063	2, 5, 6, 7, 8	84,50
Dichtungsset EPDM-PE / Sealing set EPDM-PE	142064	2, 5, 6, 7, 8	61,39
Dichtungsset FPM-PE / Sealing set FPM-PE	142065	2, 5, 6, 7, 8	78,35

Ersatzteilliste DN40 / Spare Parts List DN40			
Pos.	Artikelbezeichnung Part Description	Art.-Nr. ref.-no.	Preis / Price EUR
1	Griff orange / Handle orange	100052B	5,21
3	Welle / Shaft	100422A	3,50
10	Klebemuffe metrisch / Solvent socket metric	100451	3,41
10	Schweißstutzen PE / Fusion spigot PE	140445	5,75
10	Gewindemuffe BSP / Female thread socket BSP	140240	5,37
10	Klebemuffe zöllig ASTM / Solvent socket ASTM	100560	3,41
10	Klebestutzen metrisch / Solvent socket metric	100667	3,41
11	Überwurfmutter / Union nut	101519	6,12

Ersatzteilset DN40 / Spare Parts Set DN40			
Artikelbezeichnung Part Description	Art.-Nr. ref.-no.	bestehend aus Pos. consisting of Pos.	Preis / Price EUR
Dichtungsset EPDM-PTFE / Sealing set EPDM-PTFE	141890	2, 5, 6, 7, 8	72,08
Dichtungsset FPM-PTFE / Sealing set FPM-PTFE	141891	2, 5, 6, 7, 8	93,90
Dichtungsset EPDM-PE / Sealing set EPDM-PE	141888	2, 5, 6, 7, 8	66,06
Dichtungsset FPM-PE / Sealing set FPM-PE	141889	2, 5, 6, 7, 8	87,63

Ersatzteilliste DN50 / Spare Parts List DN50			
Pos.	Artikelbezeichnung Part Description	Art.-Nr. ref.-no.	Preis / Price EUR
1	Griff orange / Handle orange	101170B	3,56
3	Welle / Shaft	100422A	3,50
10	Klebemuffe metrisch / Solvent socket metric	100500	4,44
10	Schweißstutzen PE / Fusion spigot PE	140112	9,75
10	Gewindemuffe BSP / Female thread socket BSP	140405	9,43
10	Klebemuffe zöllig ASTM / Solvent socket ASTM	100561	4,44
10	Klebestutzen metrisch / Solvent socket metric	100666	4,44
11	Überwurfmutter / Union nut	101520	10,52

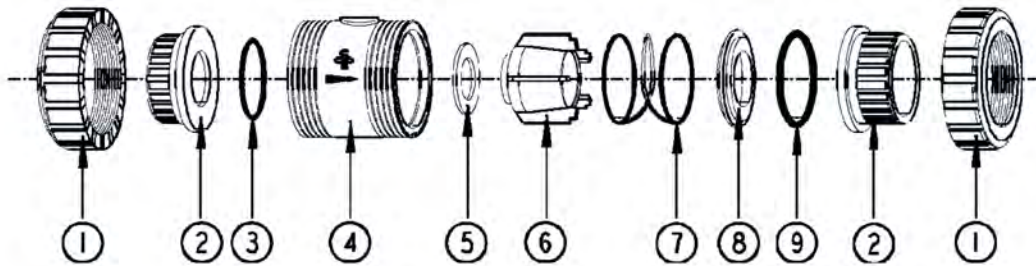
Ersatzteilset DN50 / Spare Parts Set DN50			
Artikelbezeichnung Part Description	Art.-Nr. ref.-no.	bestehend aus Pos. consisting of Pos.	Preis / Price EUR
Dichtungsset EPDM-PTFE / Sealing set EPDM-PTFE	141894	2, 5, 6, 7, 8	82,20
Dichtungsset FPM-PTFE / Sealing set FPM-PTFE	141895	2, 5, 6, 7, 8	101,76
Dichtungsset EPDM-PE / Sealing set EPDM-PE	141892	2, 5, 6, 7, 8	72,56
Dichtungsset FPM-PE / Sealing set FPM-PE	141893	2, 5, 6, 7, 8	89,82

Ersatzteilliste DN65 / Spare Parts List DN65			
Pos.	Artikelbezeichnung Part Description	Art.-Nr. ref.-no.	Preis / Price EUR
1	Griff orange / Handle orange	100077A	9,49
3	Welle / Shaft	142019	8,33
10	Klebemuffe metrisch / Solvent socket metric	140186	11,35
10	Schweißstutzen PE / Fusion spigot PE	140196	32,67
10	Gewindemuffe BSP / Female thread socket BSP	140177	23,12
10	Klebemuffe zöllig ASTM / Solvent socket ASTM	140565	11,35
10	Klebestutzen metrisch / Solvent socket metric	140776	11,35
11	Überwurfmutter / Union nut	101995	44,73

Ersatzteilset DN 65 / Spare Parts Set DN65			
Artikelbezeichnung Part Description	Art.-Nr. ref.-no.	bestehend aus Pos. consisting of Pos.	Preis / Price EUR
Dichtungsset EPDM-PTFE / Sealing set EPDM-PTFE	142256	2, 5, 6, 7, 8	220,35
Dichtungsset FPM-PTFE / Sealing set FPM-PTFE	142258	2, 5, 6, 7, 8	320,97
Dichtungsset EPDM-PE / Sealing set EPDM-PE	142257	2, 5, 6, 7, 8	198,55
Dichtungsset FPM-PE / Sealing set FPM-PE	142259	2, 5, 6, 7, 8	299,87

Ersatzteilliste DN80 / Spare Parts List DN80			
Pos.	Artikelbezeichnung Part Description	Art.-Nr. ref.-no.	Preis / Price EUR
1	Griff orange / Handle orange	100287	13,23
3	Welle / Shaft	140545	13,89
9	Druckring / Pressure ring	140324	23,37
10	Klebemuffe metrisch / Solvent socket metric	142485	54,84
10	Schweißstutzen PE / Fusion spigot PE	142225	48,20
10	Gewindemuffe BSP / Female thread socket BSP	140178	31,32
10	Klebemuffe zöllig ASTM/ Solvent socket ASTM	140020	23,37
10	Klebestutzen metrisch / Solvent socket metric	140617	23,37
11	Überwurfmutter / Union nut	142112	78,85

Ersatzteilset DN80 / Spare Parts Set DN80			
Artikelbezeichnung Part Description	Art.-Nr. ref.-no.	bestehend aus Pos. consisting of Pos.	Preis / Price EUR
Dichtungsset EPDM-PTFE / Sealing set EPDM-PTFE	142364	2, 5, 6, 7, 8	415,35
Dichtungsset FPM-PTFE / Sealing set FPM-PTFE	142365	2, 5, 6, 7, 8	516,92
Dichtungsset EPDM-PE / Sealing set EPDM-PE	142366	2, 5, 6, 7, 8	383,02
Dichtungsset FPM-PE / Sealing set FPM-PE	142367	2, 5, 6, 7, 8	484,29



Ersatzteilset DN10/15 / Spare Parts Set DN10/15			
Artikelbezeichnung Part Description	Art.-Nr. ref.-no.	bestehend aus consisting of	Preis / Price EUR
Dichtungsset EPDM Sealing set EPDM	140000	3, 5, 9	6,30
Dichtungsset FPM Sealing set FPM	140983	3, 5, 9	36,89

Ersatzteilset DN20 / Spare Parts Set DN20			
Artikelbezeichnung Part Description	Art.-Nr. ref.-no.	bestehend aus consisting of	Preis / Price EUR
Dichtungsset EPDM Sealing set EPDM	140010	3, 5, 9	6,87
Dichtungsset FPM Sealing set FPM	140984	3, 5, 9	39,08

Ersatzteilset DN25 / Spare Parts Set DN25			
Artikelbezeichnung Part Description	Art.-Nr. ref.-no.	bestehend aus consisting of	Preis / Price EUR
Dichtungsset EPDM Sealing set EPDM	140012	3, 5, 9	8,61
Dichtungsset FPM Sealing set FPM	140985	3, 5, 9	48,20

Ersatzteilset DN32 / Spare Parts Set DN32			
Artikelbezeichnung Part Description	Art.-Nr. ref.-no.	bestehend aus consisting of	Preis / Price EUR
Dichtungsset EPDM Sealing set EPDM	140016	3, 5, 9	9,57
Dichtungsset FPM Sealing set FPM	140986	3, 5, 9	52,08

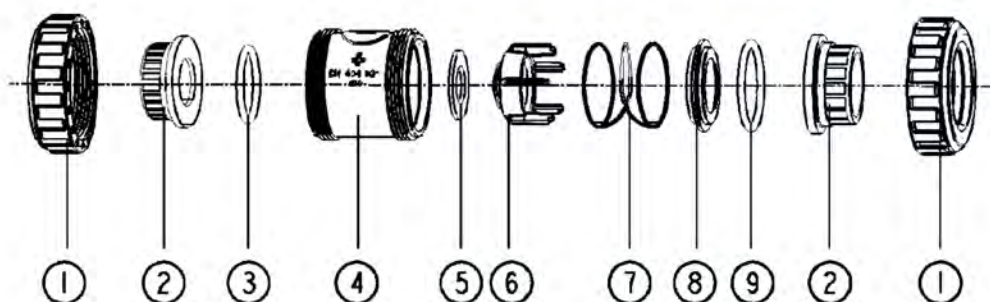
Ersatzteilset DN40 / Spare Parts Set DN40			
Artikelbezeichnung Part Description	Art.-Nr. ref.-no.	bestehend aus consisting of	Preis / Price EUR
Dichtungsset EPDM Sealing set EPDM	140028	3, 5, 9	10,64
Dichtungsset FPM Sealing set FPM	140987	3, 5, 9	55,98

Ersatzteilset DN50 / Spare Parts Set DN50			
Artikelbezeichnung Part Description	Art.-Nr. ref.-no.	bestehend aus consisting of	Preis / Price EUR
Dichtungsset EPDM Sealing set EPDM	140054	3, 5, 9	11,20
Dichtungsset FPM Sealing set FPM	140988	3, 5, 9	66,95

Ersatzteilset DN65 / Spare Parts Set DN65			
Artikelbezeichnung Part Description	Art.-Nr. ref.-no.	bestehend aus consisting of	Preis / Price EUR
Dichtungsset EPDM Sealing set EPDM	140057	3, 5, 9	19,32
Dichtungsset FPM Sealing set FPM	140989	3, 5, 9	193,52

Ersatzteilset DN80 / Spare Parts Set DN80			
Artikelbezeichnung Part Description	Art.-Nr. ref.-no.	bestehend aus consisting of	Preis / Price EUR
Dichtungsset EPDM Sealing set EPDM	140095	3, 5, 9	20,17
Dichtungsset FPM Sealing set FPM	140990	3, 5, 9	201,96

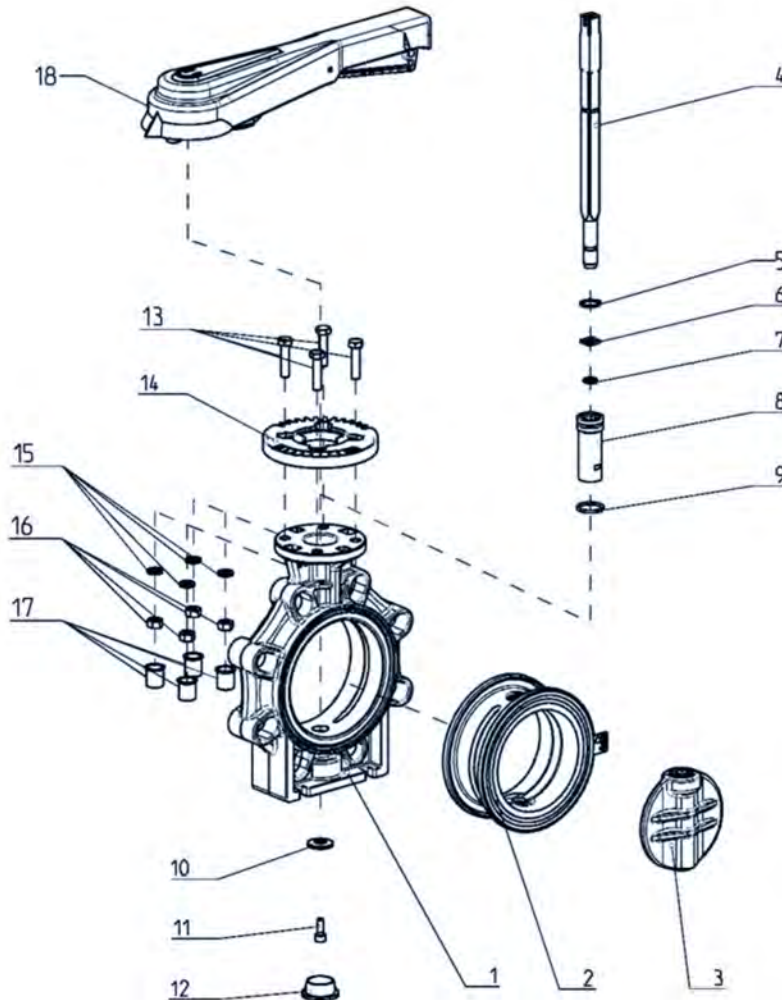
Ersatzteilset DN80/d110 / Spare Parts Set DN80/d110			
Artikelbezeichnung Part Description	Art.-Nr. ref.-no.	bestehend aus consisting of	Preis / Price EUR
Dichtungsset EPDM Sealing set EPDM	141844	3, 5, 9	20,17
Dichtungsset FPM Sealing set FPM	141843	3, 5, 9	202,62



Ersatzteilset DN40 / Spare Parts Set DN40			
Artikelbezeichnung Part Description	Art.-Nr. ref.-no.	bestehend aus consisting of	Preis / Price EUR
Dichtungsset EPDM Sealing set EPDM	141896	3, 5, 9	10,64
Dichtungsset FPM Sealing set FPM	141898	3, 5, 9	55,98

Ersatzteilset DN50 / Spare Parts Set DN50			
Artikelbezeichnung Part Description	Art.-Nr. ref.-no.	bestehend aus consisting of	Preis / Price EUR
Dichtungsset EPDM Sealing set EPDM	141897	3, 5, 9	11,20
Dichtungsset FPM Sealing set FPM	141899	3, 5, 9	66,95

DN65 bis DN100



Ersatzteile / Spare Parts List			
Artikelbezeichnung Part description	Art.-Nr. ref.-no.	bestehend aus consisting of	Preis / Price EUR
Handhebel für Absperrklappe K4 DN65+DN80 PP-GFK rot komplett / Handle for Butterfly Valve K4 DN65+DN80 PP-rf red complete	141811A	18	68,66
Handhebel für Absperrklappe K4 DN100/DN125 PP-GFK rot komplett Handle for Butterfly Valve K4 DN100/DN125 PP-rf red complete	141812A	18	82,76

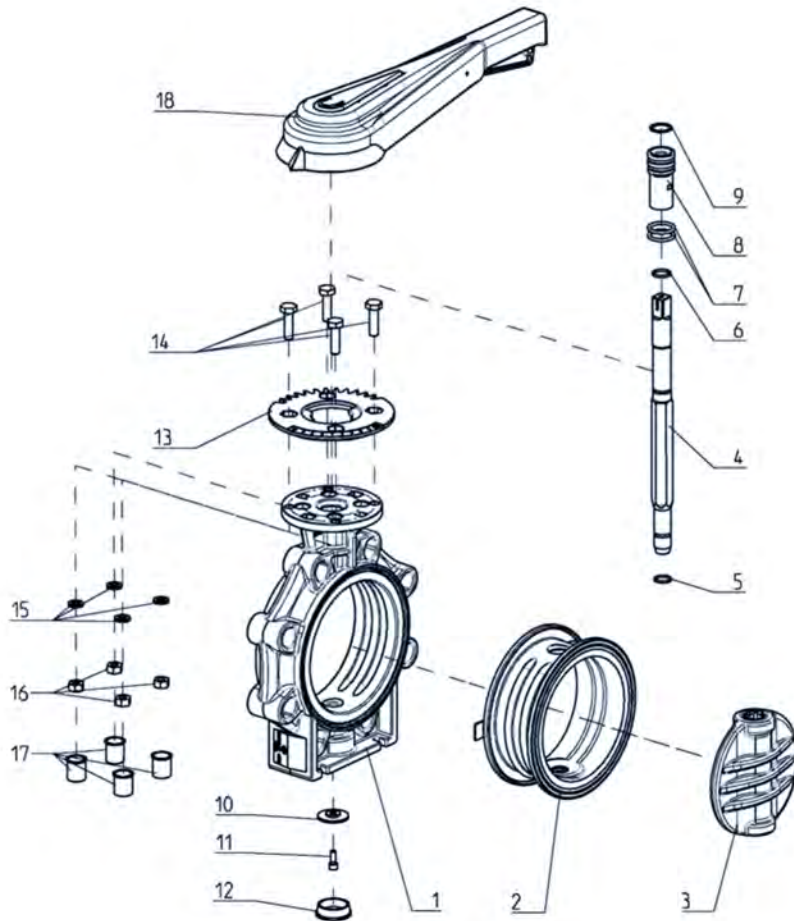
Fortsetzung auf der nächsten Seite.
Continuation on the following side.

Ersatzteilset DN65 / Spare Parts Set DN65			
Artikelbezeichnung Part description	Art.-Nr. ref.-no.	bestehend aus consisting of	Preis / Price EUR
Dichtsatz für Absperrklappe K4 DN65 PVC EPDM mit Klappe, Manschette, O-Ringen / <i>Sealing set for Butterfly valve DN65 PVC EPDM with disk, sealing member, o-rings</i>	141786	2,3,6,7,9	131,95
Dichtsatz für Absperrklappe K4 DN65 PVC FPM mit Klappe, Manschette, O-Ringen / <i>Sealing set for butterfly valve K4 DN65 PVC FPM with disk, sealing member, o-rings</i>	141791	2,3,6,7,9	286,46
Handgetriebeset DN65/DN80 / <i>Gear actuator Set DN65/DN80</i>	129148A	keine Abbildung <i>no image</i>	326,18

Ersatzteilset DN80/ Spare Parts Set DN80			
Artikelbezeichnung Part description	Art.-Nr. ref.-no.	bestehend aus consisting of	Preis / Price EUR
Dichtsatz für Absperrklappe K4 DN80 PVC EPDM mit Klappe, Manschette, O-Ringen / <i>Sealing set for Butterfly valve DN80 PVC EPDM with disk, sealing member, o-rings</i>	141787	2,3,6,7,9	133,67
Dichtsatz für Absperrklappe K4 DN80 PVC FPM mit Klappe, Manschette, O-Ringen / <i>Sealing set for butterfly valve K4 DN80 PVC FPM with disk, sealing member, o-rings</i>	141792	2,3,6,7,9	309,80
Handgetriebeset DN65/DN80 / <i>Gear actuator Set DN65/DN80</i>	129148A	keine Abbildung <i>no image</i>	326,18

Ersatzteilset DN100/ Spare Parts Set DN100			
Artikelbezeichnung Part description	Art.-Nr. ref.-no.	bestehend aus consisting of	Preis / Price EUR
Dichtsatz für Absperrklappe K4 DN100 PVC EPDM mit Klappe, Manschette, O-Ringen / <i>Sealing set for Butterfly valve DN100 PVC EPDM with disk, sealing member, o-rings</i>	141788	2,3,6,7,9	147,38
Dichtsatz für Absperrklappe K4 DN100 PVC FPM mit Klappe, Manschette, O-Ringen / <i>Sealing set for butterfly valve K4 DN100 PVC FPM with disk, sealing member, o-rings</i>	141793	2,3,6,7,9	437,44
Handgetriebeset DN100/DN125 / <i>Gear actuator Set DN100/DN125</i>	129147A	keine Abbildung <i>no image</i>	326,18

DN125 bis DN200



Ersatzteile / Spare Parts List			
Artikelbezeichnung Part description	Art.-Nr. ref.-no.	bestehend aus consisting of	Preis / Price EUR
Handhebel für Absperrklappe K4 DN100/DN125 PP-GFK rot komplett <i>Handle for Butterfly Valve K4 DN100/DN125 PP-rf red complete</i>	141812A	18	82,76
Handhebel für Absperrklappe K4 DN150/DN200 PP-GFK rot komplett <i>Handle for Butterfly Valve K4 DN150/DN200 PP-rf red complete</i>	141813A	18	106,25

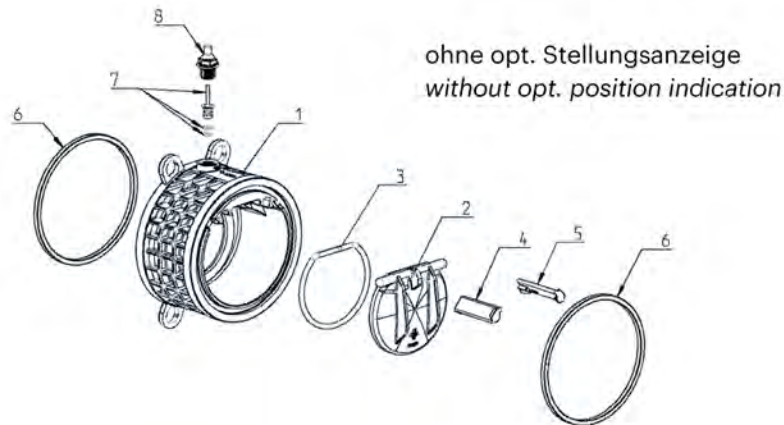
Fortsetzung auf der nächsten Seite.
Continuation on the following side.

Ersatzteilset DN125 / Spare Parts Set DN125			
Artikelbezeichnung Part description	Art.-Nr. ref.-no.	bestehend aus consisting of	Preis / Price EUR
Dichtsatz für Absperrklappe K4 DN125 PVC EPDM mit Klappe, Manschette, O-Ringen / <i>Sealing set for Butterfly valve DN125 PVC EPDM with disk, sealing member, o-rings</i>	142175	2,3,5,6,7	185,36
Dichtsatz für Absperrklappe K4 DN125 PVC FPM mit Klappe, Manschette, O-Ringen / <i>Sealing set for butterfly valve K4 DN125 PVC FPM with disk, sealing member, o-rings</i>	142176	2,3,5,6,7	651,05
Handgetriebeset DN100/DN125 / <i>Gear actuator Set DN100/DN125</i>	129147A	Keine Abbildung <i>no image</i>	326,18

Ersatzteilset DN150/ Spare Parts Set DN150			
Artikelbezeichnung Part description	Art.-Nr. ref.-no.	bestehend aus consisting of	Preis / Price EUR
Dichtsatz für Absperrklappe K4 DN150 PVC EPDM mit Klappe, Manschette, O-Ringen / <i>Sealing set for Butterfly valve DN150 PVC EPDM with disk, sealing member, o-rings</i>	141789	2,3,5,6,7	228,49
Dichtsatz für Absperrklappe K4 DN150 PVC FPM mit Klappe, Manschette, O-Ringen / <i>Sealing set for butterfly valve K4 DN150 PVC FPM with disk, sealing member, o-rings</i>	141794	2,3,5,6,7	769,16
Handgetriebeset DN150/DN200 / <i>Gear actuator Set DN150/DN200</i>	129146A	Keine Abbildung <i>no image</i>	353,49

Ersatzteilset DN200/ Spare Parts Set DN200			
Artikelbezeichnung Part description	Art.-Nr. ref.-no.	bestehend aus consisting of	Preis / Price EUR
Dichtsatz für Absperrklappe K4 DN200 PVC EPDM mit Klappe, Manschette, O-Ringen / <i>Sealing set for Butterfly valve DN200 PVC EPDM with disk, sealing member, o-rings</i>	141790	2,3,5,6,7	333,56
Dichtsatz für Absperrklappe K4 DN200 PVC FPM mit Klappe, Manschette, O-Ringen / <i>Sealing set for butterfly valve K4 DN200 PVC FPM with disk, sealing member, o-rings</i>	141795	2,3,5,6,7	1.135,71
Handgetriebeset DN150/DN200 / <i>Gear actuator Set DN150/DN200</i>	129146A	Keine Abbildung <i>no image</i>	353,49

PVC wafer check valve K4 without position indication



Ersatzteilliste DN65 / Spare Parts List DN65			
Artikelbezeichnung Part Description	Art. Nr. Ref.No.	bestehend aus consistent of	Preis / Price EUR
Dichtsatz EPDM / Sealing set EPDM	141757	3,2x 6 + 2x O-Ringe für Anzeigestift (+ 2x o-ring for indication pin)	49,02
Dichtsatz FPM / Sealing set FPM	141758	3,2x 6 + 2x O-Ringe für Anzeigestift (+ 2x o-ring for indication pin)	72,59
Ersatzteilset EPDM / Spare parts set EPDM	141752	7,8	93,46
Ersatzteilset FPM / Spare parts set FPM	141749	7,8	102,91
Flanschset / Flange set	142190	mit Losflansch und Bundbuchse incl. flange connection and adapter	178,55

Ersatzteilliste DN80 / Spare Parts List DN80			
Artikelbezeichnung Part Description	Art. Nr. Ref.No.	bestehend aus consistent of	Preis / Price EUR
Dichtsatz EPDM / Sealing set EPDM	142010A	3,2x 6 + 2x O-Ringe für Anzeigestift (+ 2x o-ring for indication pin)	53,89
Dichtsatz FPM / Sealing set FPM	142011A	3,2x 6 + 2x O-Ringe für Anzeigestift (+ 2x o-ring for indication pin)	79,85
Ersatzteilset EPDM / Spare parts set EPDM	141752	7,8	93,46
Ersatzteilset FPM / Spare parts set FPM	141749	7,8	102,91
Flanschset / Flange set	142191	mit Losflansch und Bundbuchse incl. flange connection and adapter	189,08

Fortsetzung auf der nächsten Seite.
Continuation on the following side.

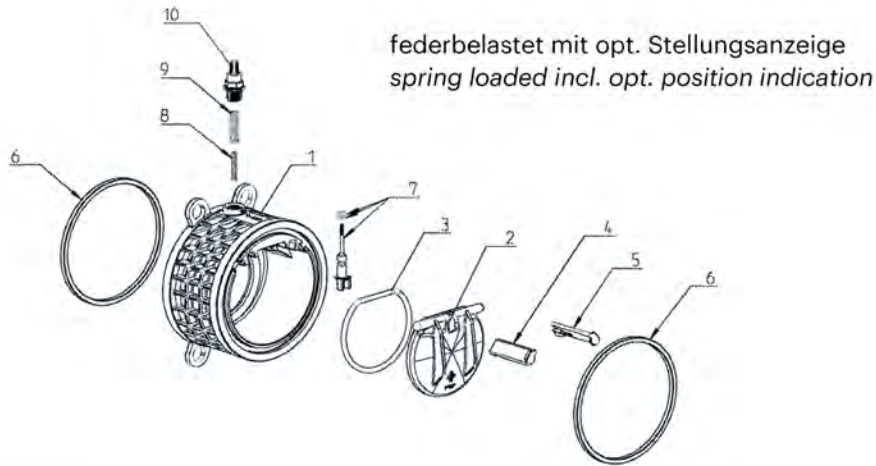
Ersatzteilliste DN100 / Spare Parts List DN100			
Artikelbezeichnung Part Description	Art. Nr. Ref.No.	bestehend aus consistent of	Preis / Price EUR
Dichtsatz EPDM / Sealing set EPDM	142030	3,2x 6 + 2x O-Ringe für Anzeigestift (+ 2x o-ring for indication pin)	102,91
Dichtsatz FPM / Sealing set FPM	142031	3,2x 6 + 2x O-Ringe für Anzeigestift (+ 2x o-ring for indication pin)	114,97
Ersatzteilset EPDM / Spare parts set EPDM	141752	7,8	93,46
Ersatzteilset FPM / Spare parts set FPM	141749	7,8	102,91
Flanschset / Flange set	142192	mit Losflansch und Bundbuchse incl. flange connection and adapter	236,36

Ersatzteilliste DN150 / Spare Parts List DN150			
Artikelbezeichnung Part Description	Art. Nr. Ref.No.	bestehend aus consistent of	Preis / Price EUR
Dichtsatz EPDM / Sealing set EPDM	142032	3,2x 6 + 2x O-Ringe für Anzeigestift (+ 2x o-ring for indication pin)	140,95
Dichtsatz FPM / Sealing set FPM	142033	3,2x 6 + 2x O-Ringe für Anzeigestift (+ 2x o-ring for indication pin)	211,34
Ersatzteilset EPDM / Spare parts set EPDM	141753	7,8	130,53
Ersatzteilset FPM / Spare parts set FPM	141750	7,8	143,92
Flanschset / Flange set	142193	mit Losflansch und Bundbuchse incl. flange connection and adapter	449,08

Ersatzteilliste DN200 / Spare Parts List DN200			
Artikelbezeichnung Part Description	Art. Nr. Ref.No.	bestehend aus consistent of	Preis / Price EUR
Dichtsatz EPDM / Sealing set EPDM	142016	3,2x 6 + 2x O-Ringe für Anzeigestift (+ 2x o-ring for indication pin)	235,40
Dichtsatz FPM / Sealing set FPM	142017	3,2x 6 + 2x O-Ringe für Anzeigestift (+ 2x o-ring for indication pin)	328,06
Ersatzteilset EPDM / Spare parts set EPDM	141753	7,8	130,53
Ersatzteilset FPM / Spare parts set FPM	141750	7,8	143,92
Flanschset / Flange set	142194	mit Losflansch und Bundbuchse incl. flange connection and adapter	581,44

Ersatzteilset DN250/ Spare Parts List DN250			
Artikelbezeichnung Part Description	Art. Nr. Ref.No.	bestehend aus consistent of	Preis / Price EUR
Dichtsatz EPDM / Sealing set EPDM	141762	3,2x 6 + 2x O-Ringe für Anzeigestift (+ 2x o-ring for indication pin)	329,95
Dichtsatz FPM / Sealing set FPM	141763	3,2x 6 + 2x O-Ringe für Anzeigestift (+ 2x o-ring for indication pin)	444,78
Ersatzteilset EPDM / Spare parts set EPDM	141754	7,8	182,48
Ersatzteilset FPM / Spare parts set FPM	141751	7,8	199,34
Flanschset / Flange set	142226	mit Losflansch und Bundbuchse incl. flange connection and adapter	1.638,72

PVC wafer check valve K4 with position indication



Ersatzteilliste DN65 / Spare Parts List DN65			
Artikelbezeichnung Part Description	Art. Nr. ref.-no.	bestehend aus consistent of	Preis / Price EUR
Dichtsatz EPDM / Sealing set EPDM	141757	3, 2x 6 (+ 2x O-Ringe für Anzeigestift) (+2x o-rings for indication pin)	49,02
Dichtsatz FPM / Sealing set FPM	141758	3, 2x 6 (+ 2x O-Ringe für Anzeigestift) (+2x o-rings for indication pin)	72,59
Ersatzteilset EPDM / Spare parts set EPDM	141746	8,9,10	93,46
Ersatzteilset FPM / Spare parts set FPM	141743	8,9,10	102,91
Flanschset / Flange set	142190	mit Losflansch und Bundbuchse incl. flange connection and adapter	178,55

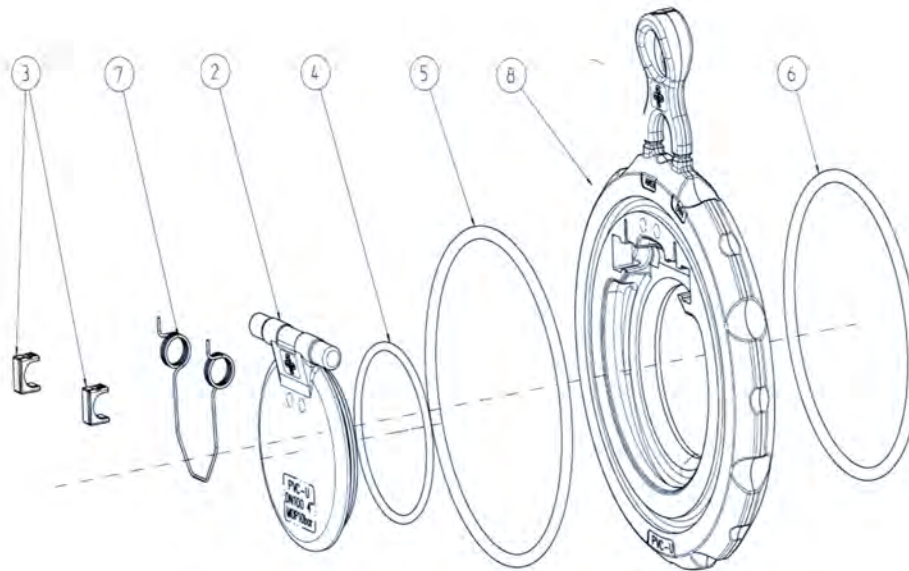
Ersatzteilliste DN80 / Spare Parts List DN80			
Artikelbezeichnung Part Description	Art. Nr. ref.-no.	bestehend aus consistent of	Preis / Price EUR
Dichtsatz EPDM / Sealing set EPDM	142010A	3, 2x 6 (+ 2x O-Ringe für Anzeigestift) (+2x o-rings for indication pin)	53,89
Dichtsatz FPM / Sealing set FPM	142011A	3, 2x 6 (+ 2x O-Ringe für Anzeigestift) (+2x o-rings for indication pin)	79,85
Ersatzteilset EPDM / Spare parts set EPDM	142423	8,9,10	93,46
Ersatzteilset FPM / Spare parts set FPM	142422	8,9,10	102,91
Flanschset / Flange set	142191	mit Losflansch und Bundbuchse incl. flange connection and adapter	189,08

Ersatzteilliste DN100 / Spare Parts List DN100			
Artikelbezeichnung Part Description	Art. Nr. ref.-no.	bestehend aus consistent of	Preis / Price EUR
Dichtsatz EPDM / Sealing set EPDM	142030	3, 2x 6 (+ 2x O-Ringe für Anzeigestift) (+2x o-rings for indication pin)	102,91
Dichtsatz FPM / Sealing set FPM	142031	3, 2x 6 (+ 2x O-Ringe für Anzeigestift) (+2x o-rings for indication pin)	114,97
Ersatzteilset EPDM / Spare parts set EPDM	142423	8,9,10	93,46
Ersatzteilset FPM / Spare parts set FPM	142422	8,9,10	102,91
Flanschset / Flange set	142192	mit Losflansch und Bundbuchse incl. flange connection and adapter	236,36

Ersatzteilliste DN150 / Spare Parts List DN150			
Artikelbezeichnung Part Description	Art. Nr. ref.-no.	bestehend aus consistent of	Preis / Price EUR
Dichtsatz EPDM / Sealing set EPDM	142032	3, 2x 6 (+ 2x O-Ringe für Anzeigestift) (+2x o-rings for indication pin)	140,95
Dichtsatz FPM / Sealing set FPM	142033	3, 2x 6 (+ 2x O-Ringe für Anzeigestift) (+2x o-rings for indication pin)	211,34
Ersatzteilset EPDM / Spare parts set EPDM	141747	8,9,10	130,53
Ersatzteilset FPM / Spare parts set FPM	141744	8,9,10	143,92
Flanschset / Flange set	142193	mit Losflansch und Bundbuchse incl. flange connection and adapter	449,08

Ersatzteilliste DN200 / Spare Parts List DN200			
Artikelbezeichnung Part Description	Art. Nr. ref.-no.	bestehend aus consistent of	Preis / Price EUR
Dichtsatz EPDM / Sealing set EPDM	142016	3, 2x 6 (+ 2x O-Ringe für Anzeigestift) (+2x o-rings for indication pin)	235,40
Dichtsatz FPM / Sealing set FPM	142017	3, 2x 6 (+ 2x O-Ringe für Anzeigestift) (+2x o-rings for indication pin)	328,06
Ersatzteilset EPDM / Spare parts set EPDM	141747	8,9,10	130,53
Ersatzteilset FPM / Spare parts set FPM	141744	8,9,10	143,92
Flanschset / Flange set	142194	mit Losflansch und Bundbuchse incl. flange connection and adapter	581,44

Ersatzteilliste DN250 / Spare Parts List DN250			
Artikelbezeichnung Part Description	Art. Nr. ref.-no.	bestehend aus consistent of	Preis / Price EUR
Dichtsatz EPDM / Sealing set EPDM	141762	3, 2x 6 (+ 2x O-Ringe für Anzeigestift) (+2x o-rings for indication pin)	329,95
Dichtsatz FPM / Sealing set FPM	141763	3, 2x 6 (+ 2x O-Ringe für Anzeigestift) (+2x o-rings for indication pin)	444,78
Ersatzteilset EPDM / Spare parts set EPDM	141748	8,9,10	182,48
Ersatzteilset FPM / Spare parts set FPM	141745	8,9,10	199,34
Flanschset / Flange set	142226	mit Losflansch und Bundbuchse incl. flange connection and adapter	1.638,72



Ersatzteilliste DN40 / Spare Parts List DN40			
Artikelbezeichnung Part description	Art.-Nr. ref.-no.	bestehend aus consisting of	Preis / Price EUR
Klappenset für Rückschlagklappe K6 / flap kit for wafer check type K6	142306A	2, 3	83,30
Dichtset für Rückschlagklappe K6 EPDM / seal kit for wafer check type K6 EPDM	142282	4, 5, 6	17,72
Dichtset für Rückschlagklappe K6 FPM / seal kit for wafer check type K6 FPM	142290	4, 5, 6	48,70
Federnset für Rückschlagklappe K6 / spring kit for wafer check type K6	142298	7, 8	113,15
Federnset Hastelloy für RSK K6 / spring kit hastelloy for wafer check type K6	142341	7, 8	Auf Anfrage on request

Ersatzteile DN50 / Spare Parts List DN50			
Artikelbezeichnung Part description	Art.-Nr. ref.-no.	bestehend aus consisting of	Preis / Price EUR
Klappenset für Rückschlagklappe K6 / flap kit for wafer check type K6	142307A	2, 3	84,31
Dichtset für Rückschlagklappe K6 EPDM / seal kit for wafer check type K6 EPDM	142283	4, 5, 6	18,32
Dichtset für Rückschlagklappe K6 FPM / seal kit for wafer check type K6 FPM	142291	4, 5, 6	59,40
Federnset für Rückschlagklappe K6 / spring kit for wafer check type K6	142299	7, 8	71,38
Federnset Hastelloy für RSK K6 / spring kit hastelloy for wafer check type K6	142342	7, 8	Auf Anfrage on request

Fortsetzung auf der nächsten Seite.
Continuation on the following side.

Ersatzteile DN65 / Spare Parts List DN65			
Artikelbezeichnung Part description	Art.-Nr. ref.-no.	bestehend aus consisting of	Preis / Price EUR
Klappenset für Rückschlagklappe K6 / <i>flap kit for wafer check type K6</i>	142308A	2, 3	86,82
Dichtset für Rückschlagklappe K6 EPDM / <i>seal kit for wafer check type K6 EPDM</i>	142284	4, 5, 6	19,91
Dichtset für Rückschlagklappe K6 FPM / <i>seal kit for wafer check type K6 FPM</i>	142292	4, 5, 6	73,52
Federnset für Rückschlagklappe K6 / <i>spring kit for wafer check type K6</i>	142300	7, 8	116,85
Federnset Hastelloy für RSK K6 / <i>spring kit hastelloy for wafer check type K6</i>	142343	7, 8	Auf Anfrage <i>on request</i>

Ersatzteile DN80 / Spare Parts List DN80			
Artikelbezeichnung Part description	Art.-Nr. ref.-no.	bestehend aus consisting of	Preis / Price EUR
Klappenset für Rückschlagklappe K6 / <i>flap kit for wafer check type K6</i>	142309A	2, 3	91,75
Dichtset für Rückschlagklappe K6 EPDM / <i>seal kit for wafer check type K6 EPDM</i>	142285	4, 5, 6	23,16
Dichtset für Rückschlagklappe K6 FPM / <i>seal kit for wafer check type K6 FPM</i>	142293	4, 5, 6	90,71
Federnset für Rückschlagklappe K6 / <i>spring kit for wafer check type K6</i>	142301	7, 8	121,95
Federnset Hastelloy für RSK K6 / <i>spring kit hastelloy for wafer check type K6</i>	142344	7, 8	Auf Anfrage <i>on request</i>

Ersatzteile DN100/ Spare Parts List DN100			
Artikelbezeichnung Part description	Art.-Nr. ref.-no.	bestehend aus consisting of	Preis / Price EUR
Klappenset für Rückschlagklappe K6 / <i>flap kit for wafer check type K6</i>	142310A	2, 3	101,74
Dichtset für Rückschlagklappe K6 EPDM / <i>seal kit for wafer check type K6 EPDM</i>	142286	4, 5, 6	29,60
Dichtset für Rückschlagklappe K6 FPM / <i>seal kit for wafer check type K6 FPM</i>	142294	4, 5, 6	111,09
Federnset für Rückschlagklappe K6 / <i>spring kit for wafer check type K6</i>	142302	7, 8	33,05
Federnset Hastelloy für RSK K6 / <i>spring kit hastelloy for wafer check type K6</i>	142345	7, 8	Auf Anfrage <i>on request</i>

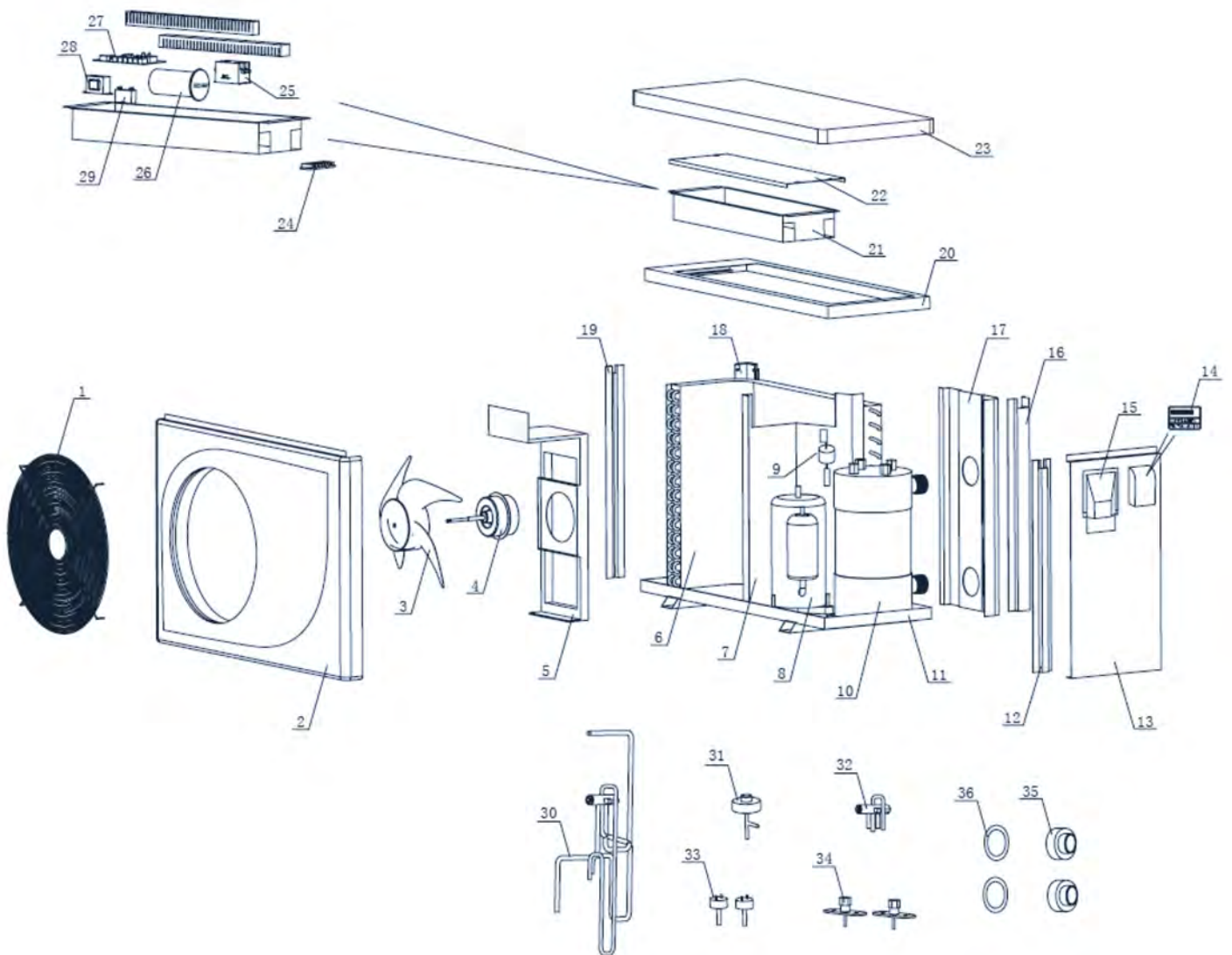
Ersatzteile DN125 / Spare Parts List DN125			
Artikelbezeichnung Part description	Art.-Nr. ref.-no.	bestehend aus consisting of	Preis / Price EUR
Klappenset für Rückschlagklappe K6 / <i>flap kit for wafer check type K6</i>	142311A	2, 3	121,55
Dichtset für Rückschlagklappe K6 EPDM / <i>seal kit for wafer check type K6 EPDM</i>	142287	4, 5, 6	42,43
Dichtset für Rückschlagklappe K6 FPM / <i>seal kit for wafer check type K6 FPM</i>	142295	4, 5, 6	134,77
Federnset für Rückschlagklappe K6 / <i>spring kit for wafer check type K6</i>	142303	7, 8	152,77
Federnset Hastelloy für RSK K6 / <i>spring kit hastelloy for wafer check type K6</i>	142346	7, 8	Auf Anfrage <i>on request</i>

Ersatzteile DN150 / Spare Parts List DN150			
Artikelbezeichnung Part description	Art.-Nr. ref.-no.	bestehend aus consisting of	Preis / Price EUR
Klappenset für Rückschlagklappe K6 / <i>flap kit for wafer check type K6</i>	142312A	2, 3	161,43
Dichtset für Rückschlagklappe K6 EPDM / <i>seal kit for wafer check type K6 EPDM</i>	142288	4, 5, 6	68,19
Dichtset für Rückschlagklappe K6 FPM / <i>seal kit for wafer check type K6 FPM</i>	142296	4, 5, 6	173,19
Federnset für Rückschlagklappe K6 / <i>spring kit for wafer check type K6</i>	142304	7, 8	200,81
Federnset Hastelloy für RSK K6 / <i>spring kit hastelloy for wafer check type K6</i>	142347	7, 8	Auf Anfrage <i>on request</i>

Ersatzteile DN200 / Spare Parts List DN200			
Artikelbezeichnung Part description	Art.-Nr. ref.-no.	bestehend aus consisting of	Preis / Price EUR
Klappenset für Rückschlagklappe K6 / <i>flap kit for wafer check type K6</i>	142313A	2, 3	221,00
Dichtset für Rückschlagklappe K6 EPDM / <i>seal kit for wafer check type K6 EPDM</i>	142289	4, 5, 6	106,72
Dichtset für Rückschlagklappe K6 FPM / <i>seal kit for wafer check type K6 FPM</i>	142297	4, 5, 6	224,60
Federnset für Rückschlagklappe K6 / <i>spring kit for wafer check type K6</i>	142305	7, 8	255,55
Federnset Hastelloy für RSK K6 / <i>spring kit hastelloy for wafer check type K6</i>	142348	7, 8	Auf Anfrage <i>on request</i>

Heat pump On/Off

Peraqua® führt ein umfangreiches Ersatzteilprogramm seiner Technikkomponenten. Bitte führen Sie bei Ihrer Bestellung von Ersatzteilen die Artikelreferenz und die Seriennummer an.
Peraqua® keeps an extensive range of spare parts for our technical products. Please mention the product reference of the order and the serial number.

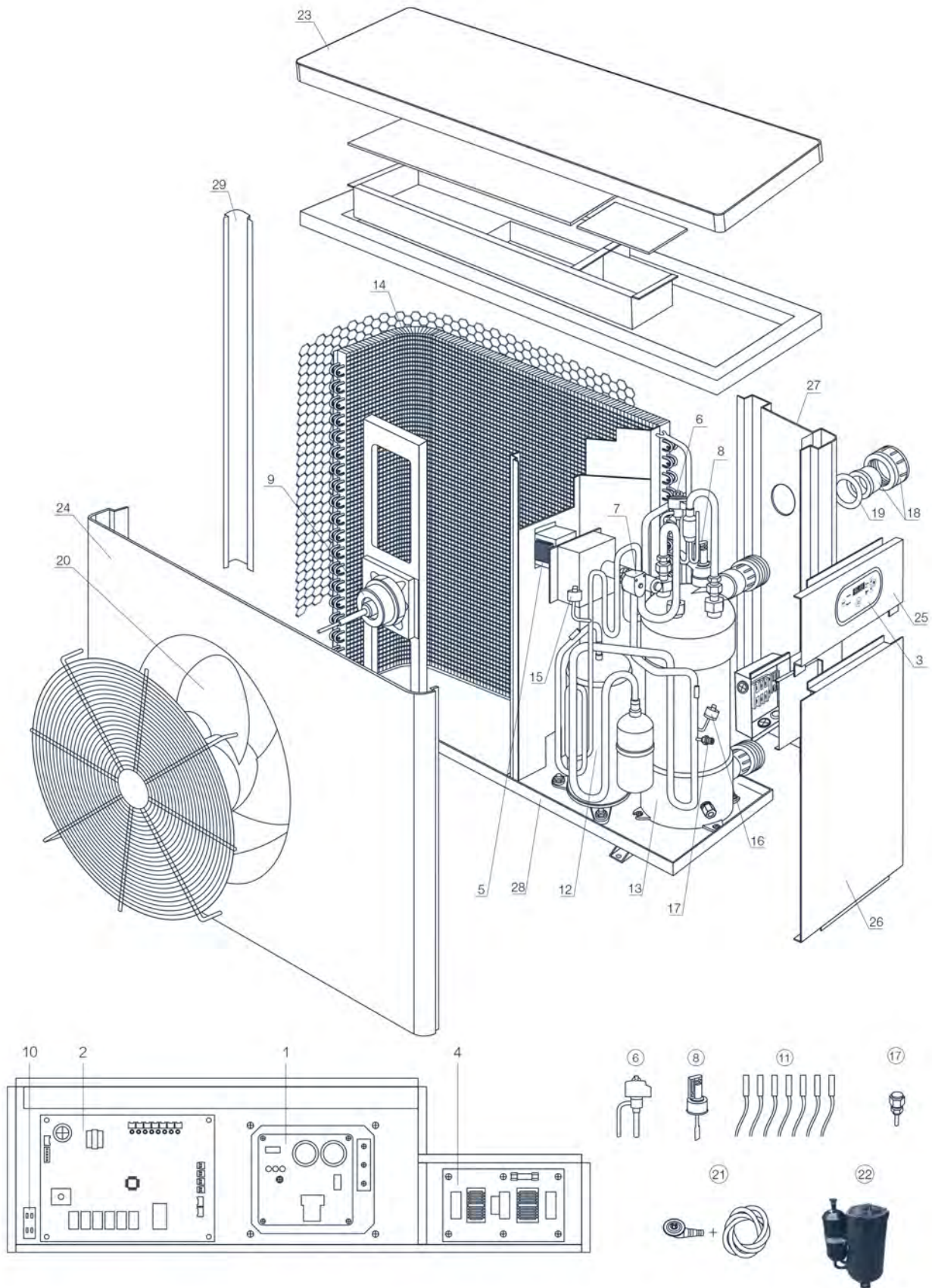


Ersatzteilliste / Spare Parts List

Pos.	Artikelbezeichnung Part Description	
3	Gebläse / <i>Fan</i>	Auf Anfrage / on request
4	Motor Elektrogebläse Fan Electric Motor	Auf Anfrage / on request
6	Verdampfer / <i>Evaporator</i>	Auf Anfrage / on request
8	Kompressor / <i>Compressor</i>	Auf Anfrage / on request
8.1	Winterabdeckung <i>Insulated compressor cover</i>	Auf Anfrage / on request
9	Wasserdurchflusswächter <i>Water flow Switch</i>	Auf Anfrage / on request
10	Titanwärmetauscher <i>Titanium Heat Exchanger</i>	Auf Anfrage / on request
14	Steuerung / <i>Controller</i>	Auf Anfrage / on request
	Verlängerungsset <i>controller extension set</i>	Auf Anfrage / on request
25	Klemmen / <i>Connector block</i>	Auf Anfrage / on request
26	Verdichterkondensator <i>Compressor Capacitor</i>	Auf Anfrage / on request
27	Starkstromplatine / <i>3-phase Board</i>	Auf Anfrage / on request
27	Platine FL003P / <i>PC Board</i>	Auf Anfrage / on request
28	Transformator / <i>Transformer</i>	Auf Anfrage / on request
29	Gebläsekondens. / <i>Fan Motor Capacitor</i>	Auf Anfrage / on request
31	Expansionsventil / <i>Exp. Valve</i>	Auf Anfrage / on request
32	4-Wege Ventil / <i>4-way Valve</i>	Auf Anfrage / on request
4.1	Display Abdeckung <i>Full set of LED cover box</i>	Auf Anfrage / on request
not in drawing	Set aller 5 Temperatursensoren <i>Set of all 5 temperature sensors</i>	Auf Anfrage / on request
35, 36	2x Wasseranschluss + Drainageleitung <i>2x waterunion and drainagepipe</i>	Auf Anfrage / on request

Smart Inverter heat pump ECO H+C

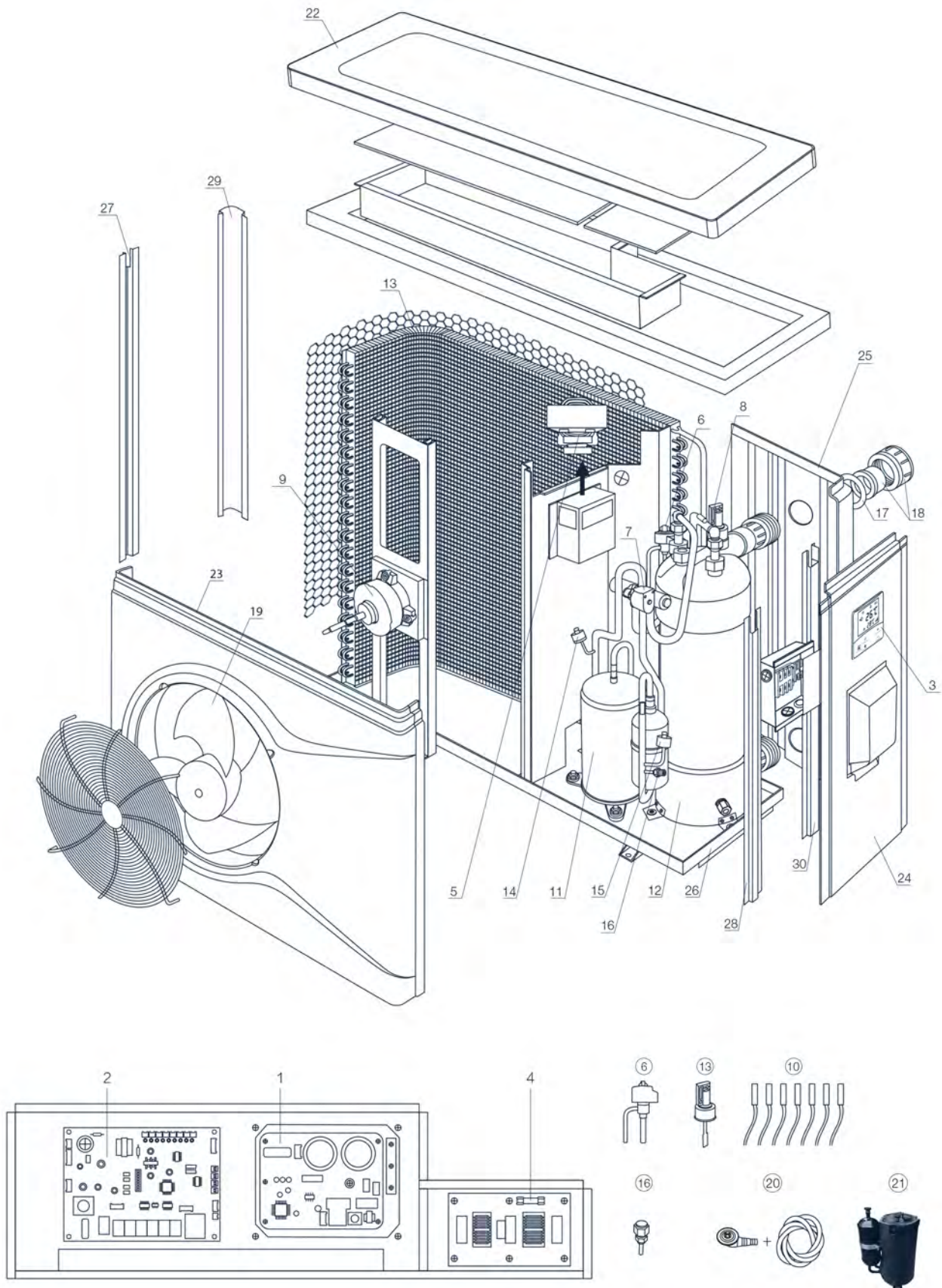
Peraqua® führt ein umfangreiches Ersatzteilprogramm seiner Technikkomponenten. Bitte führen Sie bei Ihrer Bestellung von Ersatzteilen die Artikelreferenz und die Seriennummer an.
Peraqua® keeps an extensive range of spare parts for our technical products. Please mention the product reference of the order and the serial number.



 <p>①</p>	 <p>②</p>	 <p>③</p>	 <p>④</p>
Inverter board	PC Board	LED controller	Power filter plate
 <p>⑤</p>	 <p>⑥</p>	 <p>⑦</p>	 <p>⑧</p>
Reactor	Electronic expansion valve	4-way valve	Water flow switch
 <p>⑨</p>	 <p>⑩</p>	 <p>⑪</p>	 <p>⑫</p>
Fan motor	Fan motor capacitor	Full set of sensors	Compressor
 <p>⑬</p>	 <p>⑭</p>	 <p>⑮</p>	 <p>⑯</p>
Titanium heat exchanger(Heat&Cool)	Evaporator	High pressure protection switch	low pressure protection switch
 <p>⑰</p>	 <p>⑱</p>	 <p>⑲</p>	 <p>⑳</p>
Low pressure valve	Water union	Water union gasket	Fan
 <p>㉑</p>			
Drainage kit			

Smart Full Inverter Plus heat pump H+C

Peraqua® führt ein umfangreiches Ersatzteilprogramm seiner Technikkomponenten. Bitte führen Sie bei Ihrer Bestellung von Ersatzteilen die Artikelreferenz und die Seriennummer an.
 Peraqua® keeps an extensive range of spare parts for our technical products. Please mention the product reference of the order and the serial number.



 <p>①</p>	 <p>②</p>	 <p>③</p>	 <p>④</p>
Inverter board	PC Board (Heat&Cool)	Touch controller	Power filter plate
 <p>⑤</p>	 <p>⑥</p>	 <p>⑦</p>	 <p>⑧</p>
Reactor(big)	Electronic expansion valve	4-way valve	Water flow switch
 <p>⑨</p>	 <p>⑩</p>	 <p>⑪</p>	 <p>⑫</p>
Fan motor	Full set of sensors	Compressor	Titanium heat exchanger(Heat&Cool)
 <p>⑬</p>	 <p>⑭</p>	 <p>⑮</p>	 <p>⑯</p>
Evaporator	High pressure protection switch	High & low pressure protection switch	Low pressure valve
 <p>⑰</p>	 <p>⑱</p>	 <p>⑲</p>	 <p>⑳</p>
Water union	Water union gasket	Fan	Drainage kit



Ersatzteilliste / Spare Parts List		
Pos.	Artikelbezeichnung Part Description	Preis / Price EUR
1	Ersatzzelle für Smart Elektrolyseanlage ECO 10g <i>Spare cell for Smart electrolysis ECO 10g</i>	auf Anfrage <i>on request</i>
2	Ersatzzelle für Smart Elektrolyseanlage ECO 15g <i>Spare cell for Smart electrolysis ECO 15g</i>	auf Anfrage <i>on request</i>
3	Ersatzzelle für Smart Elektrolyseanlage ECO 20g <i>Spare cell for Smart electrolysis ECO 20g</i>	auf Anfrage <i>on request</i>
4	Ersatzzelle für Smart Elektrolyseanlage ECO 25g <i>Spare cell for Smart electrolysis ECO 25g</i>	auf Anfrage <i>on request</i>
5	Ersatzzelle für Smart Elektrolyseanlage ECO 35g <i>Spare cell for Smart electrolysis ECO 35g</i>	auf Anfrage <i>on request</i>



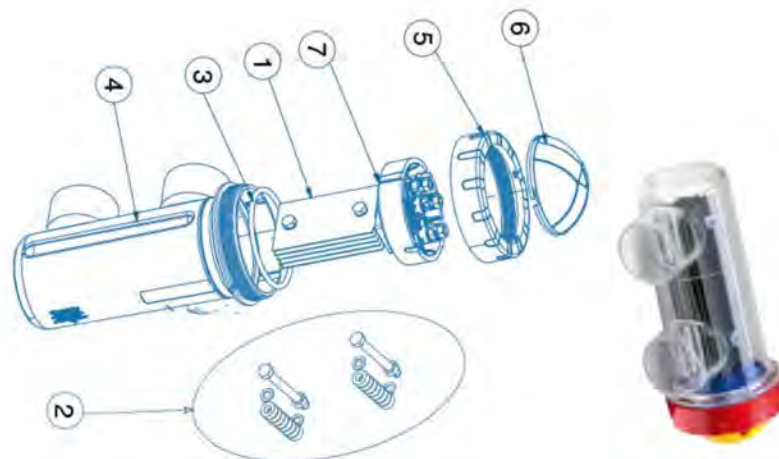
Ersatzteilliste / Spare Parts List		
Pos.	Artikelbezeichnung Part Description	Preis / Price EUR
1	Ersatzzelle für Smart Elektrolyseanlage ADVANCED-PRO 10g <i>Spare cell for Smart ADVANCED-PRO 10g</i>	auf Anfrage <i>on request</i>
2	Ersatzzelle für Smart Elektrolyseanlage ADVANCED-PRO 15g <i>Spare cell for Smart ADVANCED-PRO 15g</i>	auf Anfrage <i>on request</i>
3	Ersatzzelle für Smart Elektrolyseanlage ADVANCED-PRO 20g <i>Spare cell for Smart ADVANCED-PRO 20g</i>	auf Anfrage <i>on request</i>
4	Ersatzzelle für Smart Elektrolyseanlage ADVANCED-PRO 25g <i>Spare cell for Smart ADVANCED-PRO 25g</i>	auf Anfrage <i>on request</i>
5	Ersatzzelle für Smart Elektrolyseanlage ADVANCED-PRO 35g <i>Spare cell for Smart ADVANCED-PRO 35g</i>	auf Anfrage <i>on request</i>



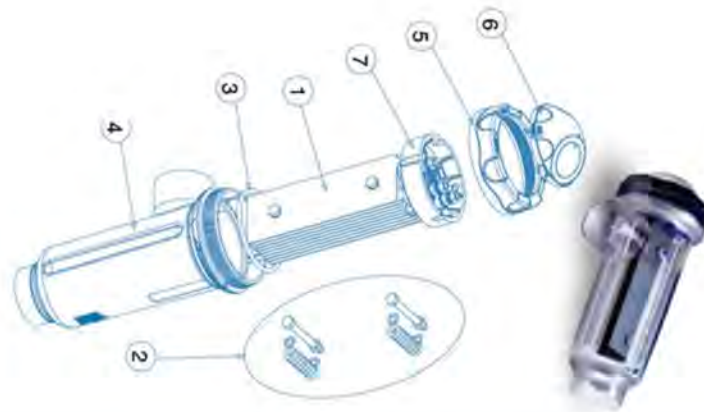
Ersatzteilliste / Spare Parts List		
Pos.	Artikelbezeichnung Part Description	Preis / Price EUR
1	Ersatzzelle für Smart Elektrolyseanlage ADVANCED-PRO LOW SALT 15g / Spare cell for Smart electrolysis ADVANCED-PRO LOW SALT 15g	auf Anfrage on request
2	Ersatzzelle für Smart Elektrolyseanlage ADVANCED-PRO LOW SALT 20g / Spare cell for Smart electrolysis ADVANCED-PRO LOW SALT 20g	auf Anfrage on request
3	Ersatzzelle für Smart Elektrolyseanlage ADVANCED-PRO LOW SALT 30g / Spare cell for Smart electrolysis ADVANCED-PRO LOW SALT 30g	auf Anfrage on request



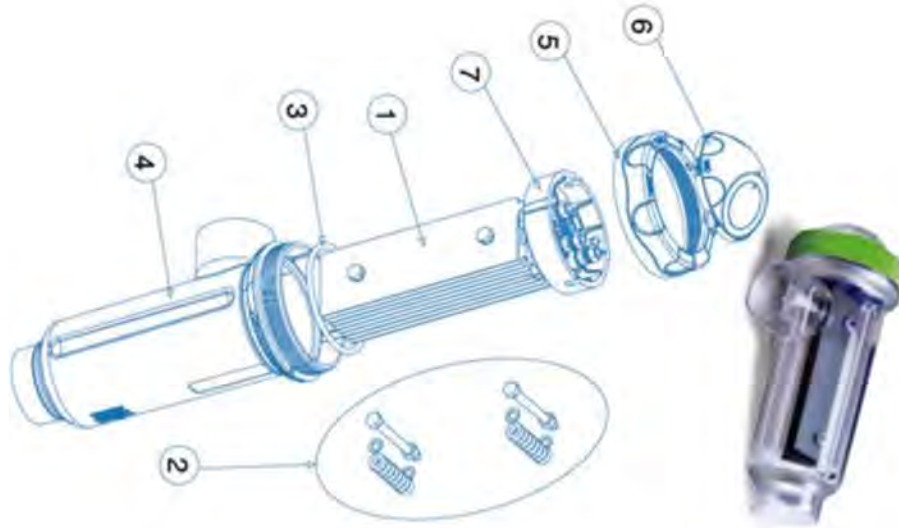
Ersatzteilliste / Spare Parts List		
Pos.	Artikelbezeichnung Part Description	Preis / Price EUR
1	Ersatzzelle für Smart Elektrolyseanlage PREMIUM-TOUCH-DOM 15g Spare cell for Smart electrolysis PREMIUM-TOUCH-DOM 15g	auf Anfrage on request
2	Ersatzzelle für Smart Elektrolyseanlage PREMIUM-TOUCH-DOM 20g Spare cell for Smart electrolysis PREMIUM-TOUCH-DOM 20g	auf Anfrage on request
3	Ersatzzelle für Smart Elektrolyseanlage PREMIUM-TOUCH-DOM 25g Spare cell for Smart electrolysis PREMIUM-TOUCH-DOM 25g	auf Anfrage on request
4	Ersatzzelle für Smart Elektrolyseanlage PREMIUM-TOUCH-DOM 35g Spare cell for Smart electrolysis PREMIUM-TOUCH-DOM 35g	auf Anfrage on request



Ersatzteilliste / Spare Parts List			
Pos.	Artikelbezeichnung Part Description	Art. Nr. Ref.No	Preis / Price EUR
1	Selbstreinigendes Elektrodenset -7g/Stunde Self-cleaning electrode set - 7g/h	74715	418,08
1	Selbstreinigendes Elektrodenset -12g/Stunde Self-cleaning electrode set - 12g/h	7300275	514,08
1	Selbstreinigendes Elektrodenset - 21g/Stunde Self-cleaning electrode set - 21g/h	74387	804,00
1	Selbstreinigendes Elektrodenset - 30g/Stunde Self-cleaning electrode set - 30g/h	7300365	1012,00
1	Selbstreinigendes Elektrodenset - 40g/Stunde Self-cleaning electrode set - 40g/h	R-462	auf Anfrage on request
2	Elektroden Befestigungsset / Electrode fixing kit	75207	9,96
3	O-Ring für alle Modelle / O-ring - all models	74796	35,56
4	TECNO (I) Gehäuse twincell - 7g/12g/Stunde TECNO (I) twincell series cell - 7g/12g / h	78933	136,53
4	TECNO (II) Gehäuse bipolar - 21g/30g/40g/Stunde TECNO (II) bipolar series cell - 21/30/40g/h	78934	136,53
5	Verschlussmutter - alle Modelle Cell closing nut - all models	78984	37,69
6	Verschlusskappe - alle Modelle Contact protector - all models	740018	11,38
7	Elektrodenhalter - 7g/12g/Stunde Electrode holder - 7/12g/h	75661	24,89
7	Elektrodenhalter - 21g/Stunde Electrode holder - 21g/h	R-015-45	auf Anfrage on request
7	Elektrodenhalter - 30g/40g/Stunde Electrode holder - 30/40g/h	7300364	24,89



Ersatzteilliste / Spare Parts List			
Pos.	Artikelbezeichnung Part Description	Art. Nr. Ref.No	Preis / Price EUR
1	Selbstreinigendes Elektrodenset - 12g/Stunde Self-cleaning electrode set - 12g/h	7300084	695,00
1	Selbstreinigendes Elektrodenset - 24g/Stunde Self-cleaning electrode set - 24g/h	71822	886,08
1	Selbstreinigendes Elektrodenset - 32g/Stunde Self-cleaning electrode set - 32g/h	7300379	1114,08
1	Selbstreinigendes Elektrodenset - 42g/Stunde Self-cleaning electrode set - 42g/h	7300415	1534,08
2	Elektroden Befestigungsset - 12g/24g/32g/Stunde Electrode anchor kit - 12g/24g/32g/h	75207	9,96
3	O-Ring - 12g/24g/32g/Stunde / O-ring - 12g/24g/32g/h	74796	35,56
3	O-Ring - 42g/Stunde / cell o-ring - 42g/h	74386	36,98
4	Gehäuse - 12g/24g/32g/Stunde Cell - 12g/24g/32g/h	78932	130,84
4	Gehäuse - 42g/Stunde / cell - 42g/h	R-010	auf Anfrage on request
5	Verschlussmutter - 12g/24g/32g/Stunde Closing nut - 12g/24g/32g/h	79370	36,98
5	Verschlussmutter - 42g/Stunde / Closing nut - 42g/h	R-015-06	auf Anfrage on request
6	Verschlusskappe - 12g/24g/32g/Stunde Contact protector - 12g/24g/32g/h	R-303	auf Anfrage on request
6	Verschlusskappe - 42g/Stunde Contact protector - 42g/h	R-015-07	auf Anfrage on request
7	Elektrodenhalter - 12g/24g/32g/Stunde Electrode holder - 12g/24g/32g/h	75661	24,89

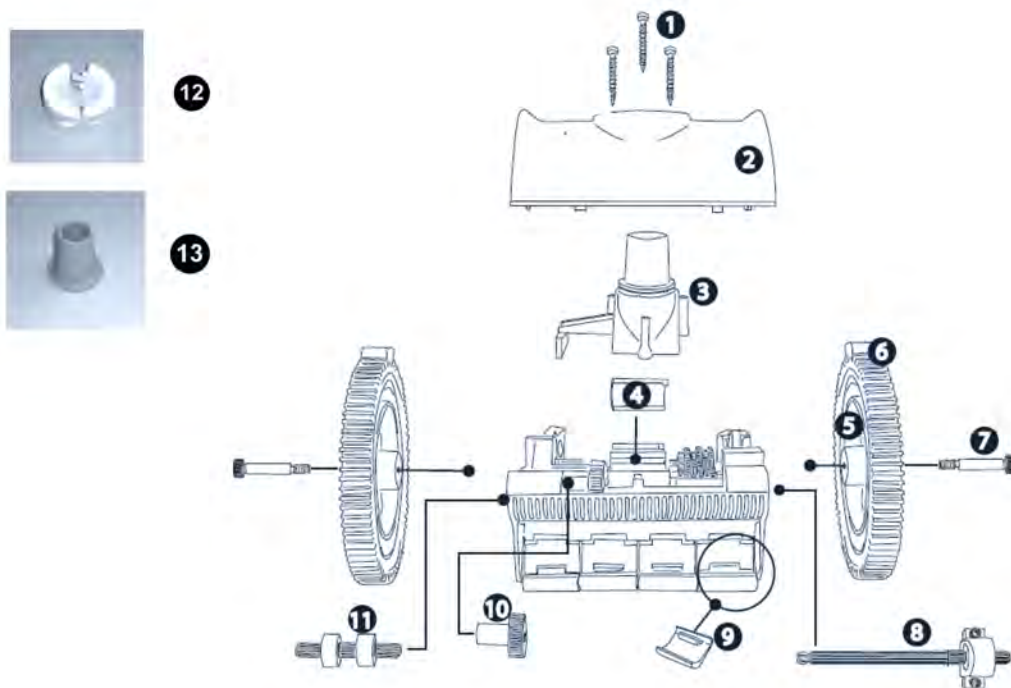


Ersatzteilliste / Spare Parts List			
Pos.	Artikelbezeichnung Part Description	Art. Nr. Ref.No	Preis / Price EUR
1	Selbstreinigendes Elektrodenset - 12g/Stunde Self-cleaning electrode set - model 12g/h	7300576	886,08
1	Selbstreinigendes Elektrodenset - 24g/Stunde Self-cleaning electrode set - model 24g/h	R-059 LS	auf Anfrage on request
2	Elektroden Befestigungsset - alle Modelle Electrode anchor kit - all models	75207	9,96
3	O-Ring - alle Modelle O-ring - all models	74796	35,56
4	Gehäuse - alle Modelle Cell - all models	78932	130,84
5	Verschlussmutter - alle Modelle Closing nut - all models	79370	36,98
6	Verschlusskappe - alle Modelle Contact protector - all models	R-303	auf Anfrage on request
7	Elektrodenhalter - alle Modelle Electrode holder - all models	75661	24,89

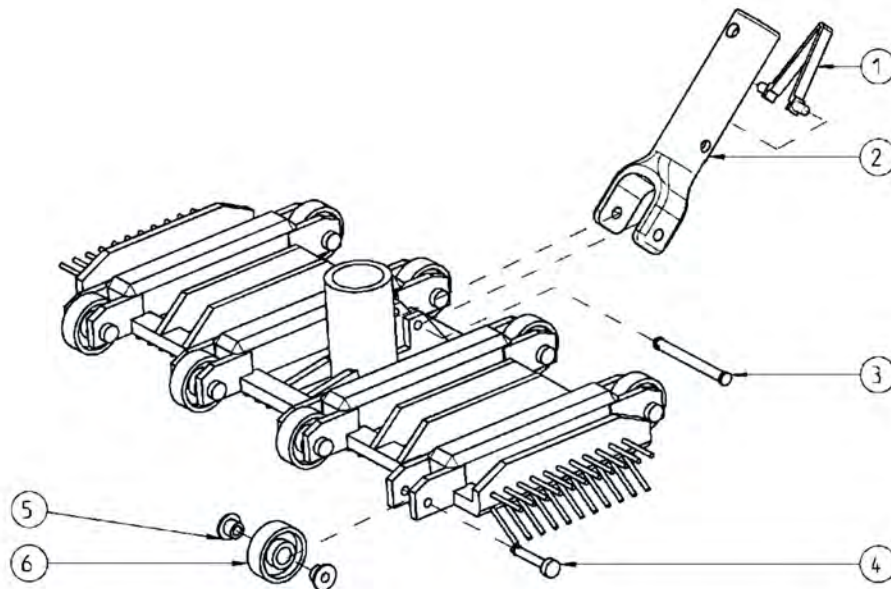


Ersatzteilliste / Spare Parts List			
Pos.	Artikelbezeichnung Part Description	Art. Nr. Ref. No	Preis / Price EUR
1	pH Elektrode <i>PH combination electrode</i>	78981	139,38
2	ORP (Redox) Elektrode <i>Standard ORP (redox) electrode</i>	78982	349,87
	peristaltischer Pumpenschlauch <i>Peristaltic tube</i>	79369	39,82
4	Ansaugfilter <i>Aspiration filter</i>	75652	20,62
5	Einspritzventil 3/8" <i>Injection valve 3/8"</i>	75653	35,58
6	Rollenhalter <i>Roller holder</i>	7300366	35,58
7	transparenter Saugschlauch 4X6 pvc <i>Aspiration tubing 4X6 pvc, meter</i>	74389	6,40
8	weißer Druckschlauch 4X6 pvc <i>Injection tubing 4X6 pvc, meter</i>	74390	6,40
9	pH-Elektrodenhalter <i>pH-Electrode holder</i>	78929 *	24,89
	PVC Verschlusskappe <i>PVC contact protector</i>	78930 *	7,47
11	integrierter Elektrodenhalter <i>integrated electrode holder + injection point</i>	78931 *	81,07
	Stecker für Dosierpumpe R-128 <i>plug for dosing pump R-128</i>	74388	13,51
12	pH7 Kalibrierlösung für Salzelektrolyseanlagen <i>pH7 calibration solution for salt chlorination</i>	7300260	15,64
	pH4 Kalibrierlösung für Salzelektrolyseanlagen <i>pH4 calibration solution for salt chlorination</i>	7300261	15,64
	ORP 470 mV Kalibrierlösung für Salzelektrolyseanlagen <i>ORP 470 mV calibration solution for salt chlorination</i>	7300262	31,29

*) Teile müssen mit TECNO-pH Geräten mitbestellt werden. *Parts have to be ordered with TECNO-pH devices.*

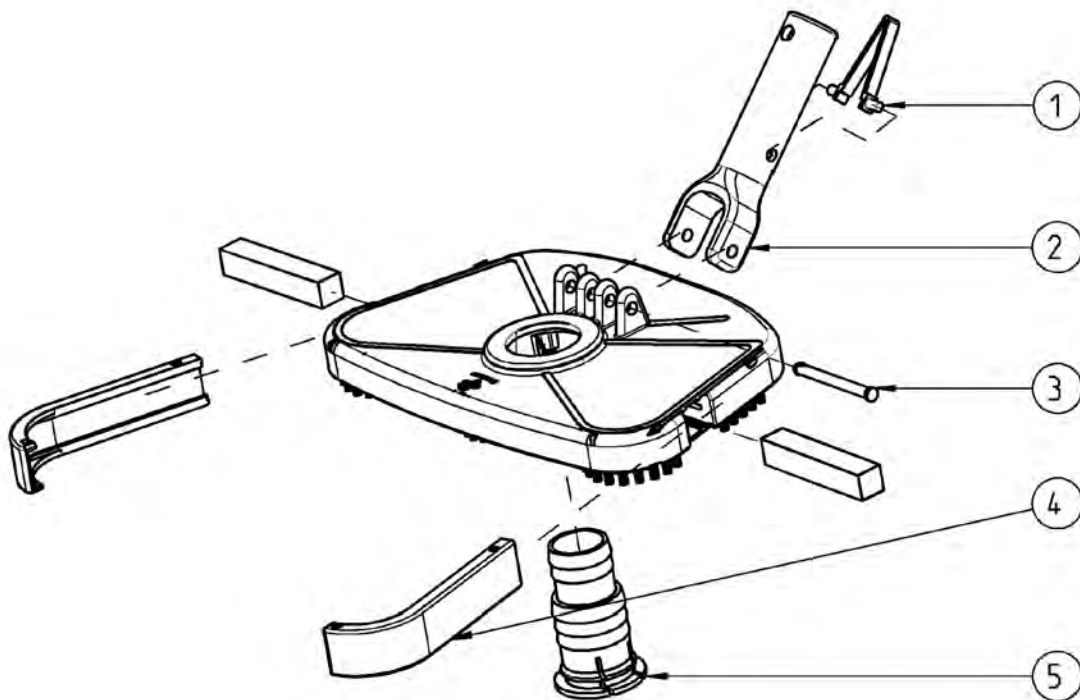


Ersatzteilliste / Spare Parts List			
Pos.	Artikelbezeichnung Part Description	Art.-Nr. ref.-no.	Preis / Price EUR
3	Turbinenabdeckung / Turbine cover	74014	30,72
4	Turbinenrad mit 6 Flaps / Turbine wheel with 6 flaps	74033	48,24
6	Reifen, vorne (1 Stk.) / Wheel, front (1 pc.)	74008	45,32
8	Welle lang (Länge: 168,5 mm), mit Sicherungsring/ Shaft, long (length: 168,5 mm) with fastening bolt	75675	99,76
9.1	Rollenflap-Set, bestehend aus 4 Stk Rollenflap+4 Stk. Bracket / Floor flap set, consisting of 4 pcs floor flaps + 4 pcs brackets	75671	39,79
11	Welle kurz (Länge: 70 mm), mit Sicherungsring mit 2 Kunststofflager für Antrieb Hinterreifen / Shaft short (length: 70 mm), with retaining ring with 2 plastic bearings for back wheel drive	75673	114,80
11	Welle kurz (80 mm), mit Sicherungsring mit 2 Kunststofflager für Antrieb Vorderreifen / Shaft short (80 mm), with retaining ring with 2 plastic bearings for front wheel drive	75674	114,80
12	Schwimmer / Floater	72595	35,67
13	Skimmeranschluss / Skimmer connection	72596	23,50
14	Steckschlauchset 3+1m, inkl. Muffen + 1 Adapter / Plug hose 3+1m, incl. sockets + 1 adapter	170493	78,36
	Unterteil für OC Vac 2fun / base for OC Vac 2fun	77535	254,14



Ersatzteilliste / Spare Parts List			
Pos.	Artikelbezeichnung Part Description	Art.-Nr. ref.-no.	Preis / Price EUR
1	Clip für Teleskopstange / Clip for telescopic rod	150074	1,91
2	Griff für Bodensauger Single Flex / Handle for Vacuum Head Single Flex	170168	8,37
3	Bolzen für Griff Single Flex / Pin for handle Single Flex	150145	0,82

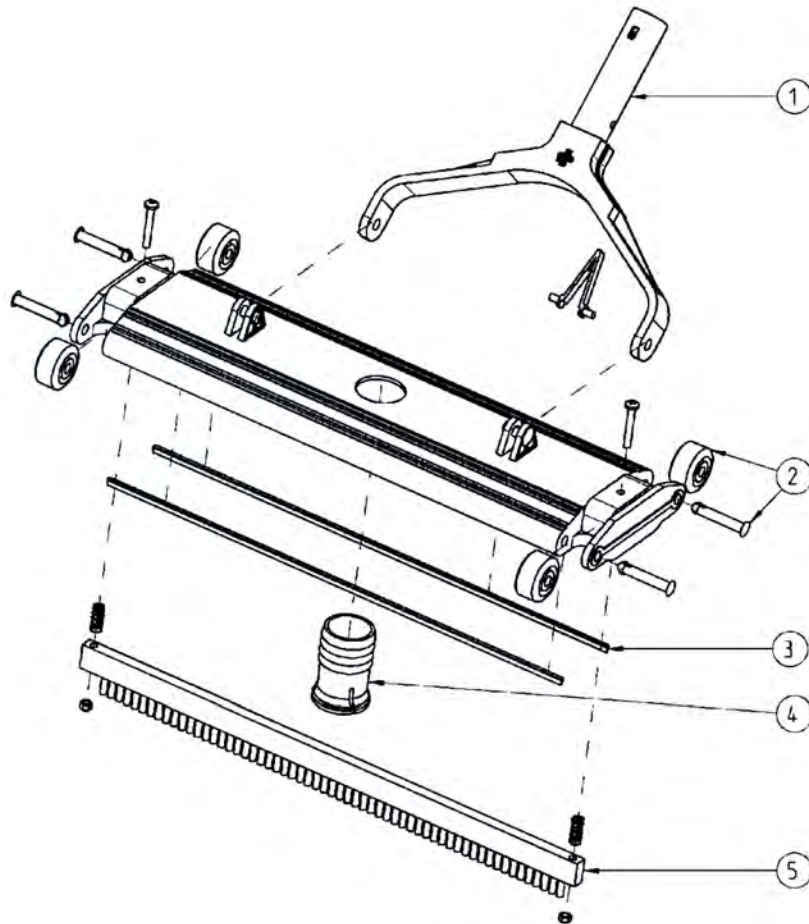
Ersatzteilset / Spare Parts Set			
Artikelbezeichnung Part Description	Art.-Nr. ref.-no.	bestehend aus Pos. consisting of pos.	Preis / Price EUR
Rad für Single Flex komplett / Wheel for Single Flex complete	170182	4, 5, 5, 6	3,58



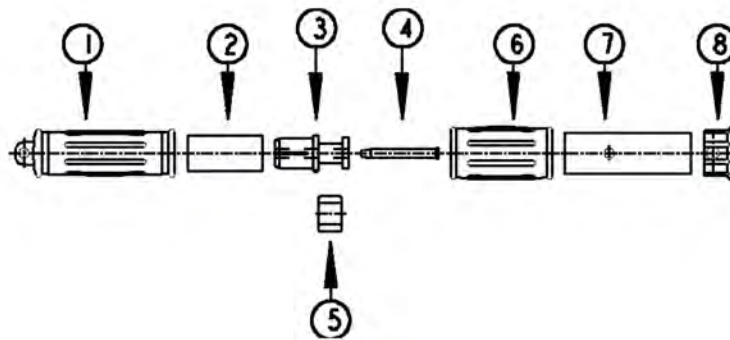
Ersatzteilliste / Spare Parts List			
Pos.	Artikelbezeichnung Part Description	Art.Nr. Ref. No.	Preis / Price EUR
1	Clip für Teleskopstange/ Clip for telescopic rod	150074	1,91
2	Griff, ABS, blau / Handle, ABS, blue	170021	8,37
3	Bolzen für Griff / Bolt for handle	150072	0,82
4	Seitenleiste, ABS, blau / Side-ledge, ABS, blue	150374	5,36
5	Stützen / Spigot	150045	6,10

Ocean® vacuum head VAC heavy type

35 cm / 40 cm

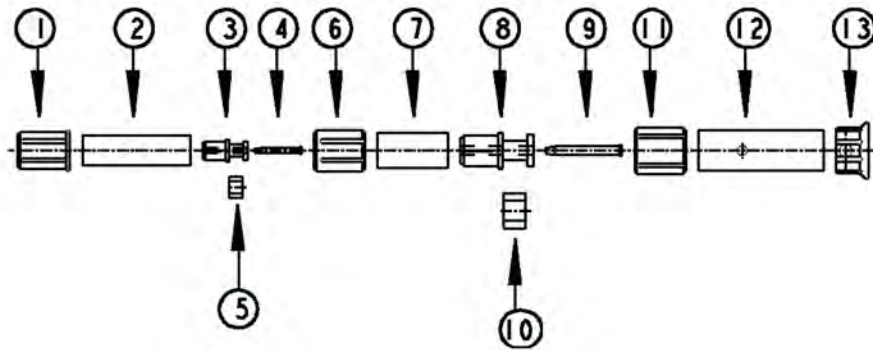


Ersatzteilliste / Spare Parts List			
Pos.	Artikelbezeichnung Part Description	Art.-Nr. ref.-no.	Preis / Price EUR
1	Griff / Handle	75589	12,96
2	Radset weiss incl. Bolzen / Wheel set white incl. bolts	72004	18,83
3	Gummi 1½" / Rubber 1½"	72002	12,10
3	Gummi 2" / Rubber 2"	72003	13,01
4	Schlauchanschluss / Hose connection	75593	12,10
5	Bürste 1½" / Brush 1½"	71968	22,62
5	Bürste 2" / Brush 2"	72013	26,72



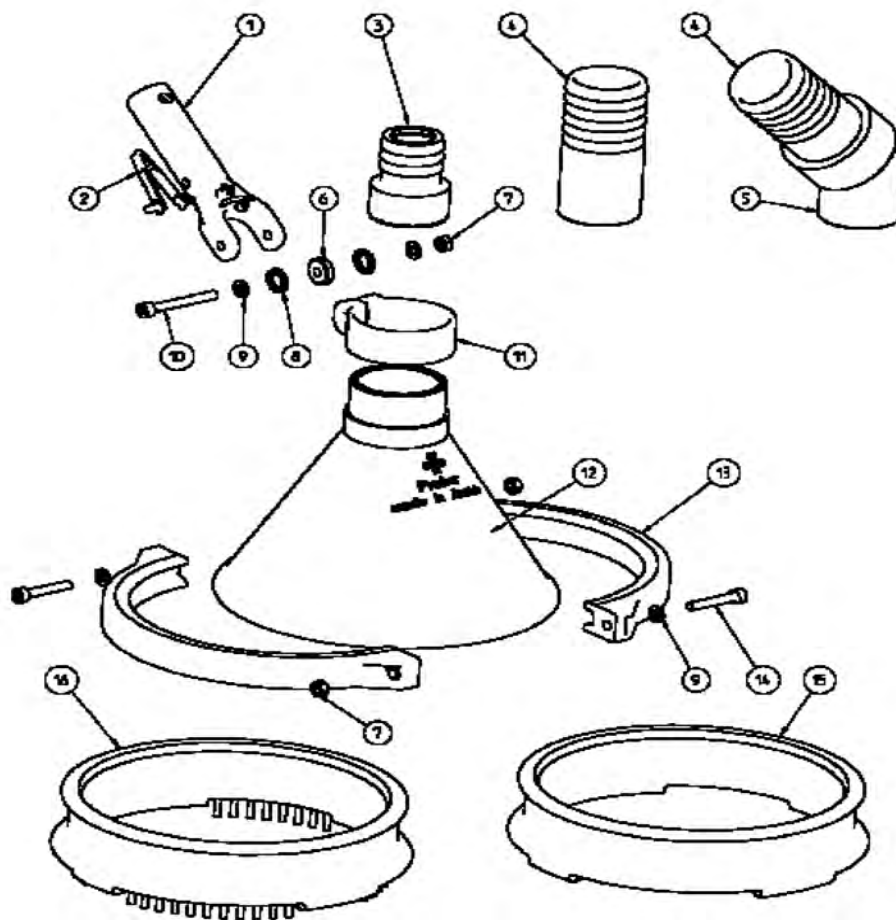
Ersatzteilliste 2-teilig / Spare Parts List 2-parts			
Pos.	Artikelbezeichnung Part Description	Art.-Nr. ref.-no.	Preis / Price EUR
1	Griffhülse für Innenrohr / Handle jacket for inner rod	150360	4,13
6	Griffhülse für Aussenrohr / Handle jacket for outer rod	150361	4,13
8	Einführhülse / Insert jacket for telescopic rod	150362	4,72

Ersatzteilset 2-teilig / Spare Parts Set 2-parts			
Artikelbezeichnung Part Description	Art.-Nr. ref.-no.	bestehend aus Pos. consisting of Pos.	Preis / Price EUR
Exzenter for Innenstange 2-teilig / Exzenter for inner rod 2-parts	170023	3, 4, 5	5,39



Ersatzteilliste 3-teilig / Spare Parts List 3-parts			
Pos.	Artikelbezeichnung Part Description	Art.-Nr. ref.-no.	Preis / Price EUR
1	Endhülse d24 / Plug for telescopic rod d24	150016	2,80
6	Endhülse d28 / Plug for telescopic rod d28	150017	2,80
11	Endhülse d32 / Plug for telescopic rod d32	150018	2,80
13	Einführhülse / Insert jacket for telescopic rod	150362	4,72

Ersatzteilset 3-teilig / Spare Parts Set 3-parts			
Artikelbezeichnung Part Description	Art.-Nr. ref.-no.	bestehend aus Pos. consisting of Pos.	Preis / Price EUR
Exzenter für Innenstange 3-teilig / Exzenter for inner rod 3-parts	170024	3,4,5	5,39
Exzenter für Innenstange 2-teilig / Exzenter for inner rod 2-part	170023	8,9,10	5,39



Ersatzteilliste / Spare Parts List			
Pos.	Artikelbezeichnung Part Description	Art.Nr. ref.-no.	Preis / Price EUR
1	Griff + Clip / Handle + clip	170941	60,98
3	Schlauchtülle ABS schwarz d39 mm / hose nozzle ABS black d39 mm	150007	1,37
4	Druckschlauchtülle PVC grau d50 mm / Hose nozzle PVC grey d50 mm	70976	4,20
5	Reduzierwinkel 45° grau Klebemuffe/Klebestutzen d= 50-40-50 / Elbow 45° reduced PVC grey solvent socket/solvent spigot d= 50-40-50	71315	3,97
15	Saugring / Suction ring	190146	180,67
16	Saugring DeLuxe / Suction ring DeLuxe	190145	201,02
	Klemmsset für Mulmsauger / clamping set	170942	42,18

Архангельск (8182)63-90-72
Астана (7172)727-132
Астрахань (8512)99-46-04
Барнаул (3852)73-04-60
Белгород (4722)40-23-64
Брянск (4832)59-03-52
Владивосток (423)249-28-31
Волгоград (844)278-03-48
Вологда (8172)26-41-59
Воронеж (473)204-51-73
Екатеринбург (343)384-55-89
Иваново (4932)77-34-06

Ижевск (3412)26-03-58
Иркутск (395)279-98-46
Казань (843)206-01-48
Калининград (4012)72-03-81
Калуга (4842)92-23-67
Кемерово (3842)65-04-62
Киров (8332)68-02-04
Краснодар (861)203-40-90
Красноярск (391)204-63-61
Курск (4712)77-13-04
Липецк (4742)52-20-81
Киргизия (996)312-96-26-47

Магнитогорск (3519)55-03-13
Москва (495)268-04-70
Мурманск (8152)59-64-93
Набережные Челны (8552)20-53-41
Нижний Новгород (831)429-08-12
Новокузнецк (3843)20-46-81
Новосибирск (383)227-86-73
Омск (3812)21-46-40
Орел (4862)44-53-42
Оренбург (3532)37-68-04
Пенза (8412)22-31-16
Казахстан (772)734-952-31

Пермь (342)205-81-47
Ростов-на-Дону (863)308-18-15
Рязань (4912)46-61-64
Самара (846)206-03-16
Санкт-Петербург (812)309-46-40
Саратов (845)249-38-78
Севастополь (8692)22-31-93
Симферополь (3652)67-13-56
Смоленск (4812)29-41-54
Сочи (862)225-72-31
Ставрополь (8652)20-65-13

Сургут (3462)77-98-35
Тверь (4822)63-31-35
Томск (3822)98-41-53
Тула (4872)74-02-29
Тюмень (3452)66-21-18
Ульяновск (8422)24-23-59
Уфа (347)229-48-12
Хабаровск (4212)92-98-04
Челябинск (351)202-03-61
Череповец (8202)49-02-64
Ярославль (4852)69-52-93